



US00D325694S

United States Patent [19]

[11] Patent Number: **Des. 325,694**

Van Dyn Hoven et al.

[45] Date of Patent: **** Apr. 28, 1992**

[54] BOAT HOOK OR THE LIKE

[76] Inventors: **Raymond Van Dyn Hoven**, 809 W. Wisconsin Ave.; **Marvin A. Hietpas**, 115 W. Eighth, both of Kaukauna, Wis. 54130

[**] Term: **14 Years**

[21] Appl. No.: **405,269**

[22] Filed: **Sep. 11, 1989**

[52] U.S. Cl. **D8/356**

[58] Field of Search 248/528, 125, 157, 514, 248/515; 403/104, 373; 43/15, 24, 25.2; D8/356; D12/317

[56] References Cited

U.S. PATENT DOCUMENTS

- 414,871 12/1889 Schlueter et al. .
- 597,805 1/1889 Lownes .
- 2,347,718 5/1944 Terry .
- 2,715,292 8/1955 Williams .
- 3,048,139 8/1962 Duckett .
- 3,098,462 7/1963 Holzman .
- 3,604,069 9/1971 Jensen .
- 3,733,097 5/1973 Hank .
- 3,756,096 9/1973 Bolden .
- 3,913,515 10/1975 Hérnsjo .
- 4,004,539 1/1977 Wesson .

FOREIGN PATENT DOCUMENTS

- 2814647.6 11/1979 Fed. Rep. of Germany .
- 434617 9/1935 United Kingdom .

OTHER PUBLICATIONS

Defender Industries, Inc., 1982, p. 108, boat hook, located under the heading, 'Boat Hooks & Holders' middle of page-left side.

E&B Discount Marine Supplies, 1983 p. 96 automatic windlass located in middle of page (copy in group 290).

E&B Discount Marine Supplies, 1983, p. 84, telescoping boat hooks-right hand side of page.

Primary Examiner—Wallace R. Burke

Assistant Examiner—H. Baynham

Attorney, Agent, or Firm—Wheeler Law Firm

[57] CLAIM

The ornamental design of a boat hook or the like, as shown and described.

DESCRIPTION

FIG. 1 is a left side elevational view of a boat hook or the like showing our new design;

FIG. 2 is a front elevational view thereof;

FIG. 3 is a rear elevational view thereof;

FIG. 4 is a bottom plan view thereof;

FIG. 5 is a right side elevational view thereof;

FIG. 6 is a top plan view thereof;

FIG. 7 is a front elevational view thereof with the upper jaw removed;

FIG. 8 is a front perspective view thereof;

FIG. 9 is a rear perspective view thereof; and,

FIG. 10 is a bottom perspective view thereof.

The rod member is shown broken away to indicate indeterminate length.

The rod member is absent from the bottom plan view of FIG. 4 for ease of illustration.

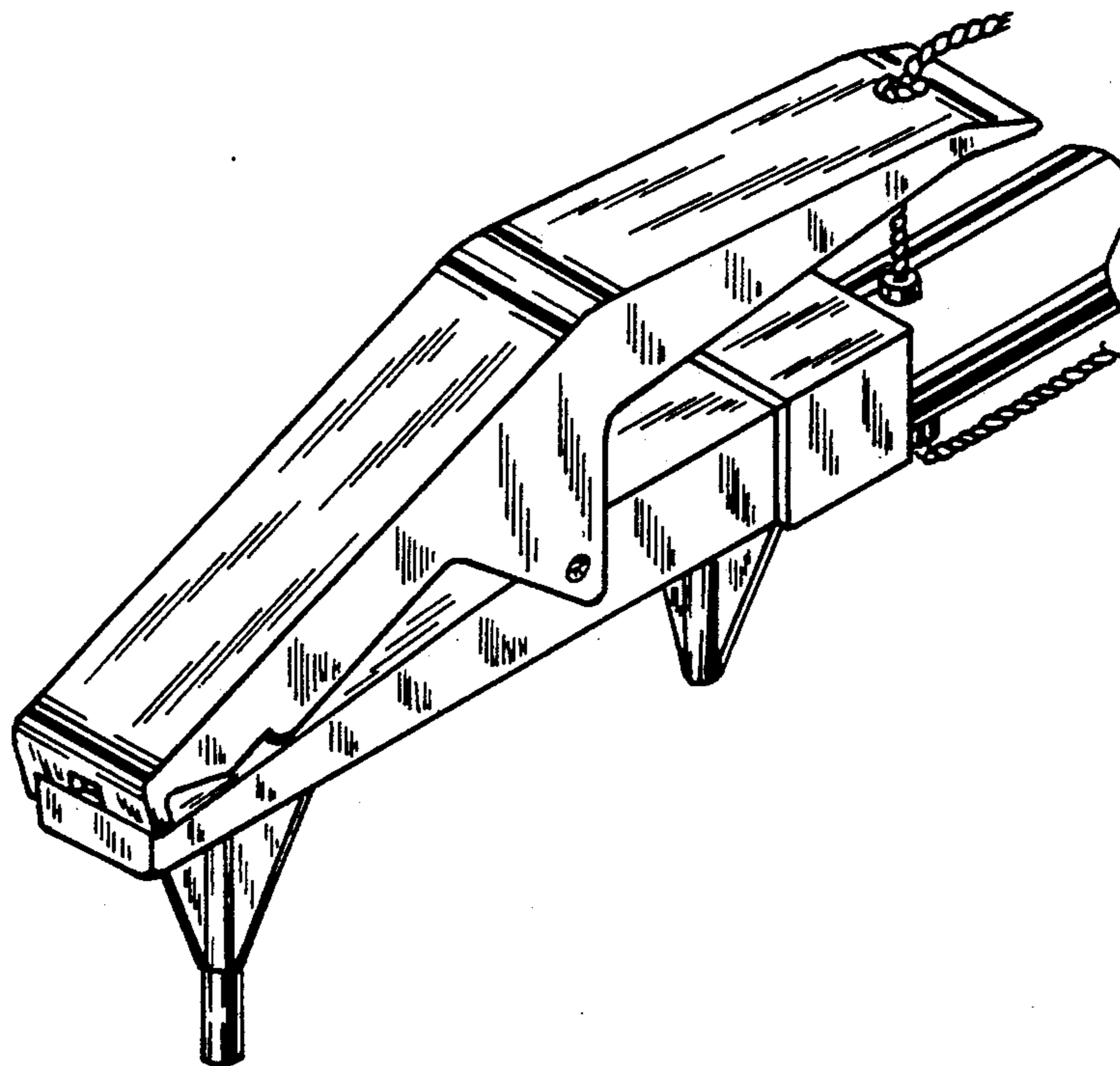




FIG. 2

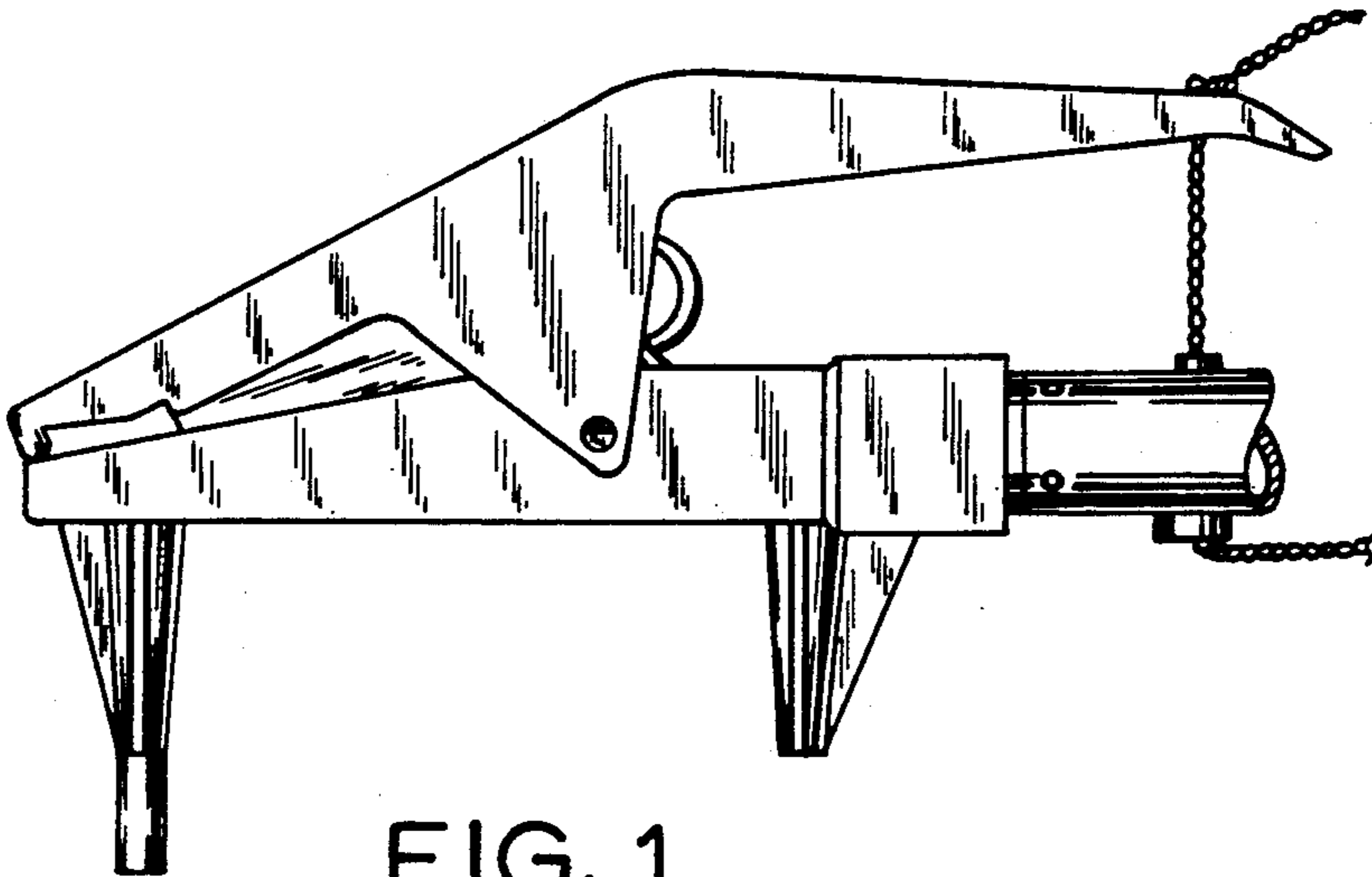


FIG. 1

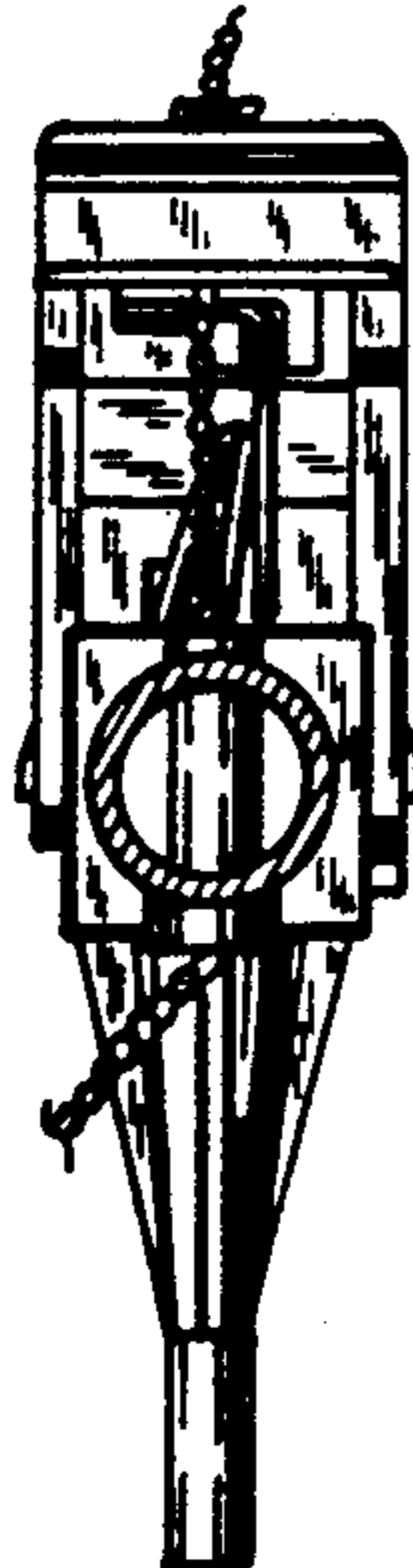


FIG. 3

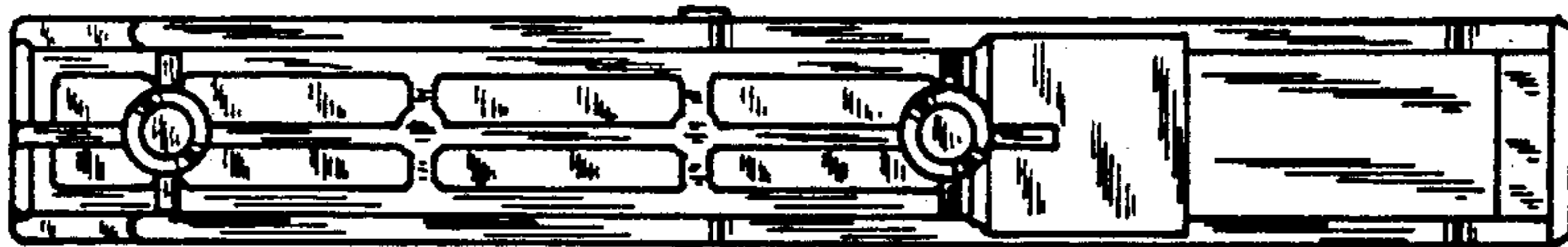


FIG. 4

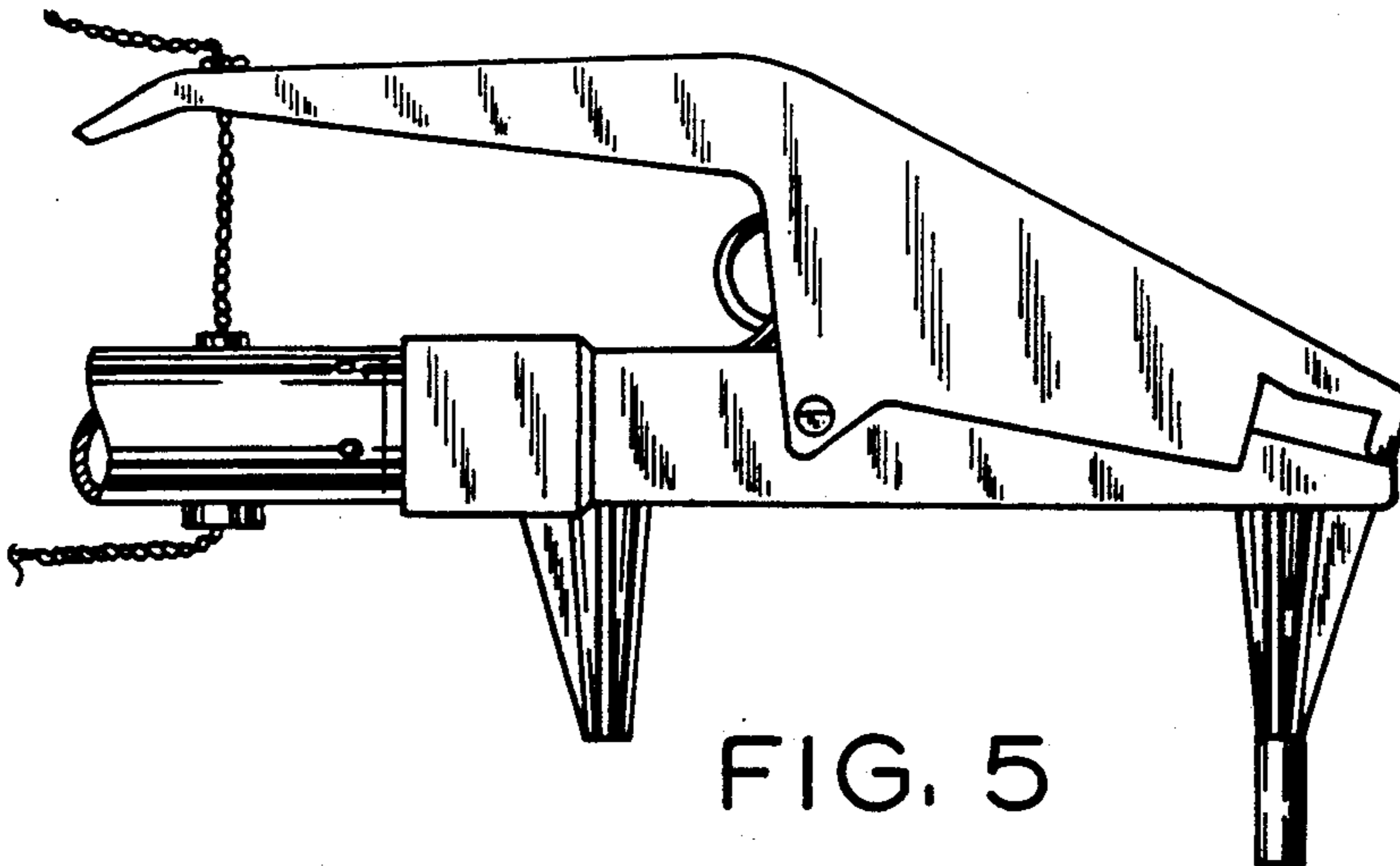


FIG. 5

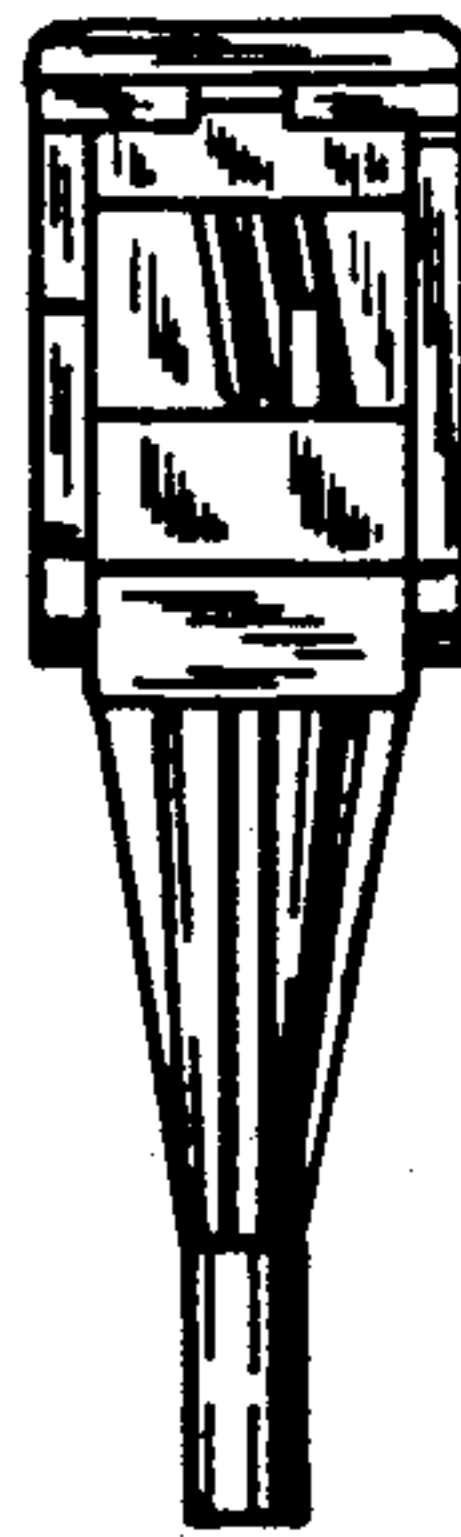


FIG. 7



FIG. 6

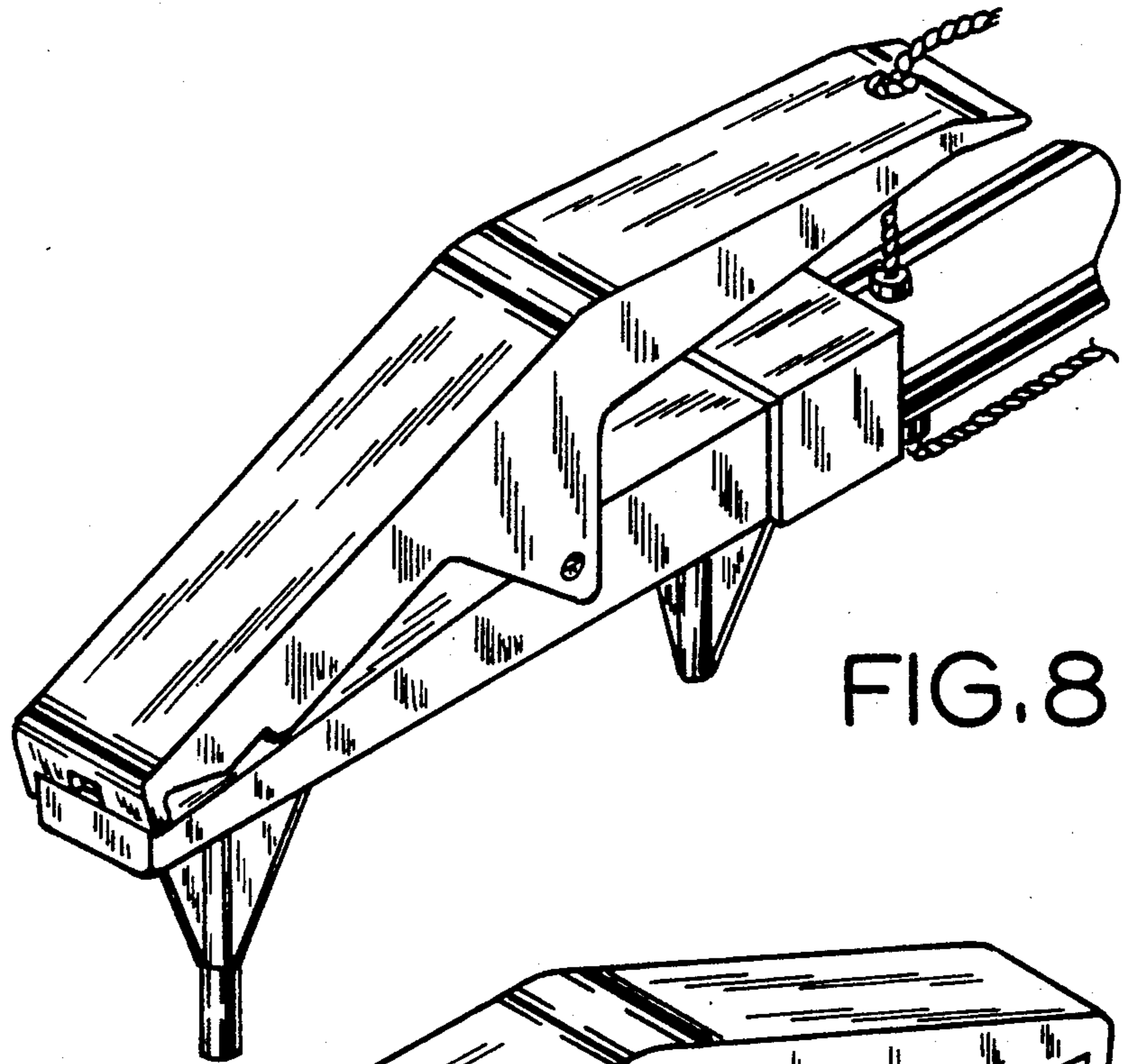


FIG. 8

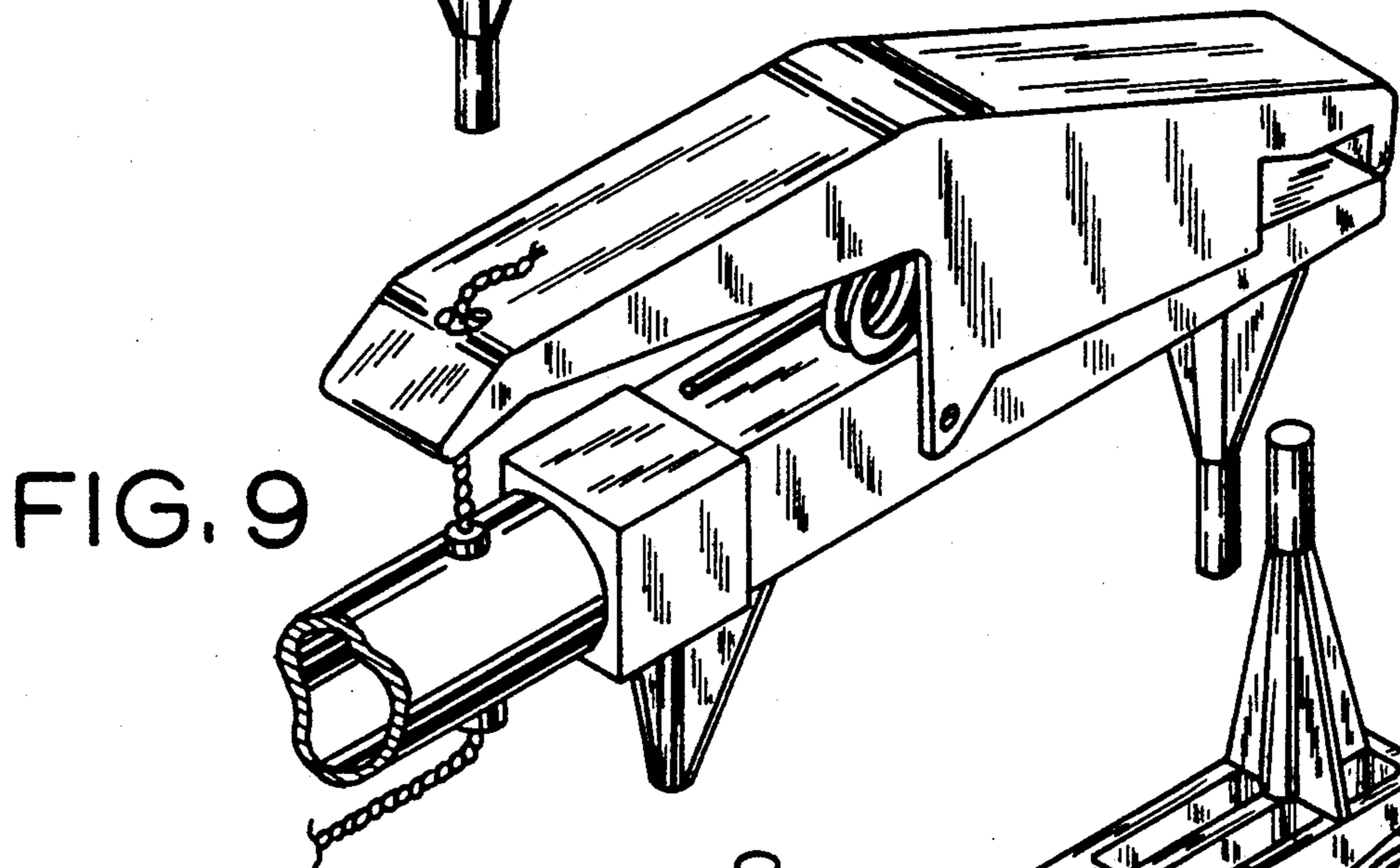


FIG. 9

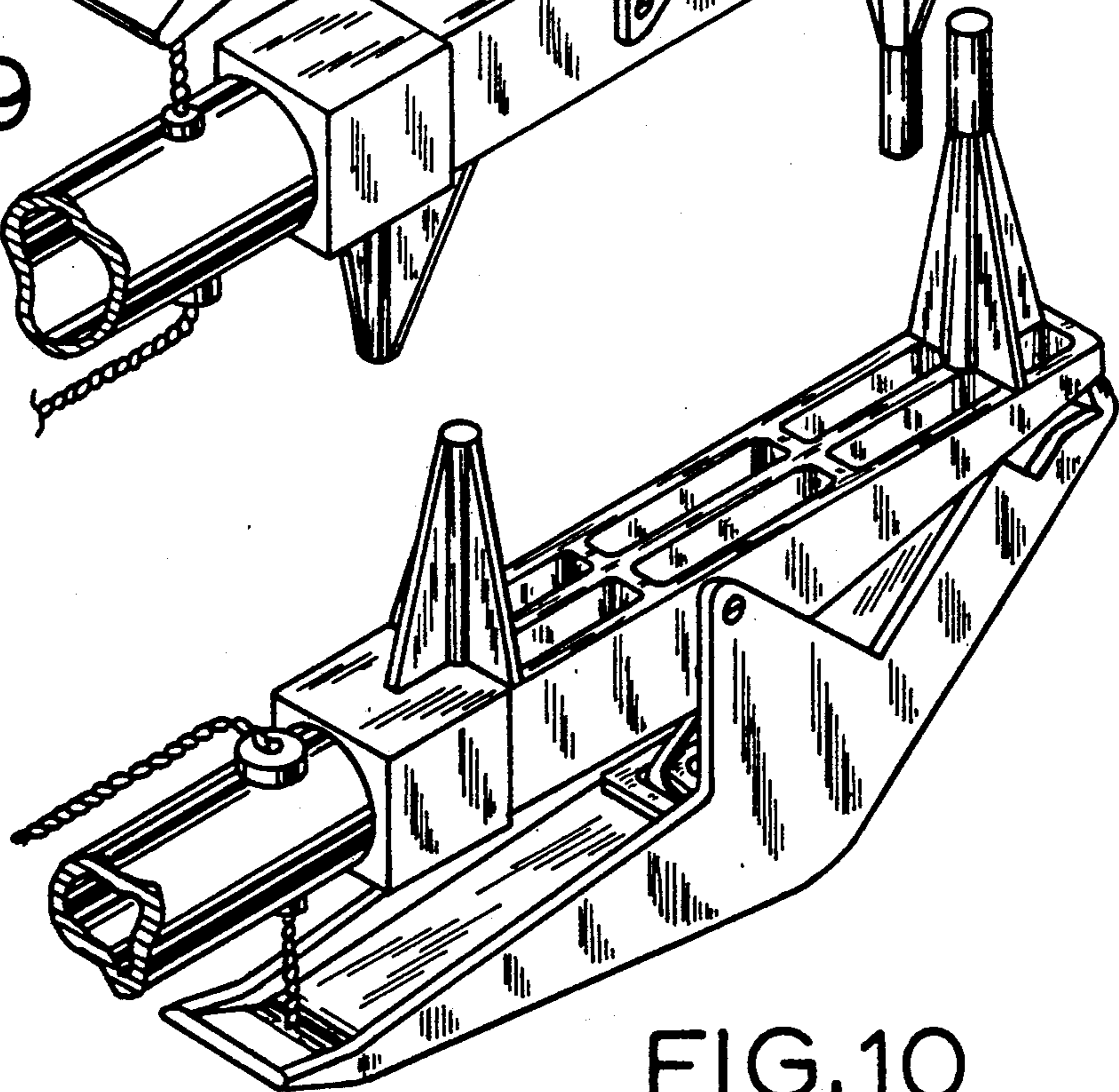


FIG. 10