



US00D325692S

# United States Patent [19]

[11] Patent Number: **Des. 325,692**

Johnson

[45] Date of Patent: **\*\* Apr. 28, 1992**

## [54] SCREWDRIVER HANDLE

[76] Inventor: **Preston Johnson**, 73418 Pinyon St., Palm Desert, Calif. 92260

[\*\*] Term: **14 Years**

[21] Appl. No.: **469,827**

[22] Filed: **Jan. 24, 1990**

[52] U.S. Cl. .... **D8/83**

[58] Field of Search ..... **D8/82, 83, 84, 85, 107; 81/177.1, 177.85, 436, 489**

## [56] References Cited

### U.S. PATENT DOCUMENTS

D. 153,193	3/1949	Wandner .	
D. 233,406	10/1974	Whiteford .....	D8/82
D. 248,922	8/1978	Osak, Jr. ....	D8/82
D. 271,617	11/1983	Leonard .	
D. 271,937	12/1983	Combs .	
D. 276,211	11/1984	Lee .....	D8/107
D. 287,456	12/1986	Kobos .....	D8/24
D. 292,771	11/1987	Kim .....	D8/107
D. 309,089	7/1990	Tsuji .....	D8/82
312,221	2/1885	Pruim .	
348,765	9/1886	Neal .	
2,482,350	9/1949	Leniz .	
2,788,817	4/1957	Leniz .	
4,791,837	12/1988	Main .....	81/177.1

## OTHER PUBLICATIONS

Malco Tools Cat., 1980, p. 27, Awl handle.

*Primary Examiner*—Bernard Ansher

*Assistant Examiner*—Philip Hyder

*Attorney, Agent, or Firm*—Dennison, Meserole, Pollack & Scheiner

## [57] CLAIM

The ornamental design for a screwdriver handle, as shown and described.

## DESCRIPTION

FIG. 1 is a front elevational view of a screwdriver handle showing my new design;

FIG. 2 is a side elevational view thereof, both sides appearing the same;

FIG. 3 is a top plan view thereof;

FIG. 4 is a bottom plan view thereof;

FIG. 5 is a rear elevational view thereof;

FIG. 6 is a top front perspective view thereof;

FIG. 7 is a top plan view of a second modified embodiment;

FIG. 8 is a side elevational view of FIG. 7, all sides appearing the same;

FIG. 9 is a bottom plan view of FIG. 7; and,

FIG. 10 is a side elevational view of a third modified embodiment, all sides appearing the same, the top and bottom plan views appearing the same as FIGS. 7 and 9.

The broken line showing of the bit is for illustrative purposes only and forms no part of the claimed design.

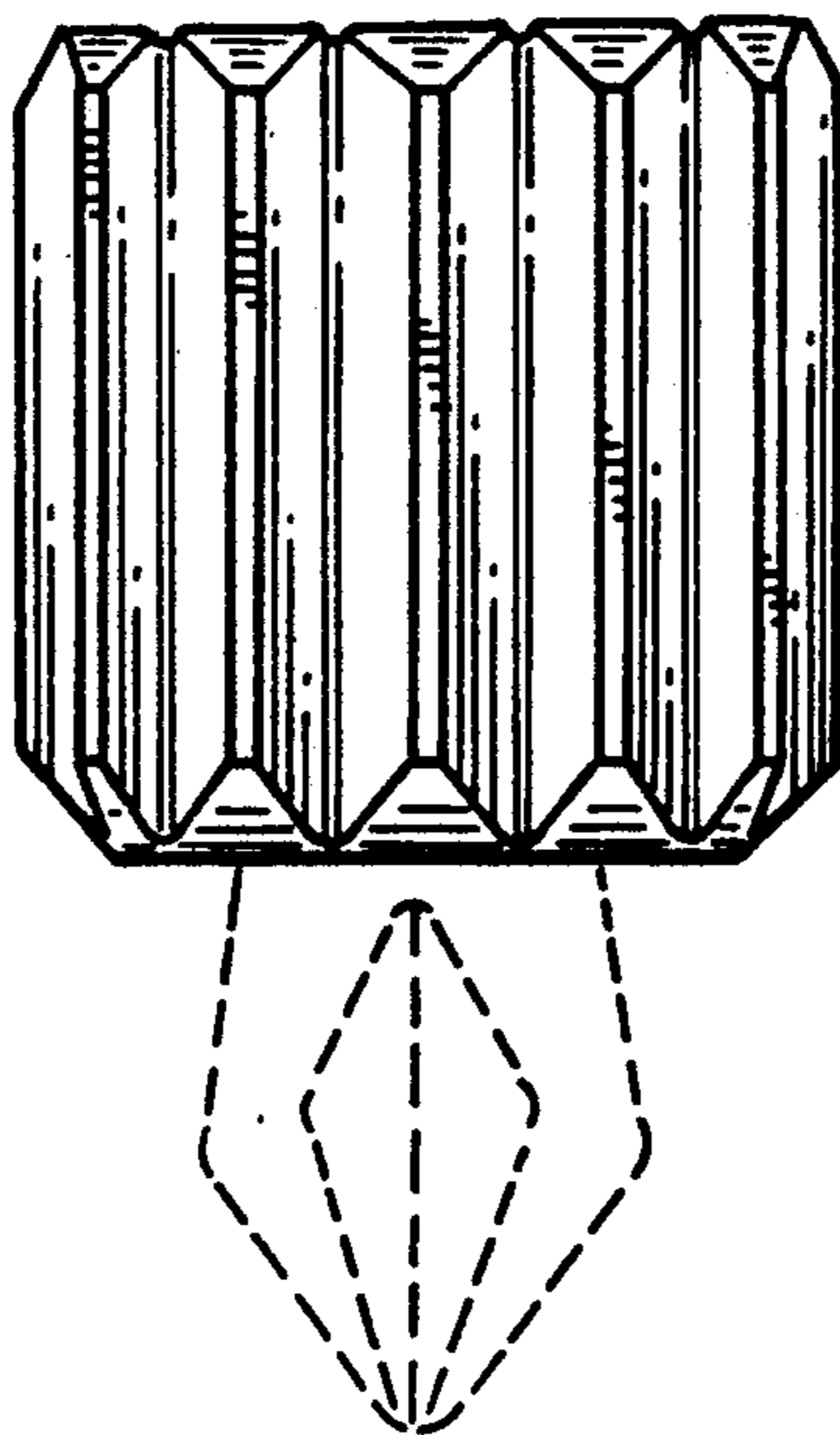


FIG. 1

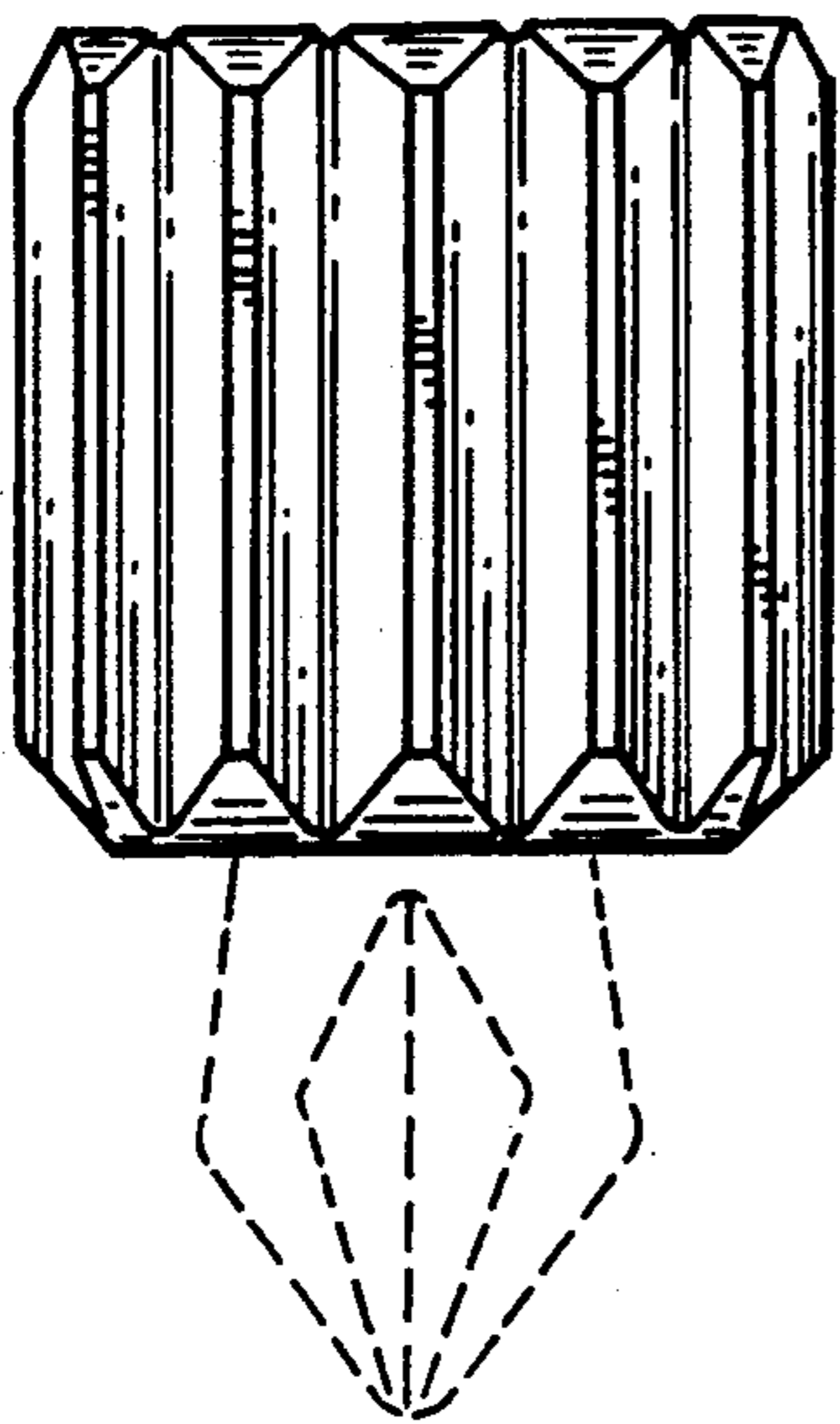


FIG. 2

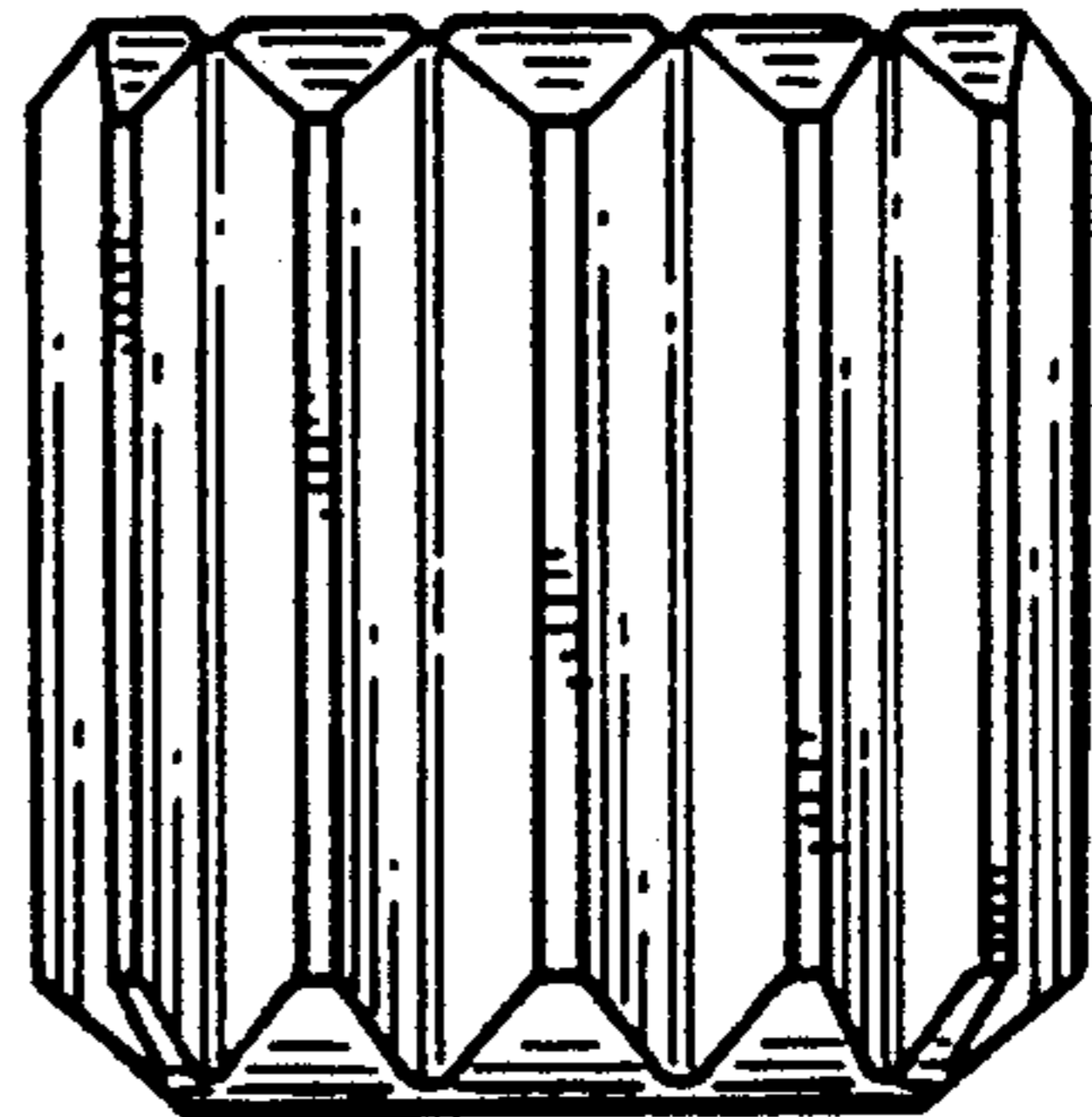


FIG. 6

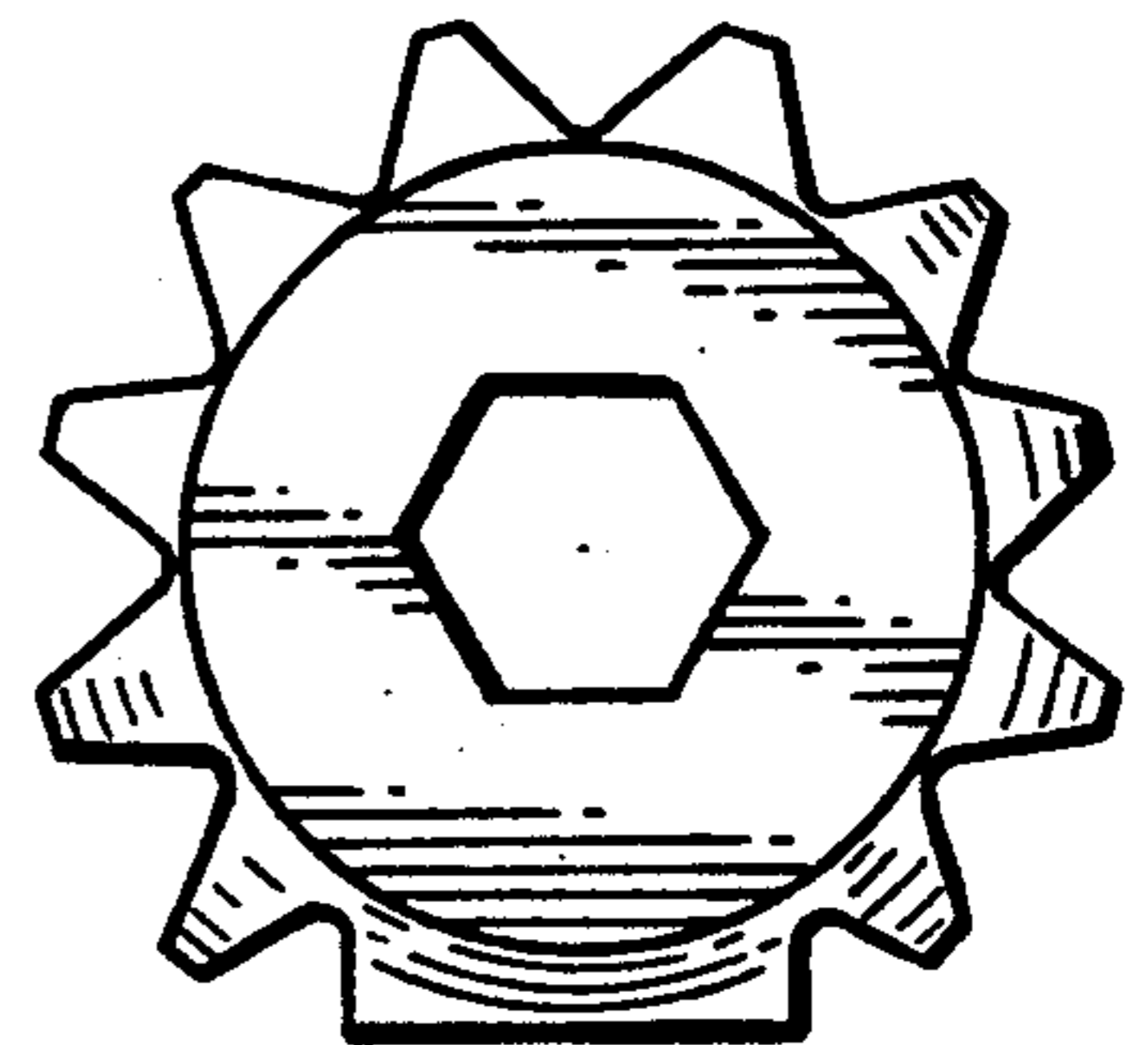
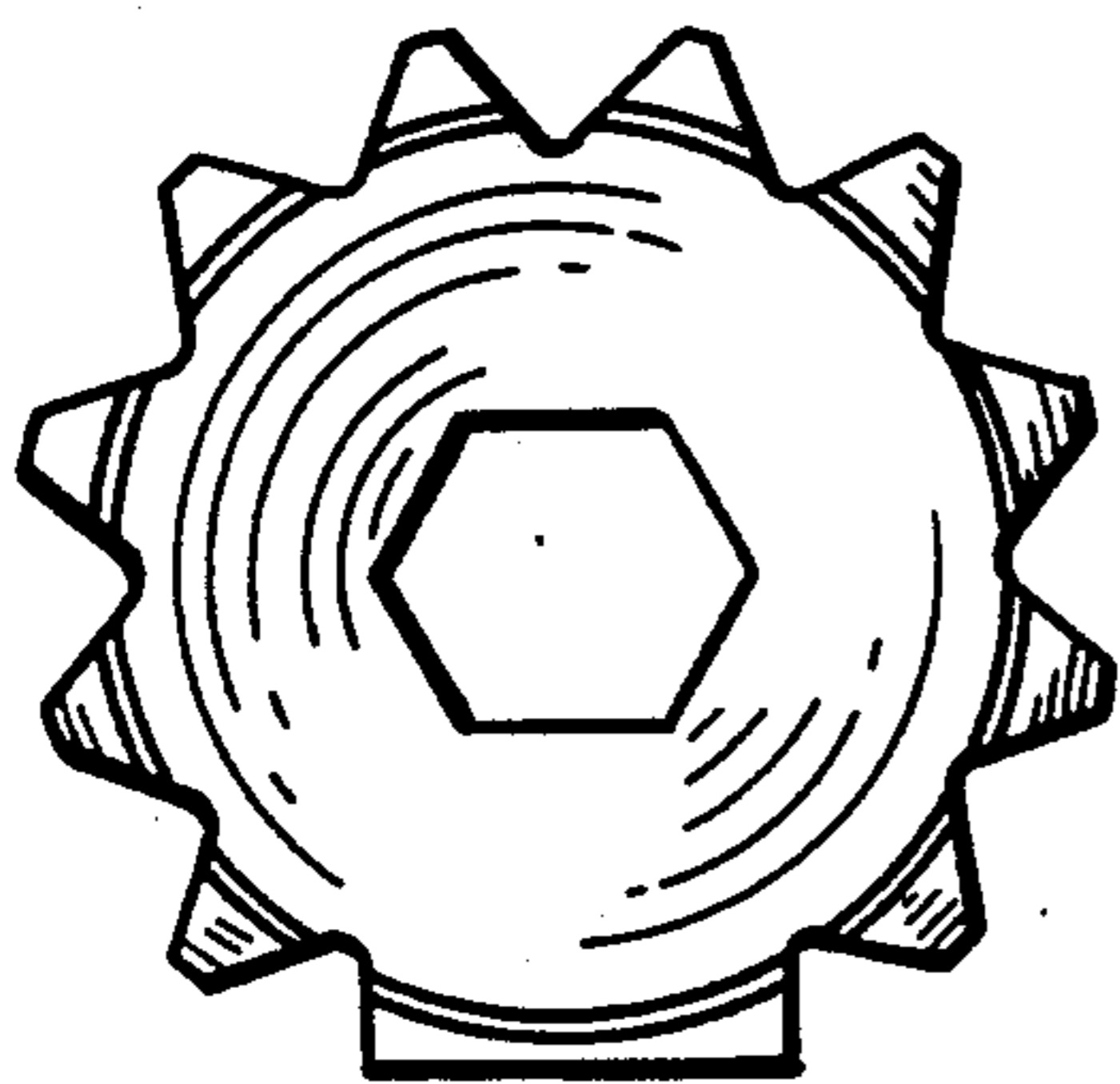
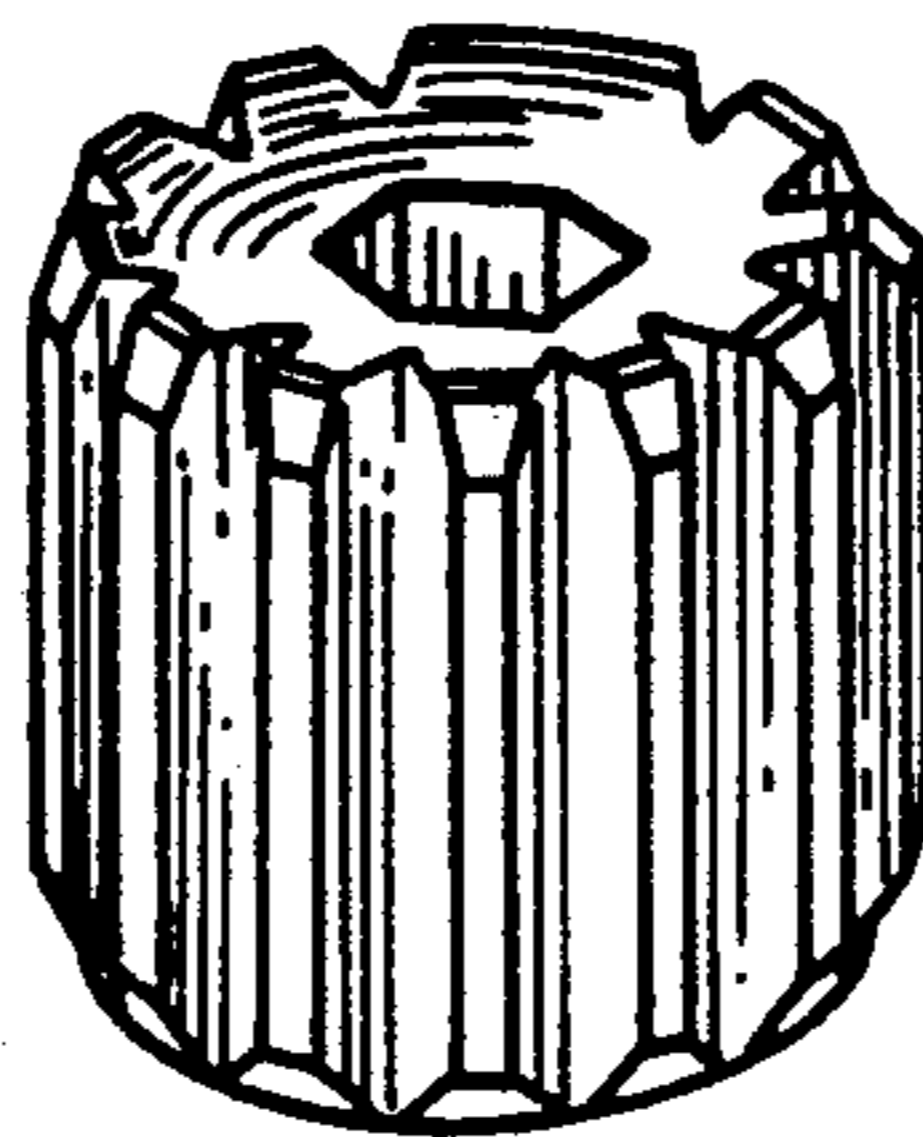


FIG. 3

FIG. 4

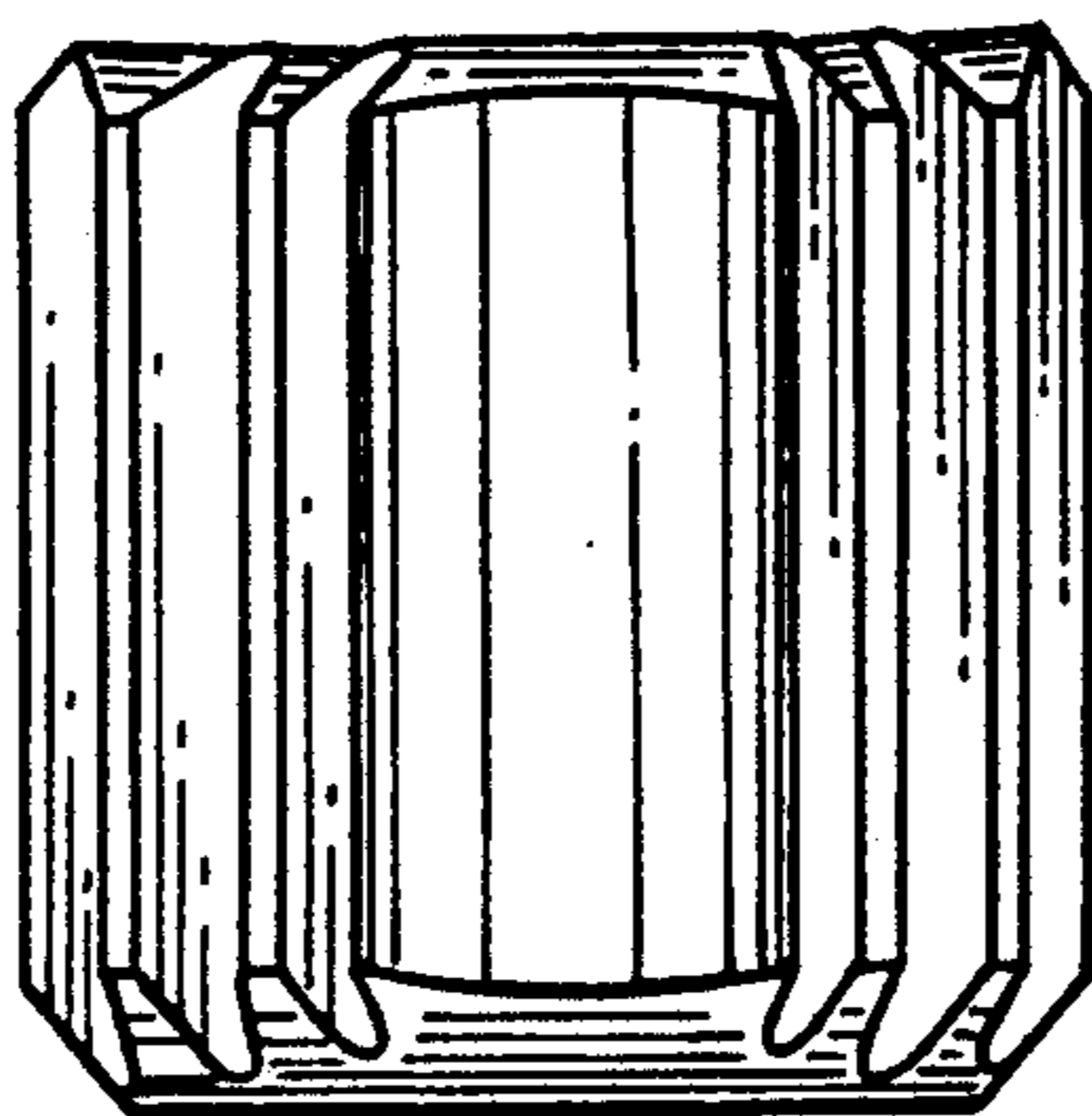


FIG. 5

FIG. 7

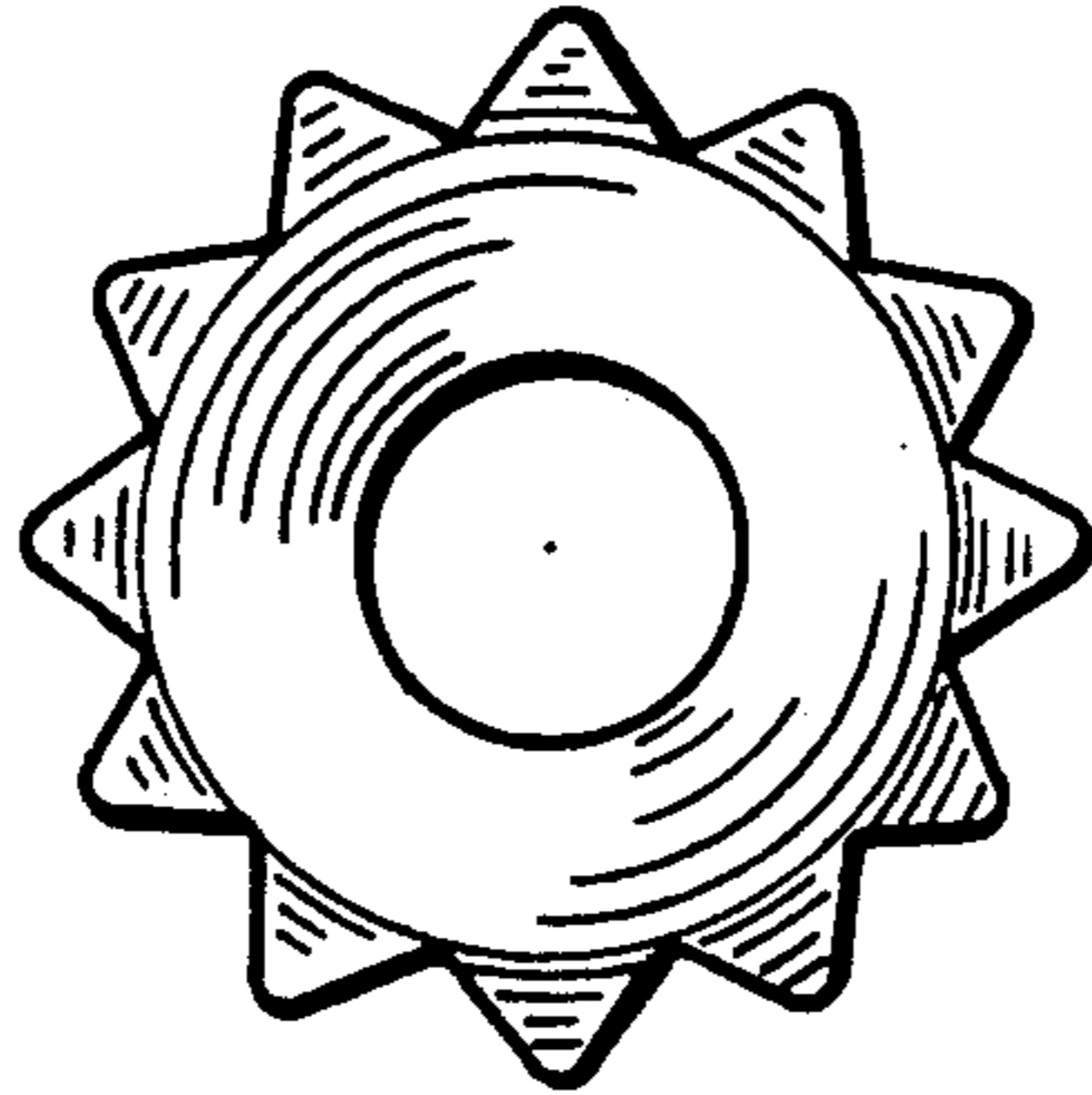


FIG. 8

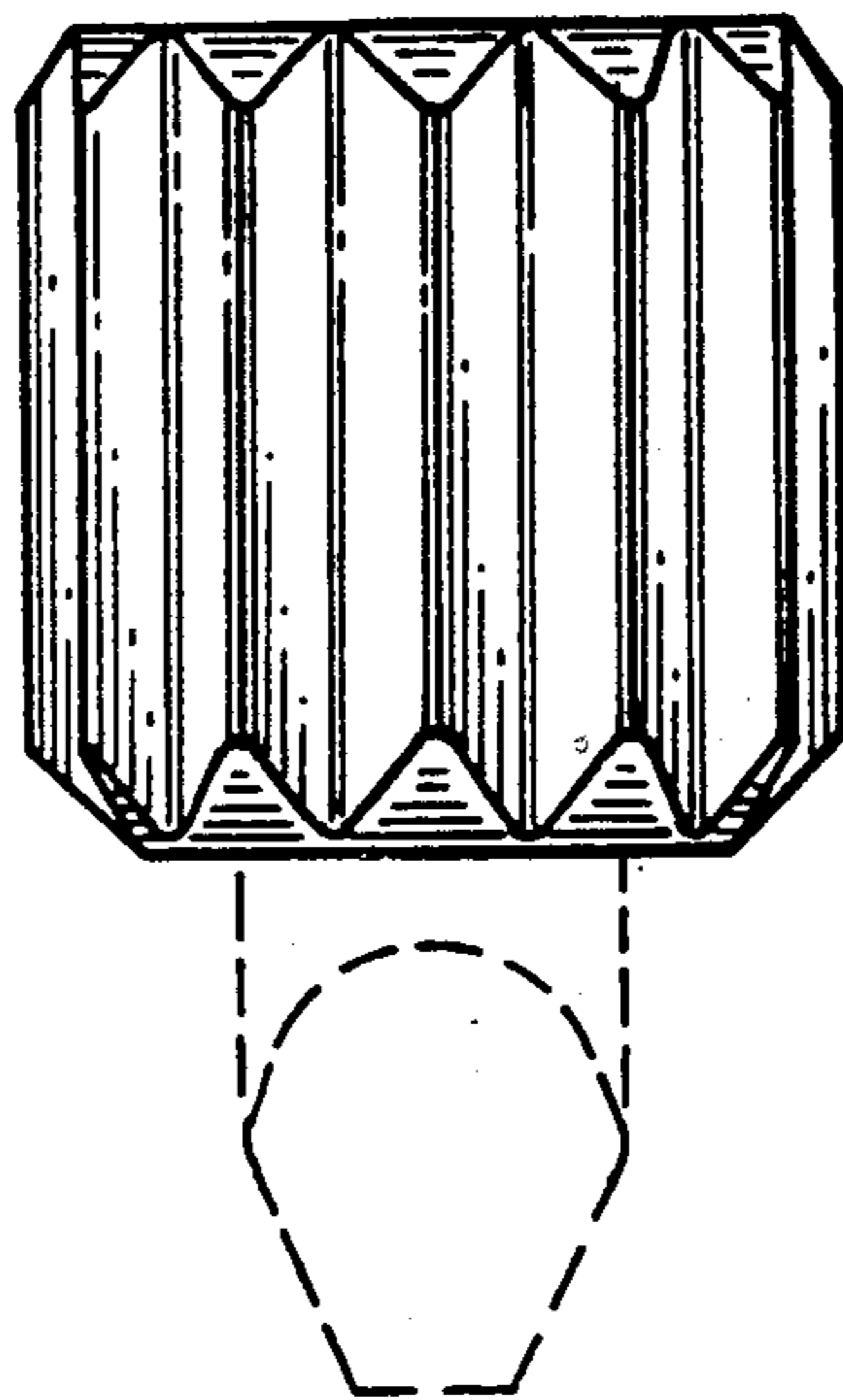


FIG. 9

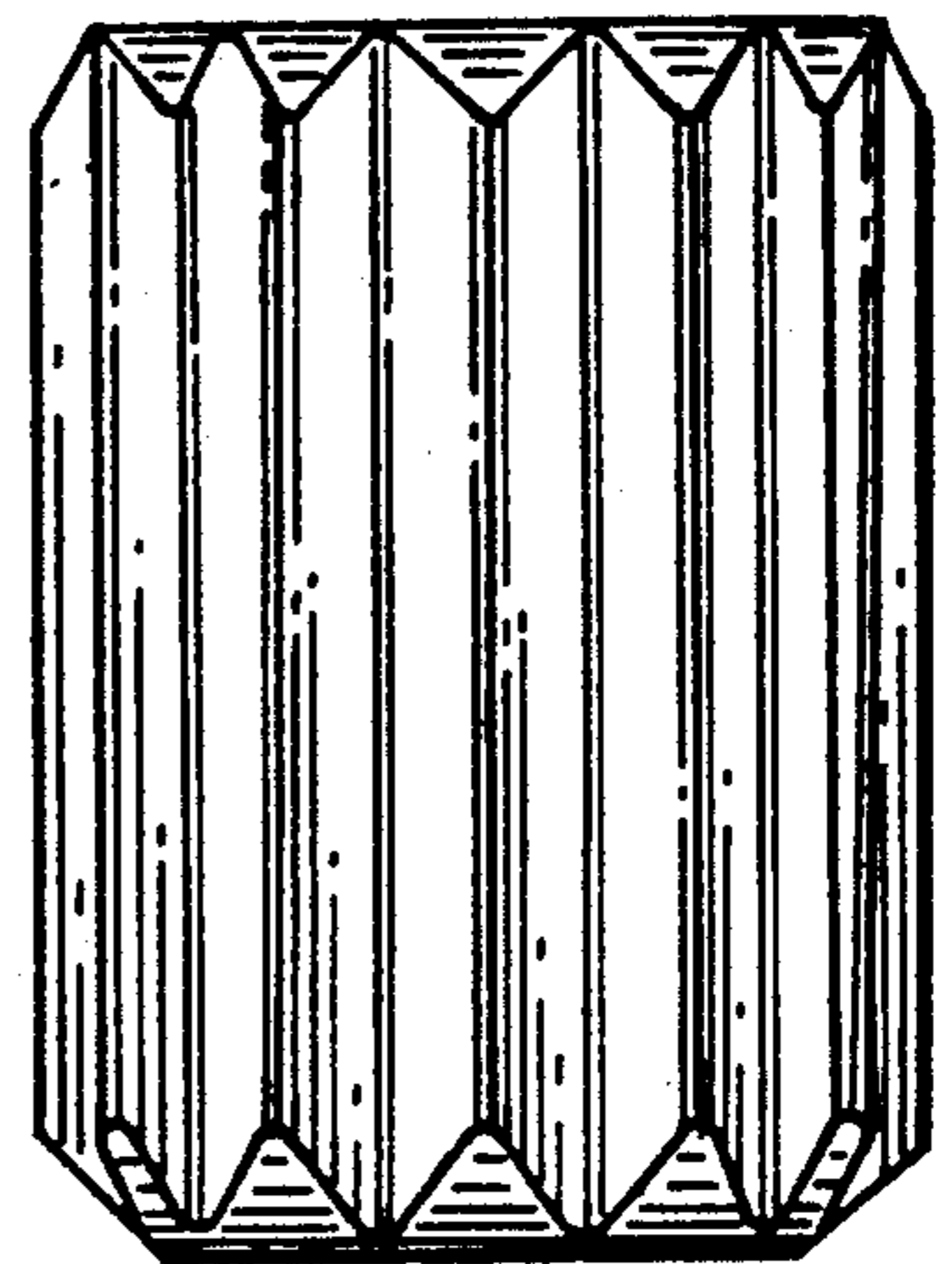
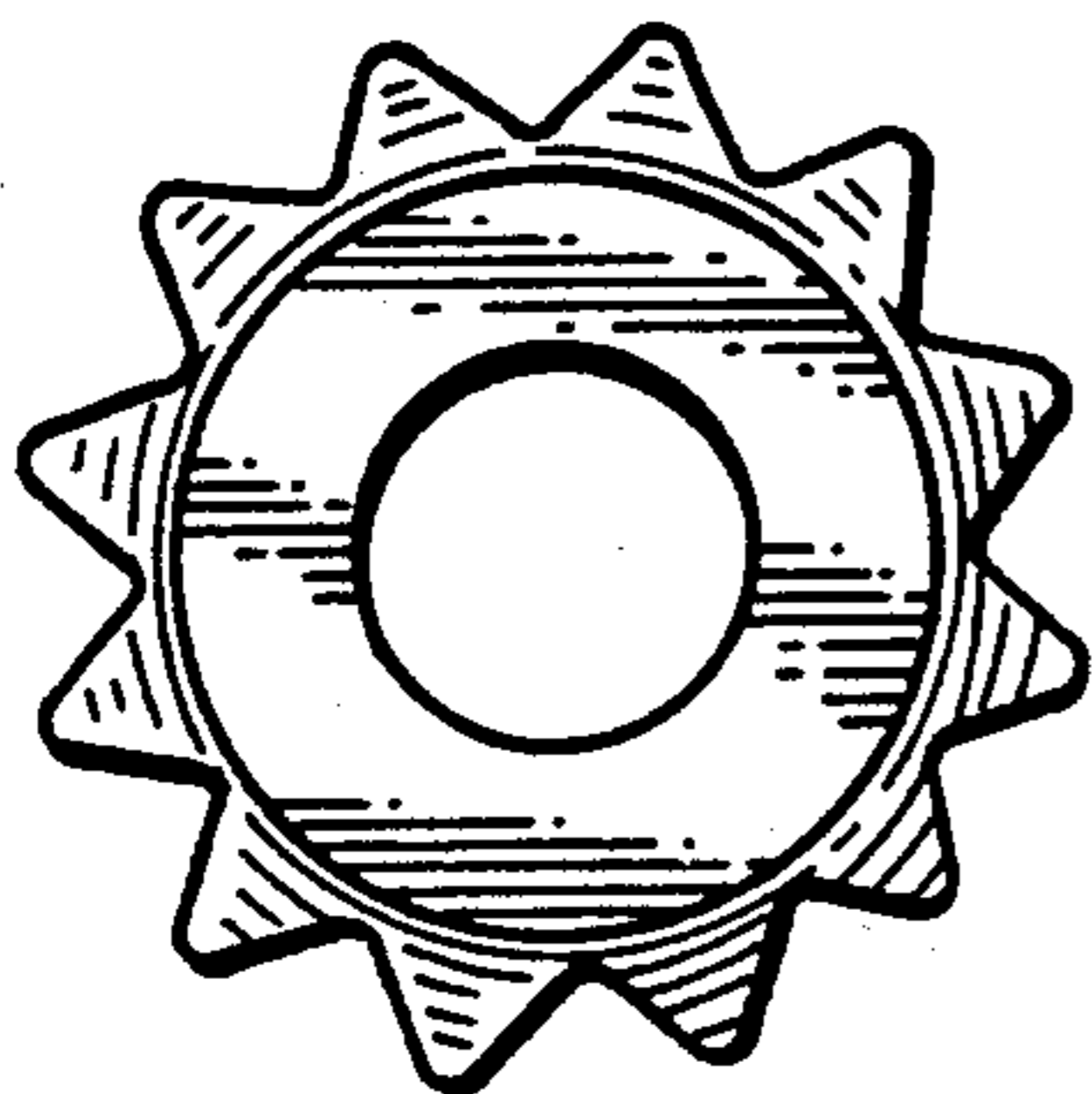


FIG. 10