



US00D325691S

# United States Patent [19]

[11] Patent Number: Des. 325,691

Gakhar et al.

[45] Date of Patent: \*\* Apr. 28, 1992

[54] CAULKING GUN

[75] Inventors: Ved P. Gakhar; Wilfred M. McCord; David S. Hubbard, all of Louisville, Ky.

[73] Assignee: Vermont American Corporation, Louisville, Ky.

[\*\*] Term: 14 Years

[21] Appl. No.: 406,133

[22] Filed: Sep. 12, 1989

[52] U.S. Cl. .... D8/70

[58] Field of Search ..... D8/61, 70; 222/325, 222/326, 327

4,264,021	4/1981	Davis .	
4,273,269	6/1981	Davis .	
4,306,671	12/1981	Fisher .	
4,322,022	3/1982	Bergman .	
4,335,834	6/1982	Zepkin .	
4,376,498	3/1983	Davis .	
4,440,324	4/1984	Lebecque .	
4,615,469	10/1986	Kishi et al. .	
4,653,675	3/1987	Ratzky .	
4,685,595	8/1987	Segatz .....	222/326
4,706,853	11/1987	Stonesifer et al. .	
5,027,984	7/1991	Gakhar et al. ....	222/326

Primary Examiner—Nelson C. Holtje  
Assistant Examiner—J. H. Musgrove  
Attorney, Agent, or Firm—Middleton & Reutlinger

## [57] CLAIM

The ornamental design for a caulking gun, as shown and described.

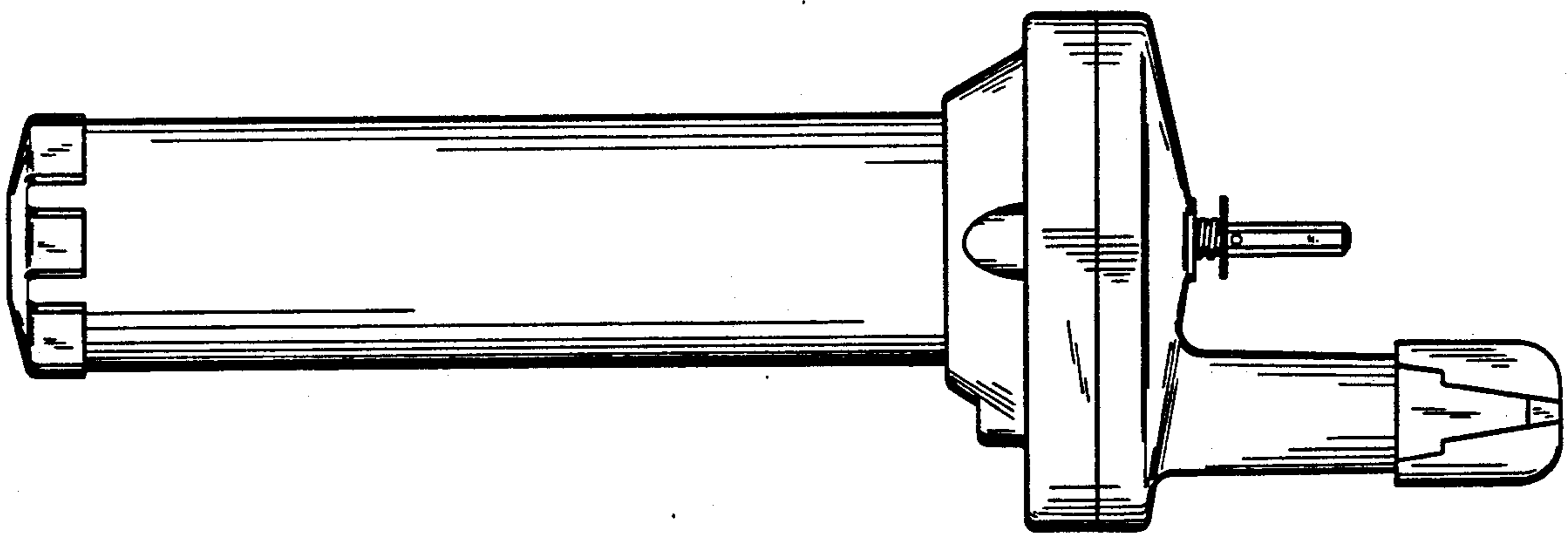
## [56] References Cited

### U.S. PATENT DOCUMENTS

D. 289,881	5/1987	Krumm .	
D. 290,681	7/1987	Pudwill .	
3,861,567	1/1975	Davis .	
3,913,799	10/1975	Davis .....	222/326
3,985,273	10/1976	Davis .....	222/326
3,997,084	12/1976	Davis .	
4,024,994	5/1977	Davis .	
4,114,781	9/1978	Doyel .	
4,171,072	10/1979	Davis .	
4,249,677	2/1981	Davis .	
4,258,866	3/1981	Bergman .....	222/333
4,260,076	4/1981	Bergman .	

## DESCRIPTION

FIG. 1 is a right side elevational view on a reduced scale of a caulking gun showing our new design, the broken line showing is for illustrative purposes only and forms no part of the claimed design;  
FIG. 2 is a right side elevational view the opposite side being a mirror image;  
FIG. 3 is a front elevational view;  
FIG. 4 is a rear elevational view;  
FIG. 5 is a top plan view; and,  
FIG. 6 is a bottom plan view.



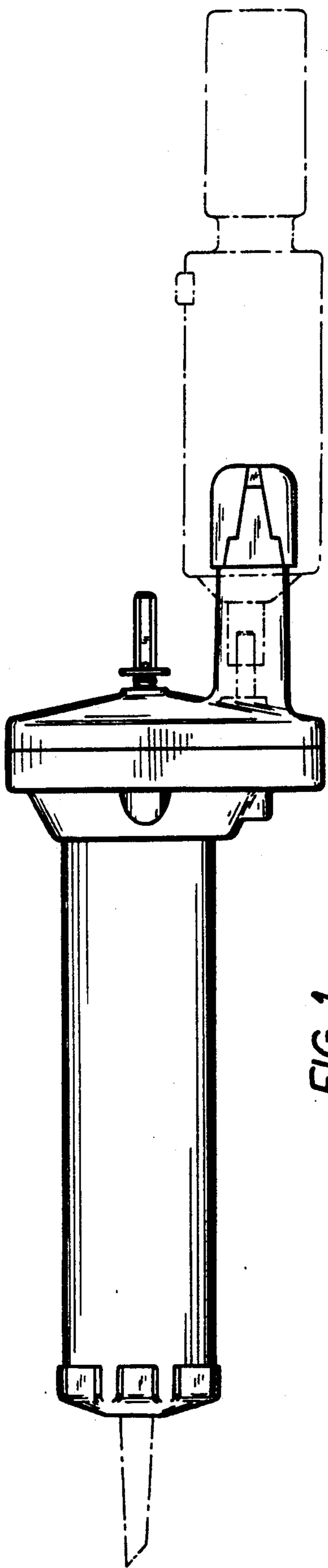


FIG. 1

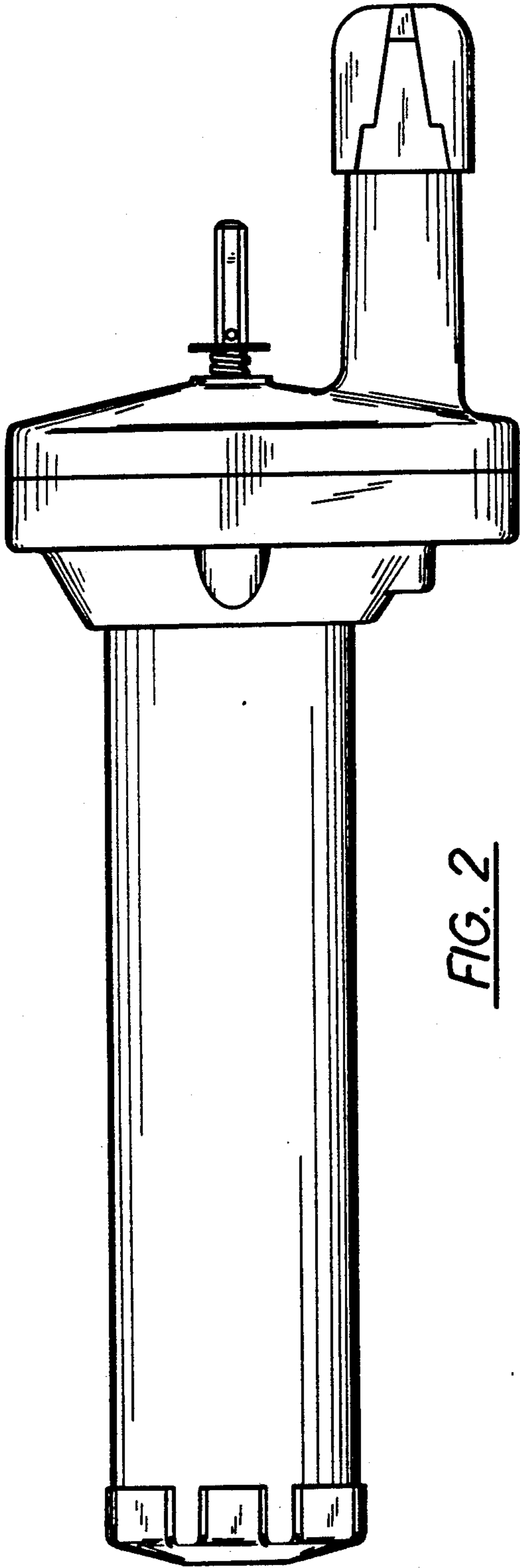


FIG. 2

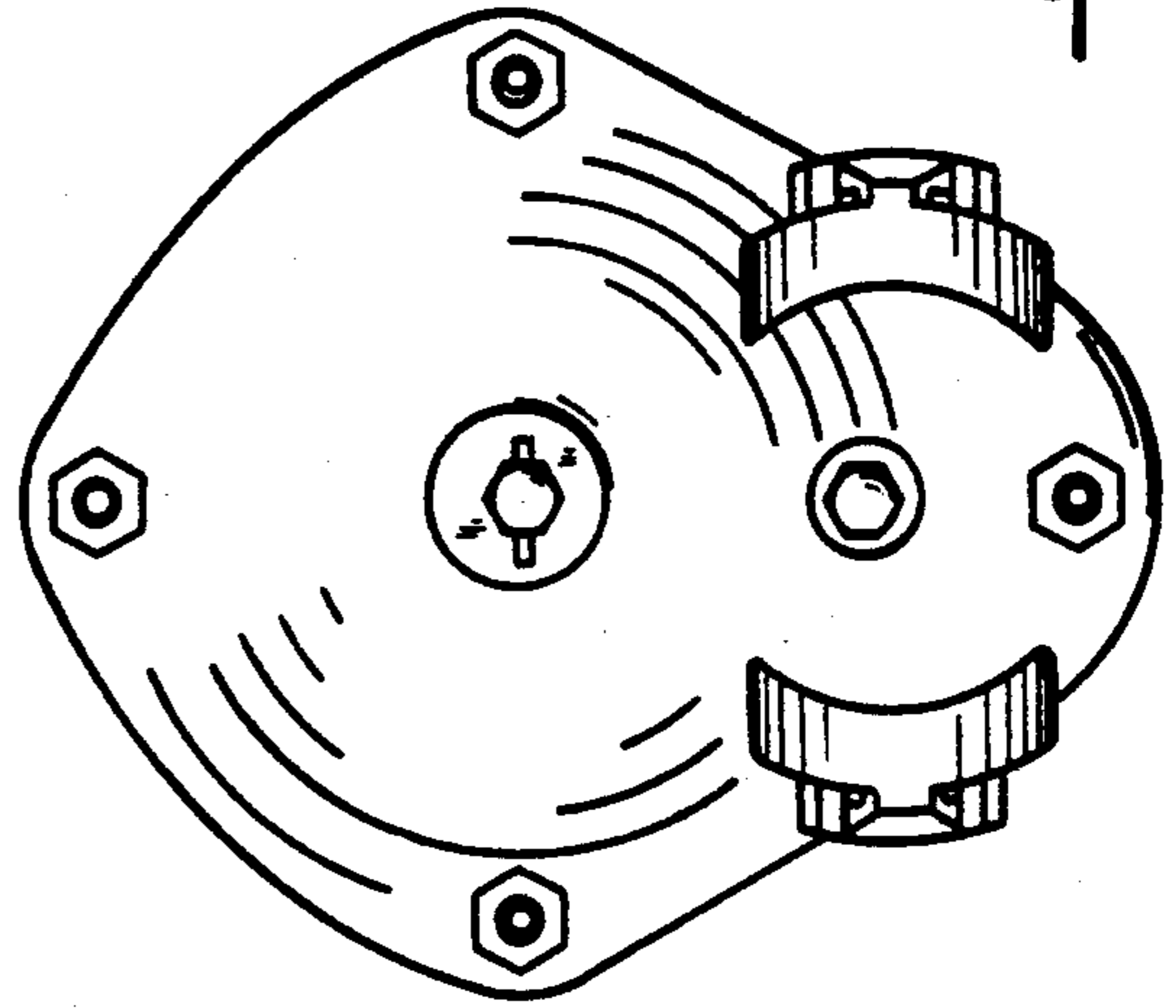


FIG. 4

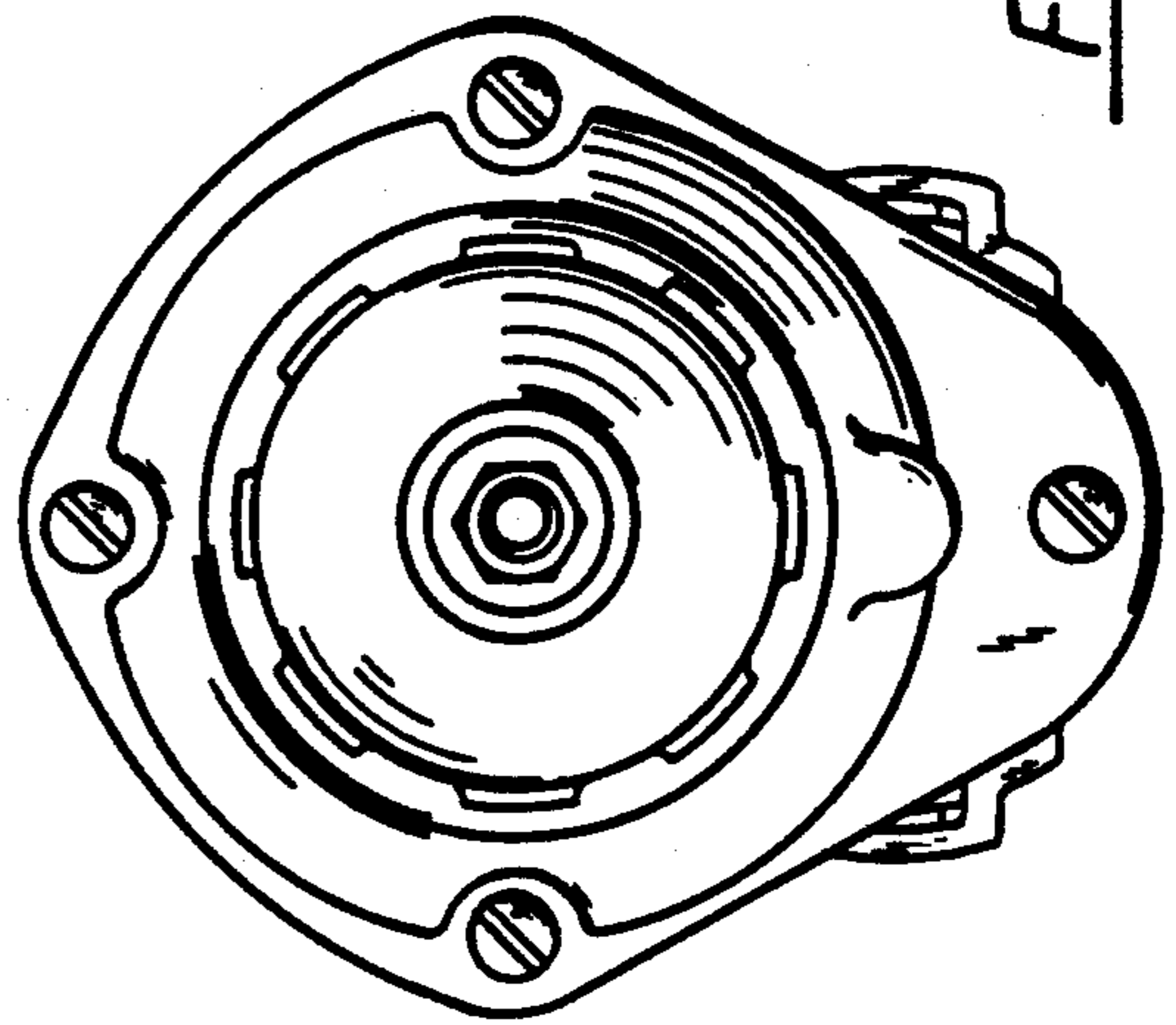


FIG. 3

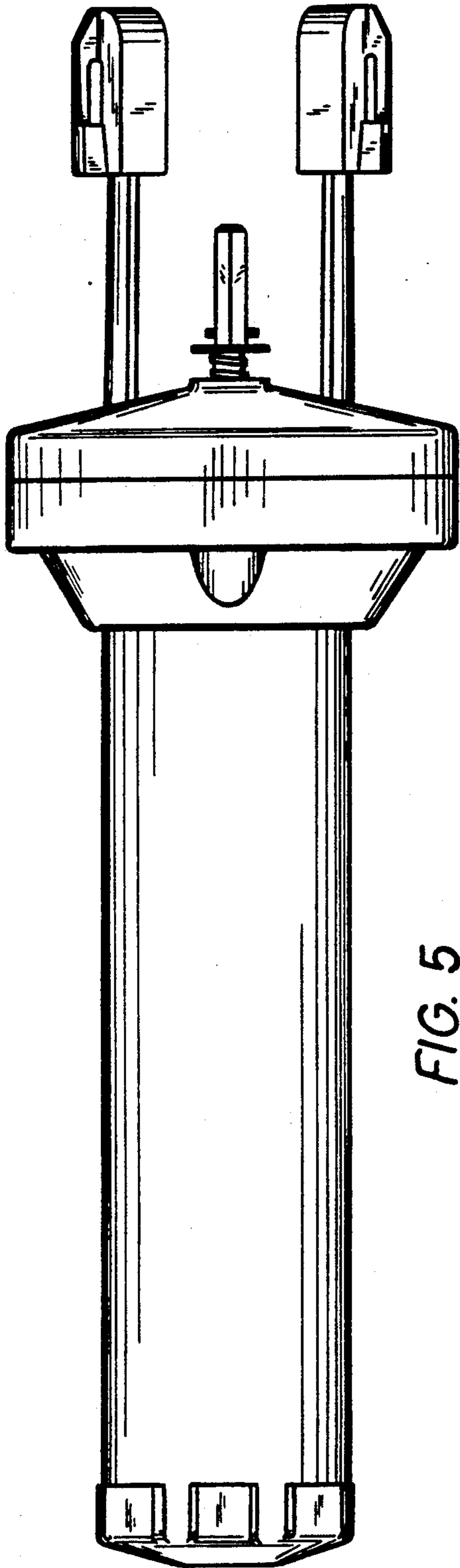


FIG. 5

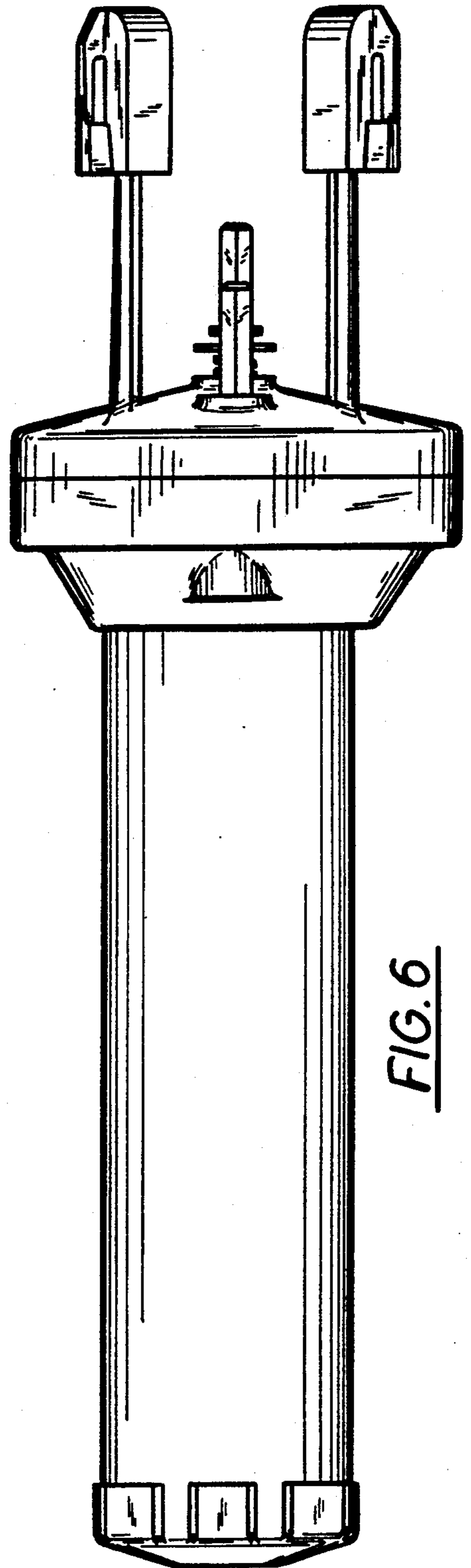


FIG. 6