



US00D325690S

United States Patent [19]

Arnold

[11] Patent Number: **Des. 325,690**

[45] Date of Patent: **** Apr. 28, 1992**

[54] **NAILING TOOL**

[76] Inventor: **Gerhard Arnold, Lahnstrasse 4, 6200 Wiesbaden, Fed. Rep. of Germany, D-6200**

[**] Term: **14 Years**

[21] Appl. No.: **490,981**

[22] Filed: **Mar. 9, 1990**

[30] **Foreign Application Priority Data**

Sep. 21, 1989 [WO] World Int. Prop. O. DM/014616

[52] U.S. Cl. **D8/51**

[58] Field of Search D8/49, 51, 61; 227/120, 227/130, 132, 147, 134, 124

[56] **References Cited**

U.S. PATENT DOCUMENTS

D. 219,259	10/1970	Perkins	D8/61
D. 260,354	8/1981	Proops et al.	D8/61
D. 304,416	11/1989	Tanigami	D8/49
3,491,931	1/1970	Sales	D8/61

3,506,178	4/1970	Brunelle	227/134
3,854,648	12/1974	Inzoli et al.	227/130
4,113,164	9/1978	Muthenthaler	227/124
4,230,249	10/1980	Nasiatka et al.	227/134
4,629,108	12/1986	Judge	227/120
4,805,825	2/1989	Liu	227/147
4,860,937	8/1989	Arnold	227/147

Primary Examiner—Bernard Ansher
Assistant Examiner—Philip Hyder
Attorney, Agent, or Firm—Wegner, Cantor, Mueller & Player

[57] **CLAIM**

The ornamental design for a nailing tool, as shown and described.

DESCRIPTION

FIG. 1 is a front elevational view of a nailing tool showing my new design, the rear view being a mirror image; FIG. 2 is a top plan view thereof; FIG. 3 is a bottom plan view thereof; FIG. 4 is a left side elevational view thereof; FIG. 5 is a right side elevational view thereof; and, FIG. 6 is a perspective view thereof.

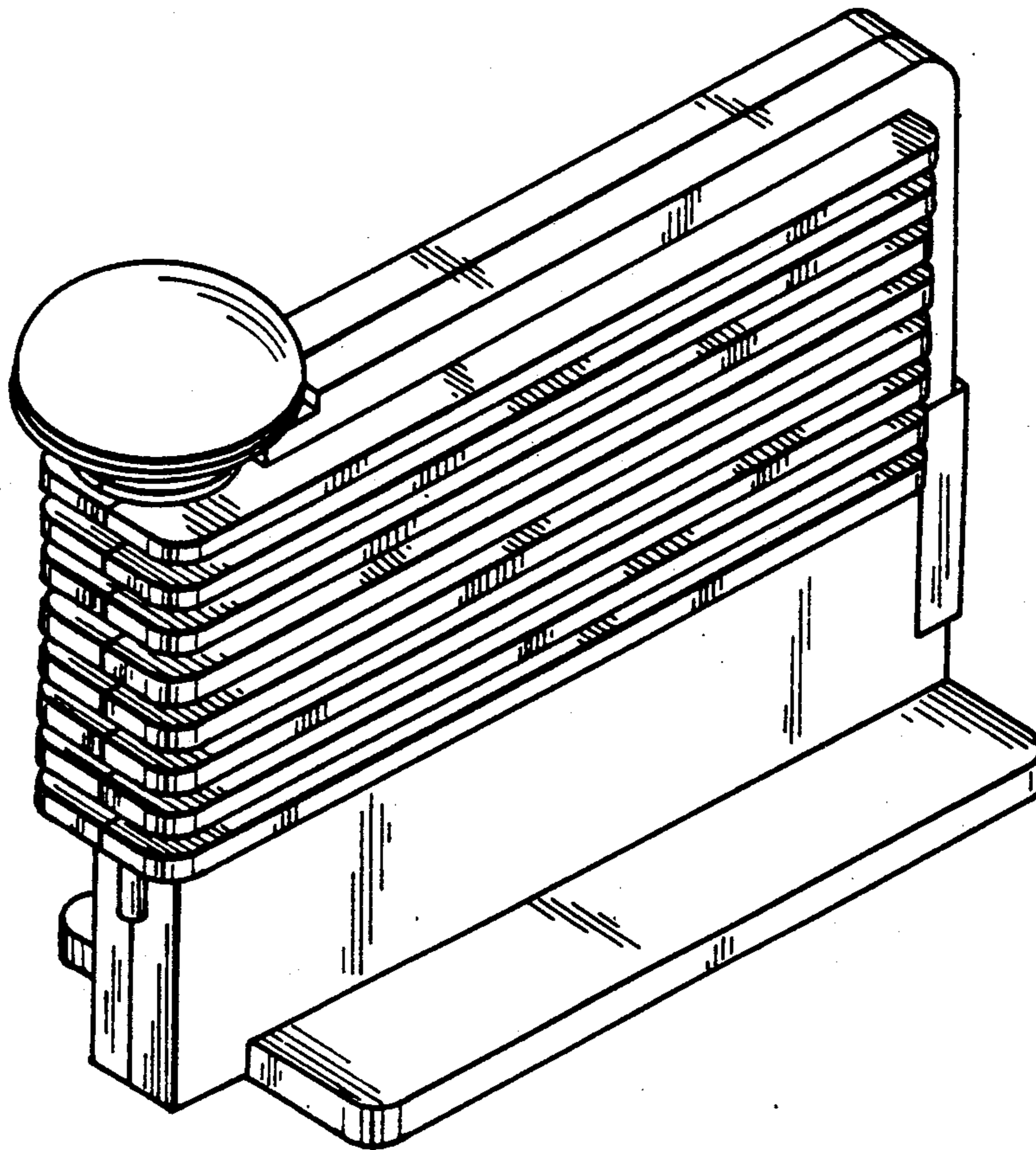


FIG. 1

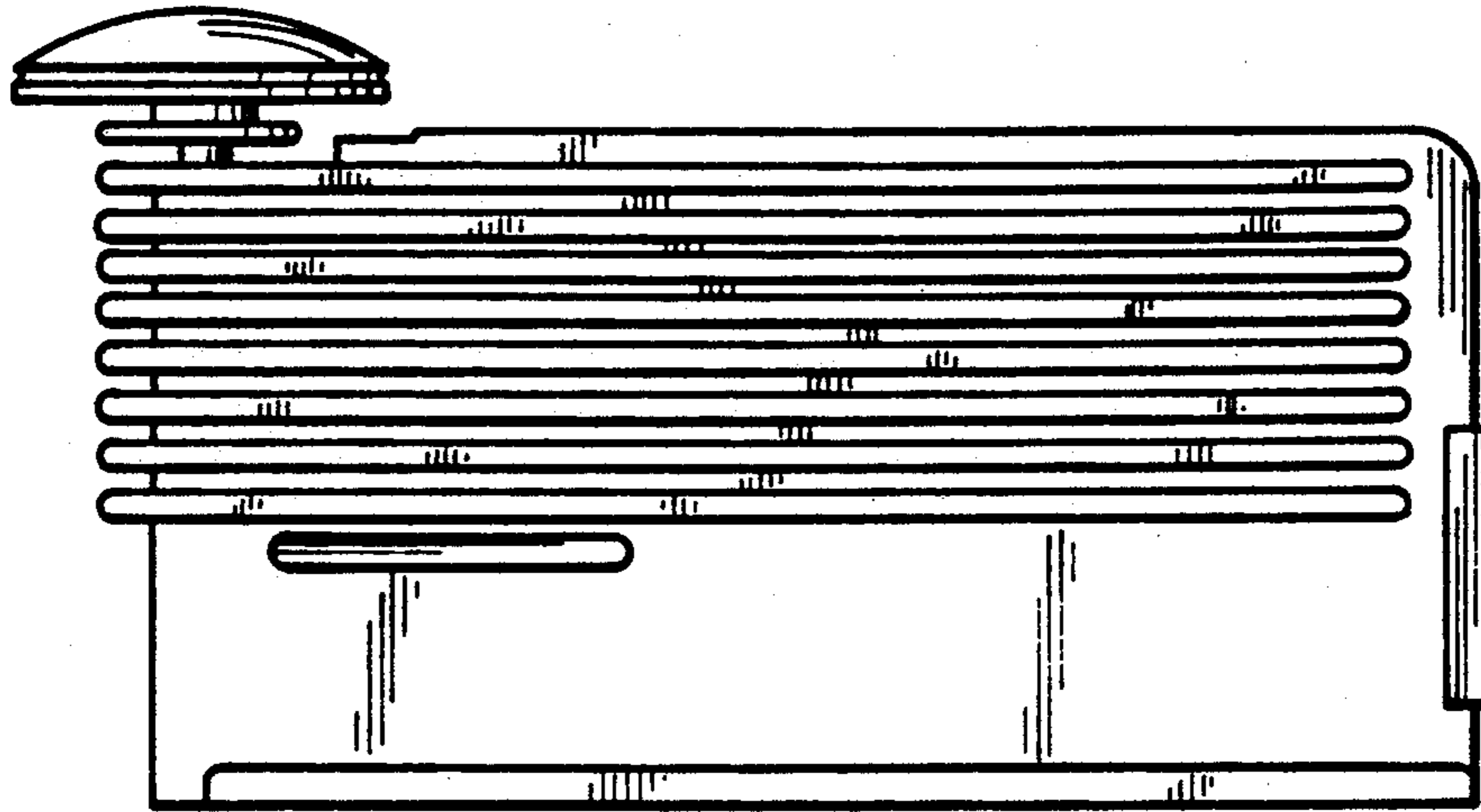


FIG. 2

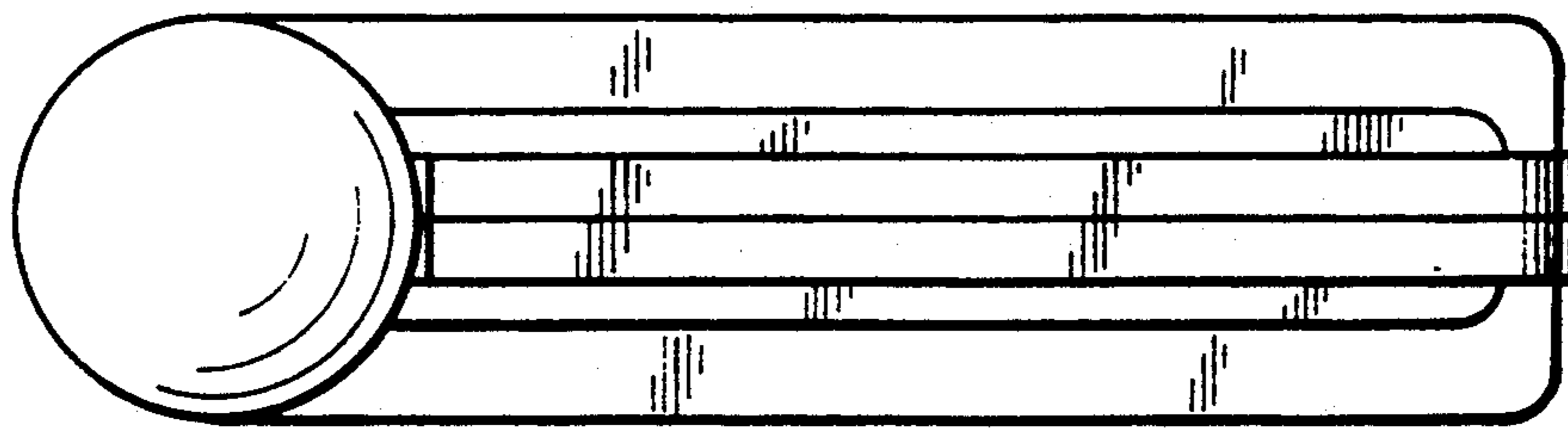


FIG. 3

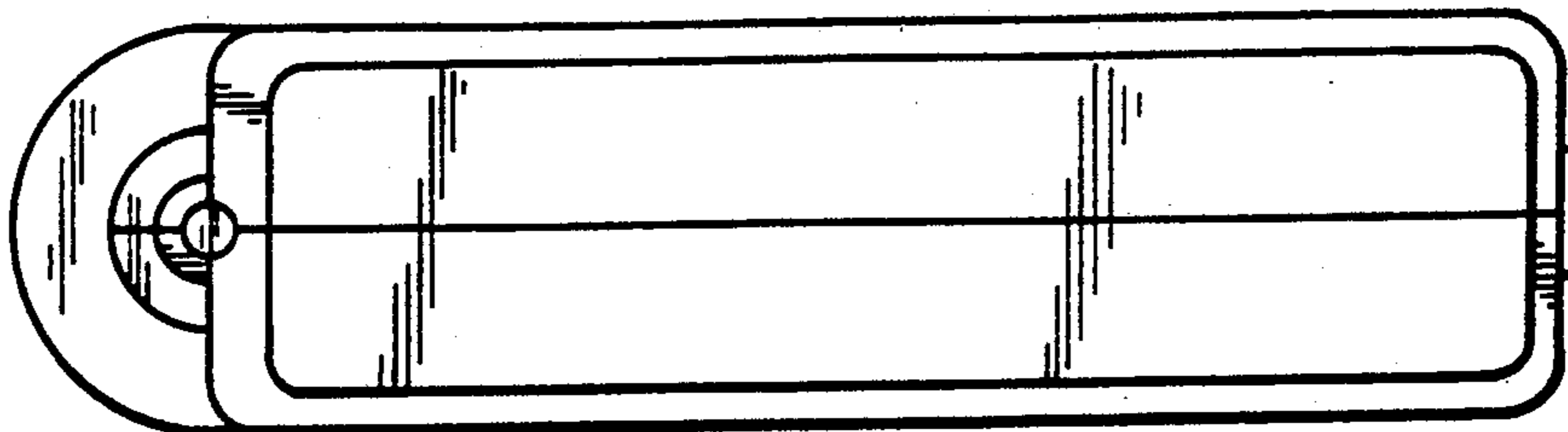


FIG. 4

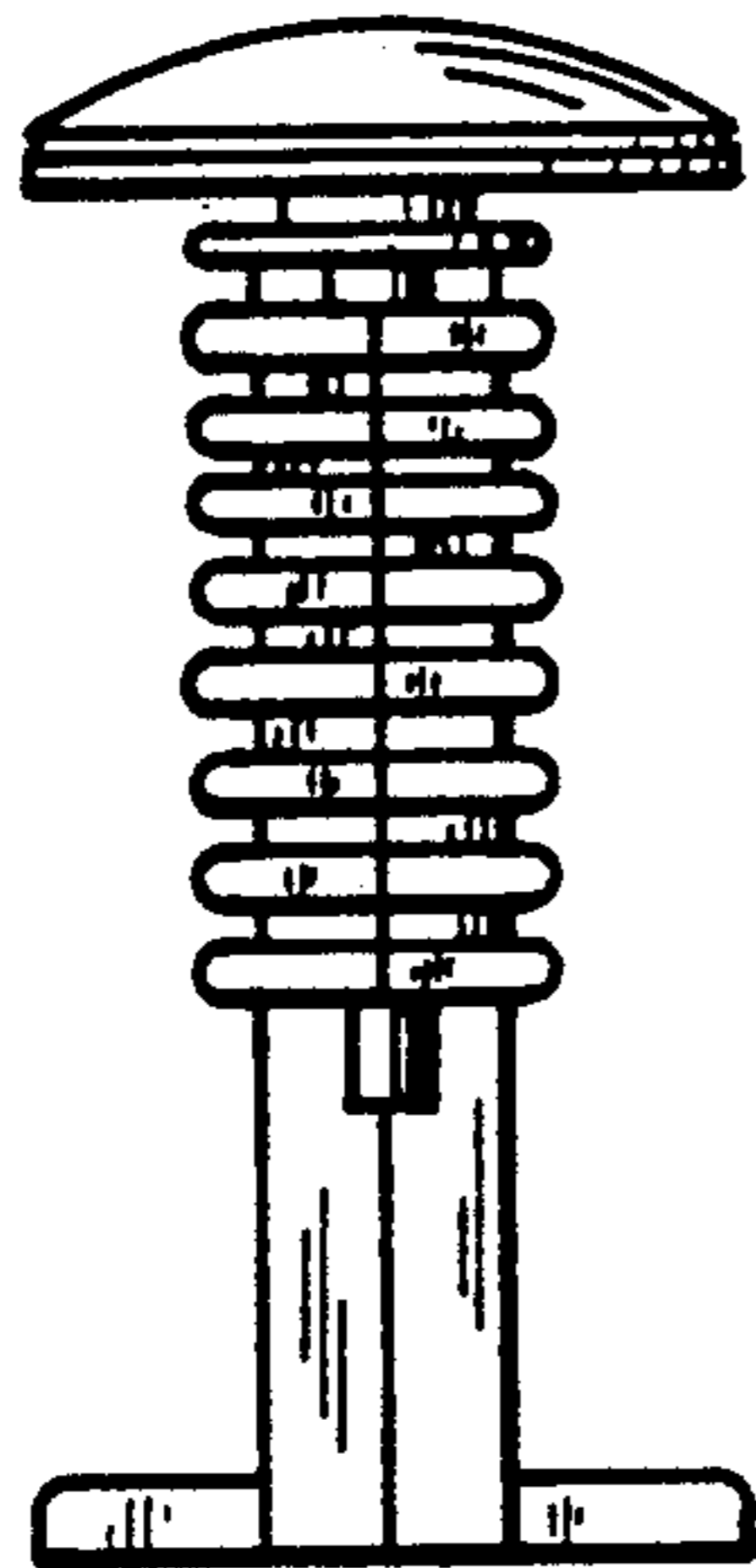


FIG. 5

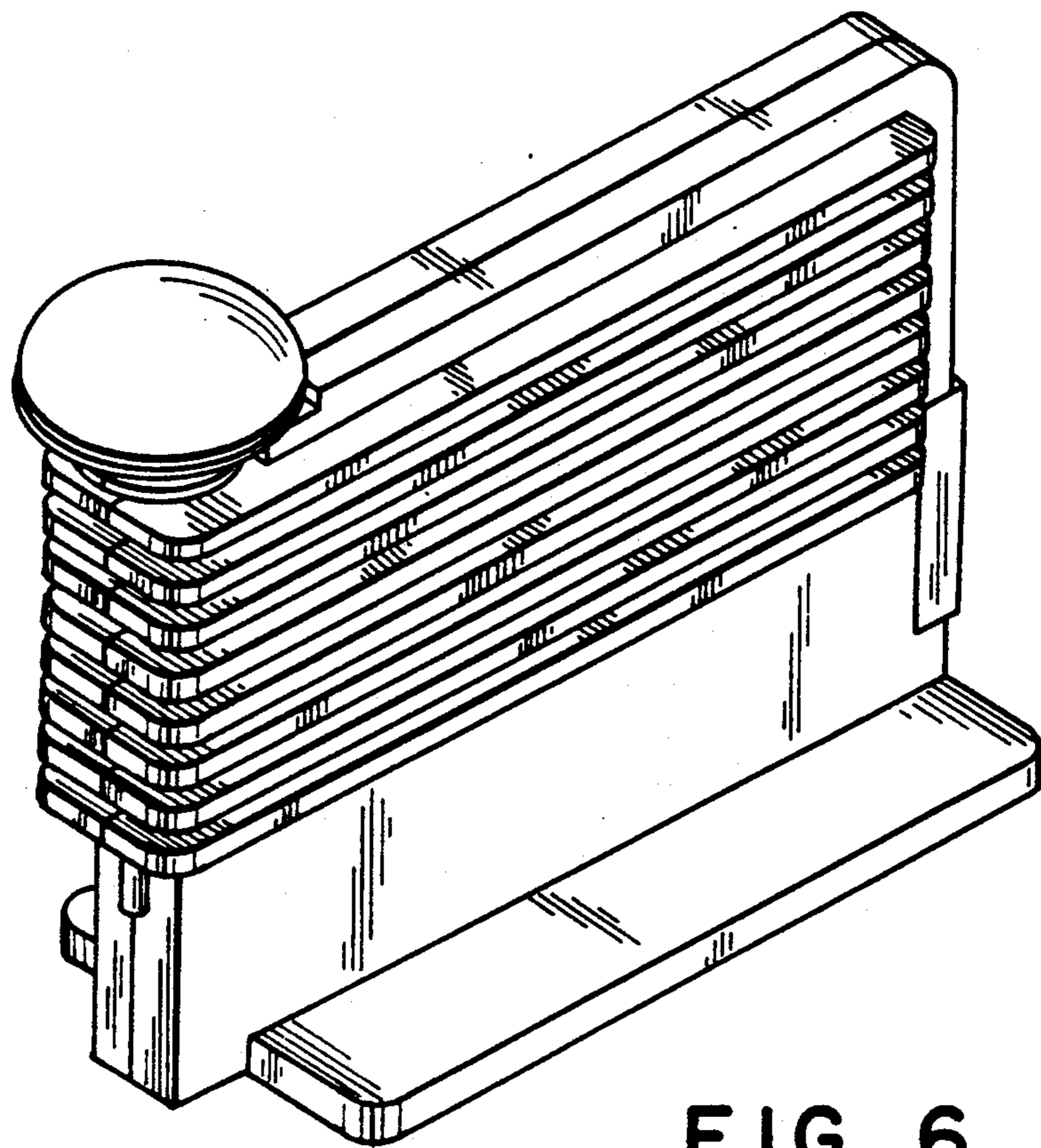
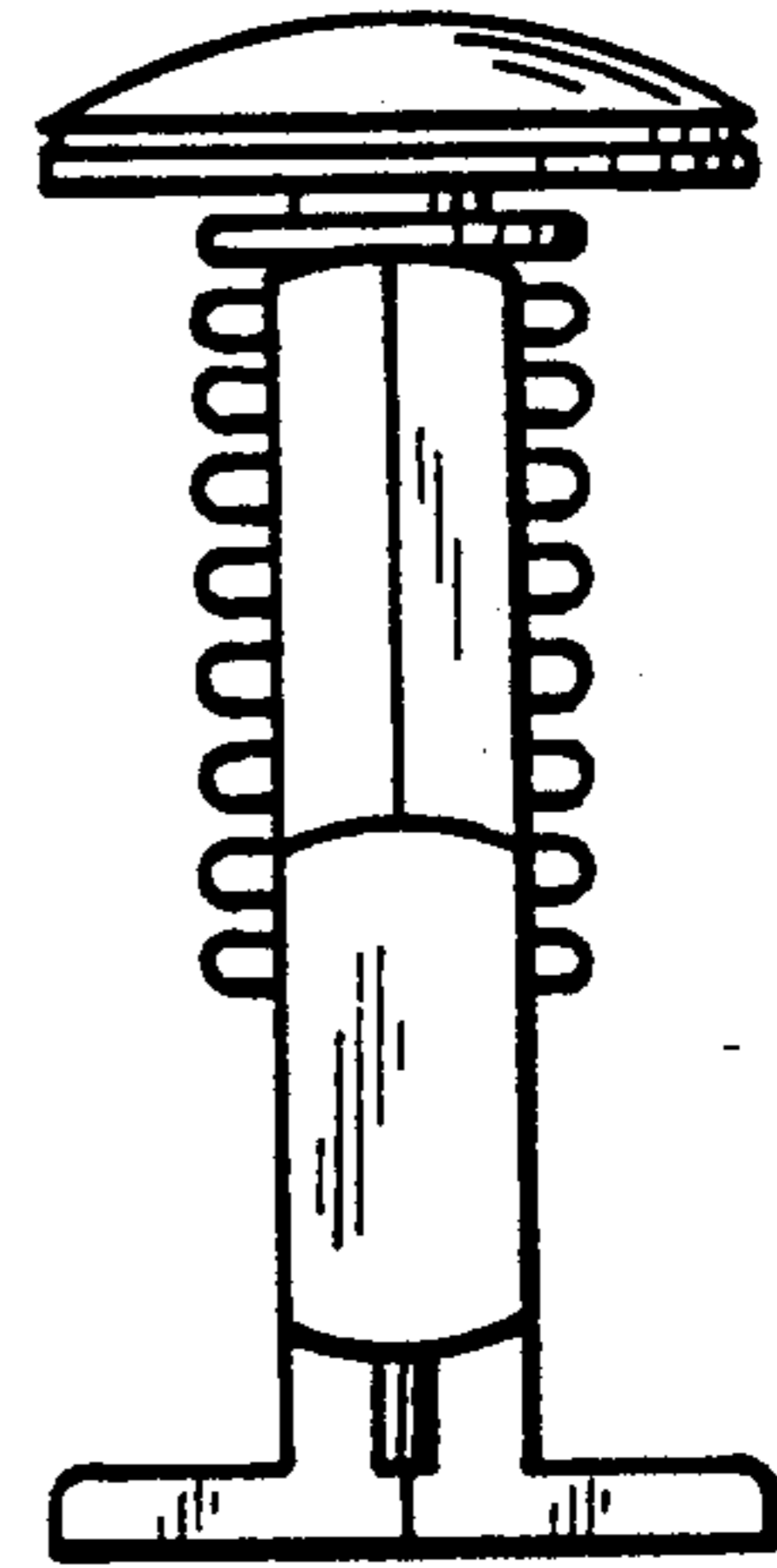


FIG. 6