



US00D325687S

United States Patent [19]

Embree

[11] Patent Number: **Des. 325,687**

[45] Date of Patent: **** Apr. 28, 1992**

[54] **INSULATED MUG**

[75] Inventor: **Donald Embree, Uniontown, Ohio**

[73] Assignee: **Rubbermaid Incorporated, Wooster, Ohio**

[**] Term: **14 Years**

[21] Appl. No.: **385,295**

[22] Filed: **Jul. 25, 1989**

[52] U.S. Cl. **D7/510; D7/321; D7/533**

[58] Field of Search **D7/536, 533, 535, 317, D7/312, 316, 300, 318, 605, 608, 510, 511, 619, 622, 321, 322; 62/457.3, 457.4, 457.9; 220/90.4, 903, 85 H, 412; 215/13.1; 222/470, 484; D9/429**

[56] **References Cited**

U.S. PATENT DOCUMENTS

D. 192,934	5/1962	Bloch	D7/318
D. 199,749	12/1964	Schnur et al.	D7/533
D. 214,458	6/1969	Riley	D7/510 X
D. 281,478	11/1985	Zimmermann	D7/608
3,302,427	2/1967	Stoner et al.	62/457.4

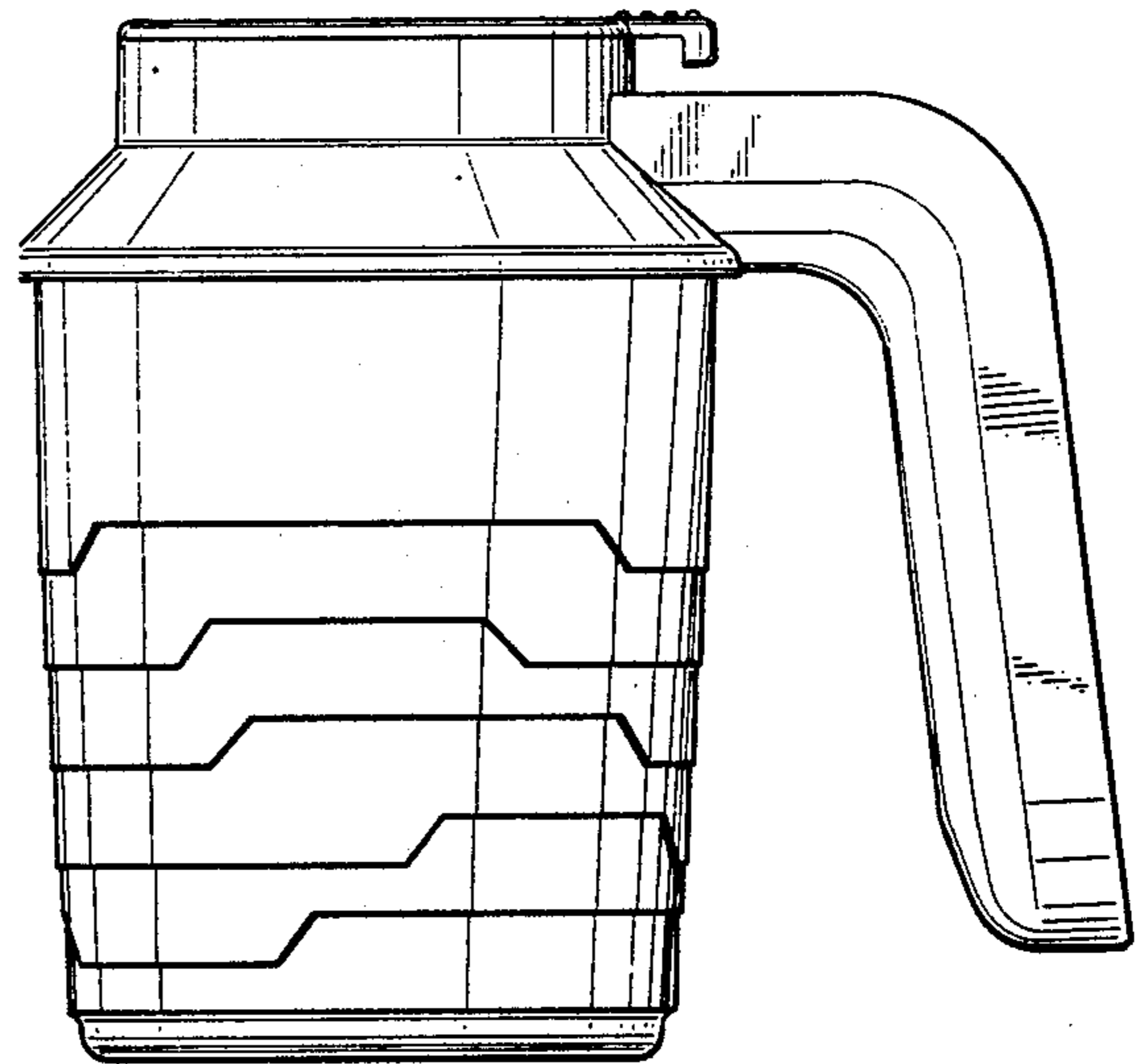
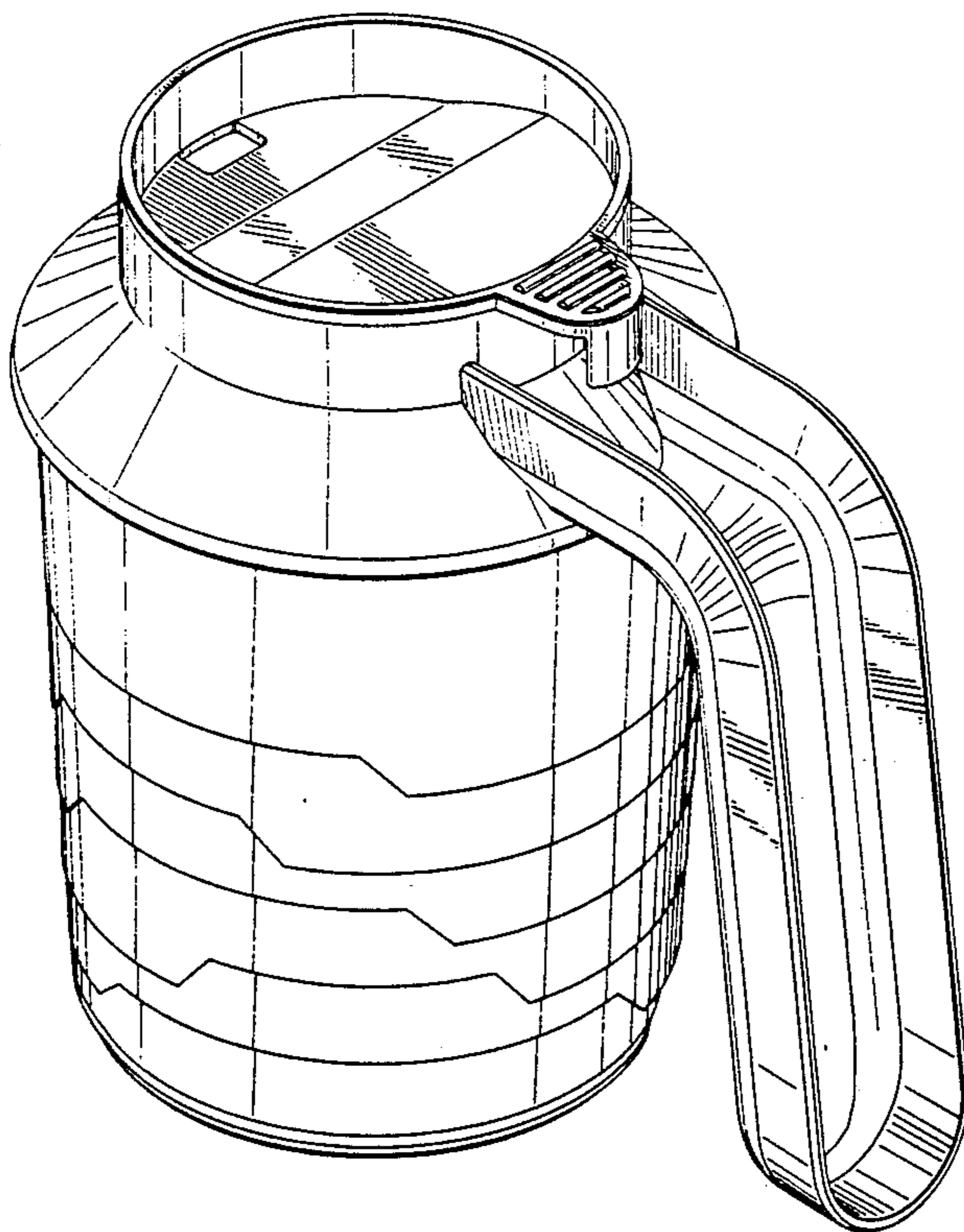
Primary Examiner—Winifred E. Herrmann
Attorney, Agent, or Firm—Richard B. O'Planick

[57] CLAIM

The ornamental design for an insulated mug, as shown and described.

DESCRIPTION

FIG. 1 is a front perspective view of an insulated mug embodying my new design;
FIG. 2 is a bottom plan view thereof;
FIG. 3 is a top plan view thereof;
FIG. 4 is a rear elevational view thereof;
FIG. 5 is a left side elevational view thereof;
FIG. 6 is a front elevational view thereof; and,
FIG. 7 is a right side elevational view thereof.



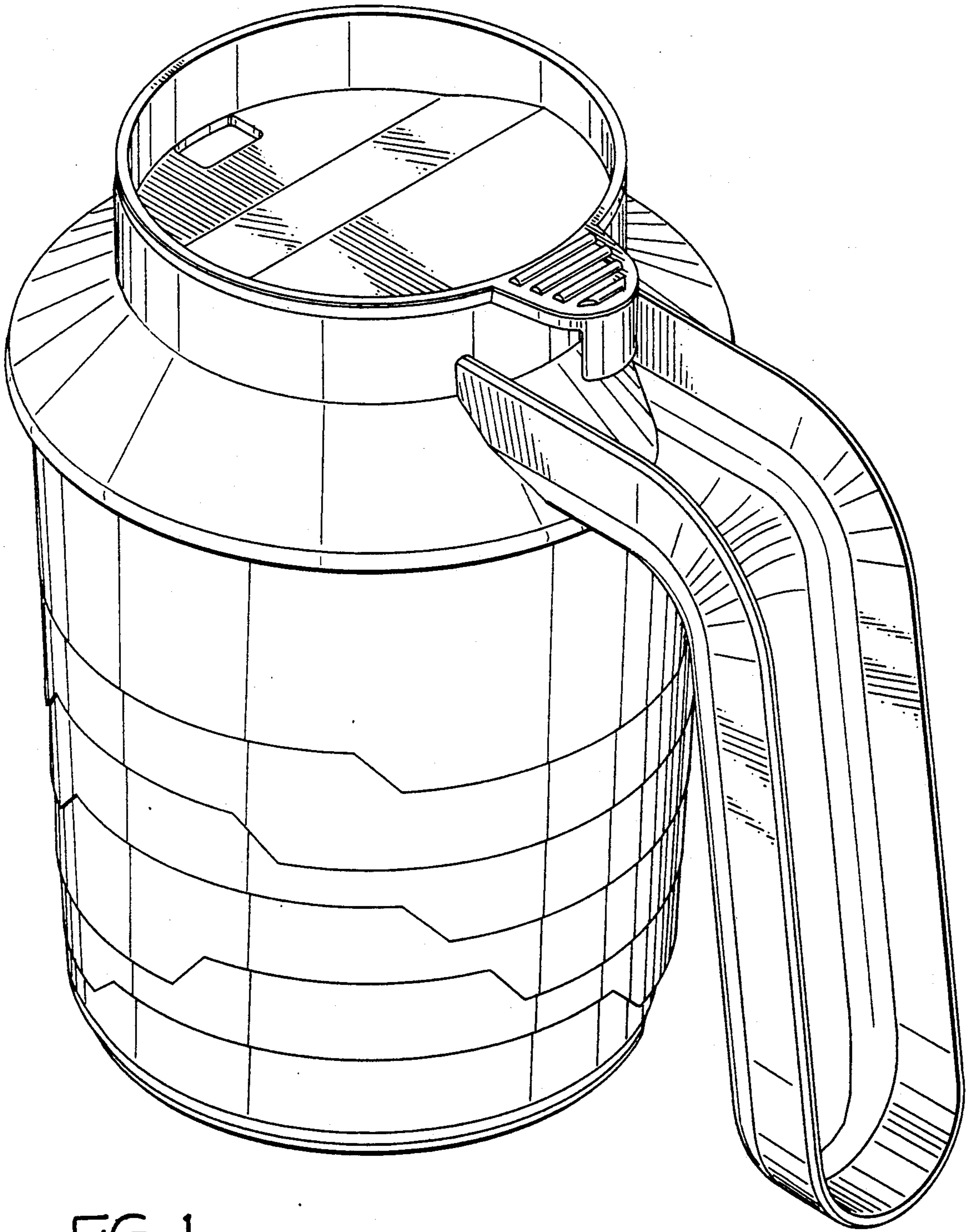


FIG. 1

FIG. 2

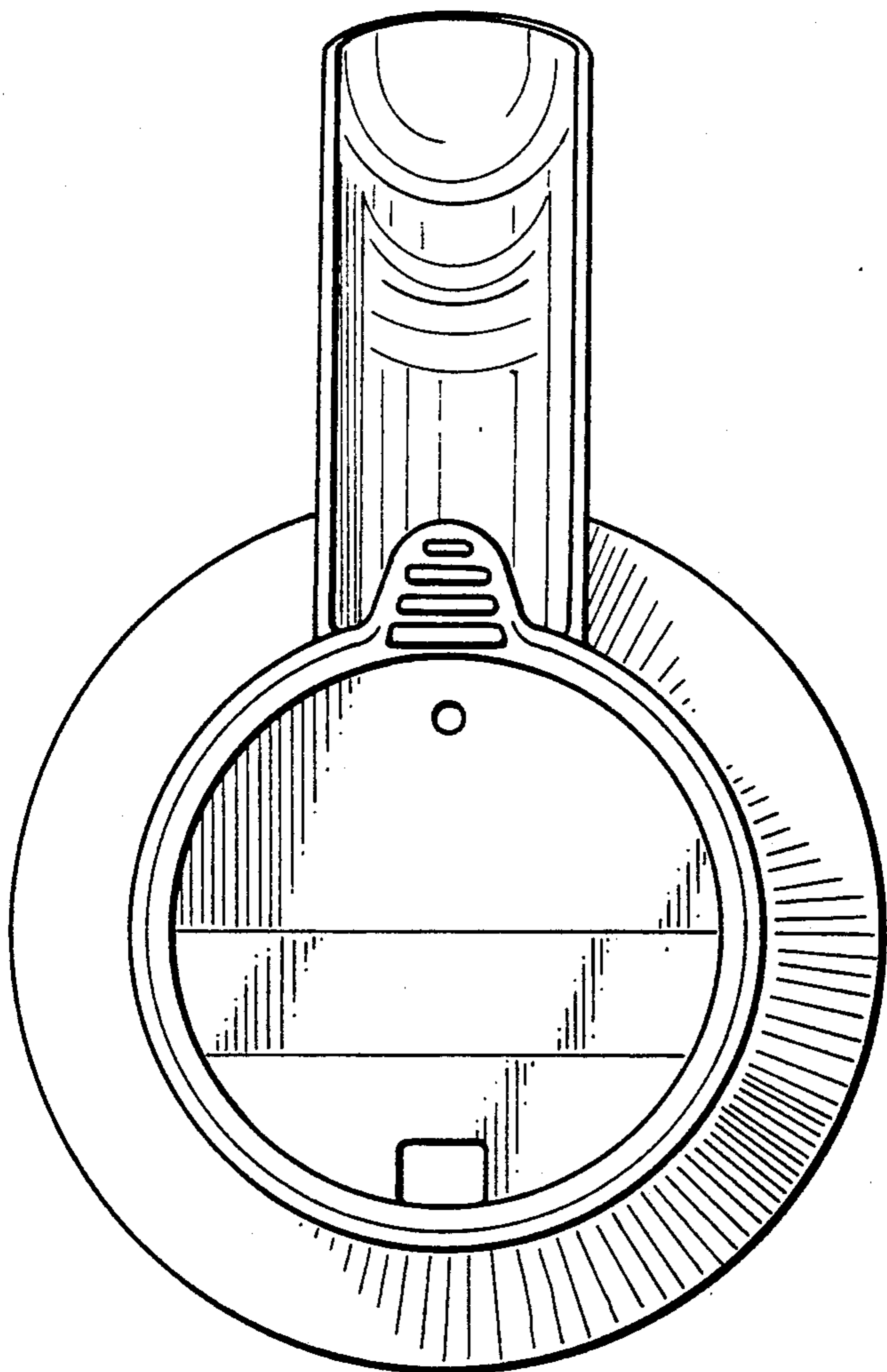
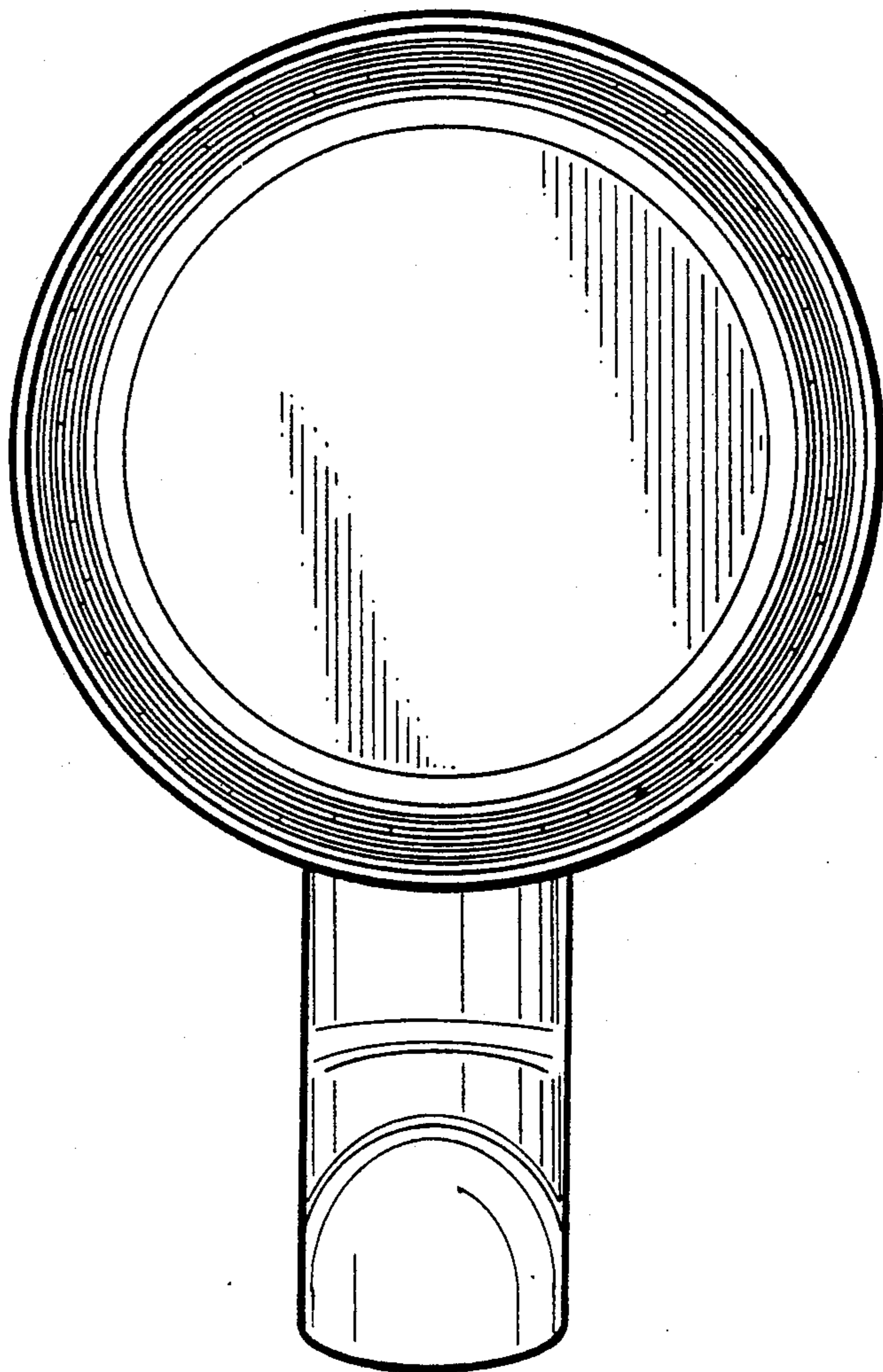


FIG. 3

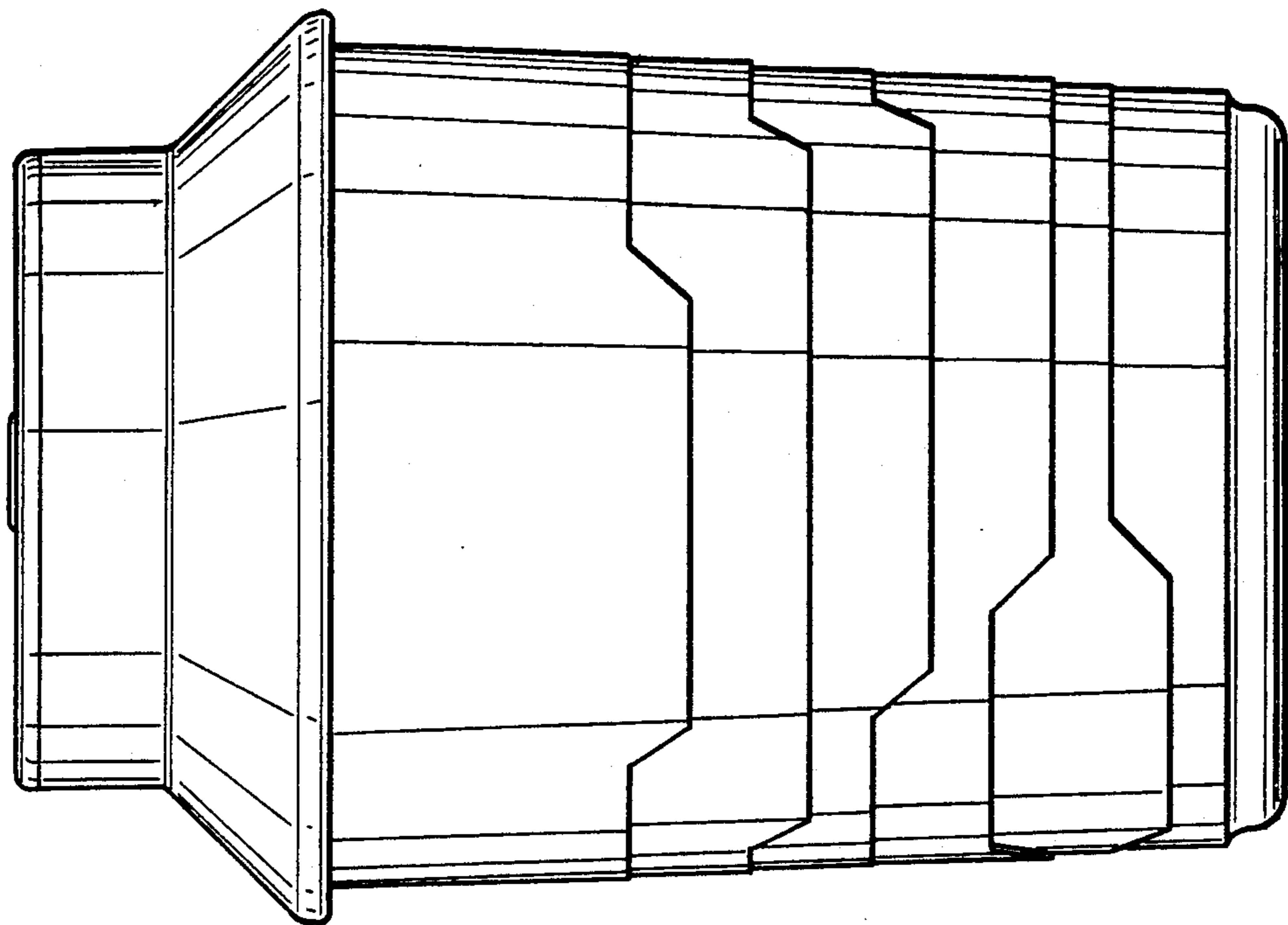


FIG. 5

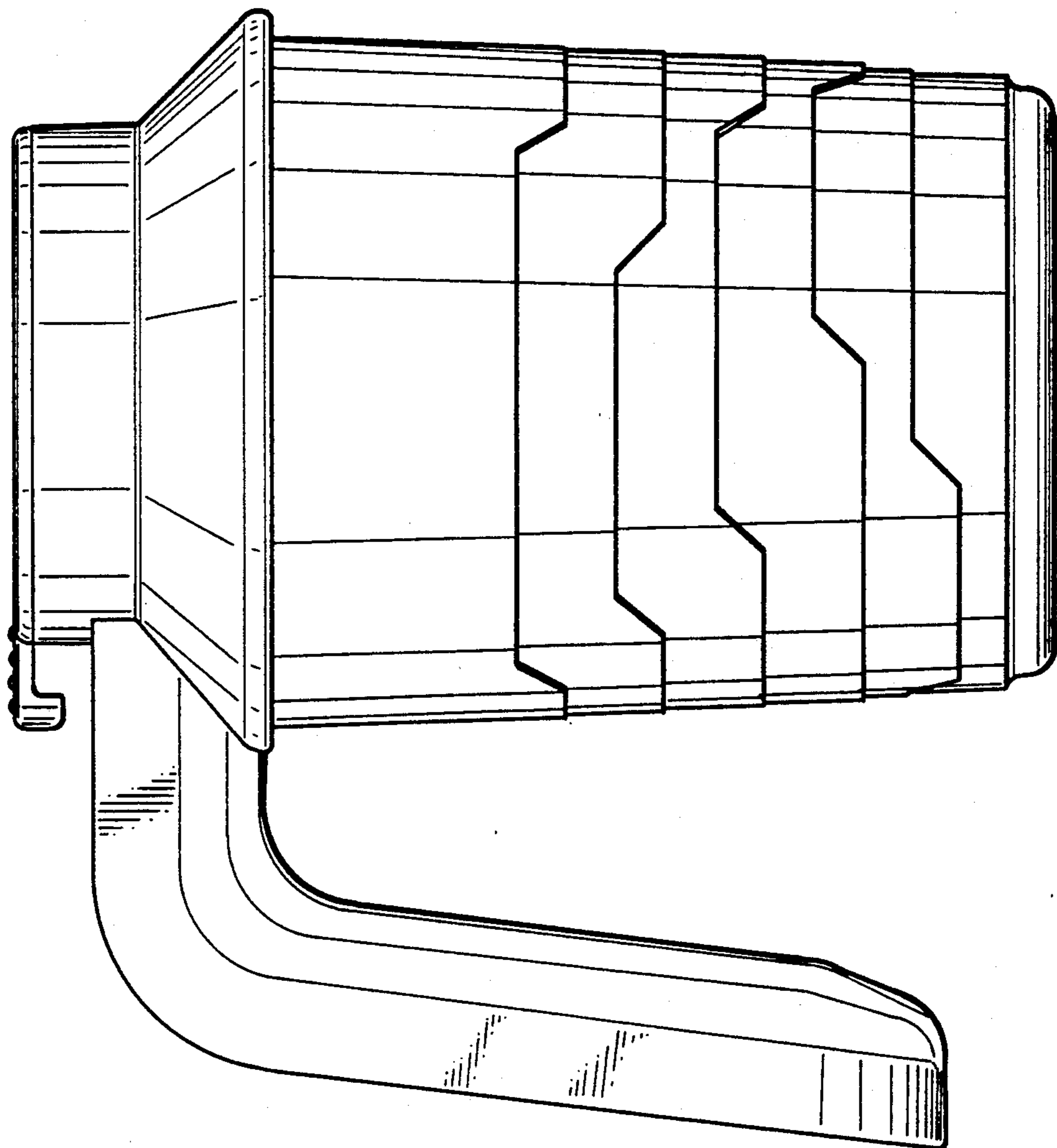


FIG. 4

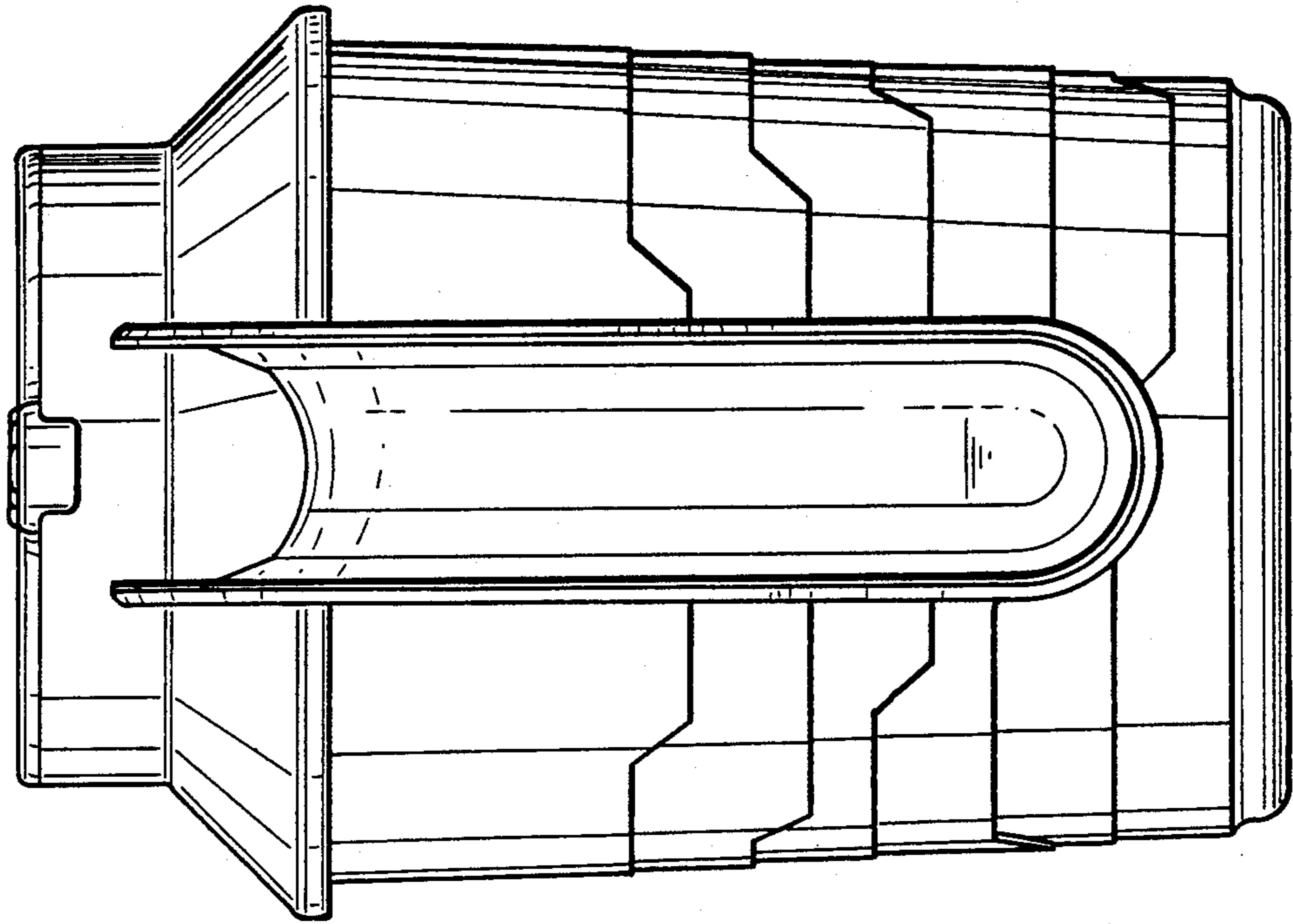


FIG. 7

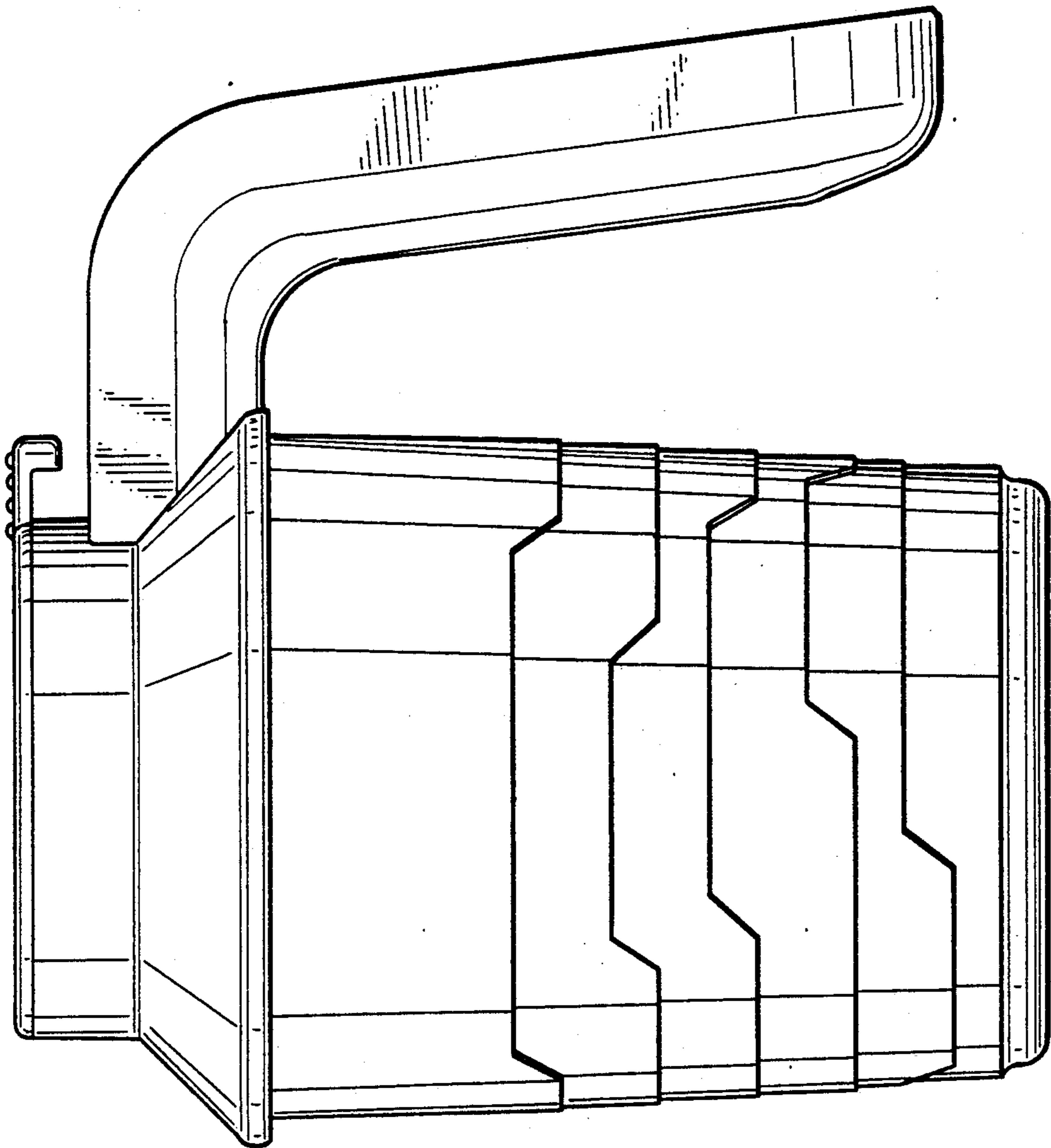


FIG. 6