



US00D325684S

United States Patent [19]

[11] Patent Number: **Des. 325,684**

Deare

[45] Date of Patent: **** Apr. 28, 1992**

[54] **BAKING PAN**

[75] Inventor: **David W. Deare, Glen Ellyn, Ill.**

[73] Assignee: **Wilton Industries, Inc., Woodridge, Ill.**

[**] Term: **14 Years**

[21] Appl. No.: **337,432**

[22] Filed: **May 30, 1989**

[52] U.S. Cl. **D7/360; D7/500**

[58] Field of Search **D7/500, 505, 545, 543, D7/548, 359, 360, 354, 402, 407-409; D9/425, 428**

D. 117,858	11/1939	Thorley	D7/545
D. 288,050	2/1987	Fox	D7/545
D. 296,640	7/1988	Miller	D7/545
2,085,220	6/1937	Howlett	D7/359 X

Primary Examiner—Nelson C. Holtje
Assistant Examiner—Caron D. Veynar
Attorney, Agent, or Firm—Jones, Day, Reavis & Pogue

[57] **CLAIM**

The ornamental design for the baking pan, as shown and described.

DESCRIPTION

FIG. 1 is a top perspective view of a baking pan showing my new design;
FIG. 2 is a side elevational view as seen from either side thereof;
FIG. 3 is a side elevational view as seen from either end thereof;
FIG. 4 is a top plan view thereof; and,
FIG. 5 is a bottom plan view thereof.

[56] **References Cited**
U.S. PATENT DOCUMENTS

D. 58,200	6/1921	Sailer	D7/545
D. 71,205	10/1926	Owen	D7/407
D. 85,804	12/1931	Axford	D7/359

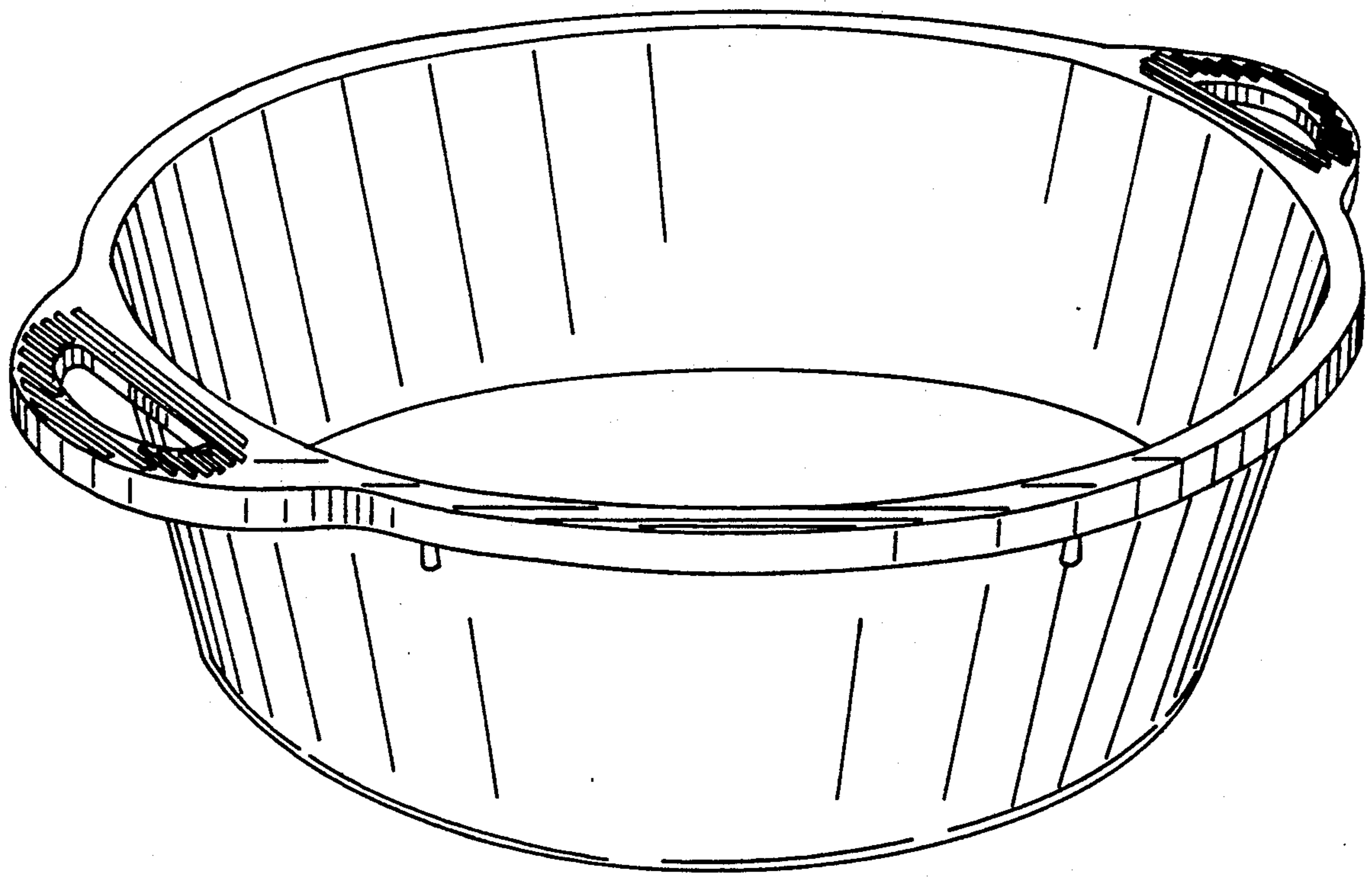


FIG. 1

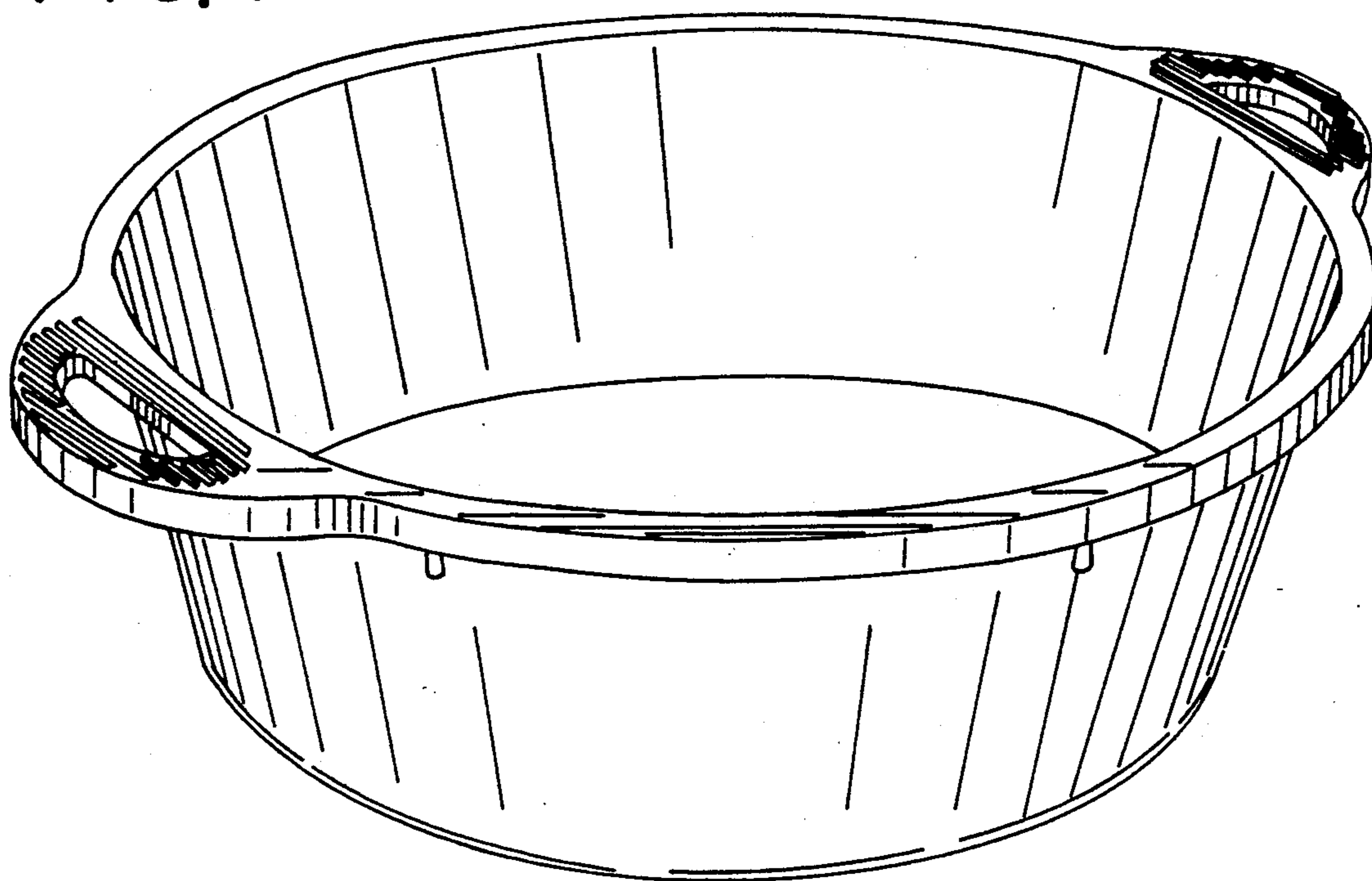


FIG. 2

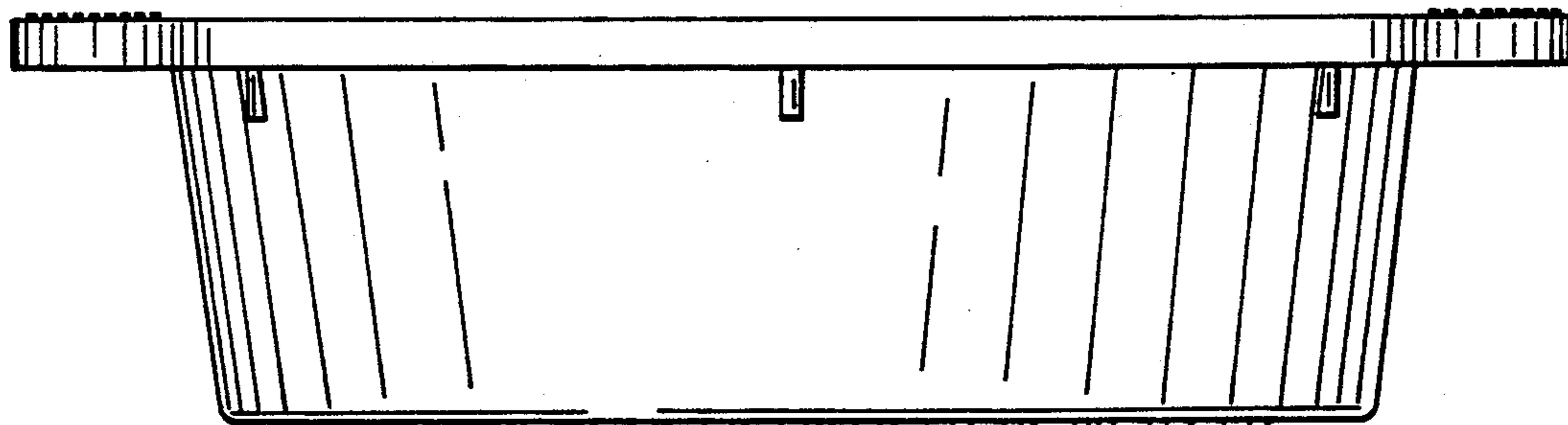


FIG. 3

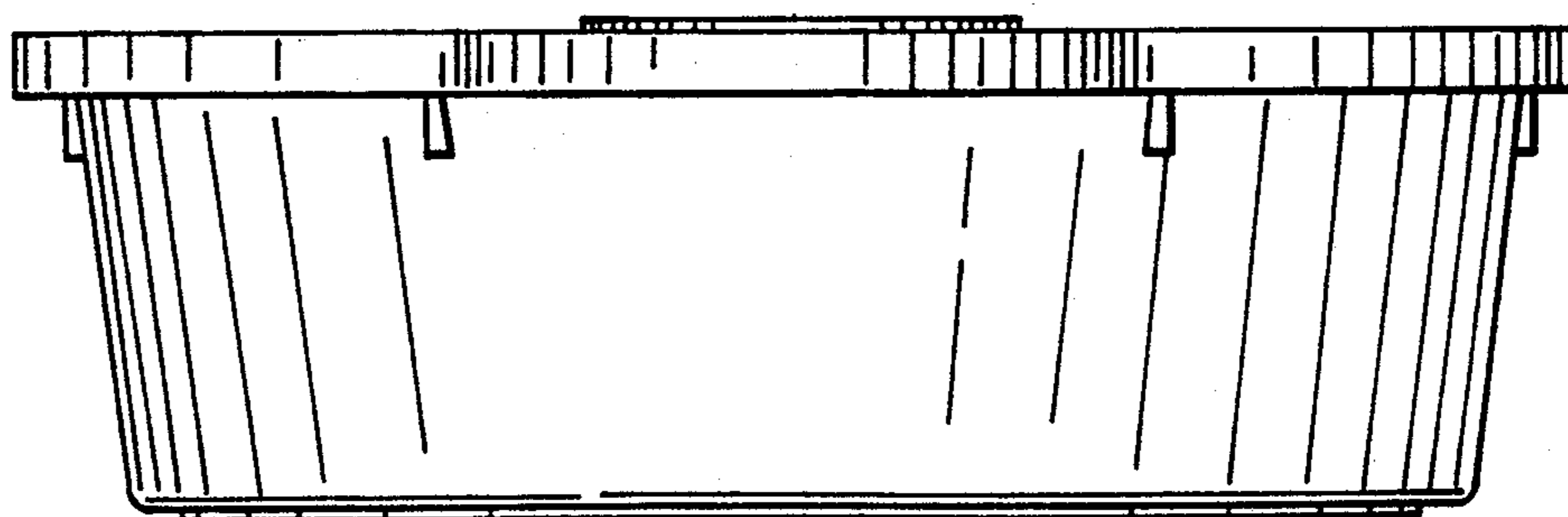


FIG. 4

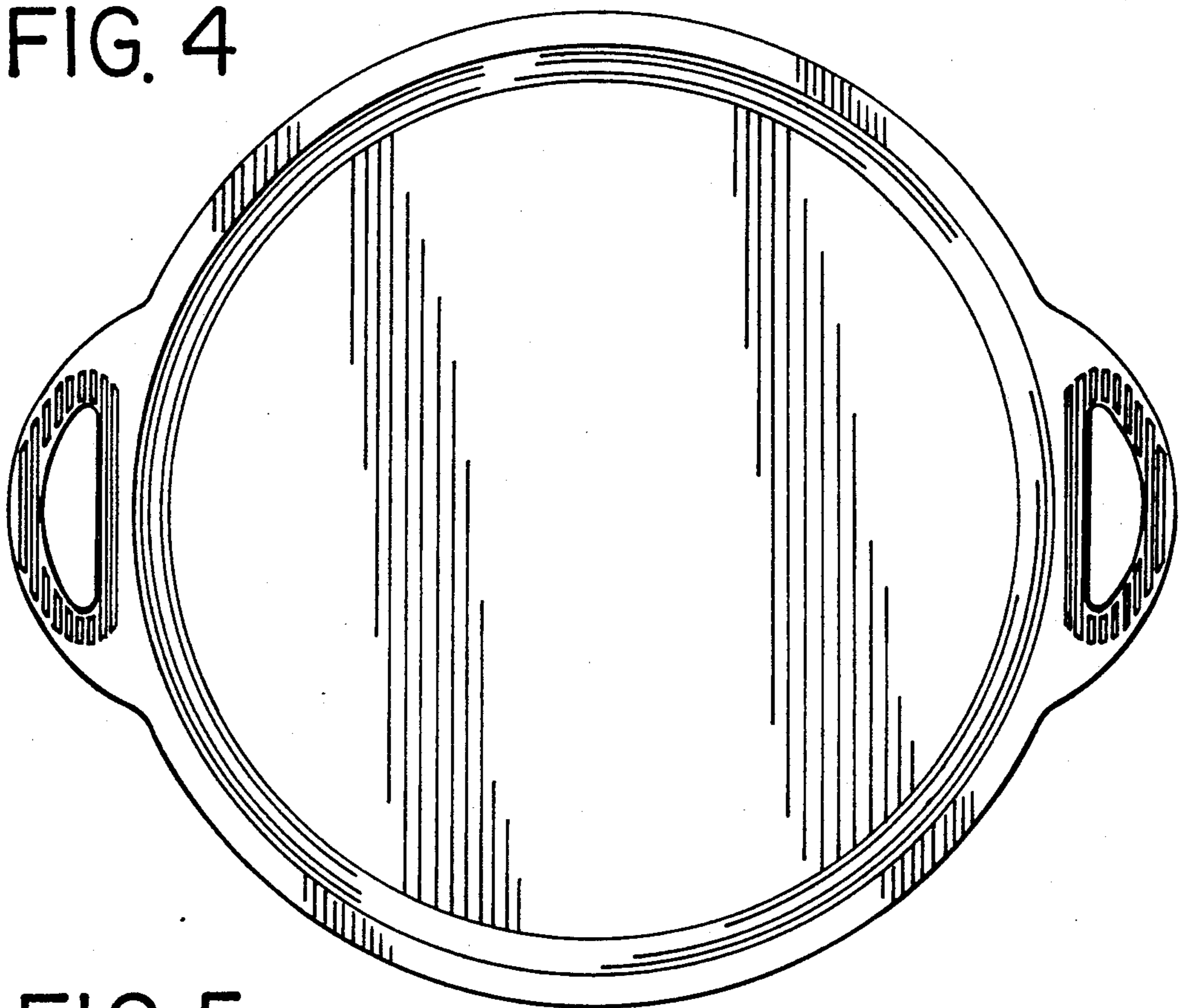


FIG. 5

