



US00D325681S

United States Patent [19]

[11] Patent Number: **Des. 325,681**

Gartenmaier

[45] Date of Patent: **** Apr. 28, 1992**

[54] **HEADRAIL FOR A VENETIAN BLIND**

D. 301,818	6/1989	Froeter	D6/575
1,905,979	4/1933	Burns	D6/577 X
1,989,240	1/1935	Magill	D6/577 X

[76] Inventor: **Hans Gartenmaier**, Keplerstrasse 4, D-7208 Spaichingen, Fed. Rep. of Germany

OTHER PUBLICATIONS

Spiegel, Spring/Summer 1967, p. 429, bottom panel Venetian Blind.

[**] Term: **14 Years**

Primary Examiner—Bruce W. Dunkins
Assistant Examiner—Janice E. Seeger
Attorney, Agent, or Firm—Bachman & LaPointe

[21] Appl. No.: **290,081**

[22] Filed: **Dec. 22, 1988**

[57] **CLAIM**

[30] **Foreign Application Priority Data**

Jul. 23, 1988 [DE] Fed. Rep. of Germany 8800006

The ornamental design of a headrail for a venetian blinde, as shown and described.

[52] U.S. Cl. **D6/580; D6/577**

[58] Field of Search **D6/575-580; 160/189, 236**

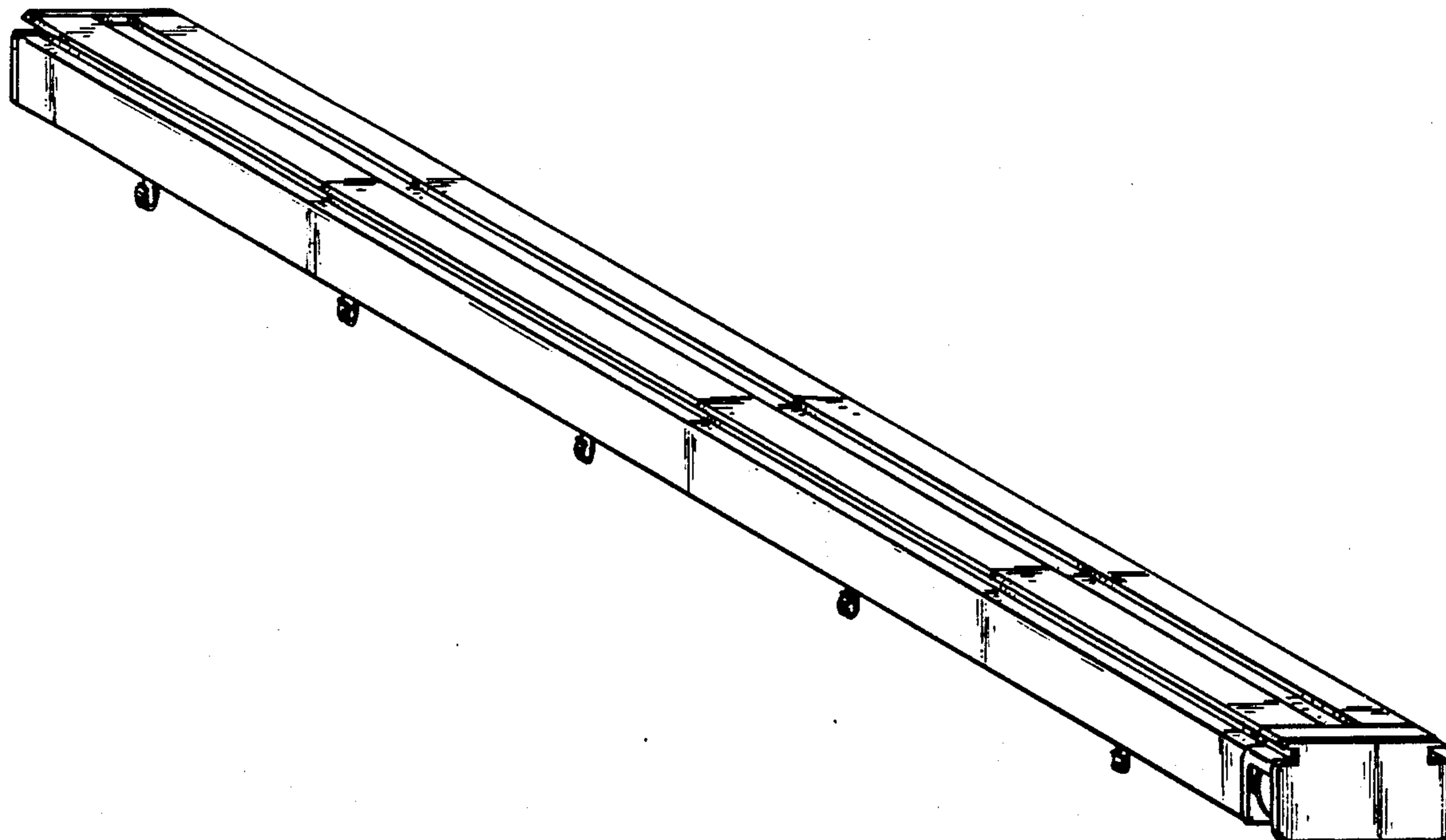
DESCRIPTION

[56] **References Cited**

U.S. PATENT DOCUMENTS

D. 103,354	2/1937	Wade et al.	D6/577
D. 124,082	12/1940	Schrack	D6/577
D. 162,325	3/1951	Lorentzen	D6/580
D. 294,321	2/1988	Olofsson	D6/577 X
D. 295,354	4/1988	De Block et al.	D6/577

FIG. 1 is a perspective view of a headrail for a venetian blind, showing my new design;
FIG. 2 is a rear elevational view;
FIG. 3 is a top plan view;
FIG. 4 is a front elevational view;
FIG. 5 is a bottom plan view;
FIG. 6 is a left end elevational view; and,
FIG. 7 is a right end elevational view thereof.



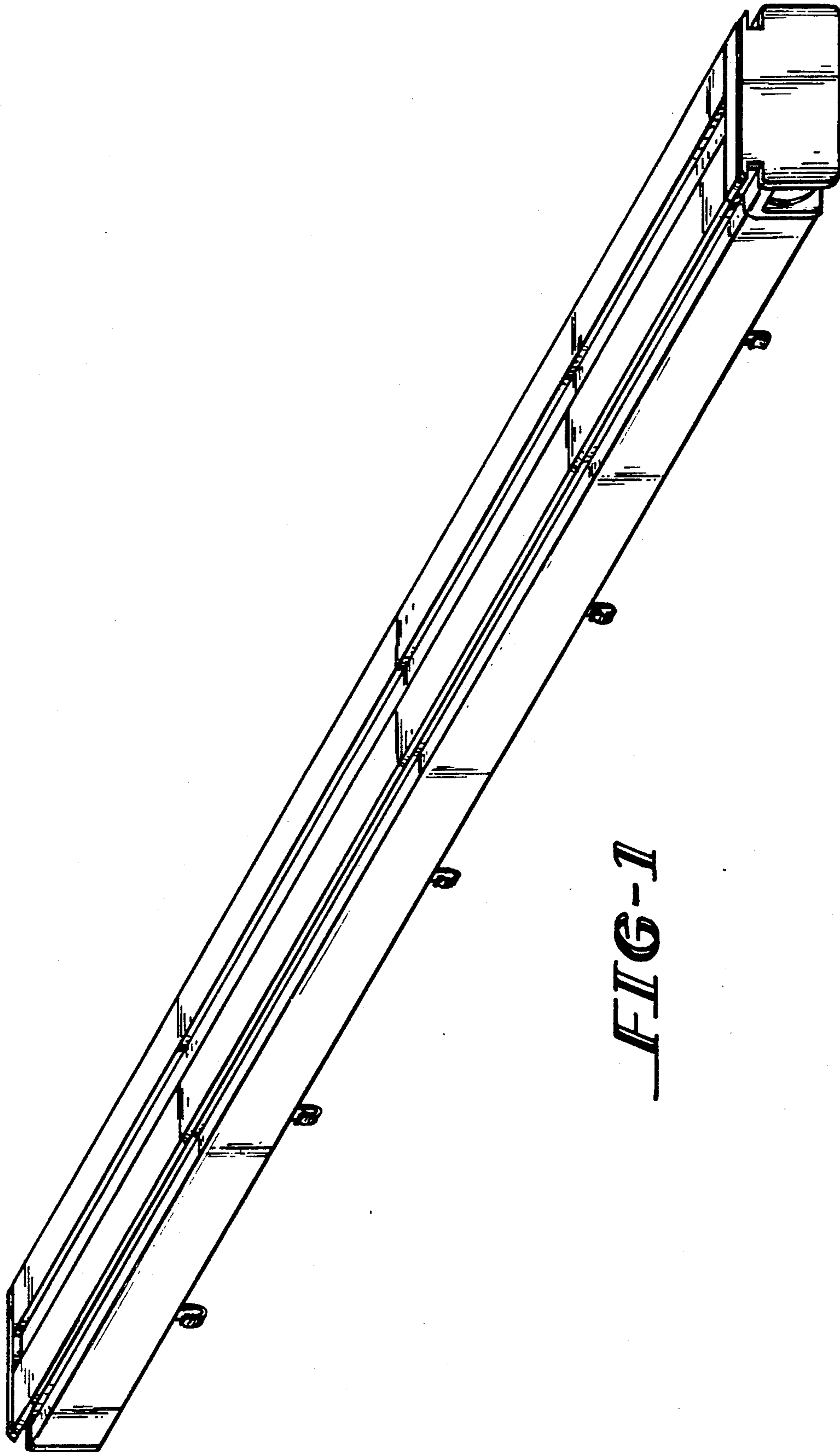


FIG-1

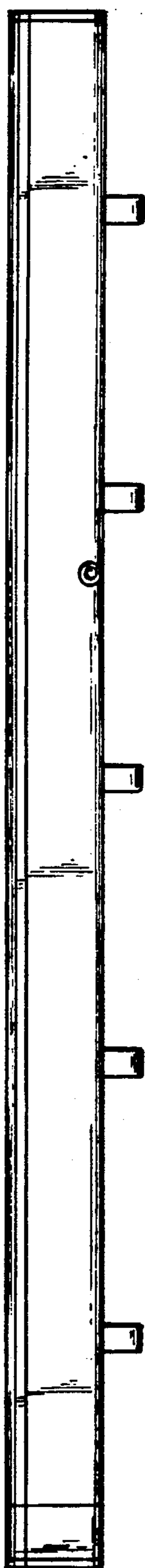


FIG-2

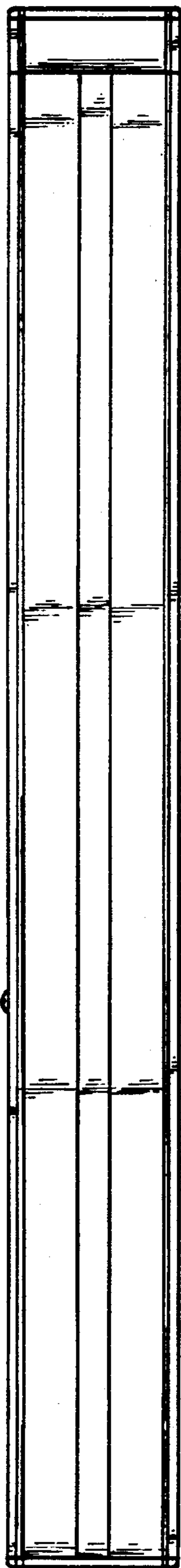


FIG-3

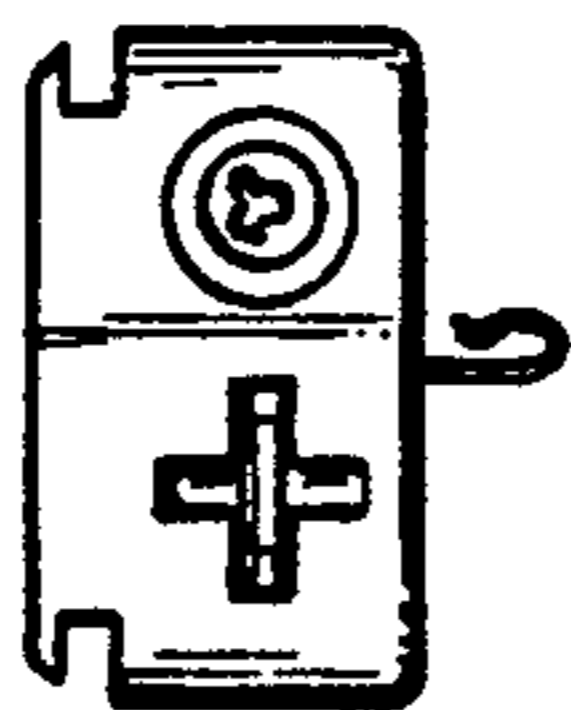


FIG-6

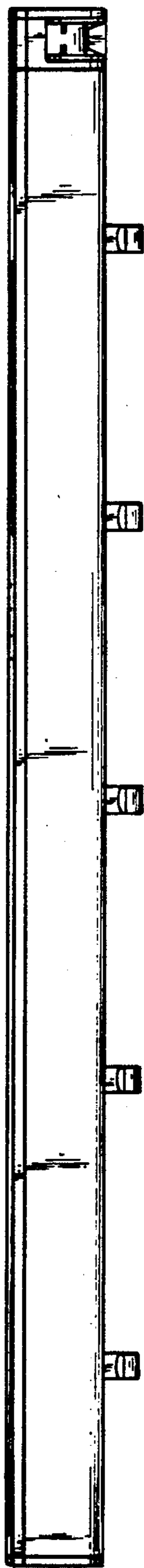


FIG-4

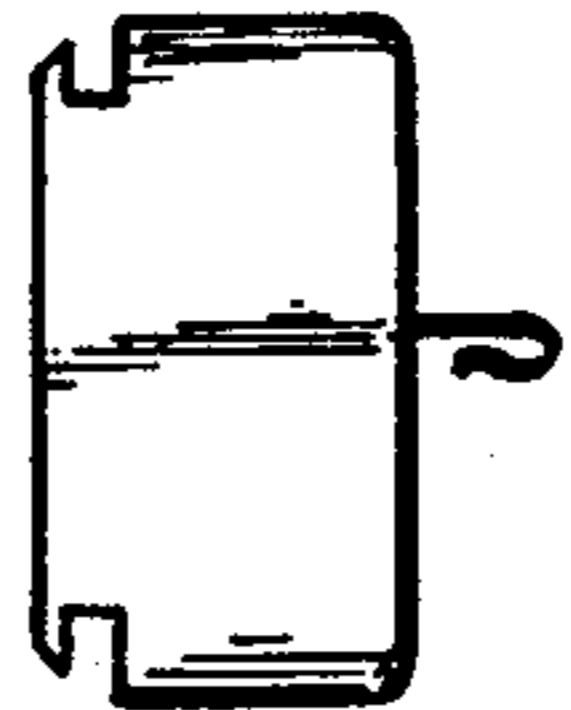


FIG-7

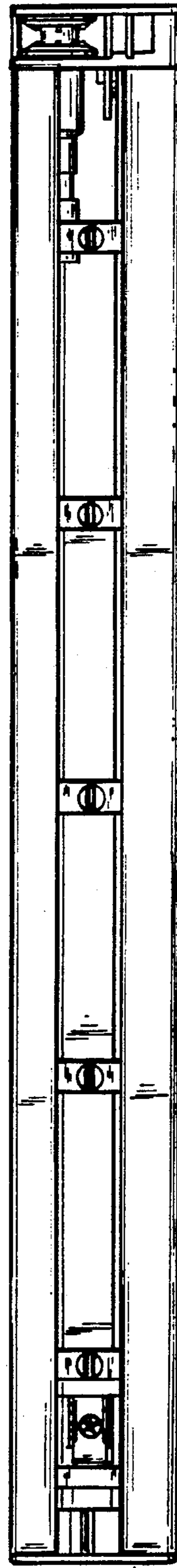


FIG-5