



US00D325679S

United States Patent [19]

[11] Patent Number: **Des. 325,679**

O'Mealy et al.

[45] Date of Patent: **** Apr. 28, 1992**

[54] **ROLLER STAND**

[75] Inventors: **Jeffrey B. O'Mealy; Lawrence D. Braddock, both of Portland, Oreg.**

[73] Assignee: **Trojan Manufacturing, Inc., Portland, Oreg.**

[**] Term: **14 Years**

[21] Appl. No.: **444,625**

[22] Filed: **Nov. 30, 1989**

[52] U.S. Cl. **D6/429; D6/396; D6/397; D6/425; D6/430; 193/42; 248/165; 248/170**

[58] Field of Search **D6/396, 397, 400, 409, D6/411, 412, 413, 414, 415, 422, 428, 429, 430, 432, 434, 435, 436, 437, 438, 440, 445, 446; 312/194, 198, 204, 244; 248/167, 165, 108, 221.4, 246, 188.6, 253; 211/254, 201**

[56] **References Cited**

U.S. PATENT DOCUMENTS

2,582,767 1/1952 Carey 248/165 X
3,083,806 4/1963 Haines 193/42
3,259,385 7/1966 Boren 248/165 X

FOREIGN PATENT DOCUMENTS

342729 of 1921 Fed. Rep. of Germany 144/287

537175 5/1922 France 193/42
2501983 9/1982 France 248/188.6
237450 8/1945 Switzerland 193/42
7757 7/1902 United Kingdom 193/42

OTHER PUBLICATIONS

Exhibit D, "Support Stand & Horizontal Head", p. 32, W. Grainger, Inc., has a base with three cast feet supporting a single column.

Primary Examiner—Bruce W. Dunkins
Assistant Examiner—Monica A. Hannon
Attorney, Agent, or Firm—Klarquist, Sparkman, Campbell, Leigh & Whinston

[57] **CLAIM**

The ornamental design for a roller stand, as shown and described.

DESCRIPTION

FIG. 1 is a front perspective view of a roller stand, in an open position, showing our new design;
FIG. 2 is a front perspective view in a closed position thereof;
FIG. 3 is a top plan view thereof;
FIG. 4 is a right side elevational view thereof;
FIG. 5 is a left side elevational view thereof;
FIG. 6 is a front elevational view thereof;
FIG. 7 is a rear elevational view thereof; and,
FIG. 8 is a bottom plan view thereof.

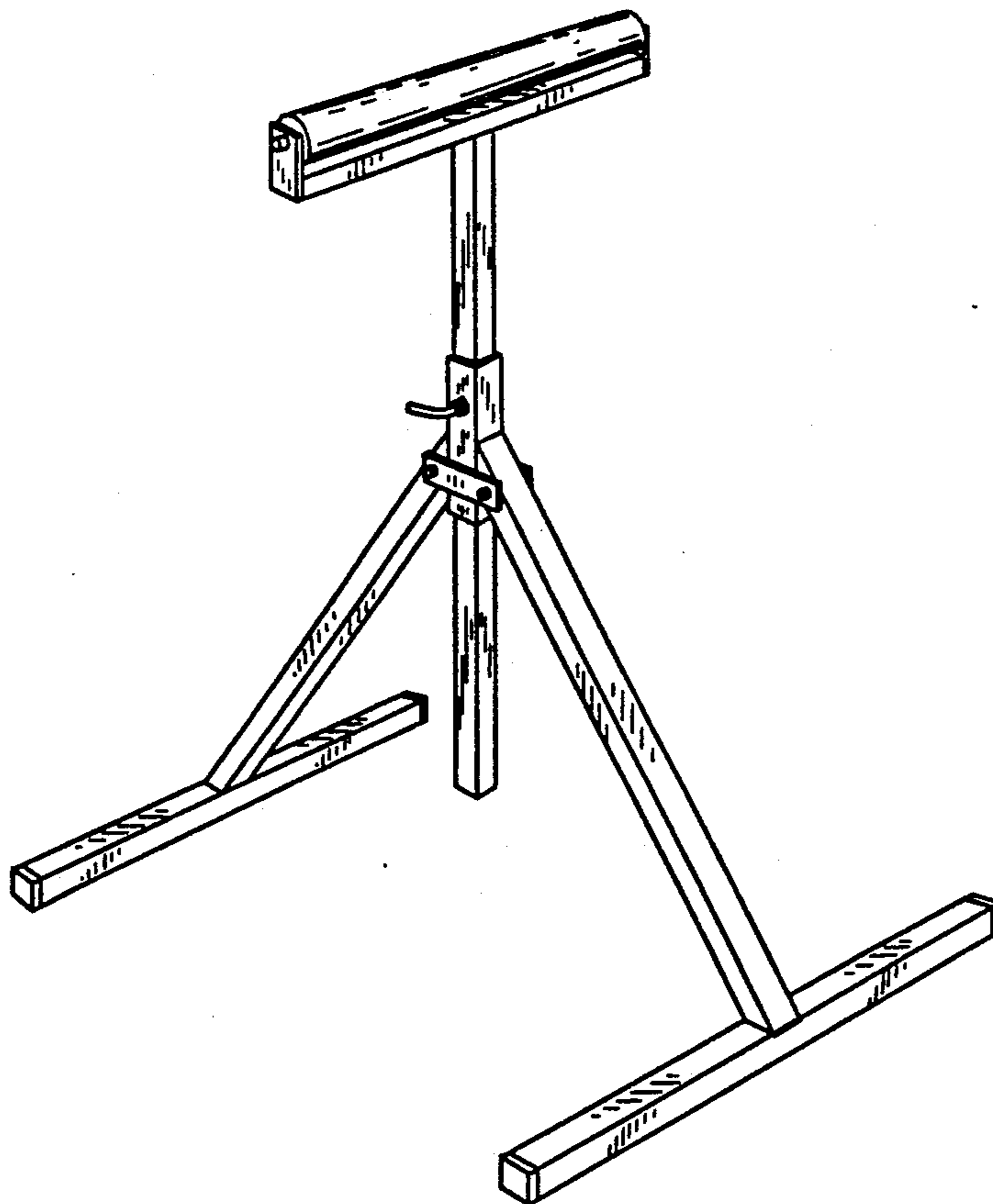


FIG. 1

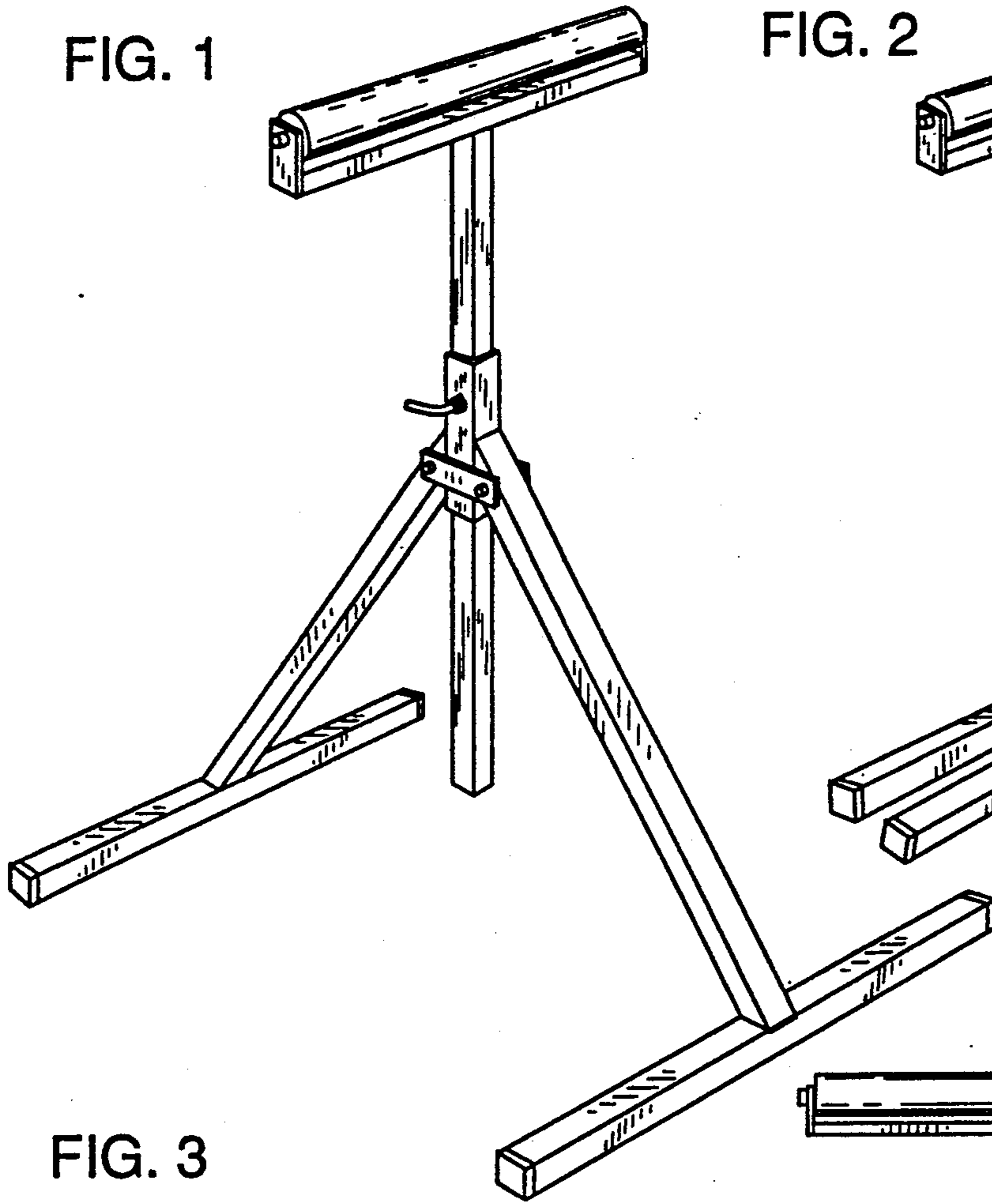


FIG. 2

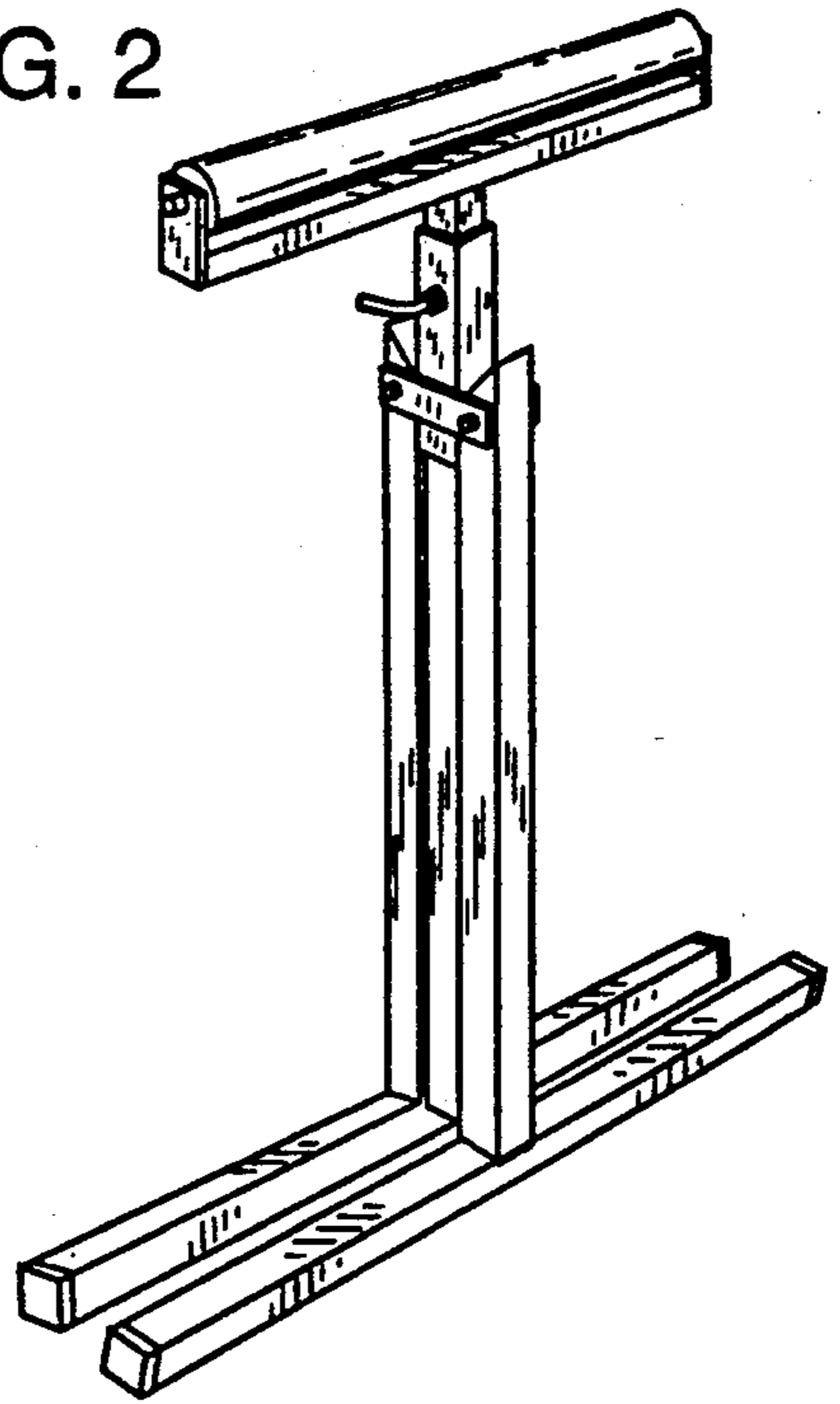


FIG. 3

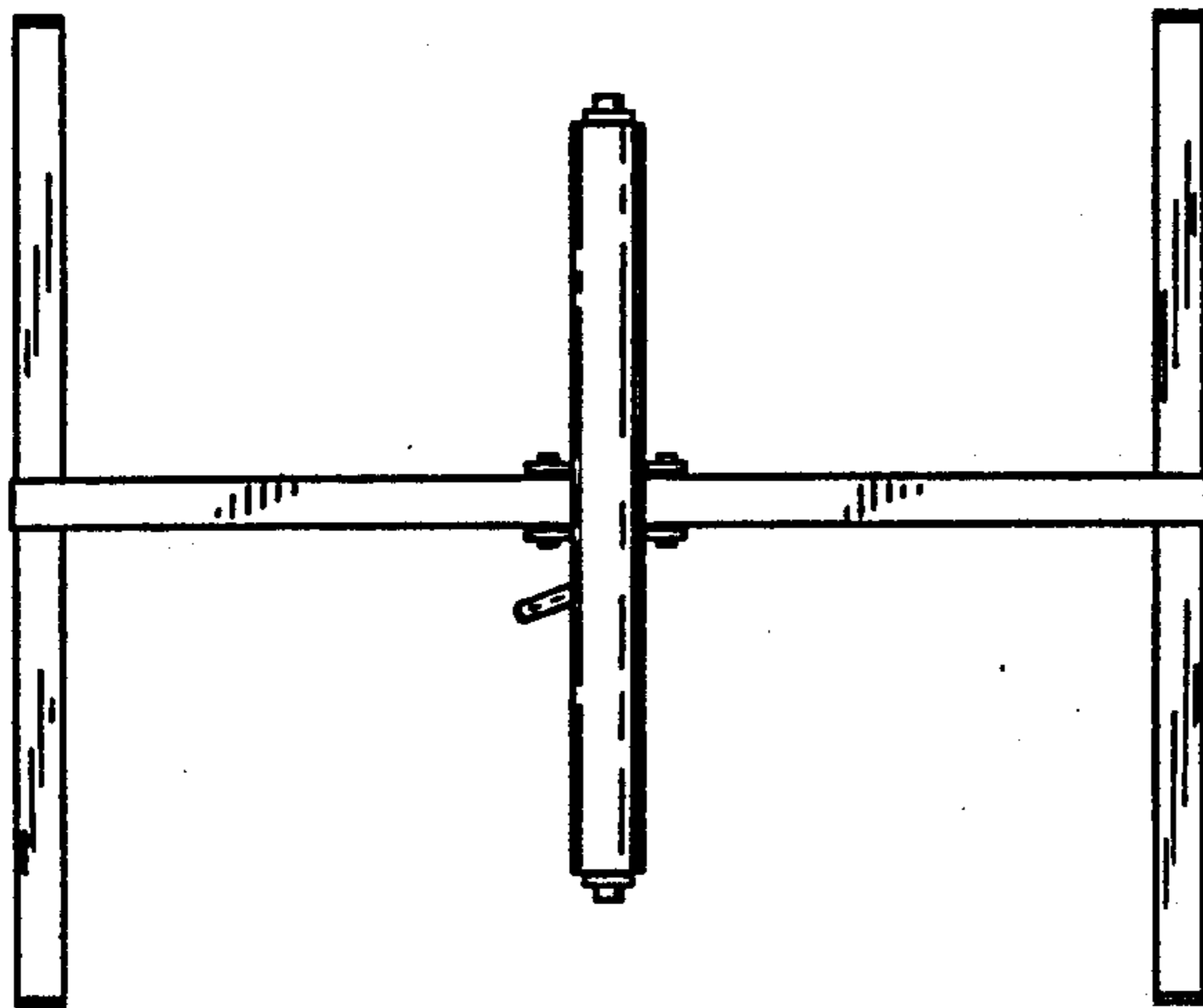
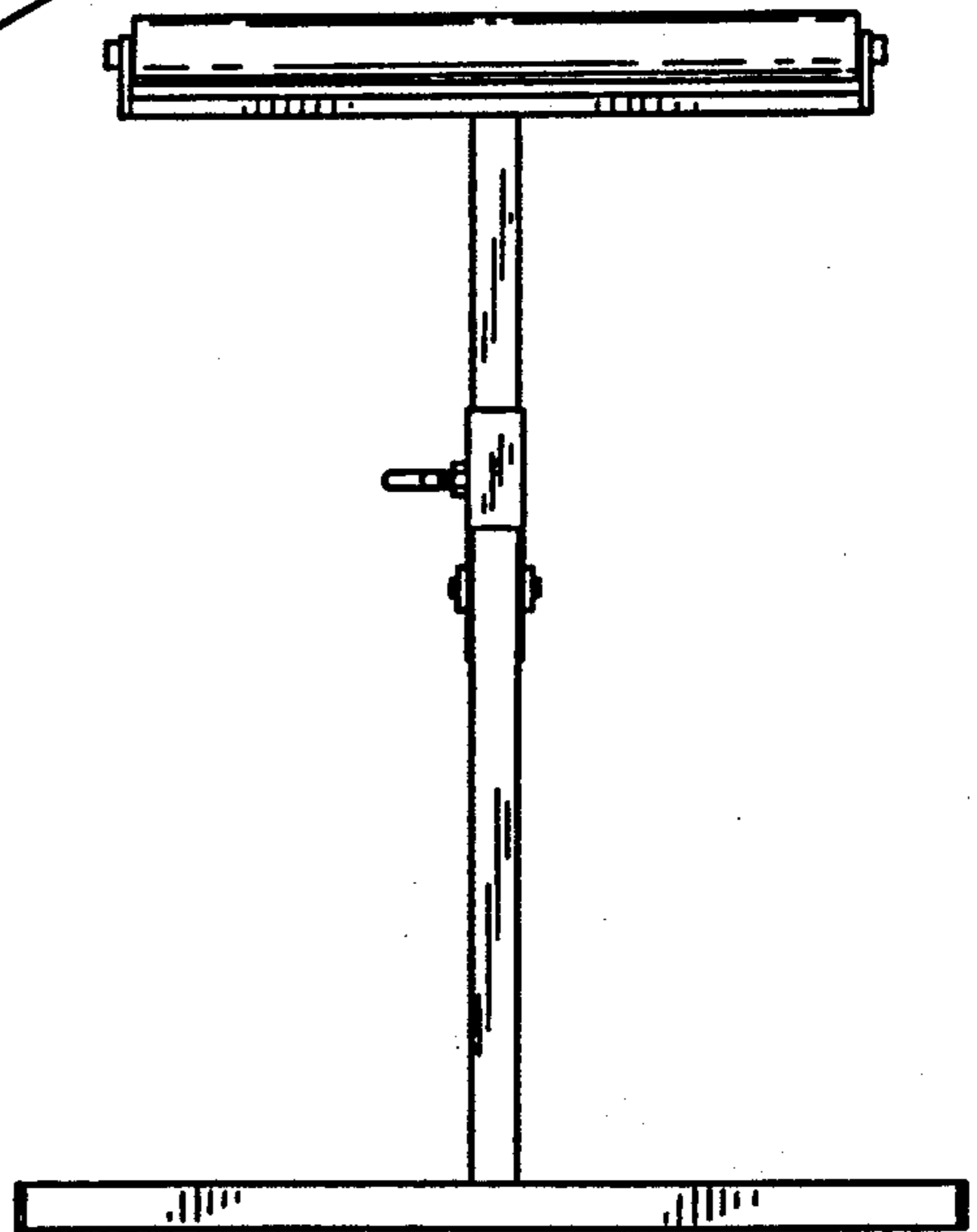


FIG. 4



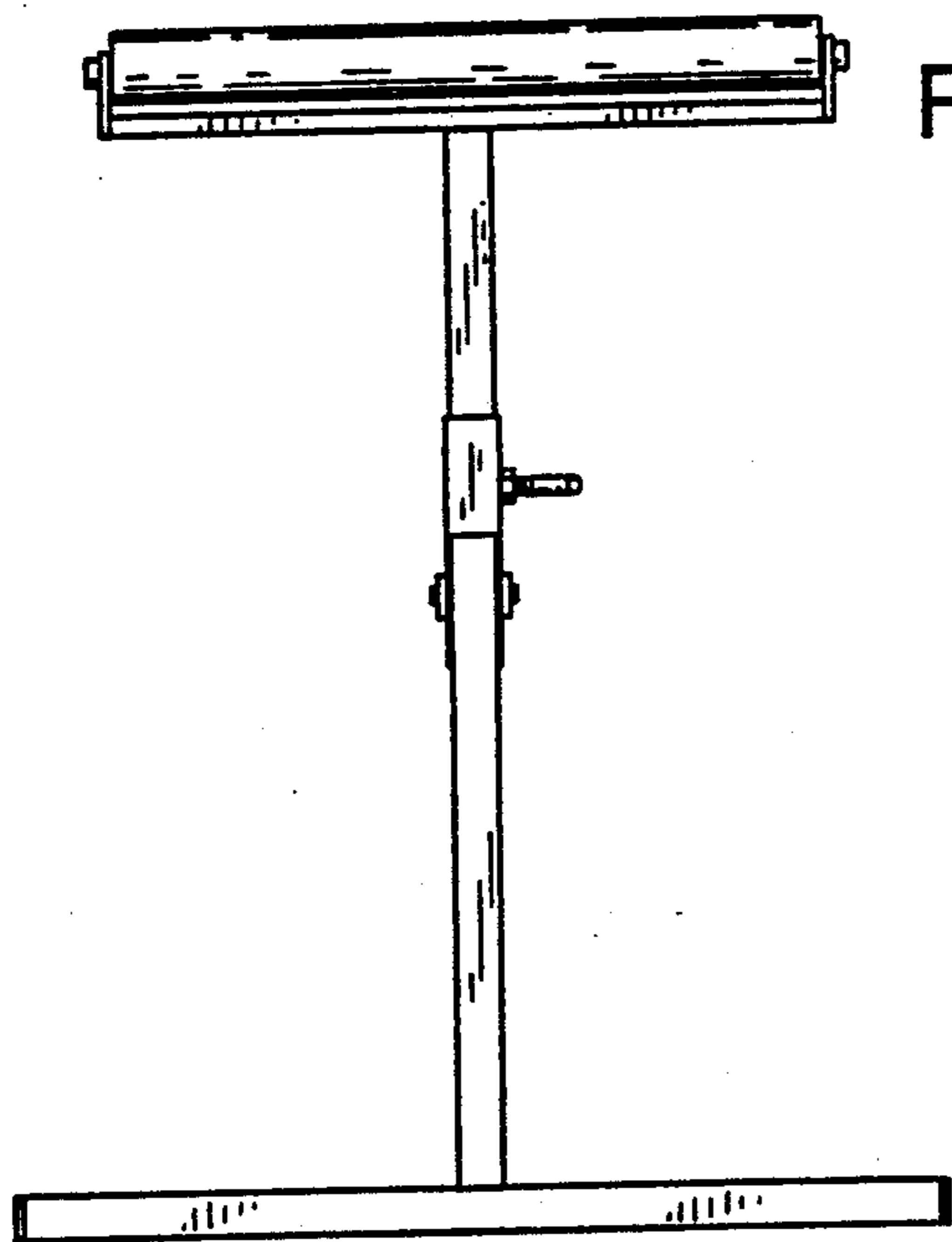


FIG. 5

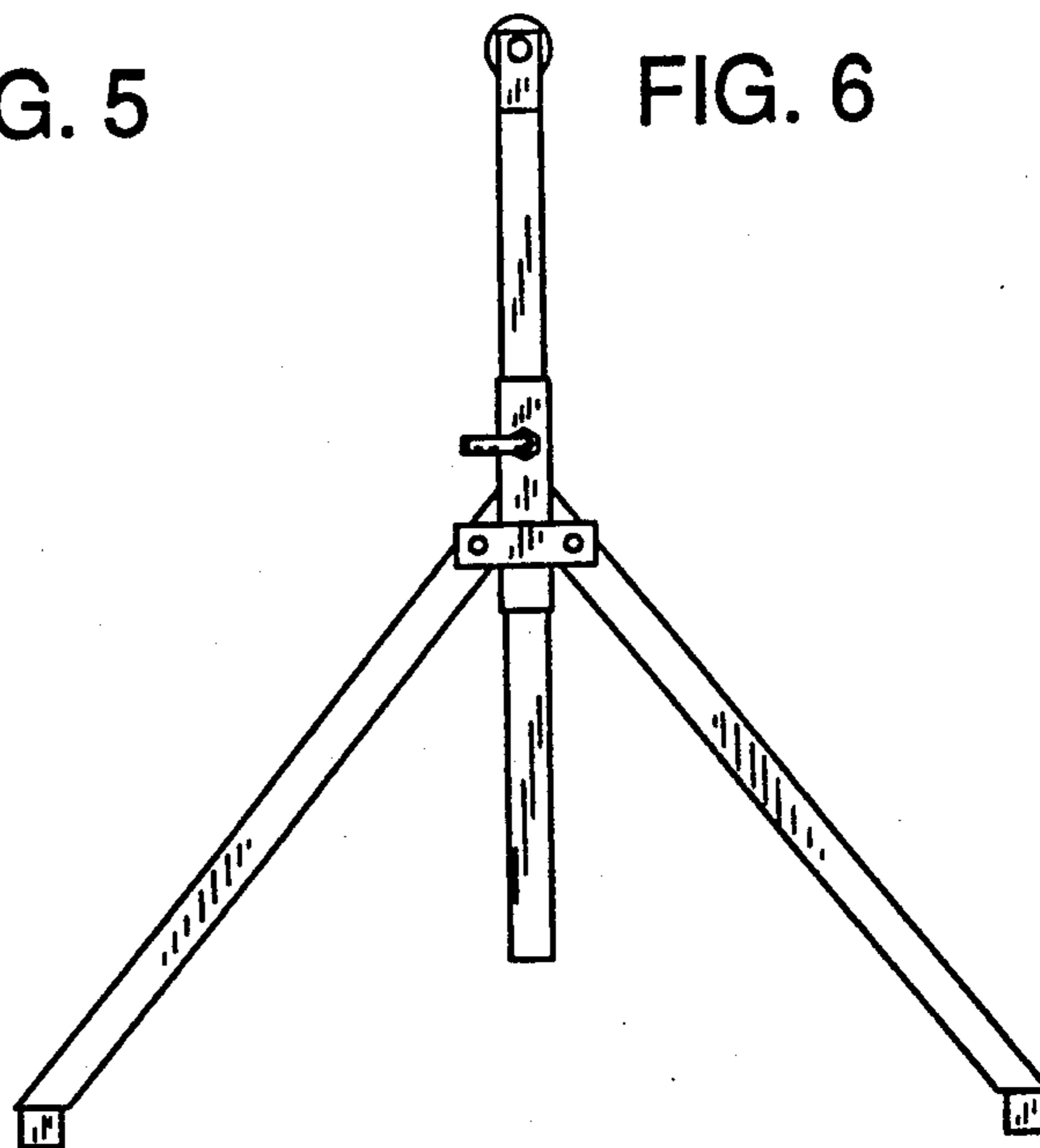


FIG. 6

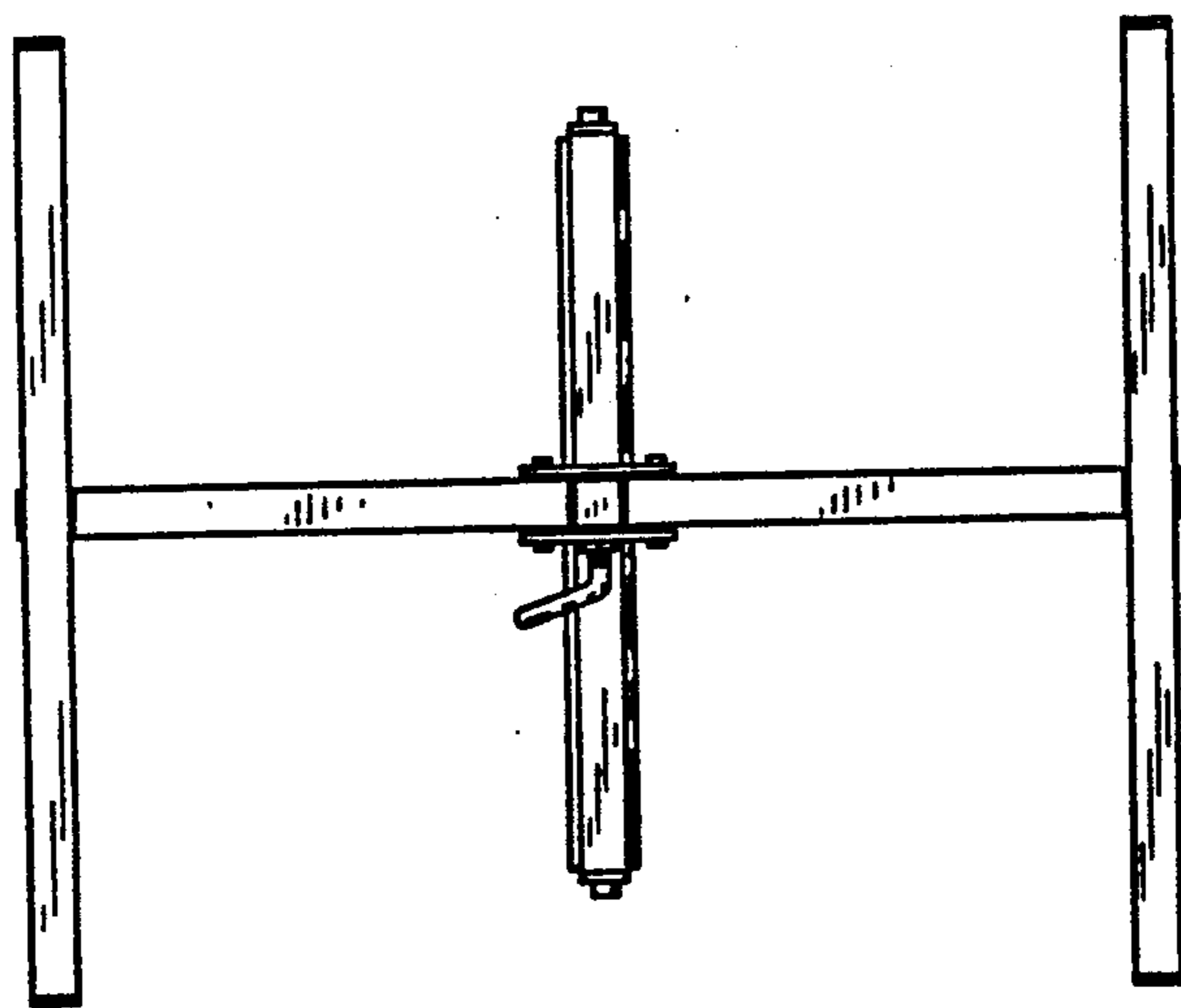


FIG. 8

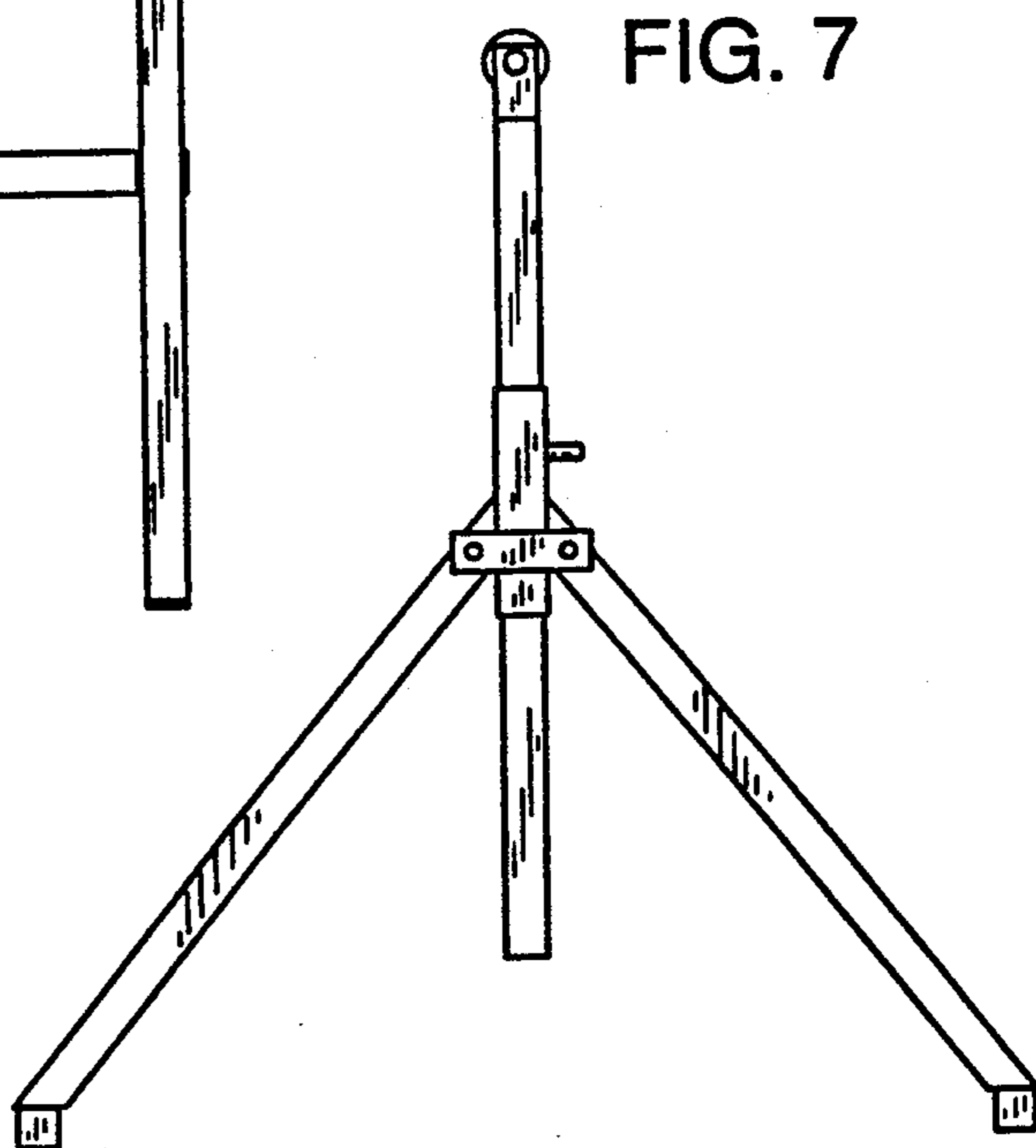


FIG. 7