



US00D325678S

United States Patent [19]

[11] Patent Number: **Des. 325,678**

Niles

[45] Date of Patent: **** Apr. 28, 1992**

[54] **COMBINED DRINK HOLDER AND FABRIC HOLDDOWN STAKE**

2,899,153	8/1959	Parker	248/156
3,767,355	10/1973	Anderson, Jr.	248/156
4,334,661	6/1982	Pitt	248/156
4,659,049	4/1987	Watson	248/156
4,927,118	5/1990	Pierorazio	248/156

[76] Inventor: **Rex B. Niles, P.O. Box 250, Redmond, Utah 84652**

[**] Term: **14 Years**

Primary Examiner—B. J. Bullock
Attorney, Agent, or Firm—A. Ray Osburn

[21] Appl. No.: **405,845**

[57] **CLAIM**

[22] Filed: **Sep. 11, 1989**

The ornamental design of a combined drink holder and fabric holddown stake, as shown and described.

Related U.S. Application Data

DESCRIPTION

[63] Continuation-in-part of Ser. No. 340,596, Apr. 20, 1989.

FIG. 1 is a top perspective view of a combined drink holder and fabric holddown stake showing my new design;

[52] U.S. Cl. **D6/417; D8/1; D8/388**

FIG. 2 is a front elevational view thereof;

[58] Field of Search **D8/1, 388, 391, 392; D6/417; 248/156, 311.2, 499; 5/417**

FIG. 3 is a right side elevational view thereof, the drink holder shown broken away for convenience of illustration;

[56] **References Cited**

U.S. PATENT DOCUMENTS

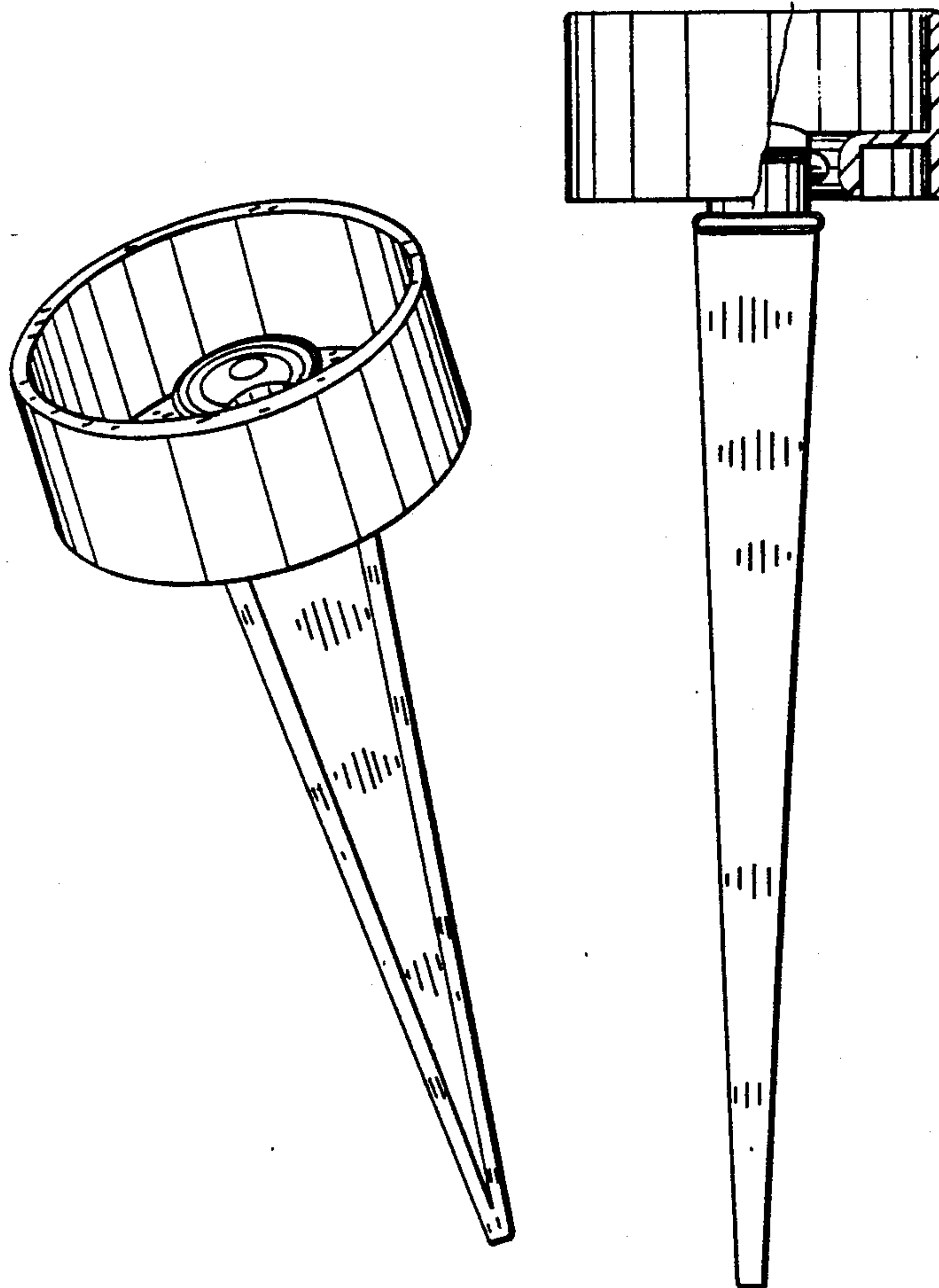
FIG. 4 is a rear elevational view thereof, the drink holder shown broken away for convenience of illustration;

D. 231,628	5/1974	Bartels	D8/1
D. 240,754	7/1976	Shroyer	D8/1
D. 270,133	8/1983	Craig	D8/388
D. 275,555	9/1984	Giggey	D8/388
D. 285,409	9/1986	Lemkin et al.	D8/1

FIG. 5 is a left side elevational view thereof;

FIG. 6 is a top plan view thereof; and,

FIG. 7 is a bottom plan view thereof.



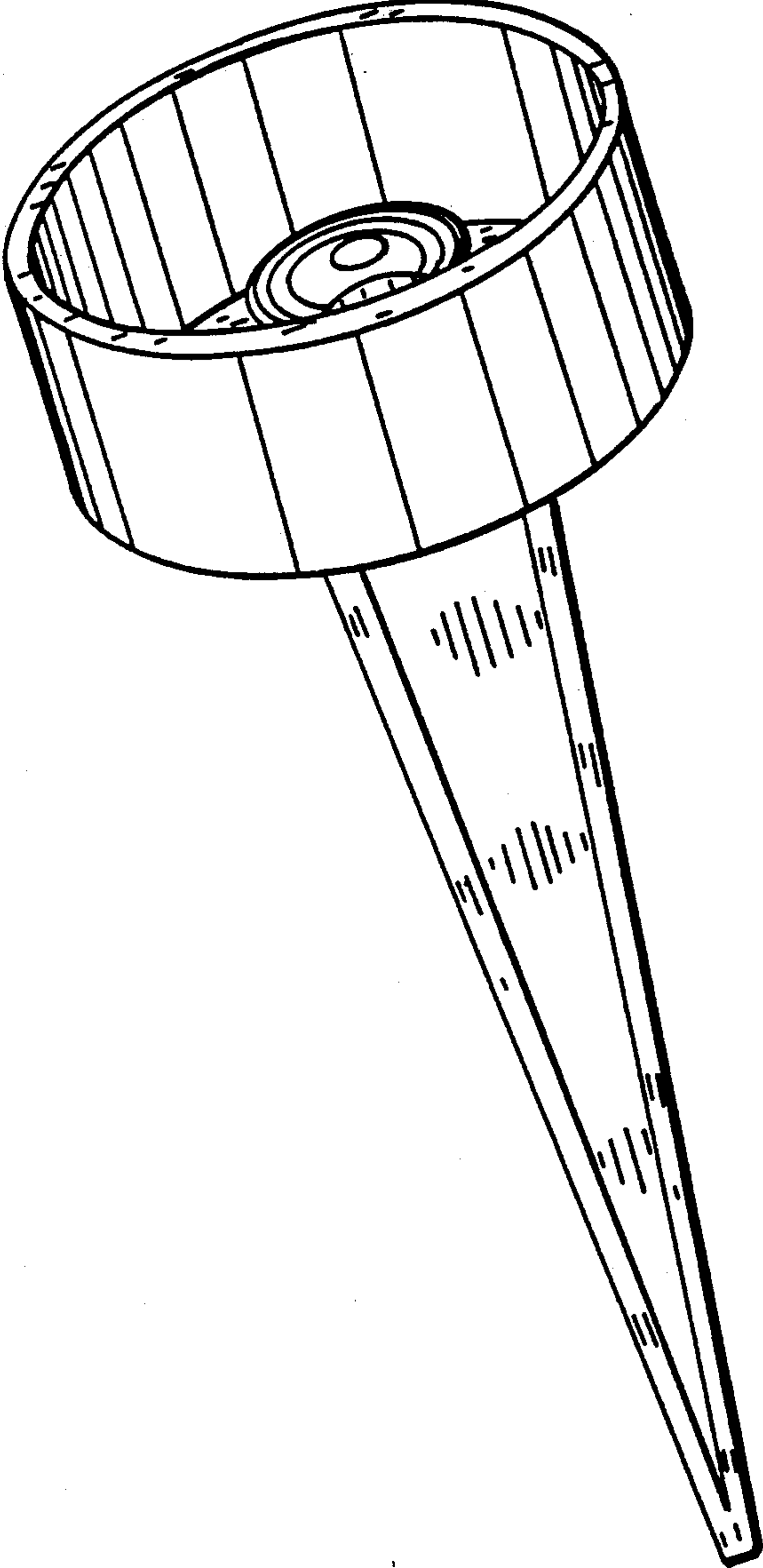


FIG. 1

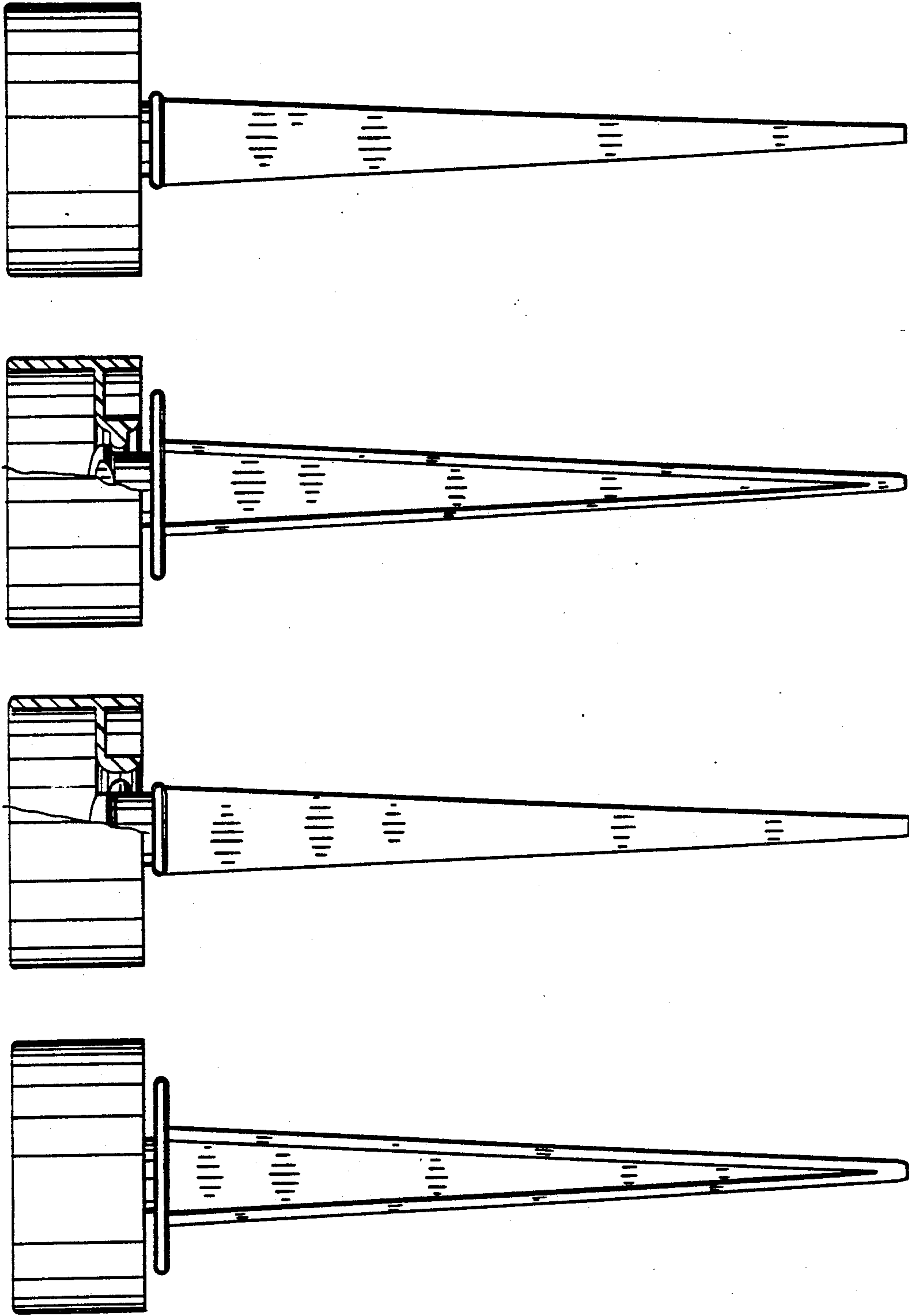


FIG. 5

FIG. 4

FIG. 3

FIG. 2

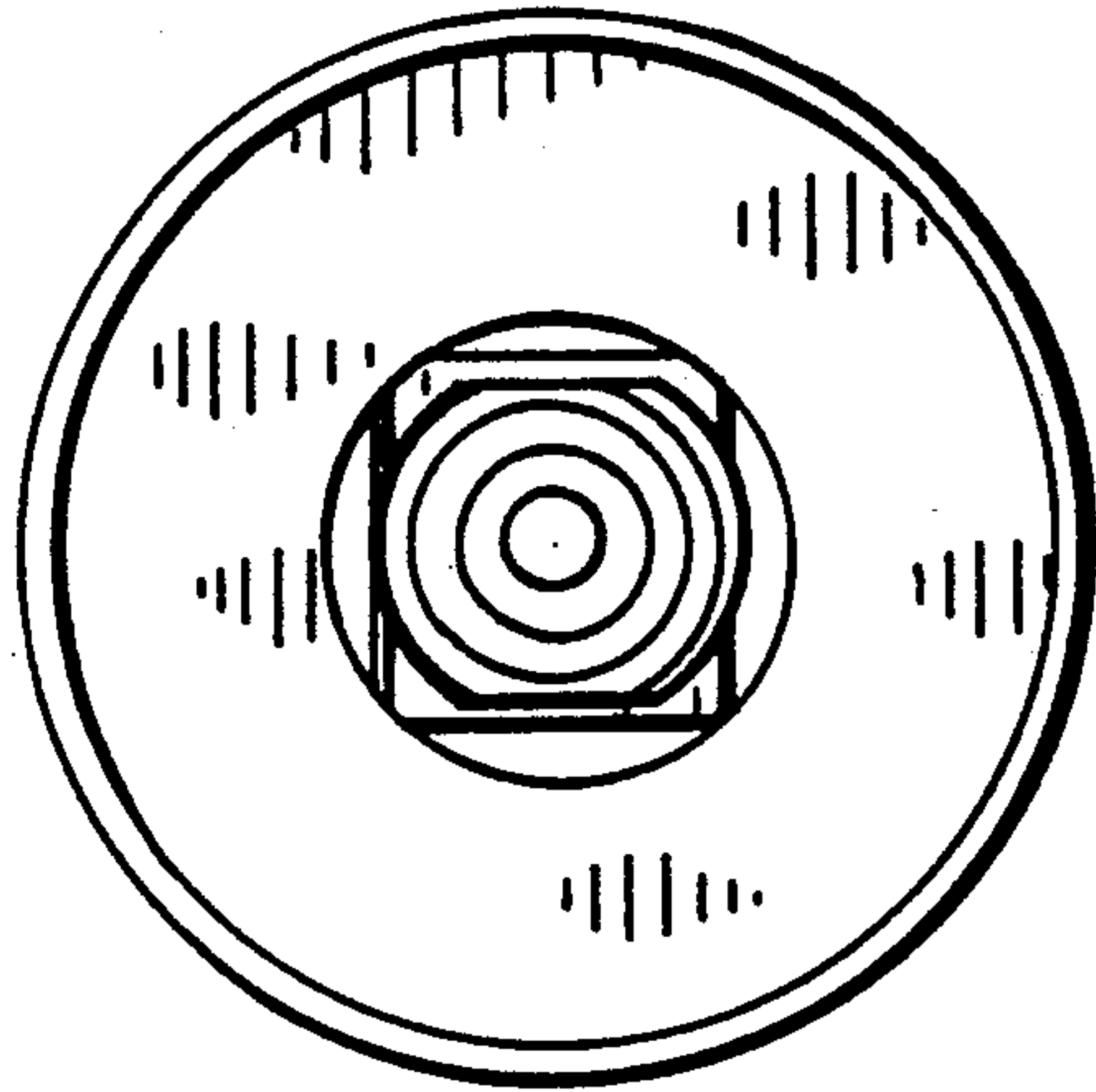


FIG. 6

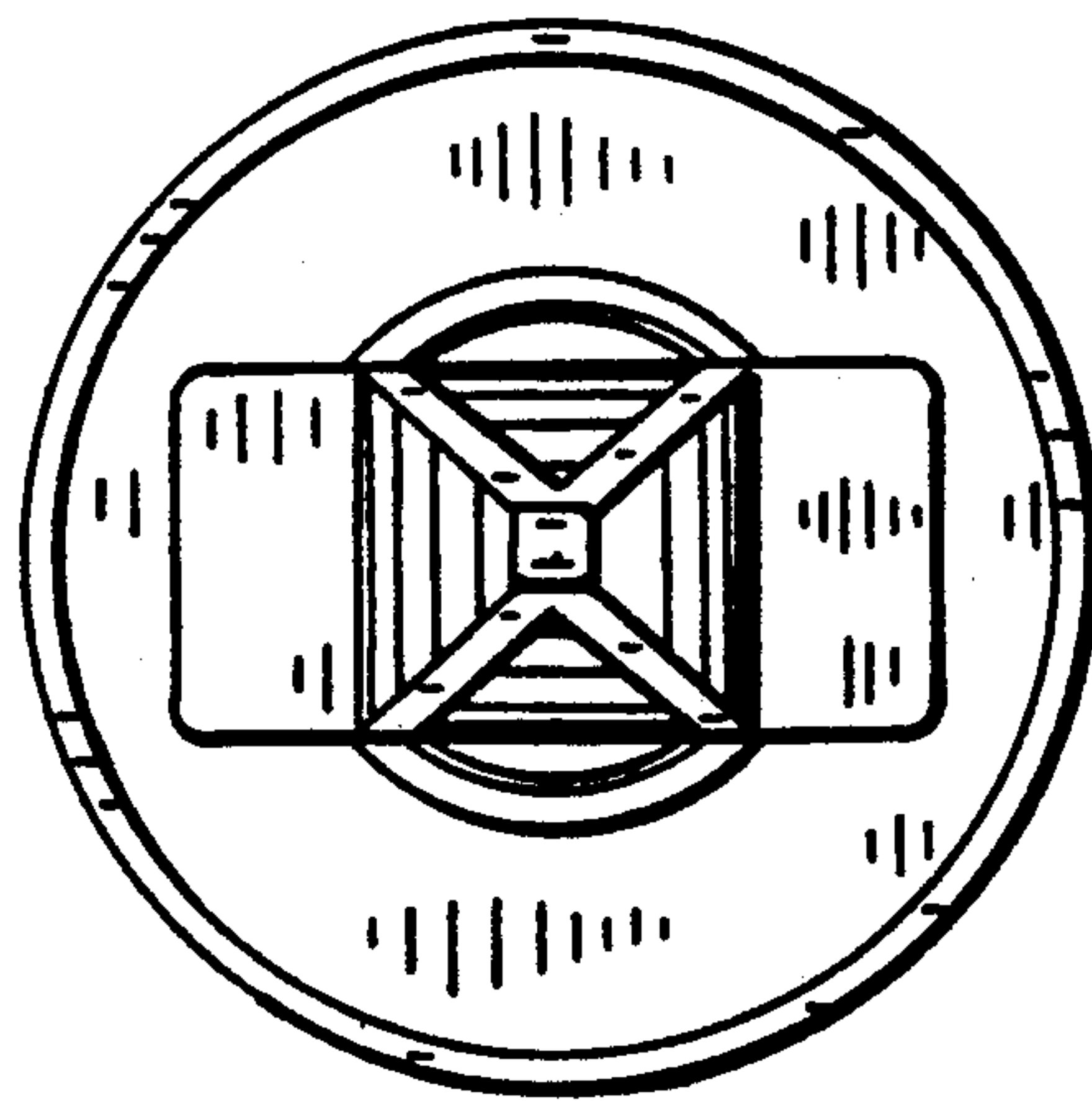


FIG. 7