



US00D325672S

# United States Patent [19]

[11] Patent Number: **Des. 325,672**

**Baker**

[45] Date of Patent: **\*\* Apr. 28, 1992**

[54] **COMBINED LIGHTED FISHING TACKLE AND TOOL BOX**

1,316,335 9/1919 Schoenborn ..... 190/114  
3,050,356 8/1962 Messmer ..... 206/315.11  
4,085,987 4/1978 Vartdal ..... 206/315.11 X

[76] Inventor: **Todd C. Baker, 35837 Burning Tree, Newark, Calif. 94560**

*Primary Examiner*—A. Hugo Word  
*Assistant Examiner*—M. N. Pandozzi  
*Attorney, Agent, or Firm*—Leon Gilden

[\*\*] Term: **14 Years**

[21] Appl. No.: **402,429**

[57] **CLAIM**

[22] Filed: **Sep. 5, 1989**

The ornamental design for a combined lighted fishing tackle and tool box, as shown and described.

[52] U.S. Cl. .... **D3/38; D3/36; D3/70**

**DESCRIPTION**

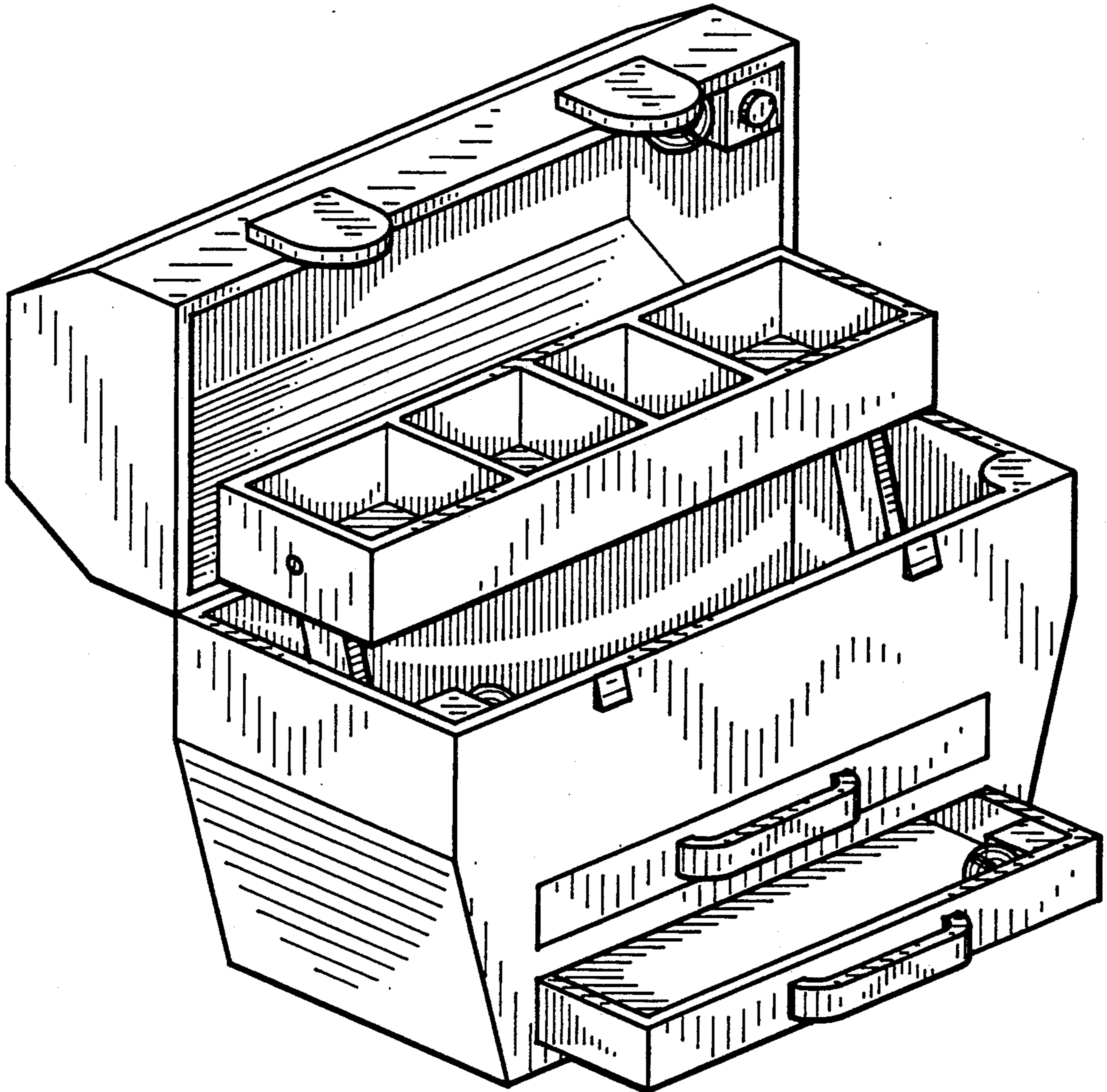
[58] Field of Search ..... **D3/38, 36, 70, 72, 73, D3/74, 75, 30.1; 190/114, 112, 111; 206/315.11, 373; 312/DIG. 33; 43/54.1, 57.1, 57.2; 362/156, 154**

FIG. 1 is a front elevational view of a combined lighted fishing tackle and tool box showing my new design; FIG. 2 is a rear elevational view thereof; FIG. 3 is a left side elevational view thereof; FIG. 4 is a right side elevational view thereof; FIG. 5 is a top plan view thereof; FIG. 6 is a bottom plan view thereof; and, FIG. 7 is a top, front, left perspective view thereof.

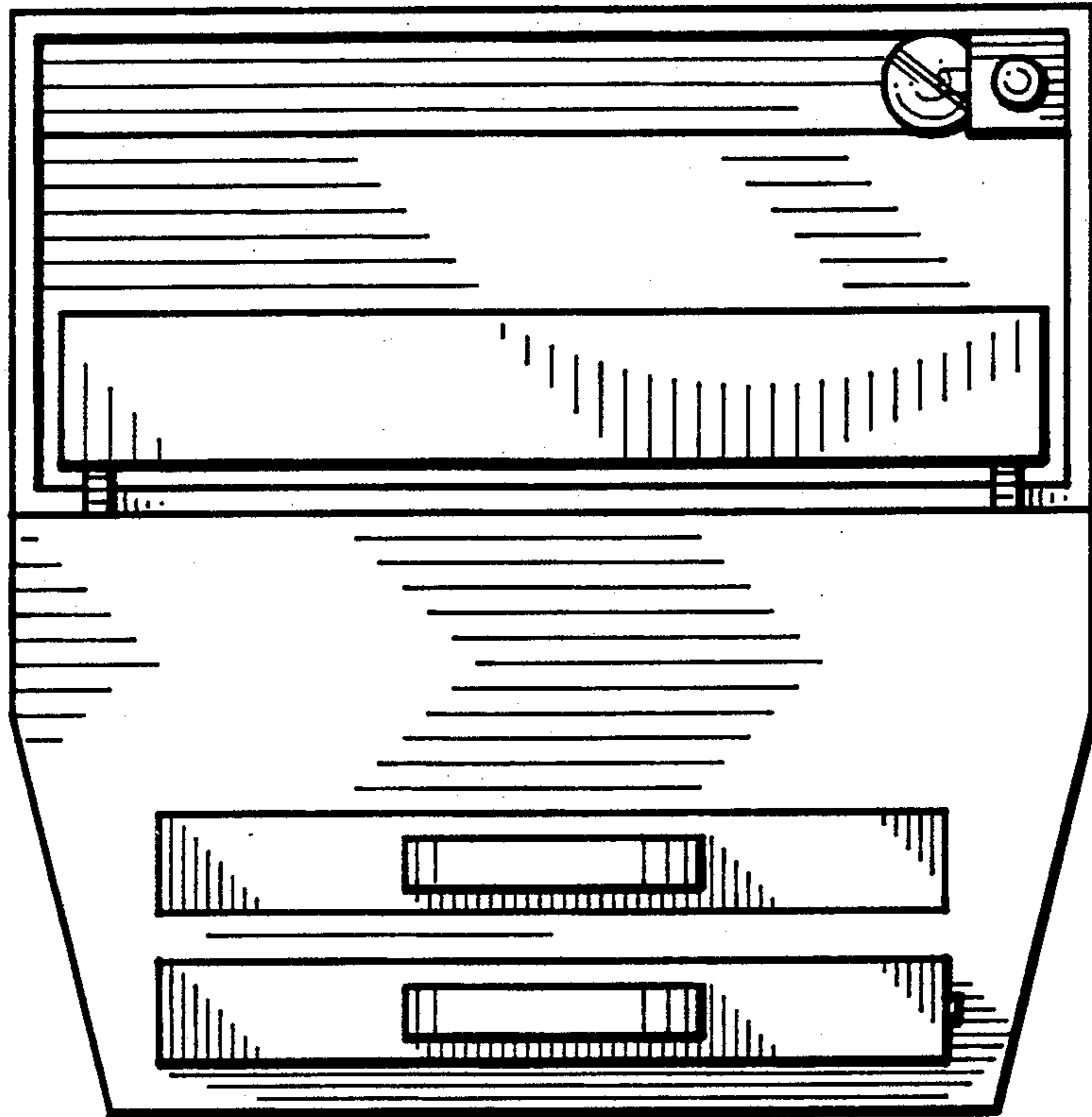
[56] **References Cited**

**U.S. PATENT DOCUMENTS**

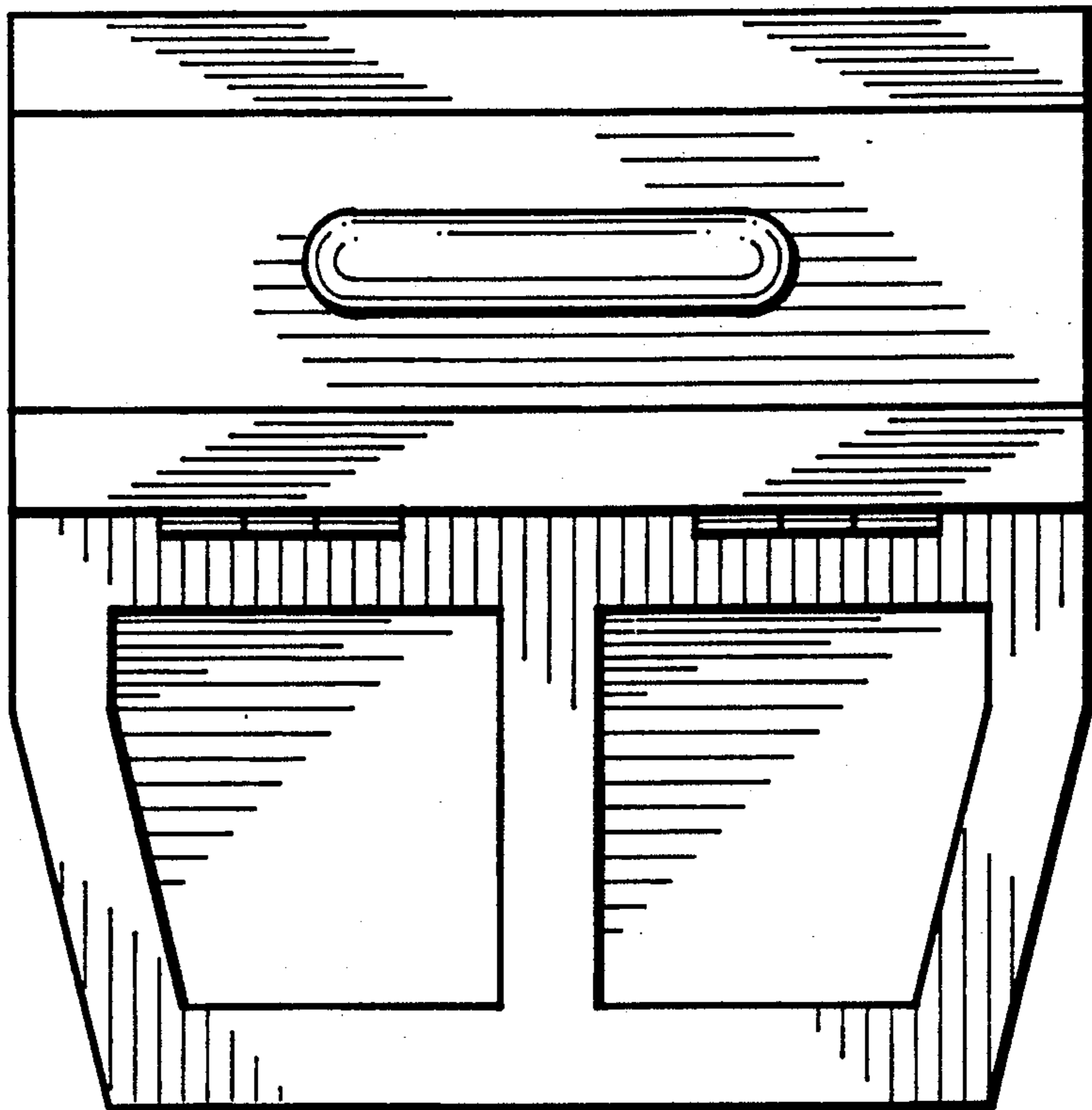
D. 237,121 10/1975 Metzner ..... **D3/74 X**

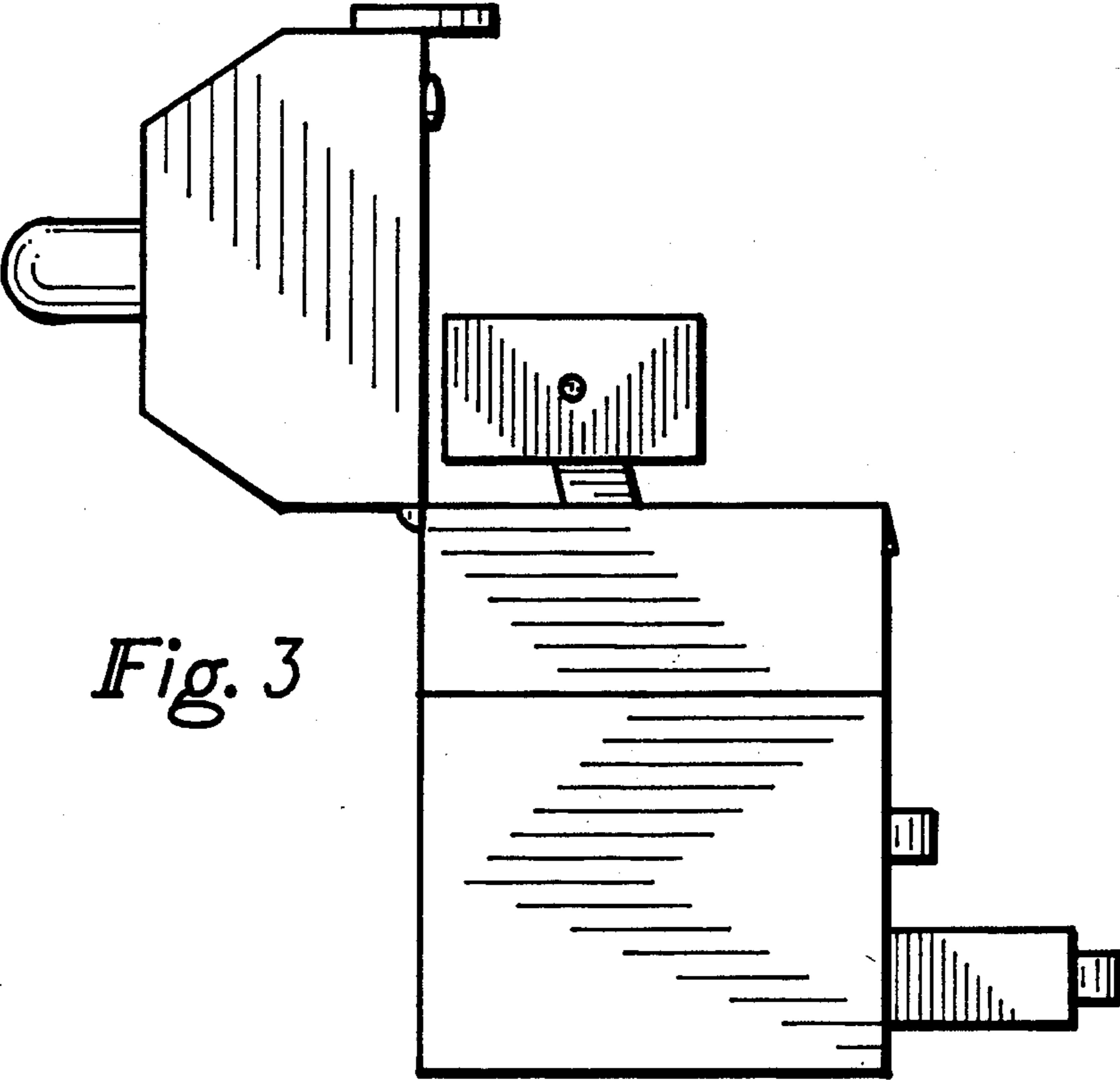


*Fig. 1*

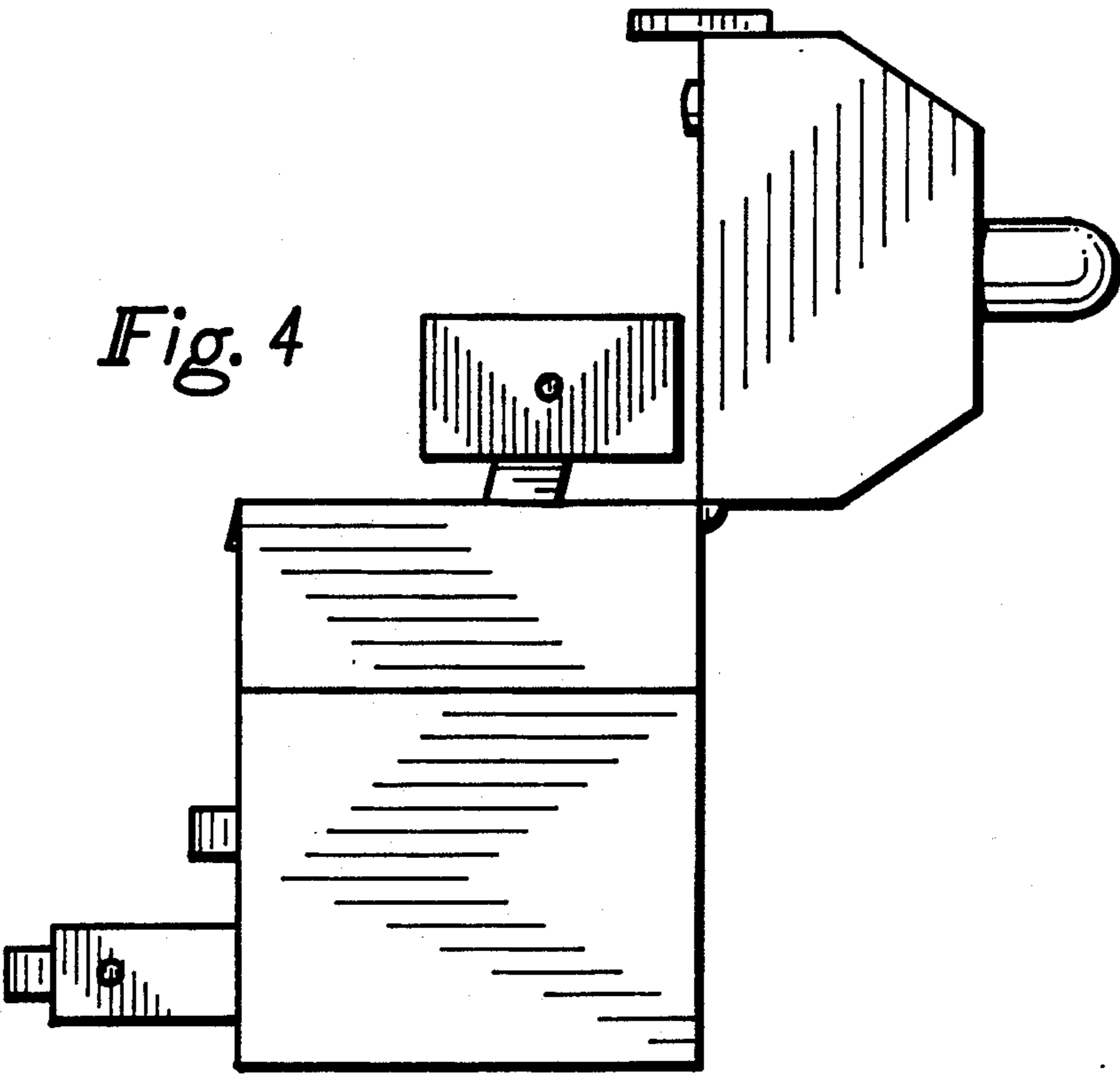


*Fig. 2*



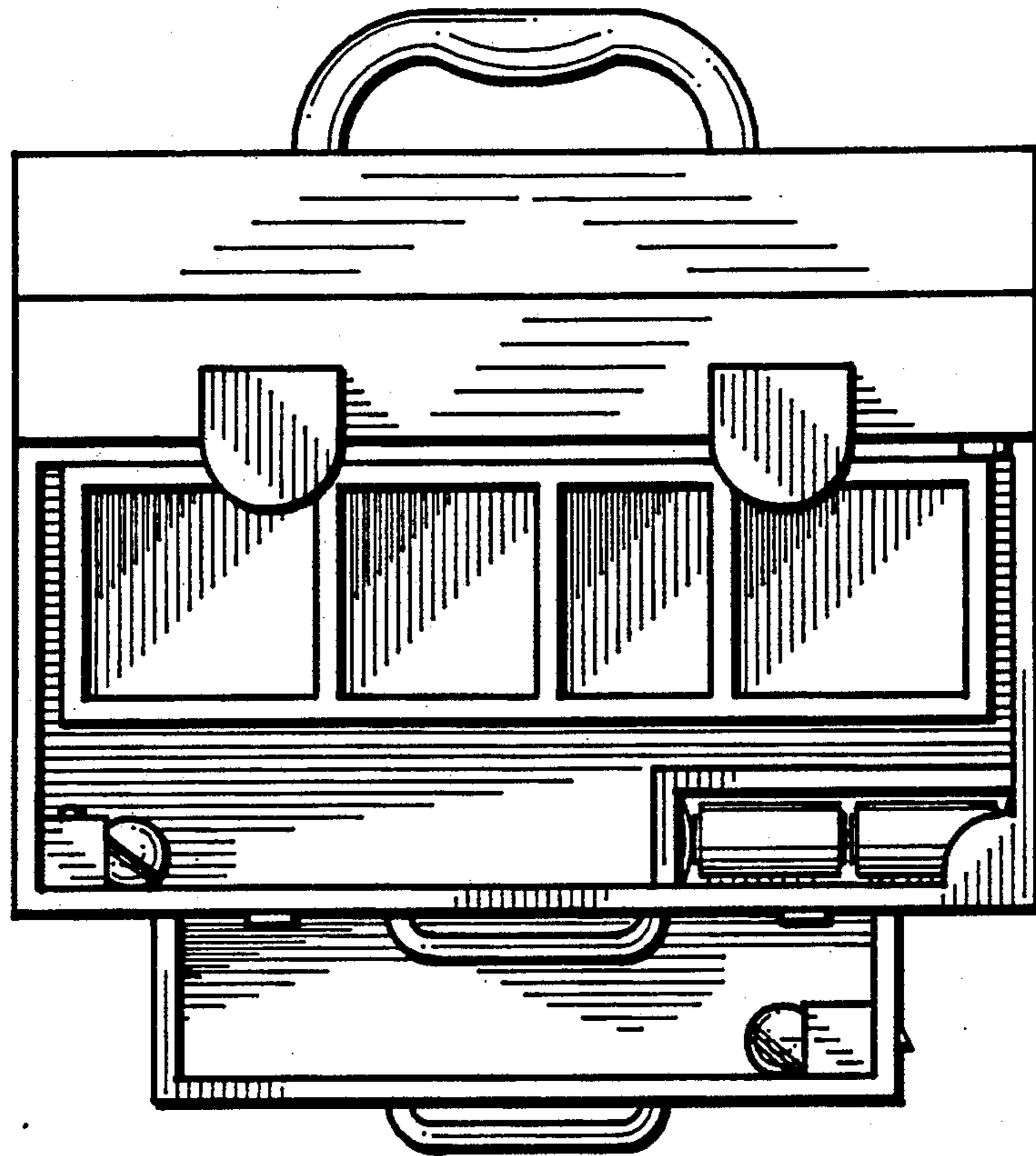


*Fig. 3*

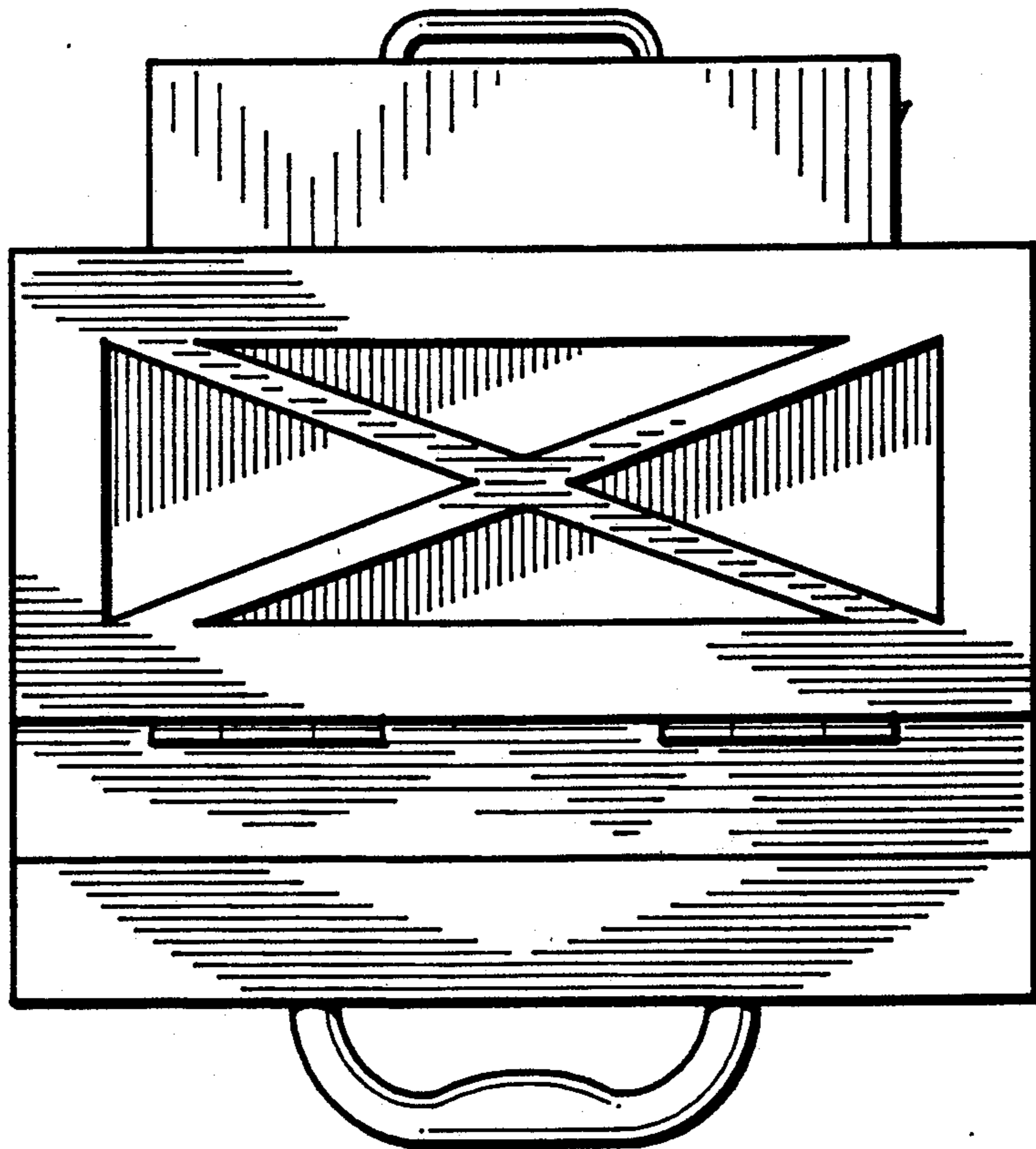


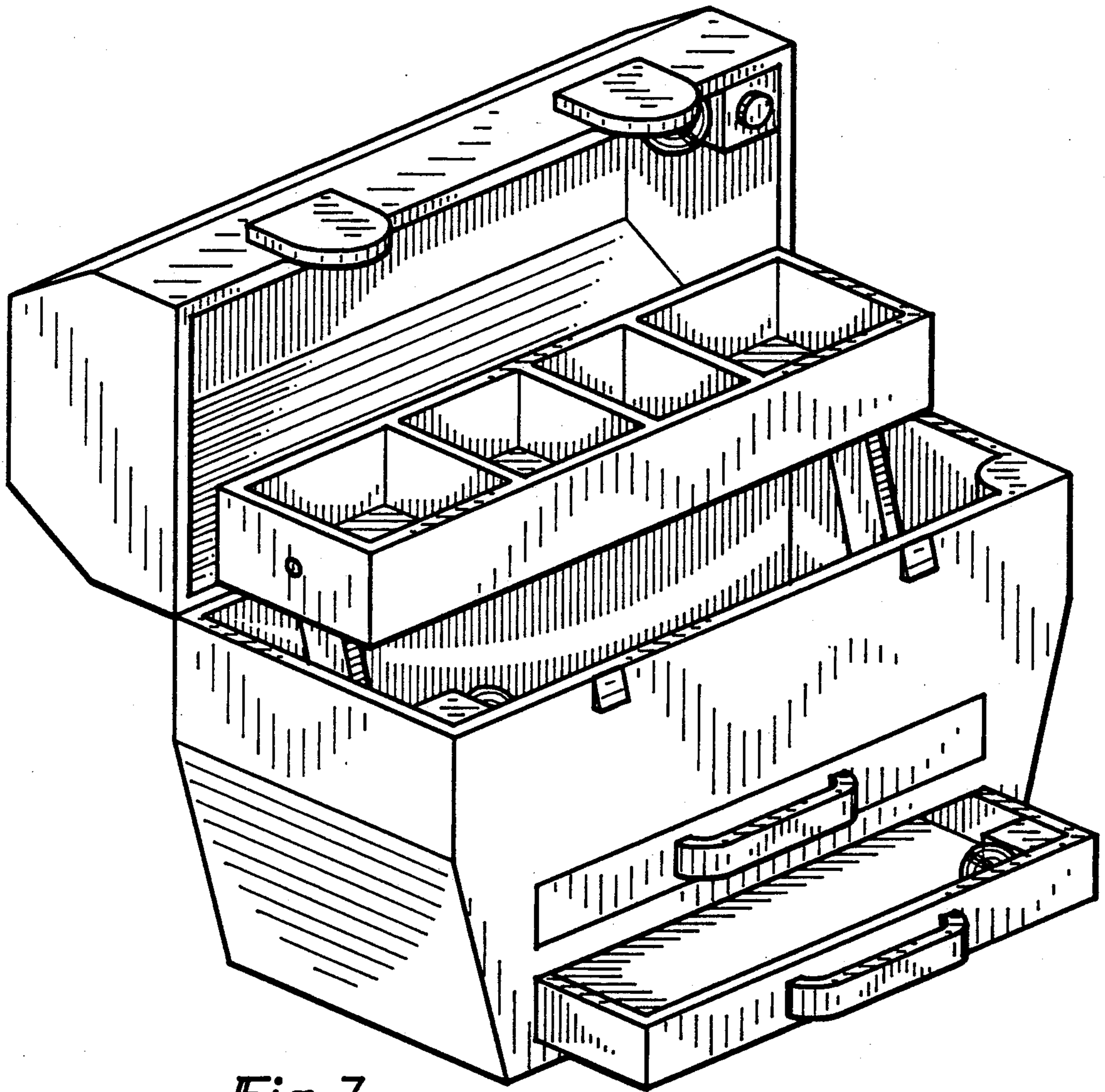
*Fig. 4*

*Fig. 5*



*Fig. 6*





*Fig. 7*