



US00D325661S

# United States Patent [19]

[11] Patent Number: **Des. 325,661**

Hutchings et al.

[45] Date of Patent: **\*\* Apr. 21, 1992**

## [54] BATTERY CART FOR A CARPET SWEEPER

[75] Inventors: **Alan D. Hutchings; Peter W. Von Vett**, both of Englewood, Colo.

[73] Assignee: **Windsor Industries, Inc.**, Englewood, Colo.

[\*\*] Term: **14 Years**

[21] Appl. No.: **456,288**

[22] Filed: **Dec. 26, 1989**

[52] U.S. Cl. .... **D34/27**

[58] Field of Search ..... **D32/16, 25, 31, 39; D34/24, 26, 27; 280/63, 652, 481, 65**

### [56] References Cited

#### U.S. PATENT DOCUMENTS

- D. 210,360 3/1968 Gerakos ..... D34/24
- D. 211,981 8/1968 Kelley ..... D34/24
- D. 292,639 11/1987 Kean et al. .... D34/24

### OTHER PUBLICATIONS

Two pictures of a prior battery cart of the assignee, Windsor Industries, Inc.

*Primary Examiner*—A. Hugo Words

*Assistant Examiner*—Ruth McInroy

*Attorney, Agent, or Firm*—W. Scott Carson

### [57] CLAIM

The ornamental design for a battery cart for a carpet sweeper, as shown and described.

### DESCRIPTION

FIG. 1 is a perspective view of a battery cart for a carpet sweeper showing our new design, the battery case shown in broken lines is for illustrative purposes only and forms no part of the claimed design;

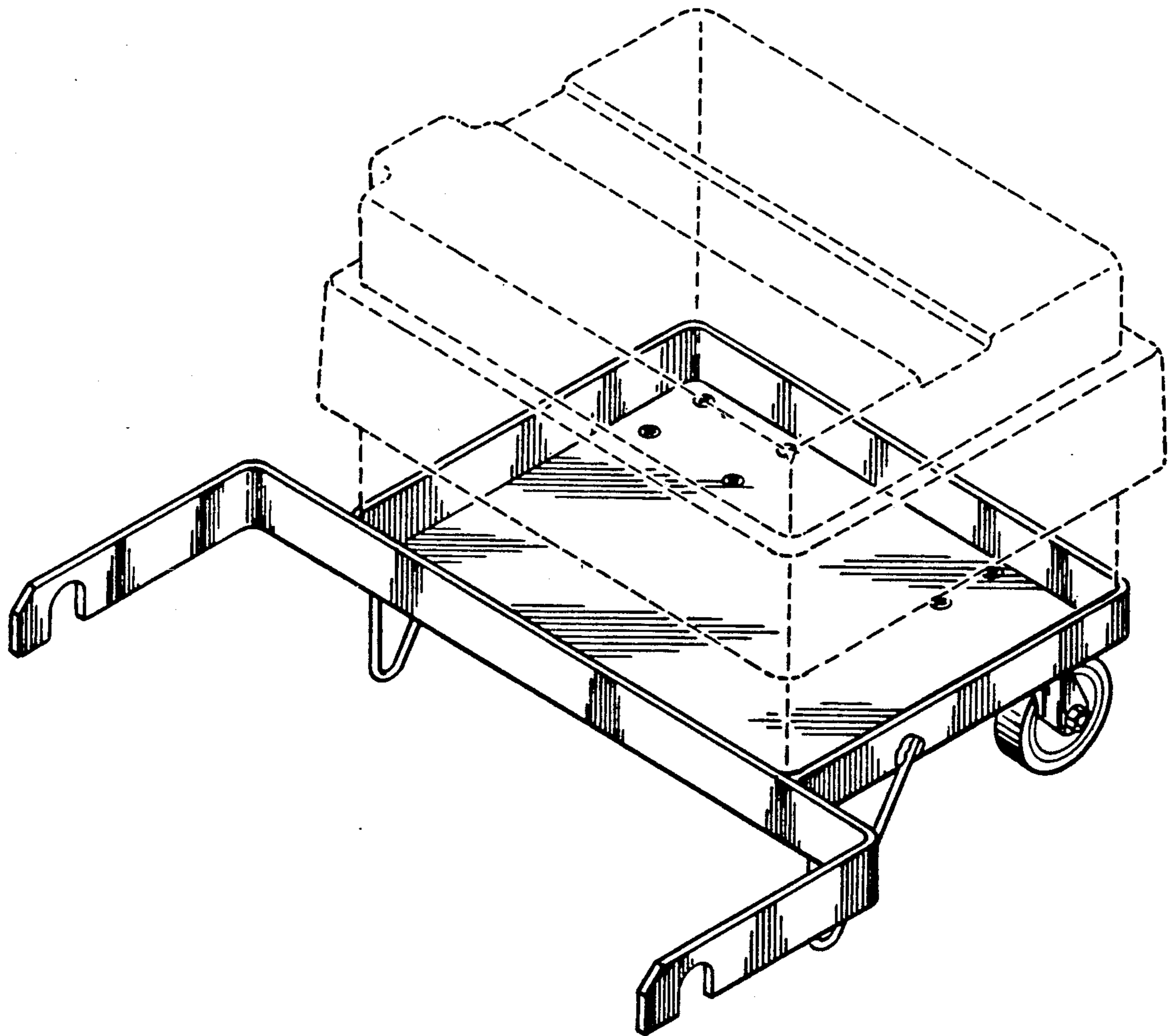
FIG. 2 is a side elevational view thereof, the opposite side being a mirror image;

FIG. 3 is a top plan view thereof;

FIG. 4 is a bottom plan view thereof;

FIG. 5 is a rear elevational view thereof; and,

FIG. 6 is a front elevational view thereof.



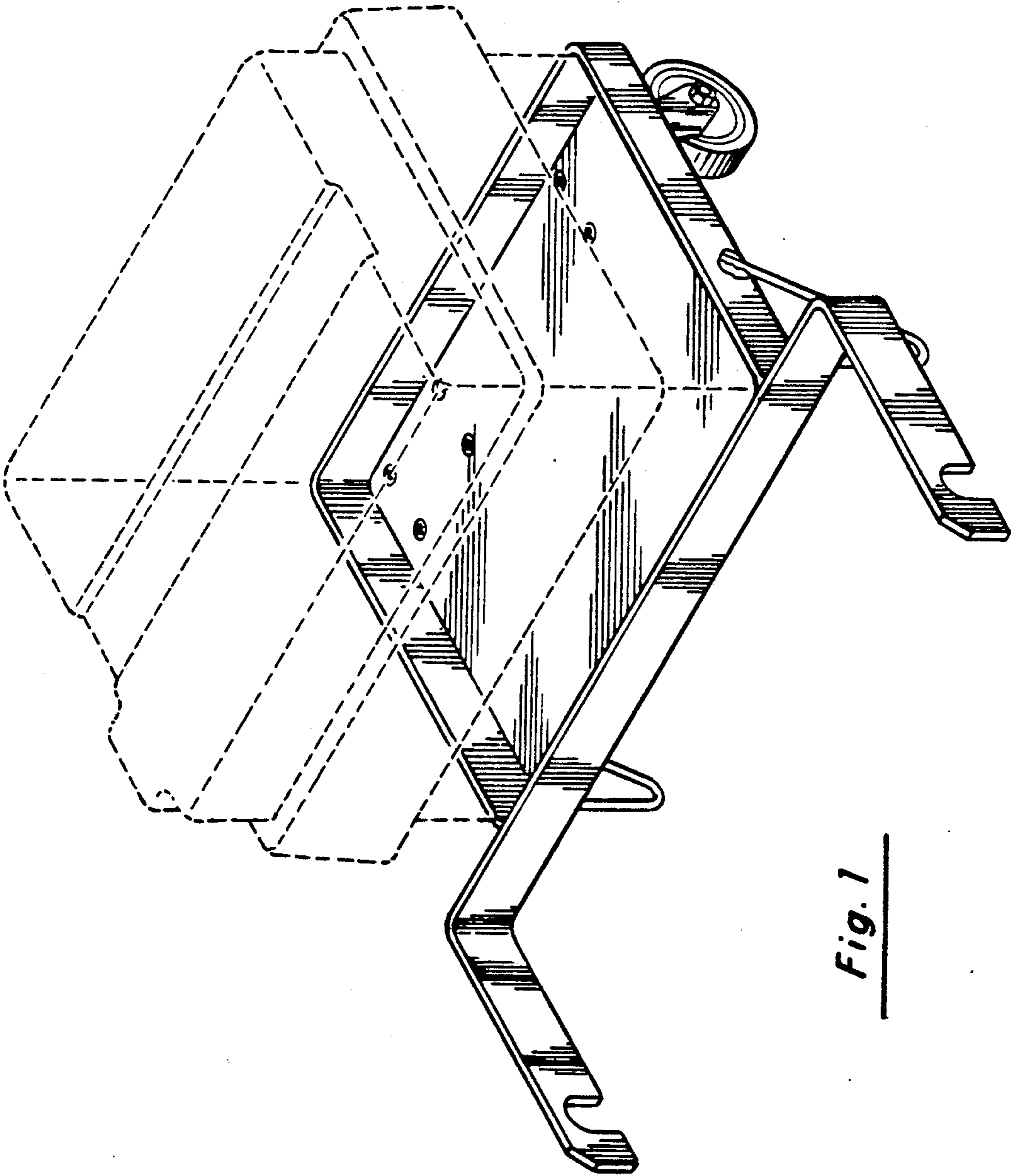


Fig. 1

Fig. 2

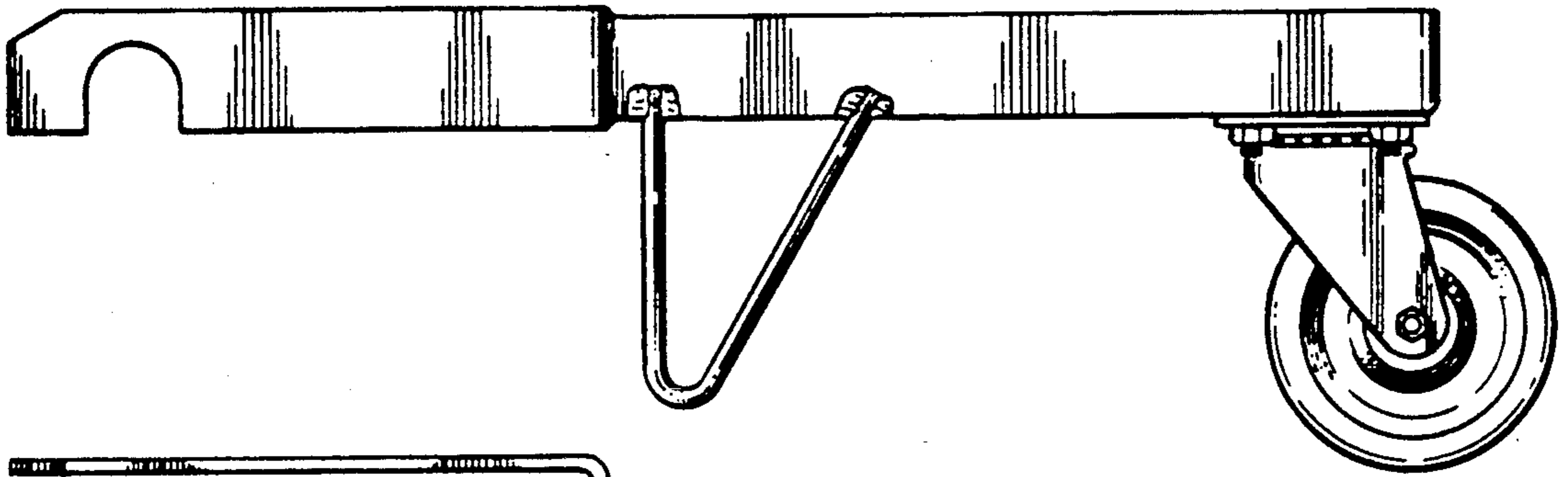


Fig. 3

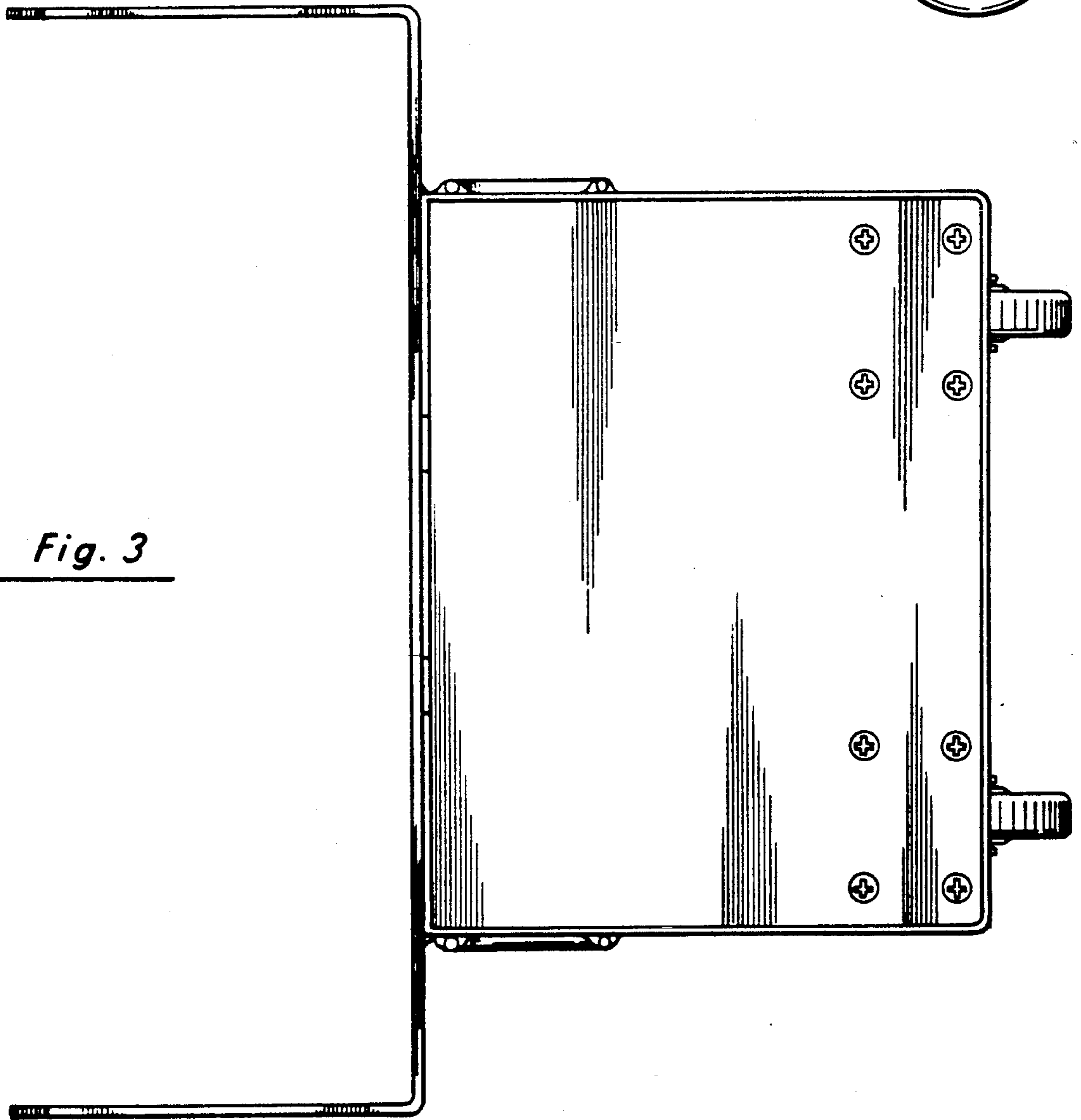


Fig. 4

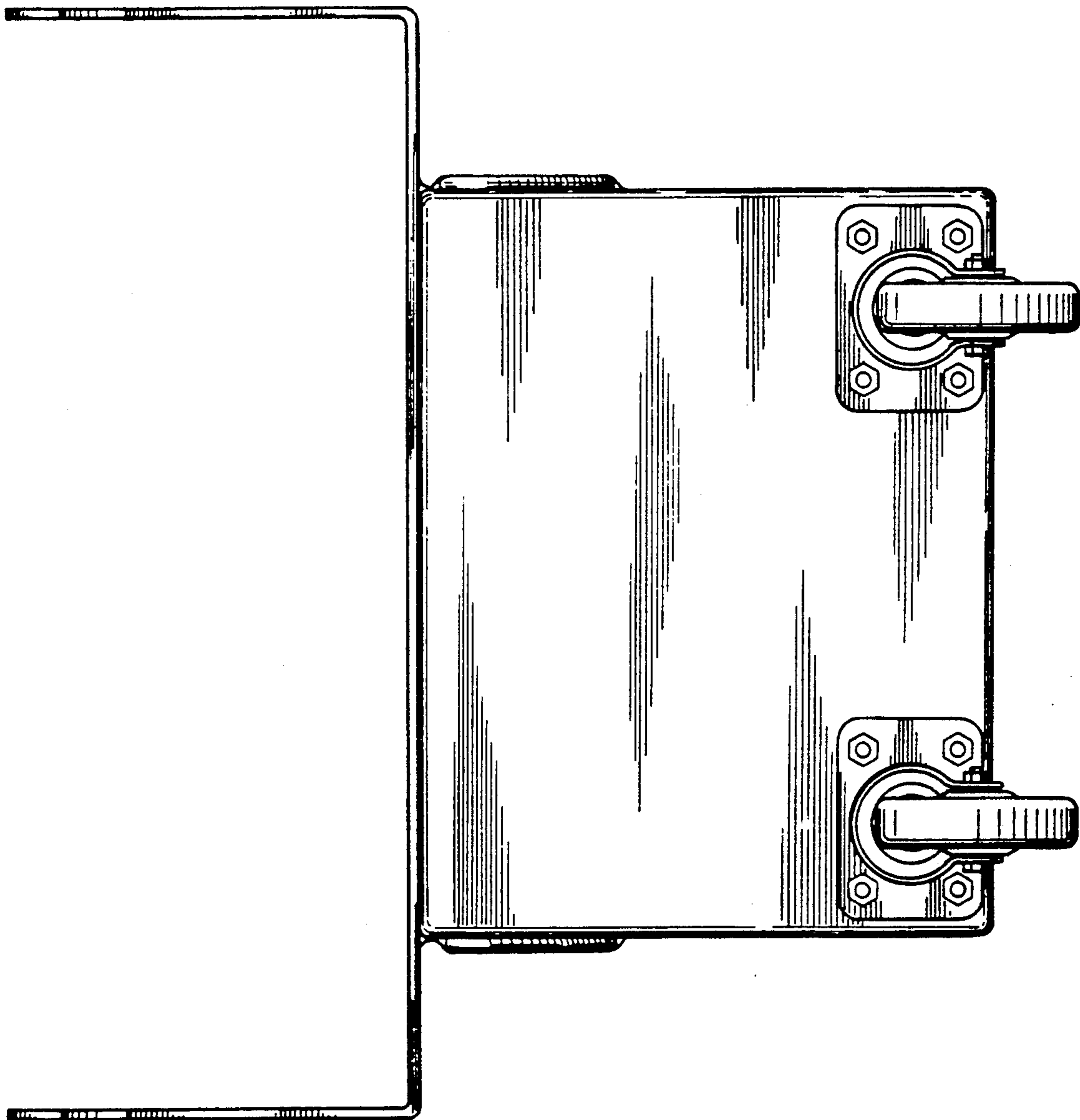


Fig. 5

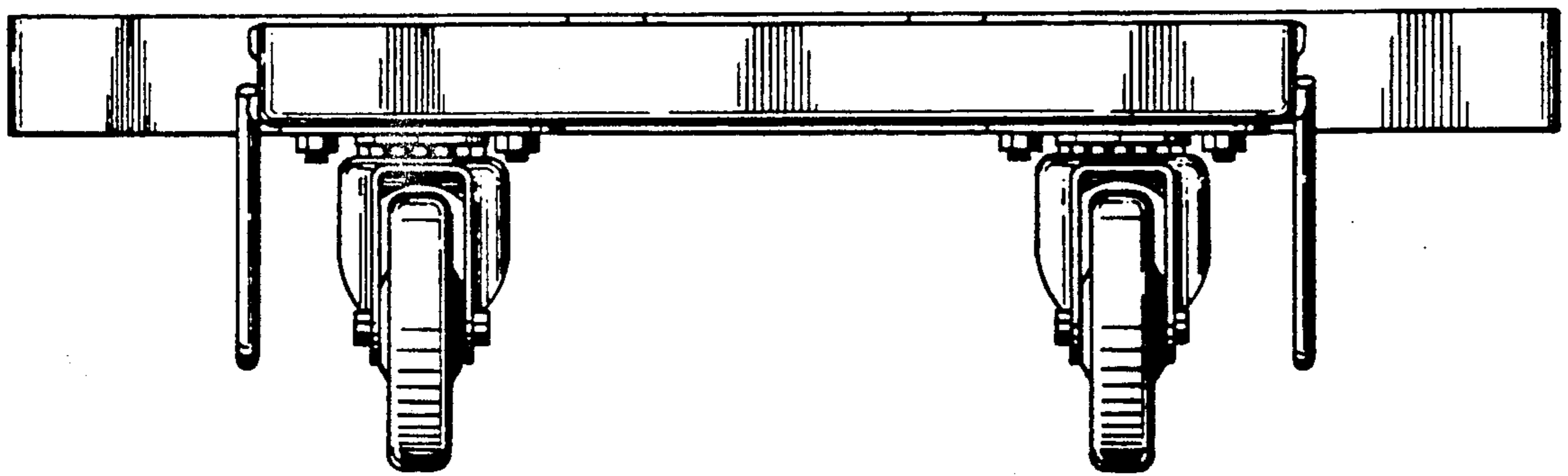


Fig. 6

