



US00D325657S

United States Patent [19]

[11] Patent Number: **Des. 325,657**

Brewin

[45] Date of Patent: **** Apr. 21, 1992**

[54] VACUUM CLEANER

[56] References Cited

[75] Inventor: **Geoffrey M. Brewin, Knightwick, England**

U.S. PATENT DOCUMENTS

- D. 305,168 12/1989 Kroll D32/22
- D. 307,658 5/1990 Ikeda et al. D32/22
- D. 314,072 1/1991 Shinozaki et al. D32/22
- D. 315,042 2/1991 Ikeda D32/22

[73] Assignee: **Electrolux Limited, Luton, United Kingdom**

Primary Examiner—A. Hugo Word
Assistant Examiner—Ruth McInroy
Attorney, Agent, or Firm—Pearne, Gordon, McCoy & Granger

[**] Term: **14 Years**

[57] CLAIM

[21] Appl. No.: **526,338**

The ornamental design for a vacuum cleaner, as shown and described.

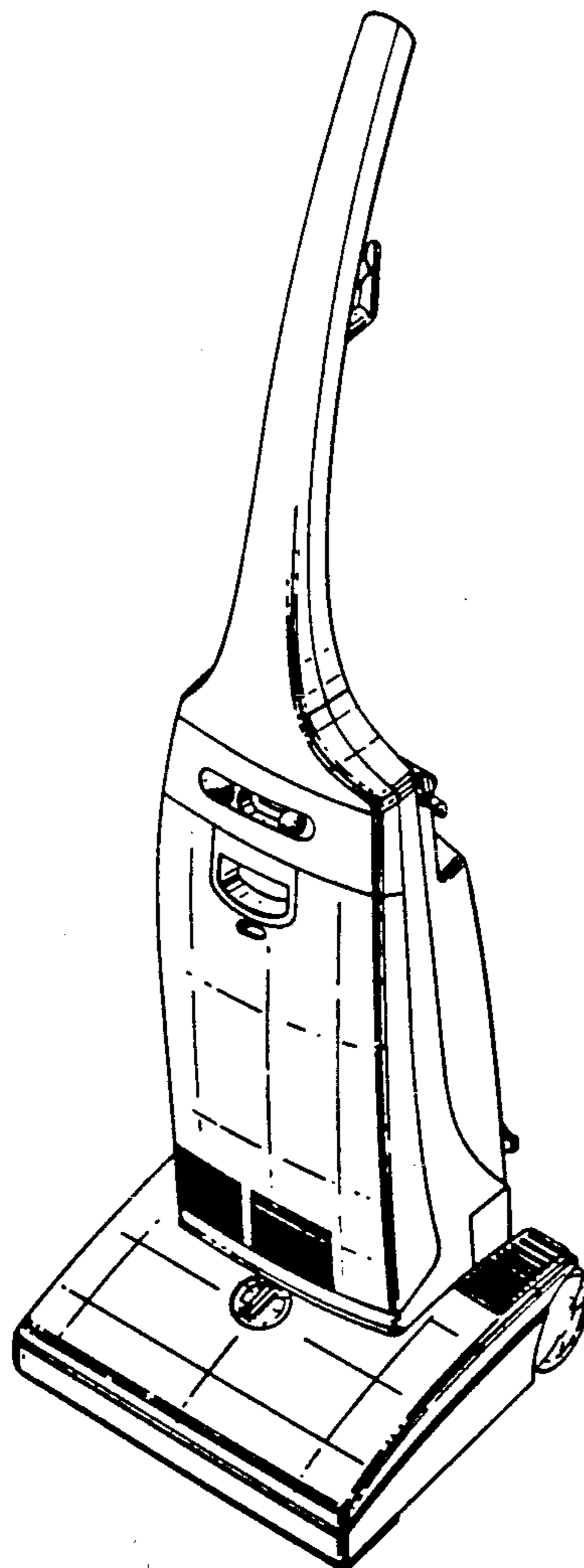
[22] Filed: **May 21, 1990**

DESCRIPTION

[30] Foreign Application Priority Data

- Dec. 5, 1989 [GB] United Kingdom 2-003-076
- [52] U.S. Cl. D32/22
- [58] Field of Search D32/21, 22, 32-33; 15/350, 351, 320-322, 412

FIG. 1 is a front elevational view of a vacuum cleaner showing my new design;
FIG. 2 is a side elevational view thereof;
FIG. 3 is a top, front and side perspective view thereof;
FIG. 4 is a bottom plan view thereof; and,
FIG. 5 is a top, rear and side perspective view thereof.



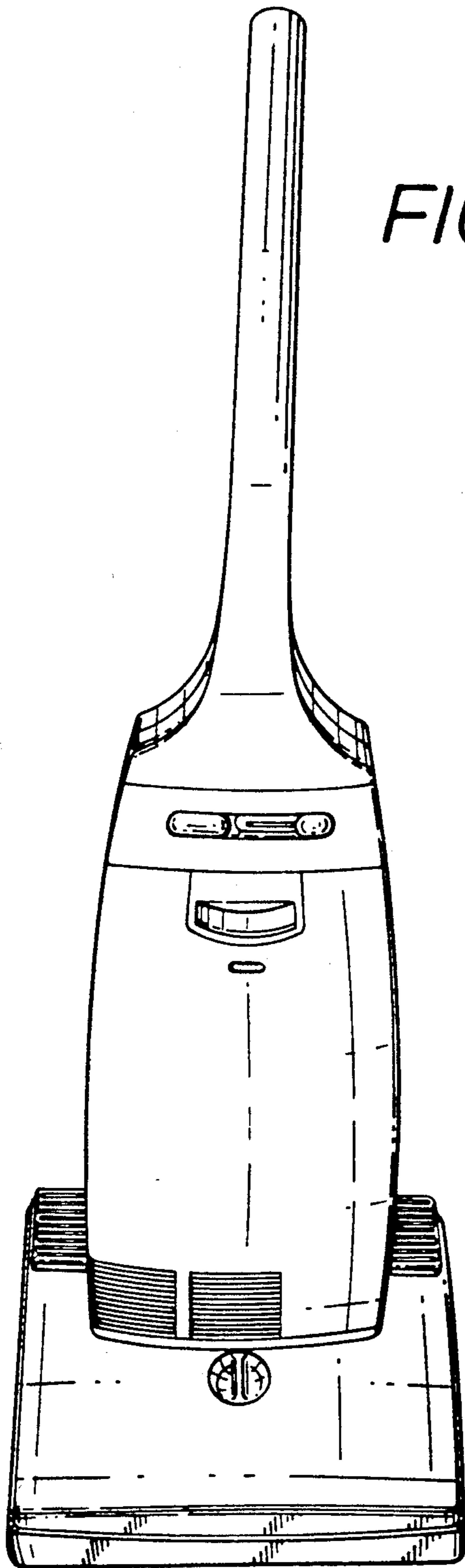


FIG. 1.

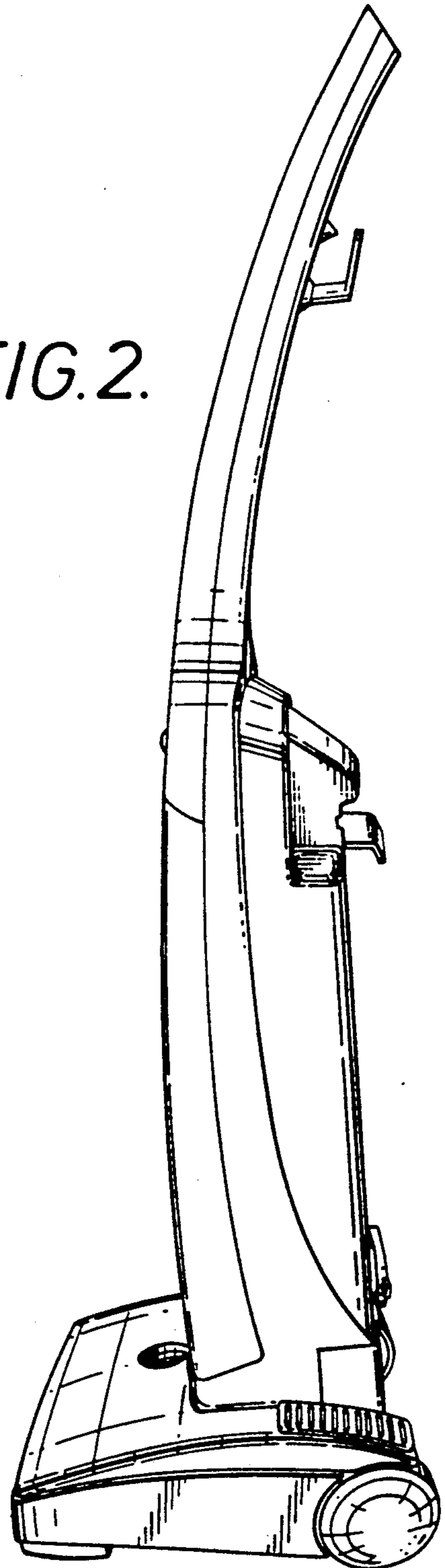


FIG. 2.

FIG. 3.

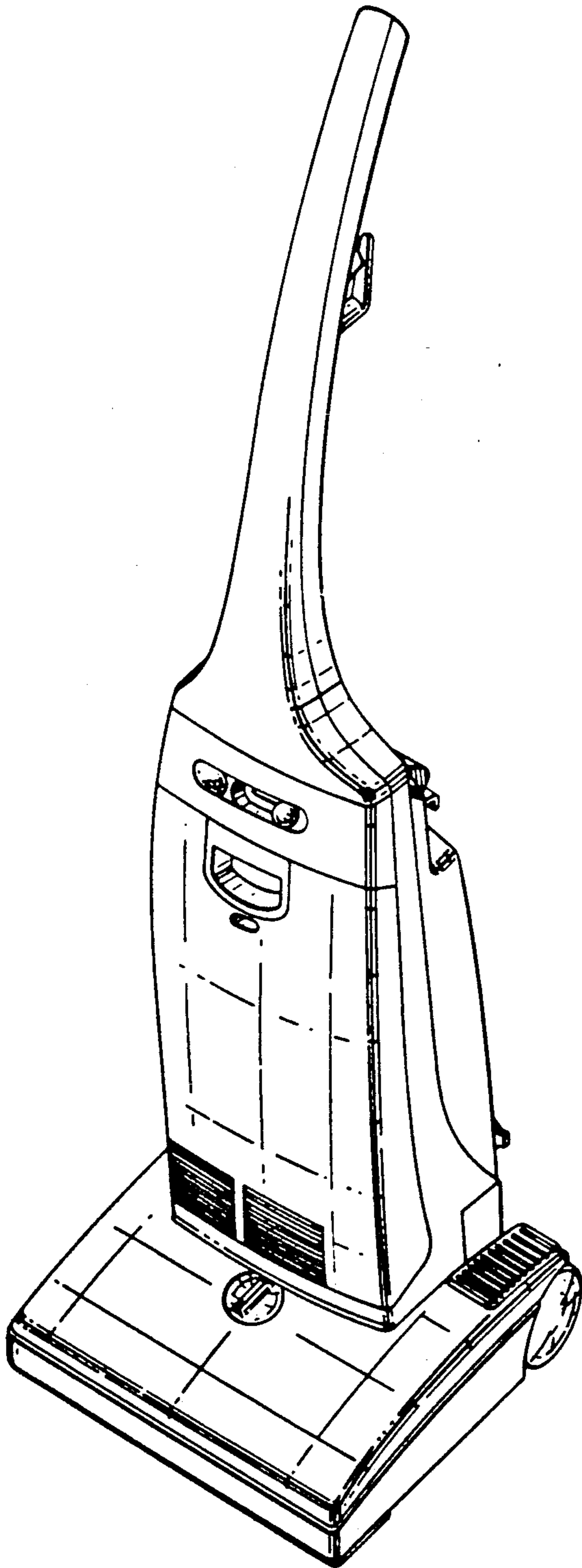
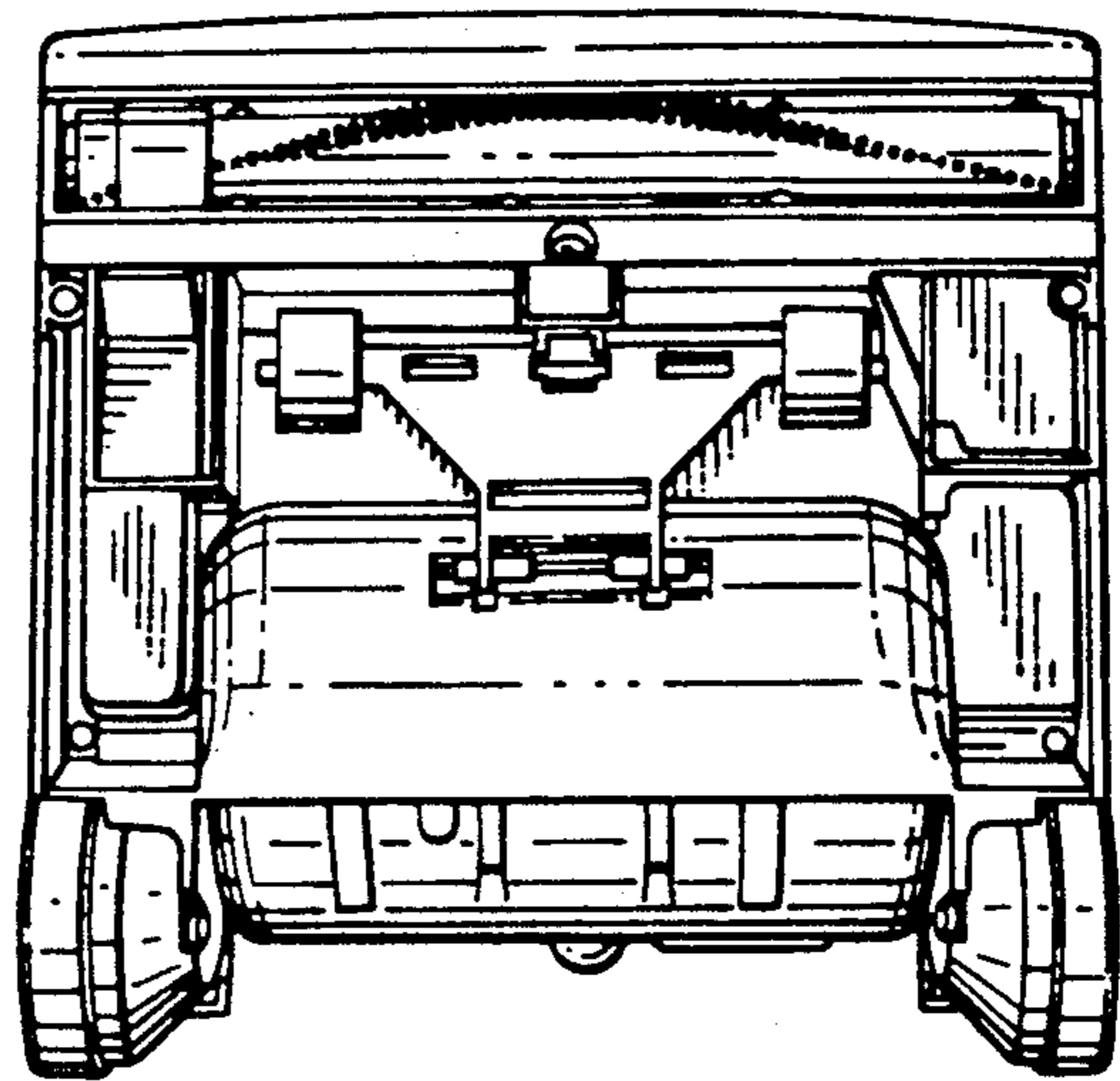


FIG. 4.



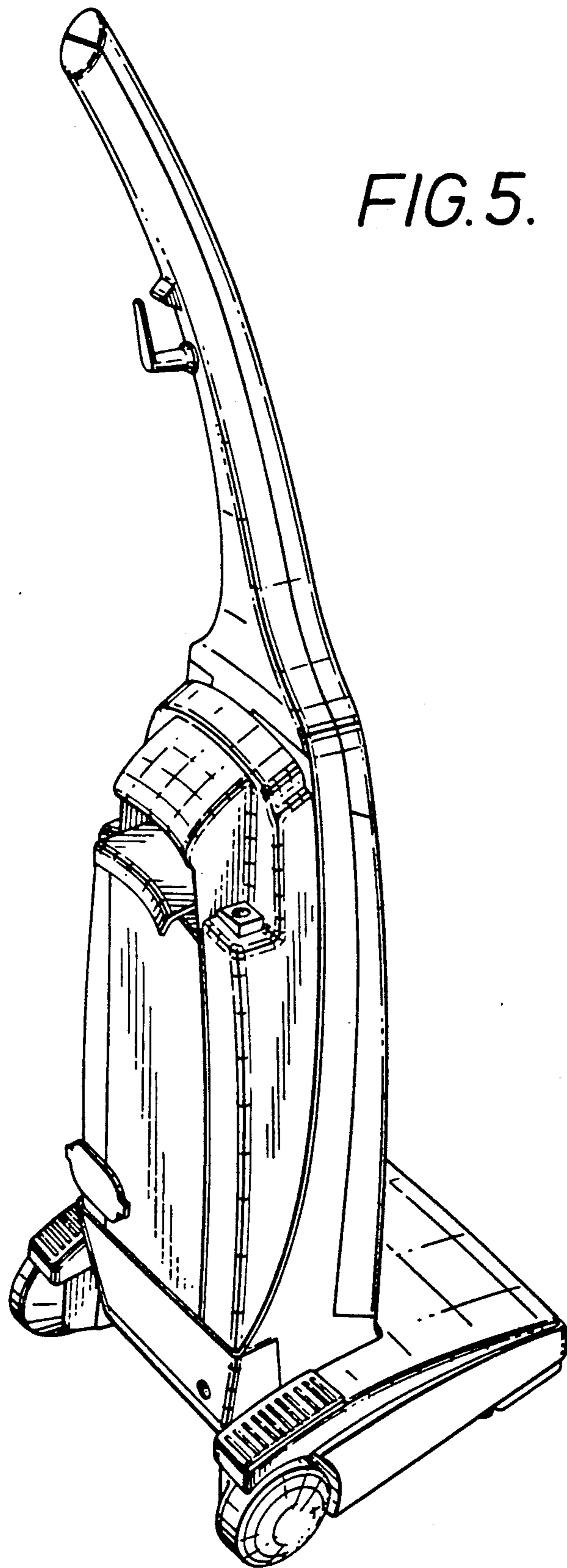


FIG. 5.