



US00D325652S

United States Patent [19]

Byrne

[11] Patent Number: Des. 325,652

[45] Date of Patent: ** Apr. 21, 1992

[54] **COMBINED SAFETY RAZOR AND DISPENSER**

[76] Inventor: **James Byrne**, 235 Kingsland Ter., South Orange, N.J. 07079

[**] Term: **14 Years**

[21] Appl. No.: **405,847**

[22] Filed: **Sep. 11, 1989**

[52] U.S. Cl. **D28/46**

[58] Field of Search **D28/44, 45, 46, 47, D28/48; D24/60, 63; 30/32, 34.1, 41, 47, 51, 84, 85, 86, 91**

4,633,585 1/1987 Whitaker et al. 30/41
 4,800,649 1/1989 Cautaudella 30/41
 4,868,982 9/1989 McComas 30/41

Primary Examiner—Theodore M. Shooman
Assistant Examiner—Philip Hyder
Attorney, Agent, or Firm—R. Martin Oliveras

[57] CLAIM

The ornamental design for a combined safety razor and dispenser, as shown and described.

DESCRIPTION

FIG. 1 is a perspective view of a combined safety razor and dispenser showing my new design, with the tab in an open position;
 FIG. 2 is a perspective view thereof, with the plunger in an alternate position;
 FIG. 3 is a front elevational view of FIG. 1;
 FIG. 4 is a right side elevational view thereof; with the tab in closed position and the plunger removed for ease of illustration;
 FIG. 5 is a rear elevational view of FIG. 4;
 FIG. 6 is a top plan view of FIG. 4; and,
 FIG. 7 is a bottom plan view of FIG. 4.

[56] **References Cited**

U.S. PATENT DOCUMENTS

D. 310,889	9/1990	Concialdi	D28/45
1,449,594	3/1923	Eyraud	30/41
2,037,588	4/1936	Pica	30/41
2,392,975	1/1946	Cooney	30/41
3,703,765	1/1973	Perez	30/41
4,176,652	1/1988	Cautaudella	30/41
4,377,034	3/1983	Druash et al.	30/41
4,433,483	2/1984	Lazarus	30/41

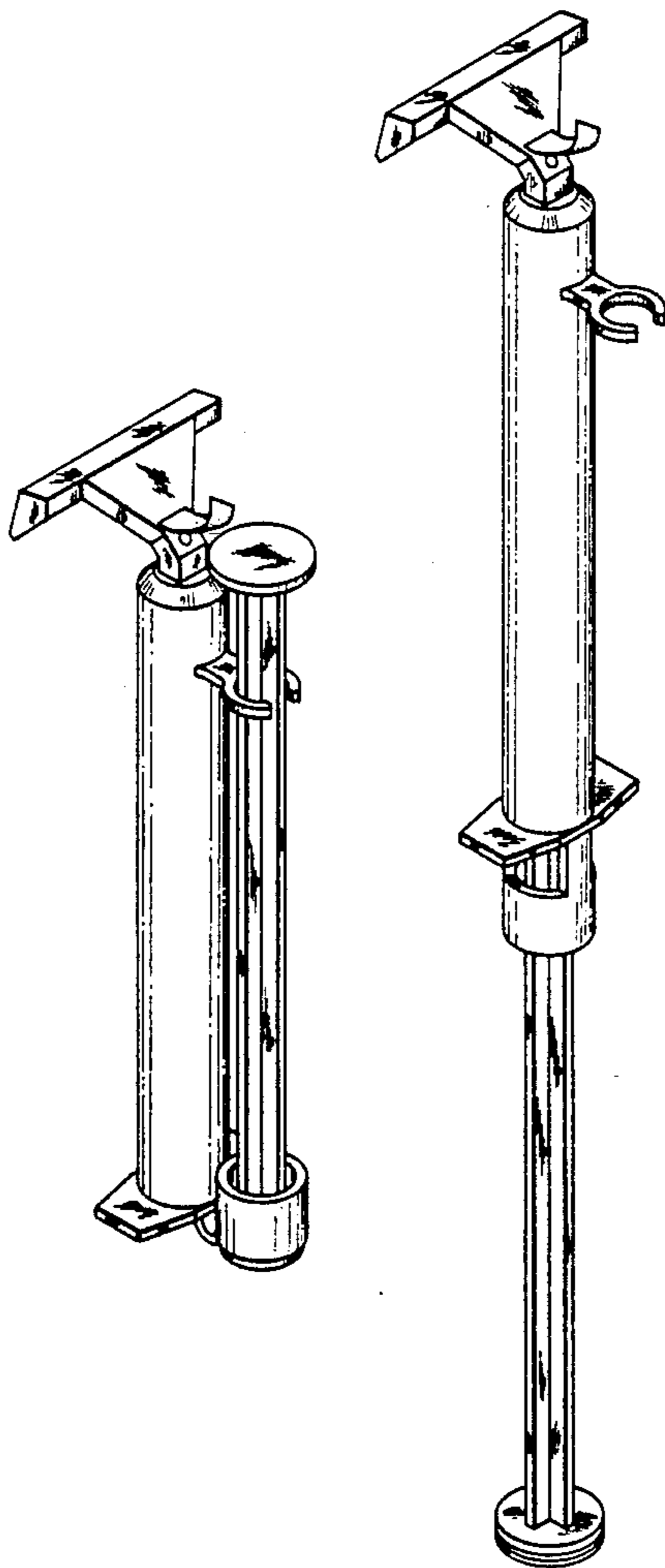


FIG. 1

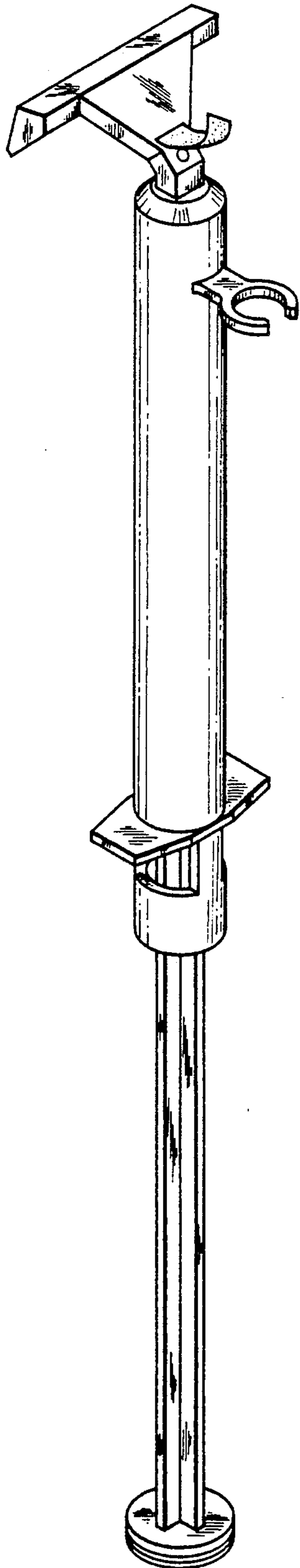


FIG. 2

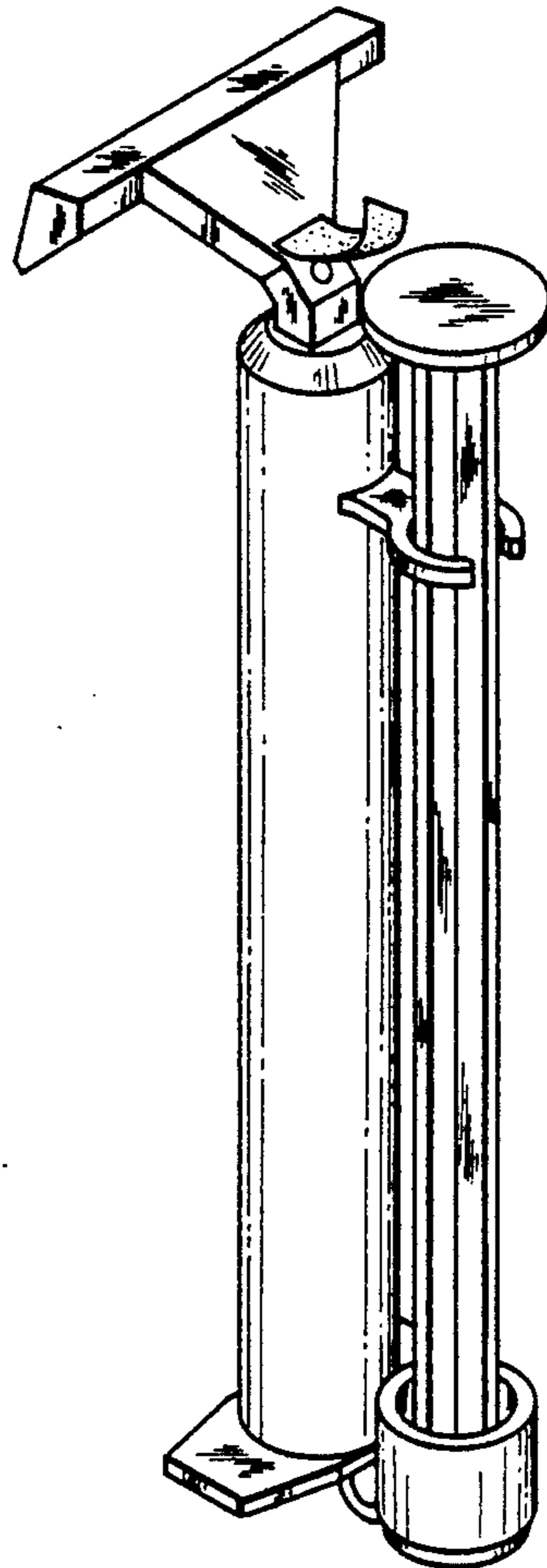


FIG. 3

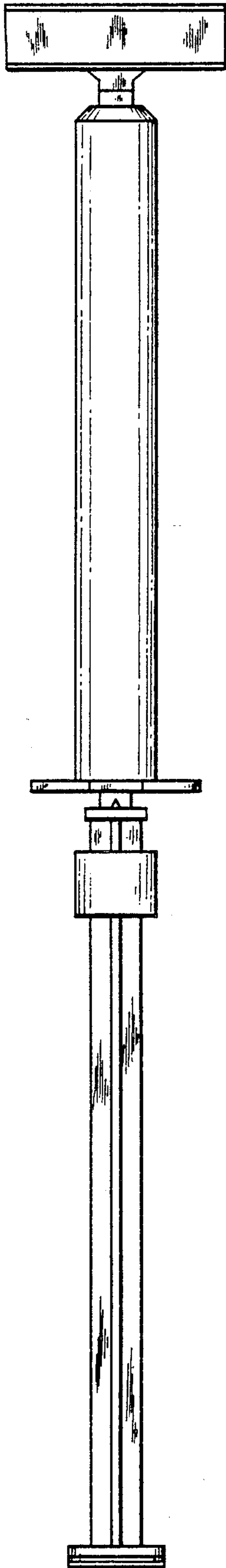


FIG. 4

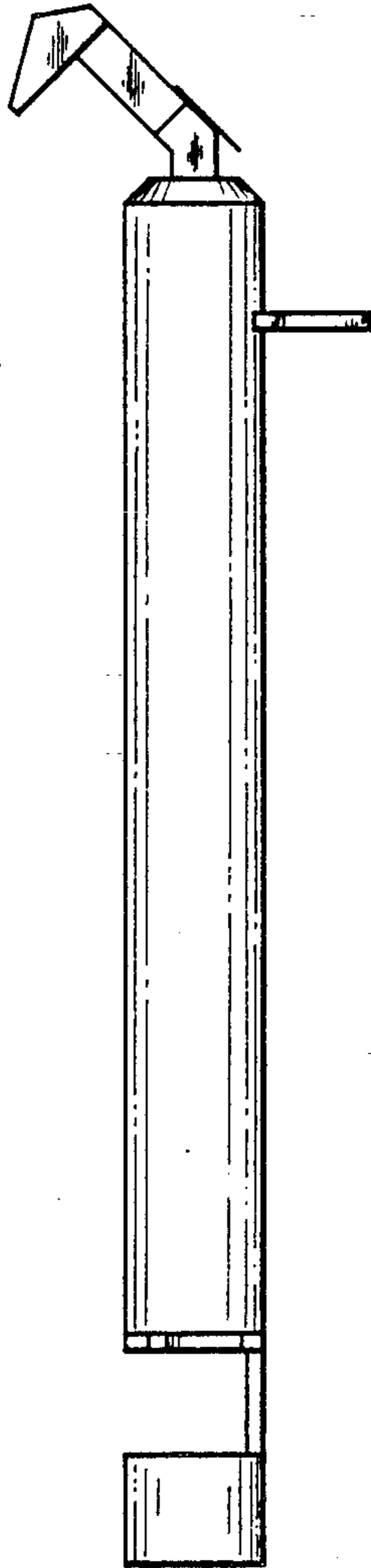


FIG. 5

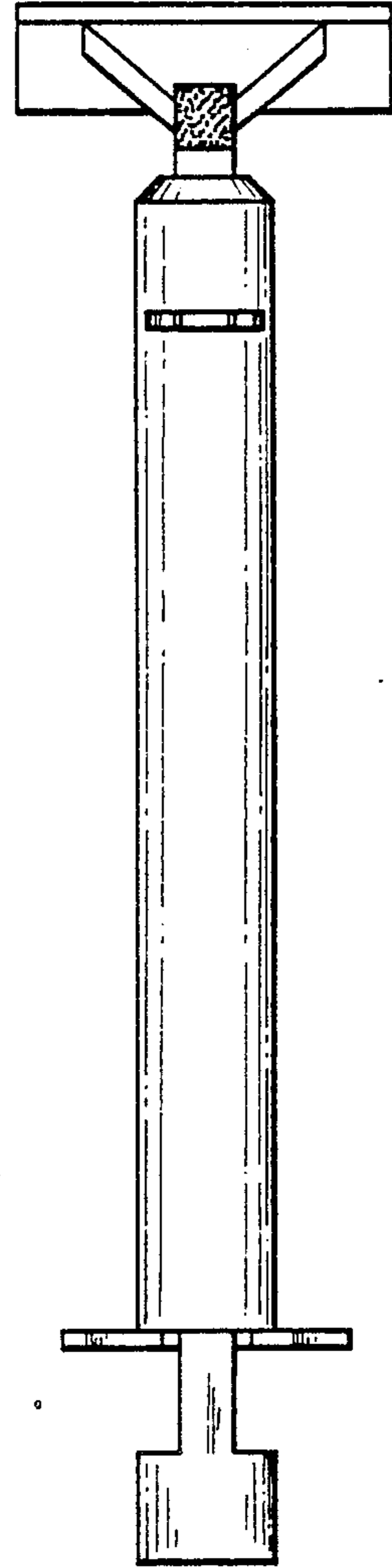


FIG. 6

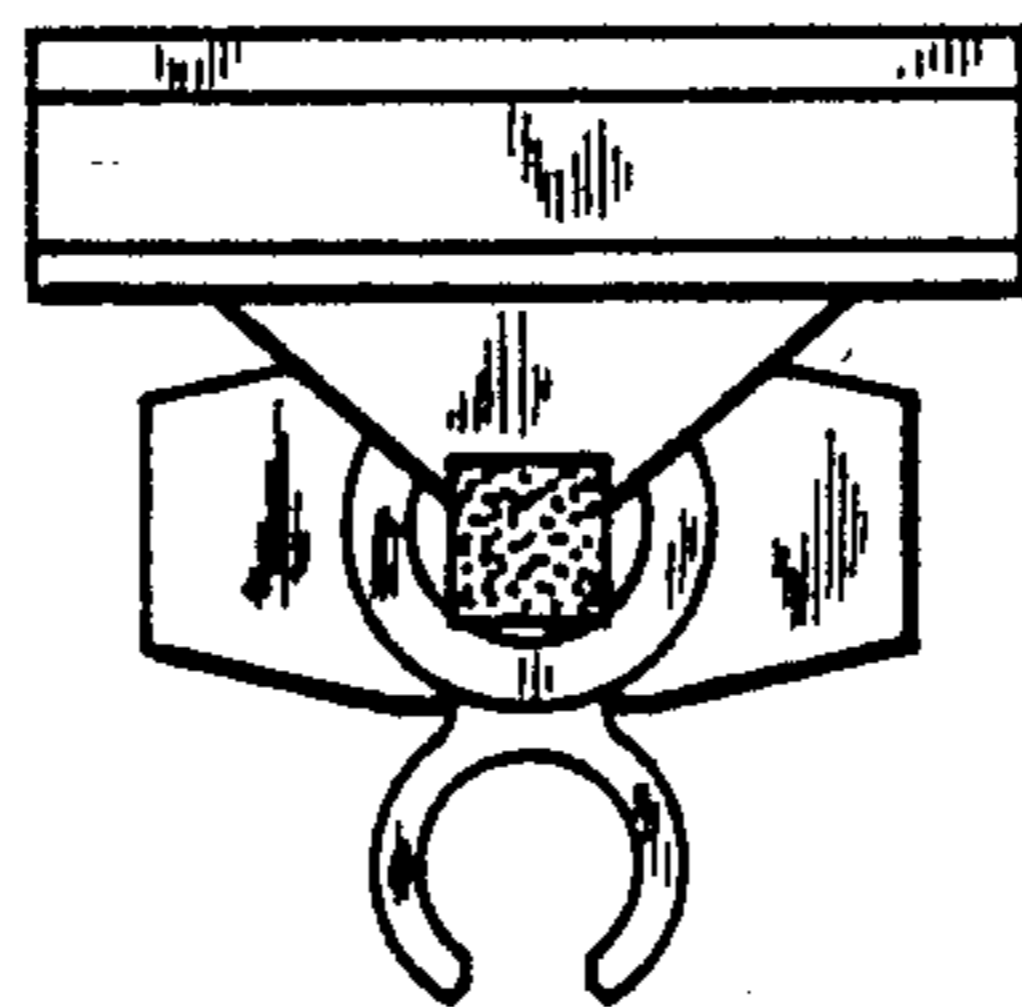


FIG. 7

