



US00D325646S

United States Patent [19]

[11] Patent Number: Des. 325,646

Grange

[45] Date of Patent: ** Apr. 21, 1992

[54] LIGHTING FIXTURE

[75] Inventor: Kenneth H. Grange, London, England

[73] Assignee: Thorn EMI plc, London, United Kingdom

[**] Term: 14 Years

[21] Appl. No.: 454,313

[22] Filed: Dec. 26, 1989

Related U.S. Application Data

[63] Continuation-in-part of Ser. No. 414,081, Sep. 28, 1989, abandoned.

[30] Foreign Application Priority Data

Mar. 28, 1989 [GB] United Kingdom 1058173
[52] U.S. Cl. D26/63
[58] Field of Search D26/60-66;
362/147, 362, 267, 275, 285, 418, 419, 427

[56] References Cited

U.S. PATENT DOCUMENTS

D. 208,877 10/1967 MacLeod, Jr. D26/63
D. 225,262 11/1972 Houplain D26/65
D. 315,418 3/1991 Layne D26/63
4,556,936 12/1985 Snow 362/371
4,581,689 4/1986 Oram 362/804 X

OTHER PUBLICATIONS

Home Lighting & Accesories, 9-1988 p. 98, Capri Lighting, "pyramide" Track Light.

Primary Examiner—Susan J. Lucas
Attorney, Agent, or Firm—Fleit, Jacobson, Cohn, Price, Holman & Stern

[57] CLAIM

The ornamental design for a lighting fixture, as shown and described.

DESCRIPTION

FIG. 1 is a top, front, right side perspective view of a lighting fixture showing my design as embodied in a track light;

FIG. 2 is a right side elevational view thereof;

FIG. 3 is a bottom plan view thereof;

FIG. 4 is a left side elevational view thereof;

FIG. 5 is a top plan view thereof;

FIG. 6 is a front elevational view thereof;

FIG. 7 is a rear elevational view thereof;

FIG. 8 is a top, front, right side perspective view of a second embodiment of my new design as embodied in a ceiling mounted light;

FIG. 9 is a right side elevational view thereof;

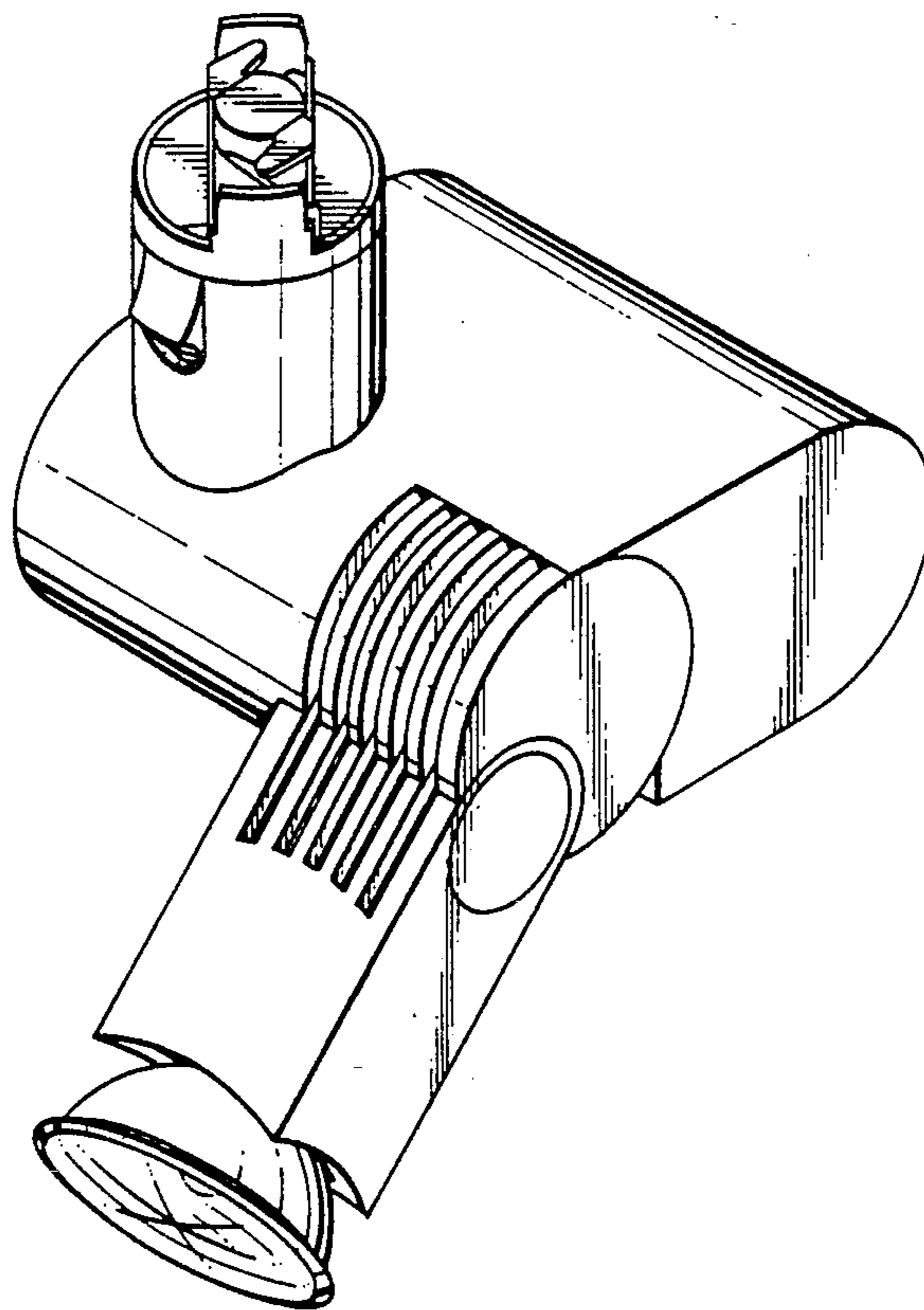
FIG. 10 is a bottom plan view thereof;

FIG. 11 is a left side elevational view thereof;

FIG. 12 is a a top plan view thereof;

FIG. 13 is a front elevational view thereof; and,

FIG. 14 is a rear elevational view thereof.



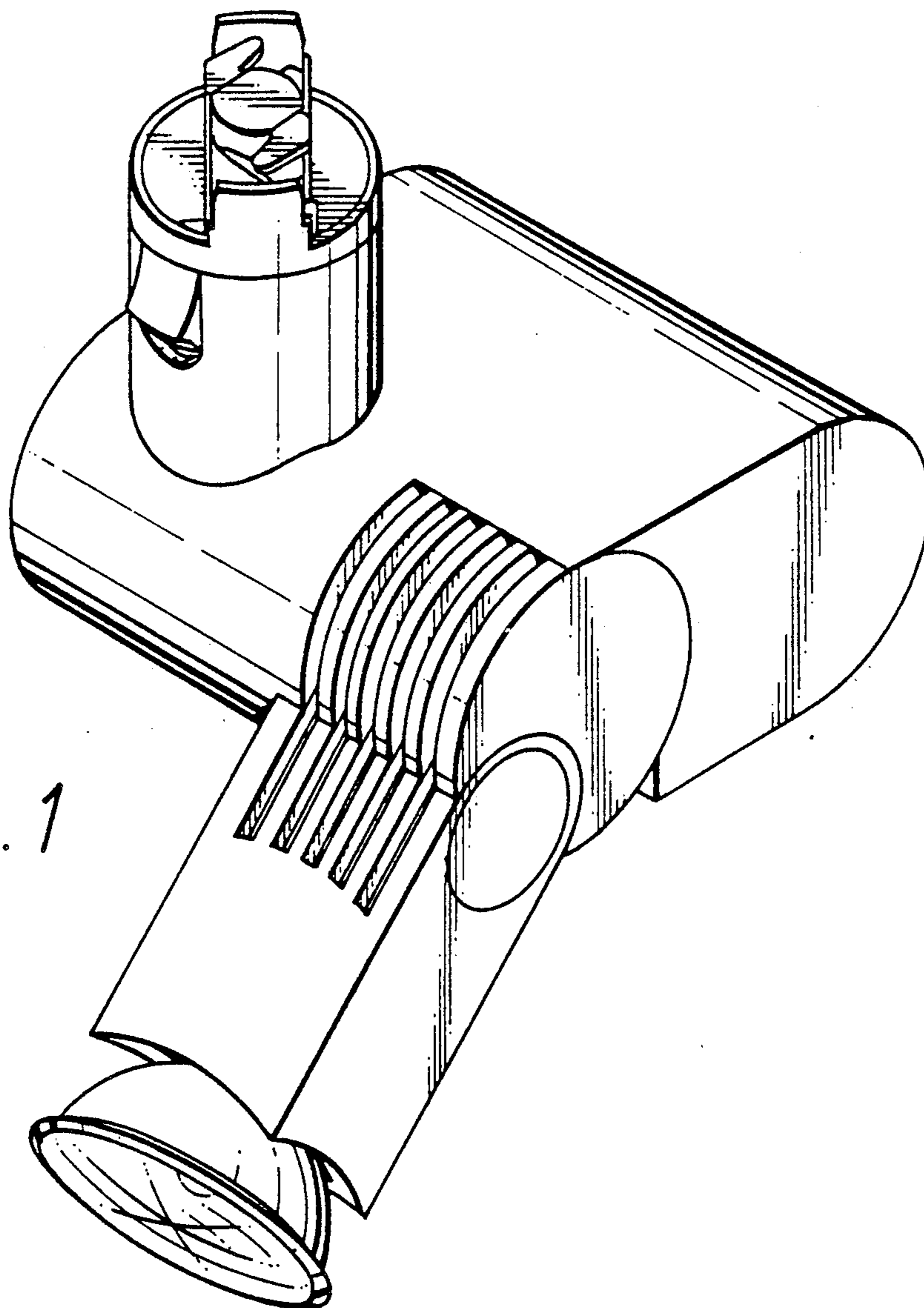
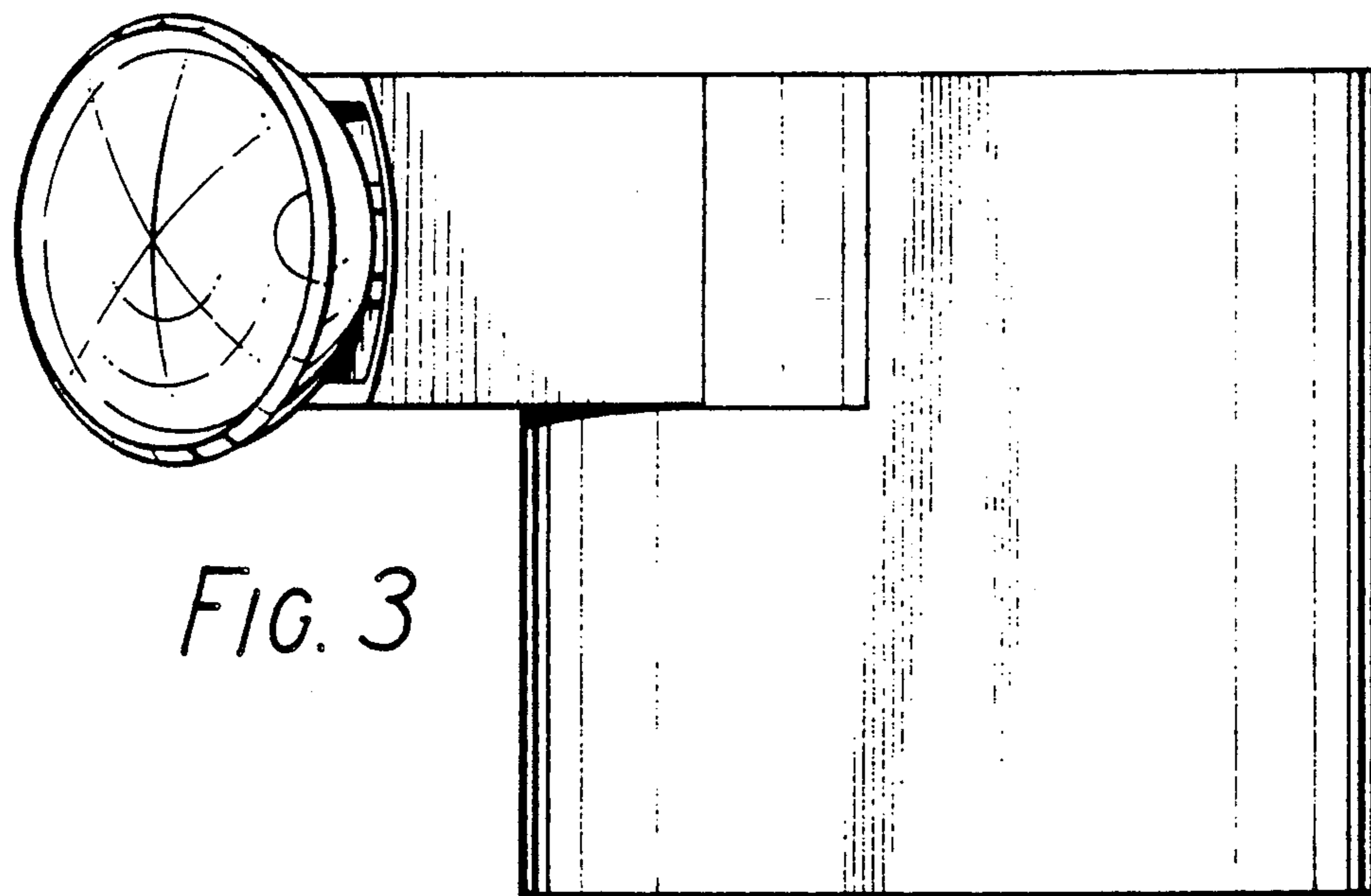
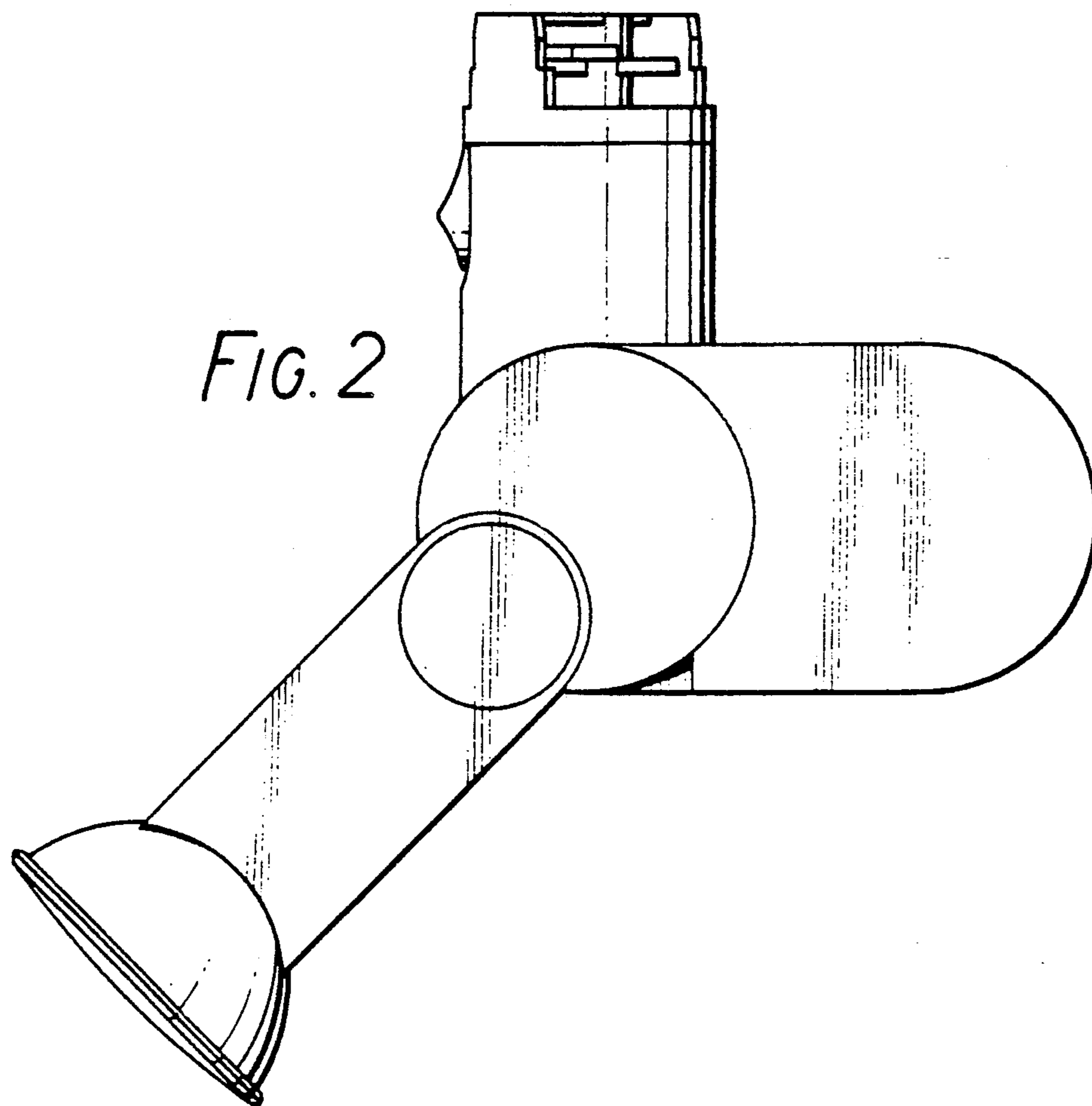


FIG. 1



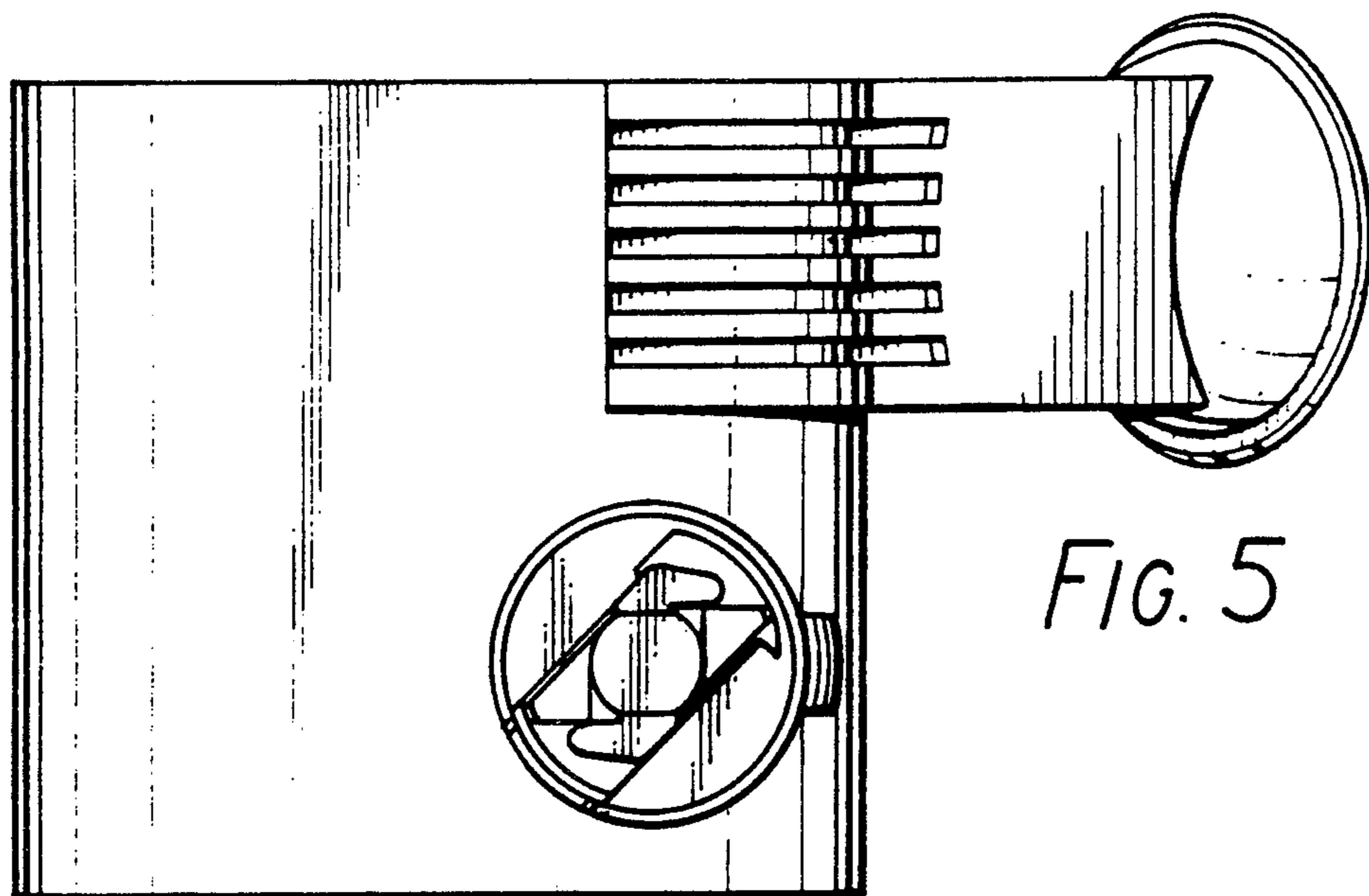
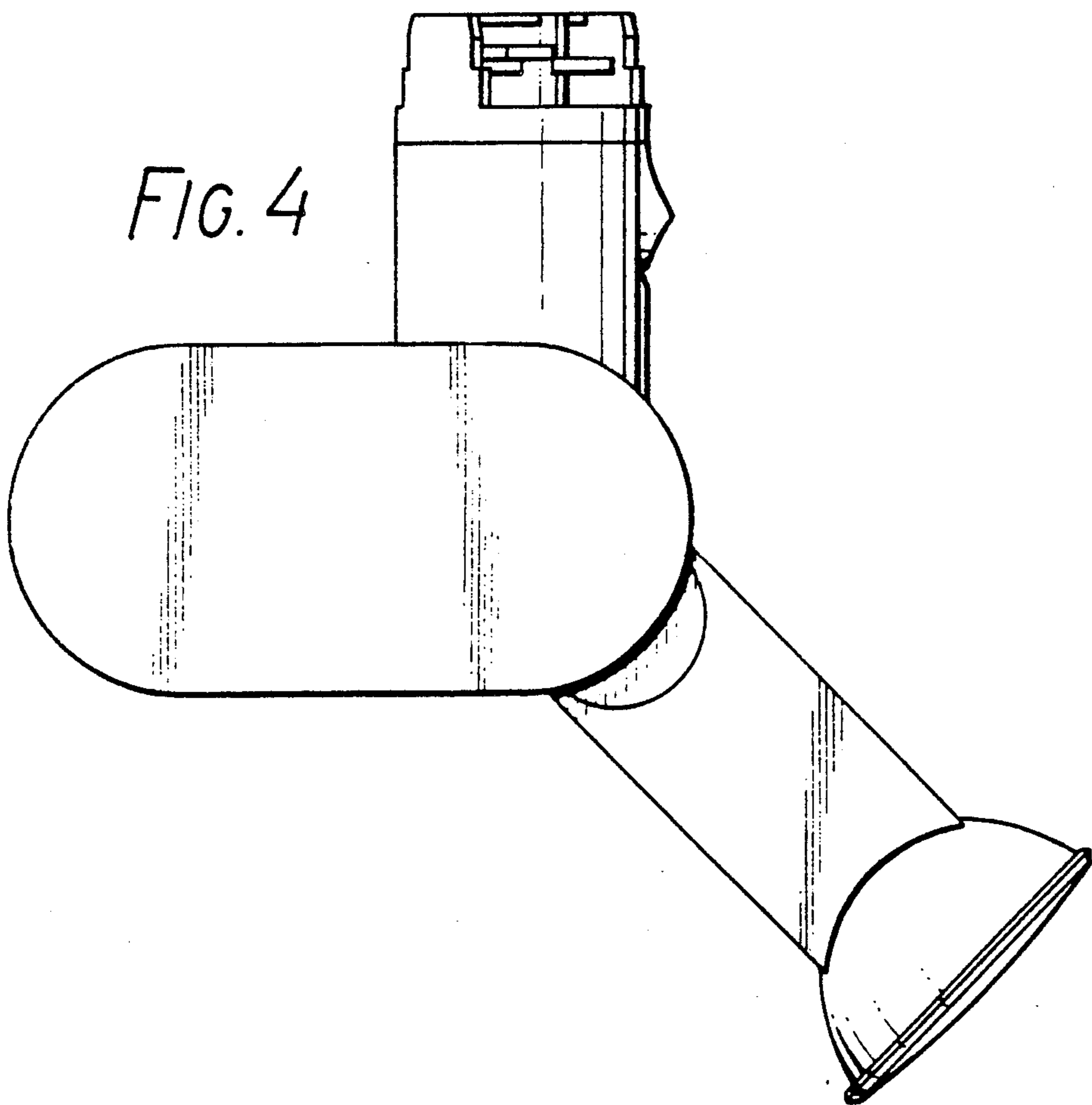


FIG. 6

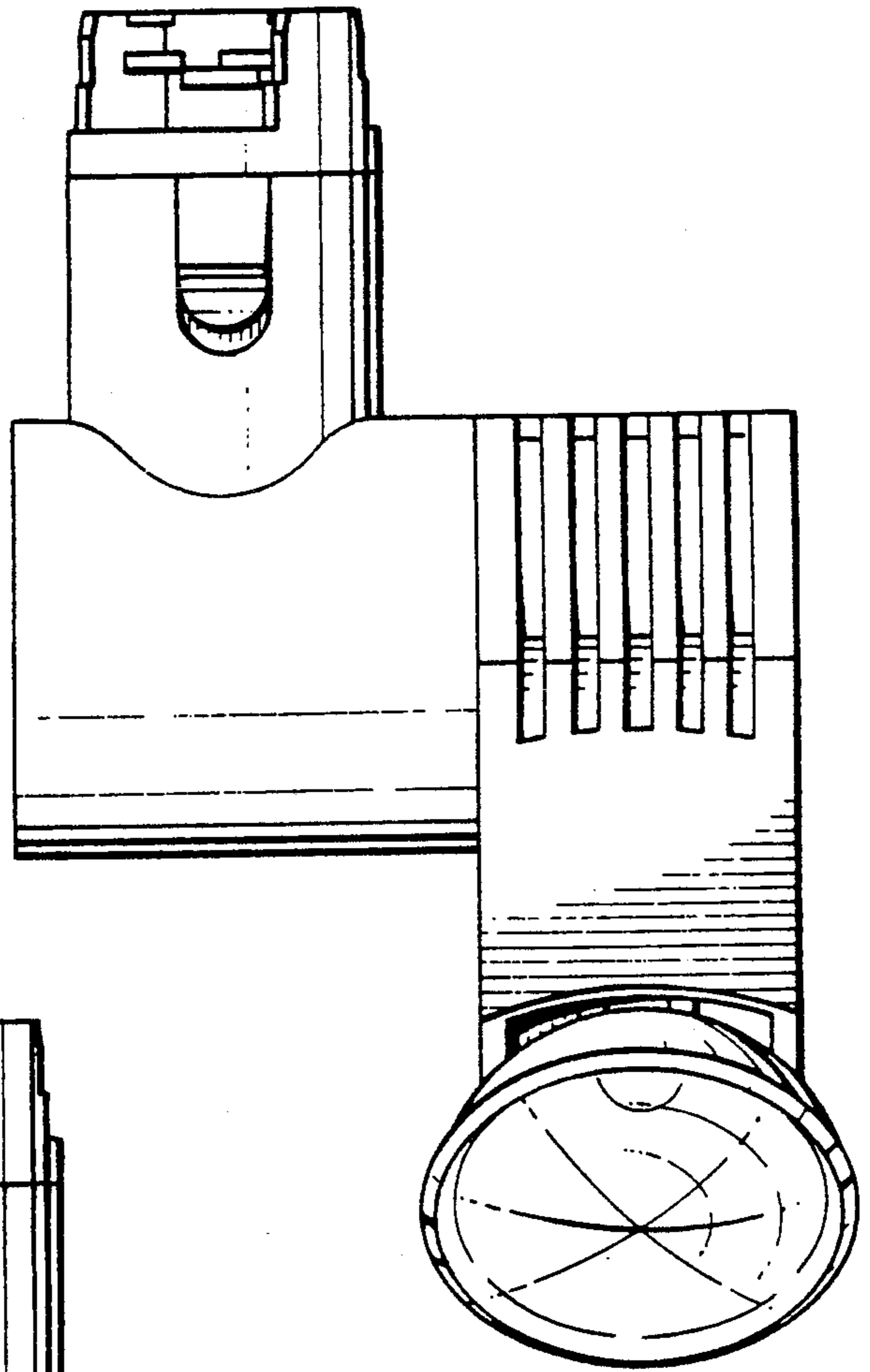


FIG. 7

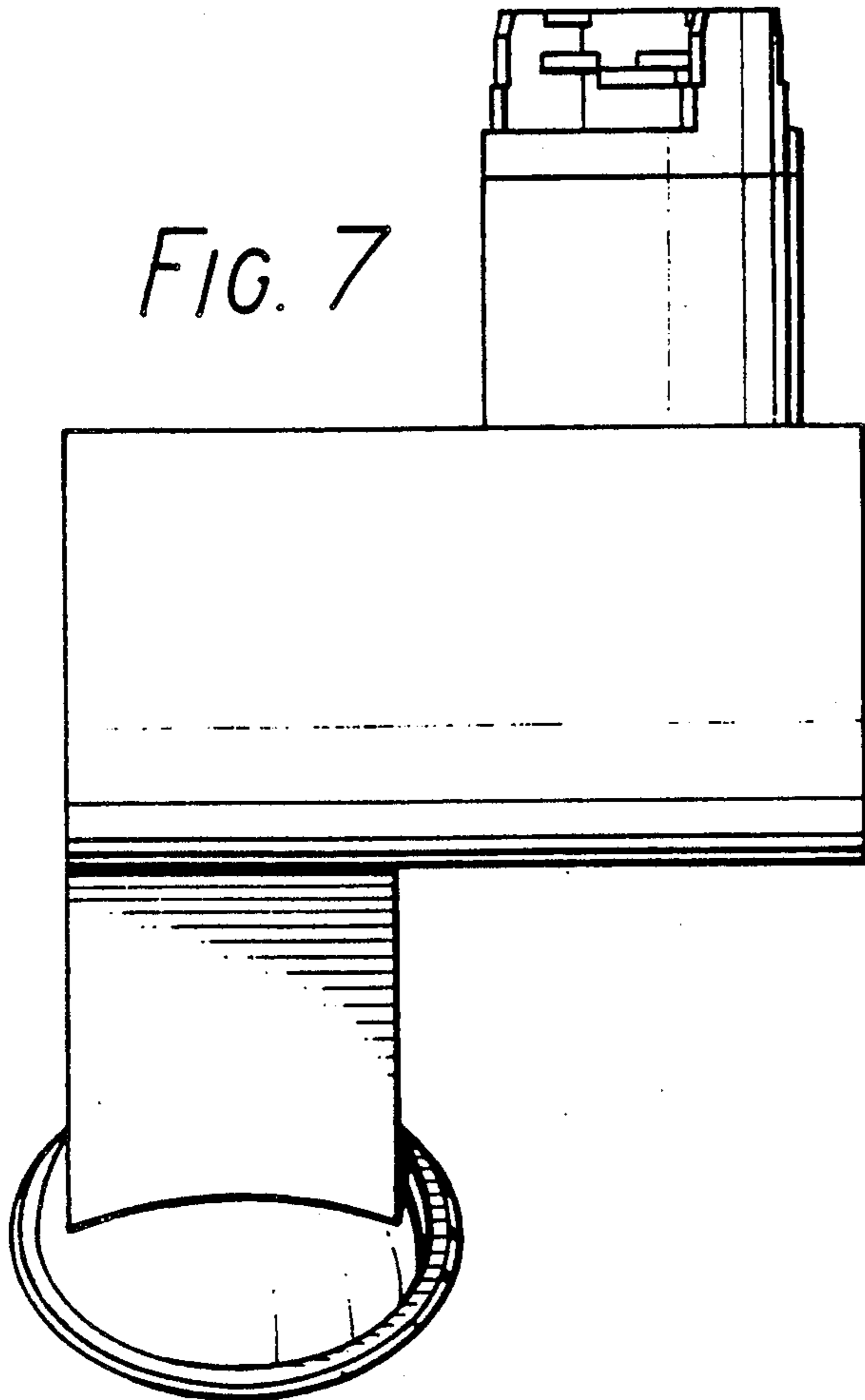
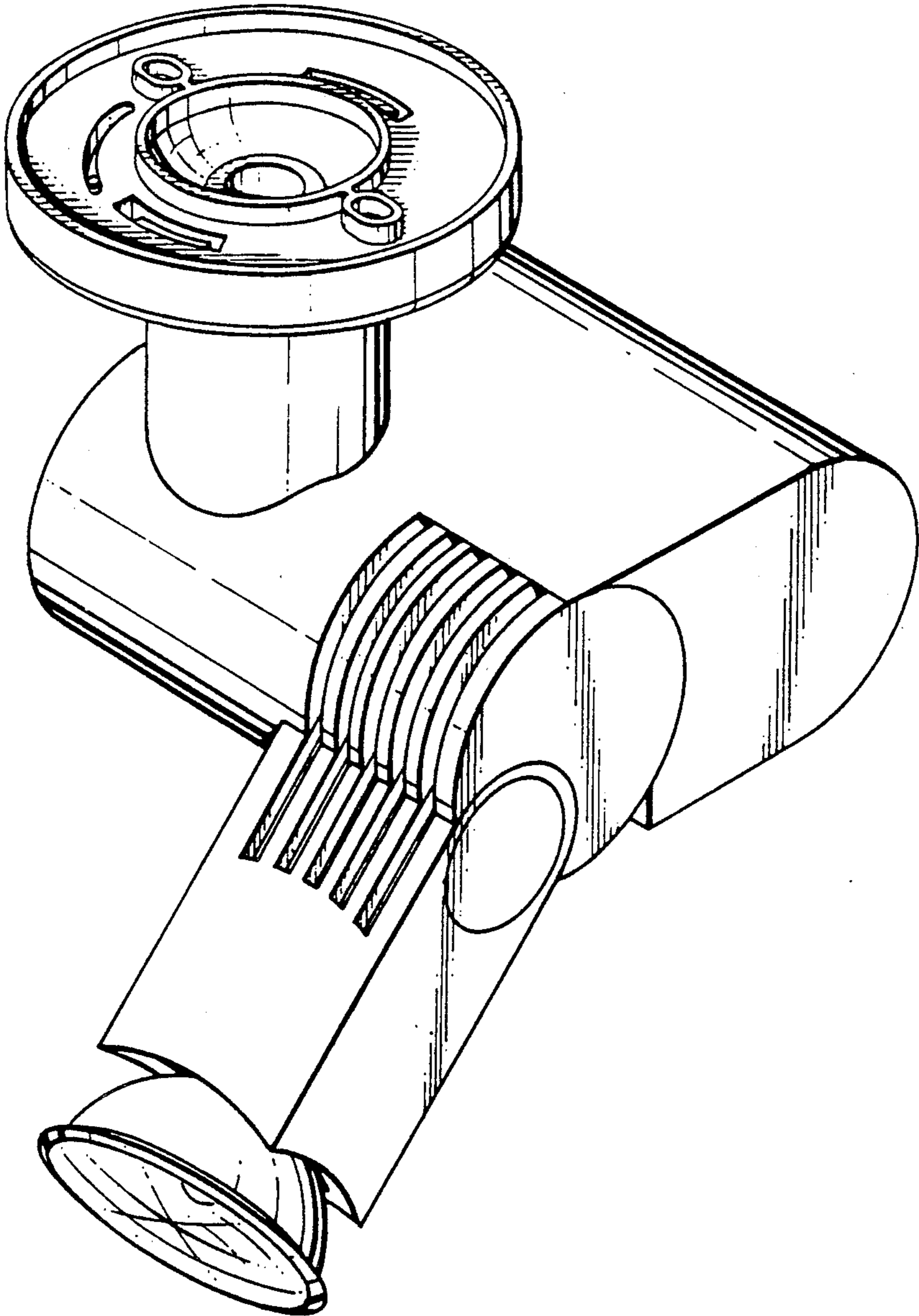
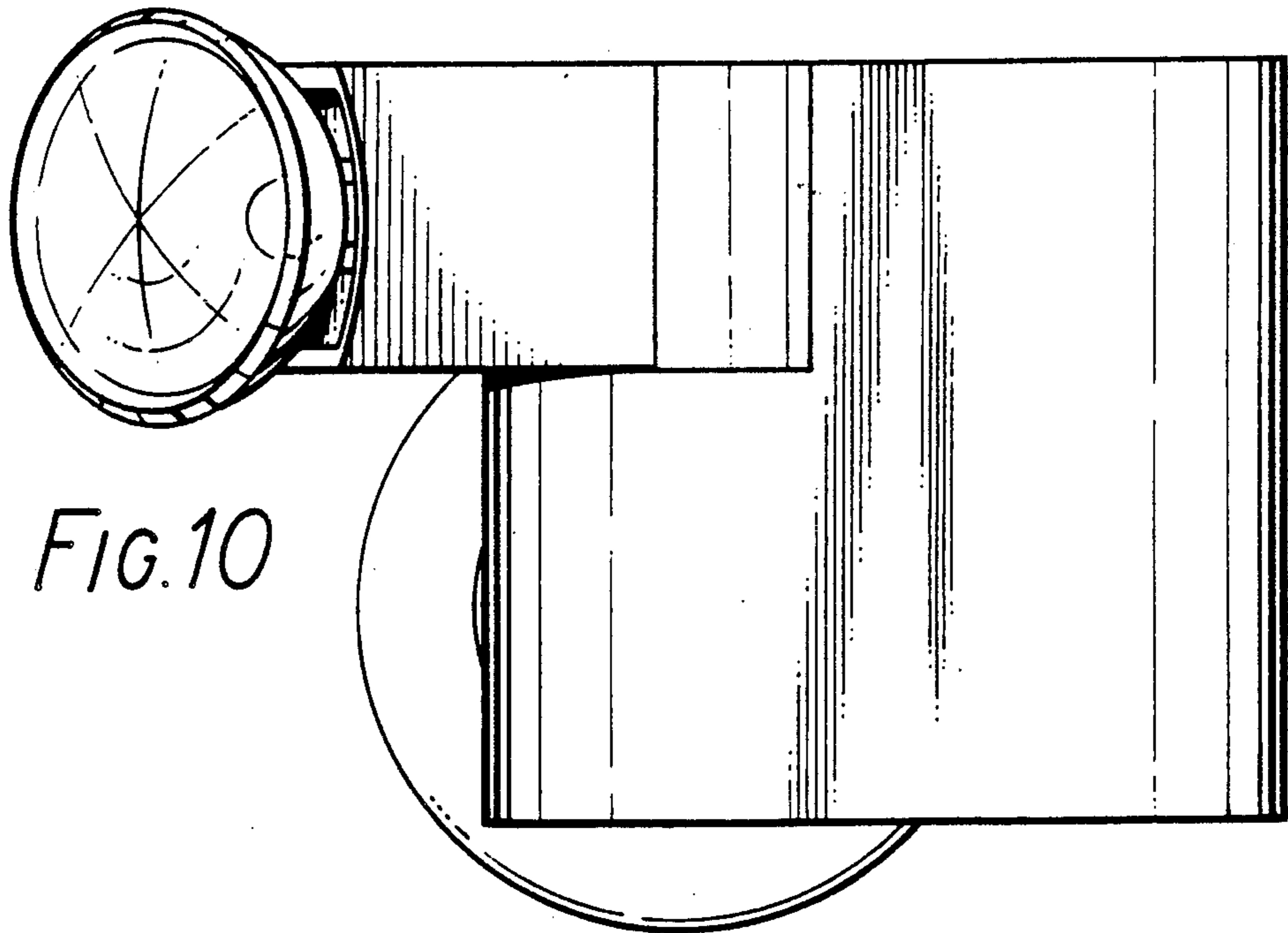
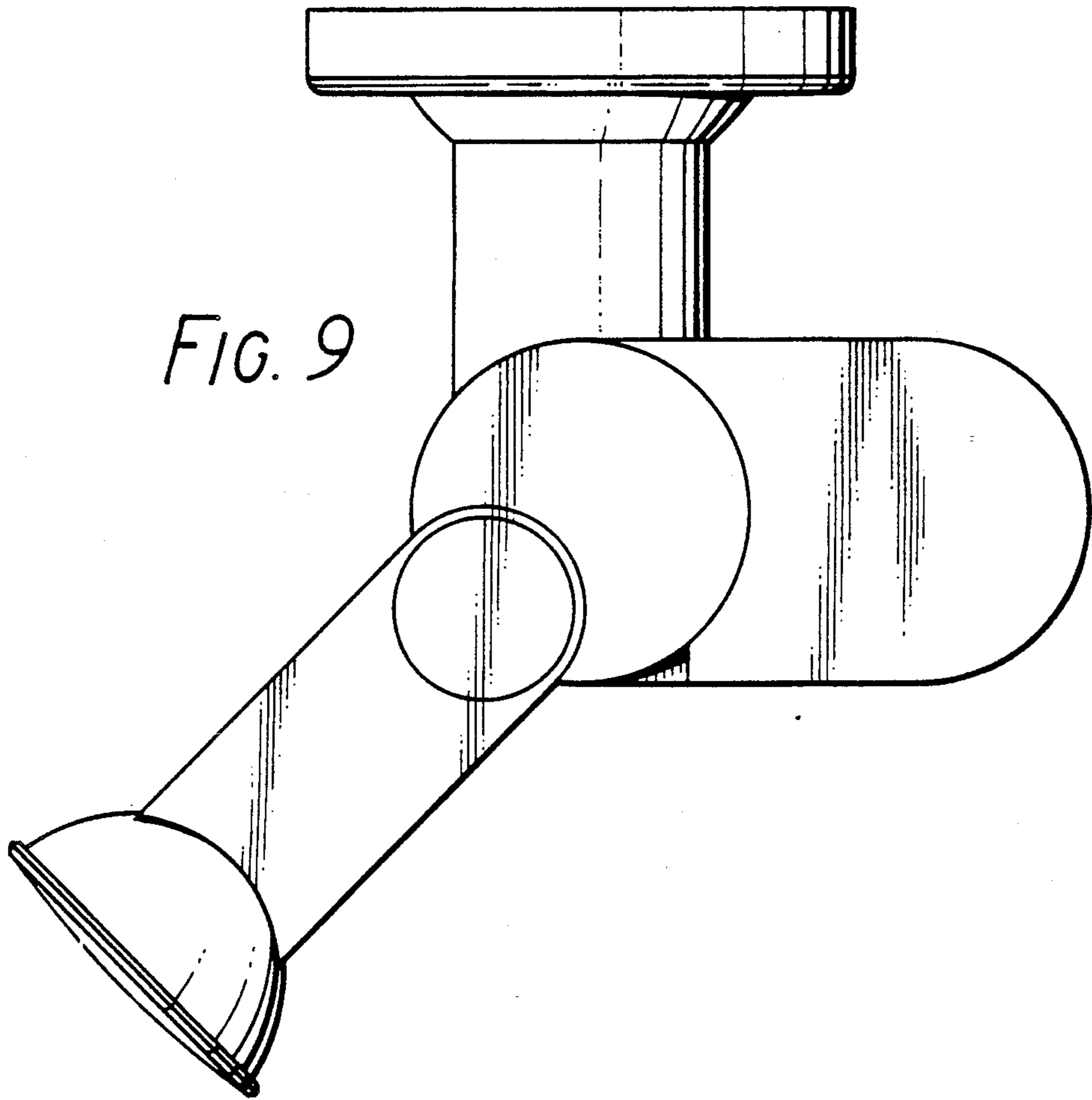


FIG. 8





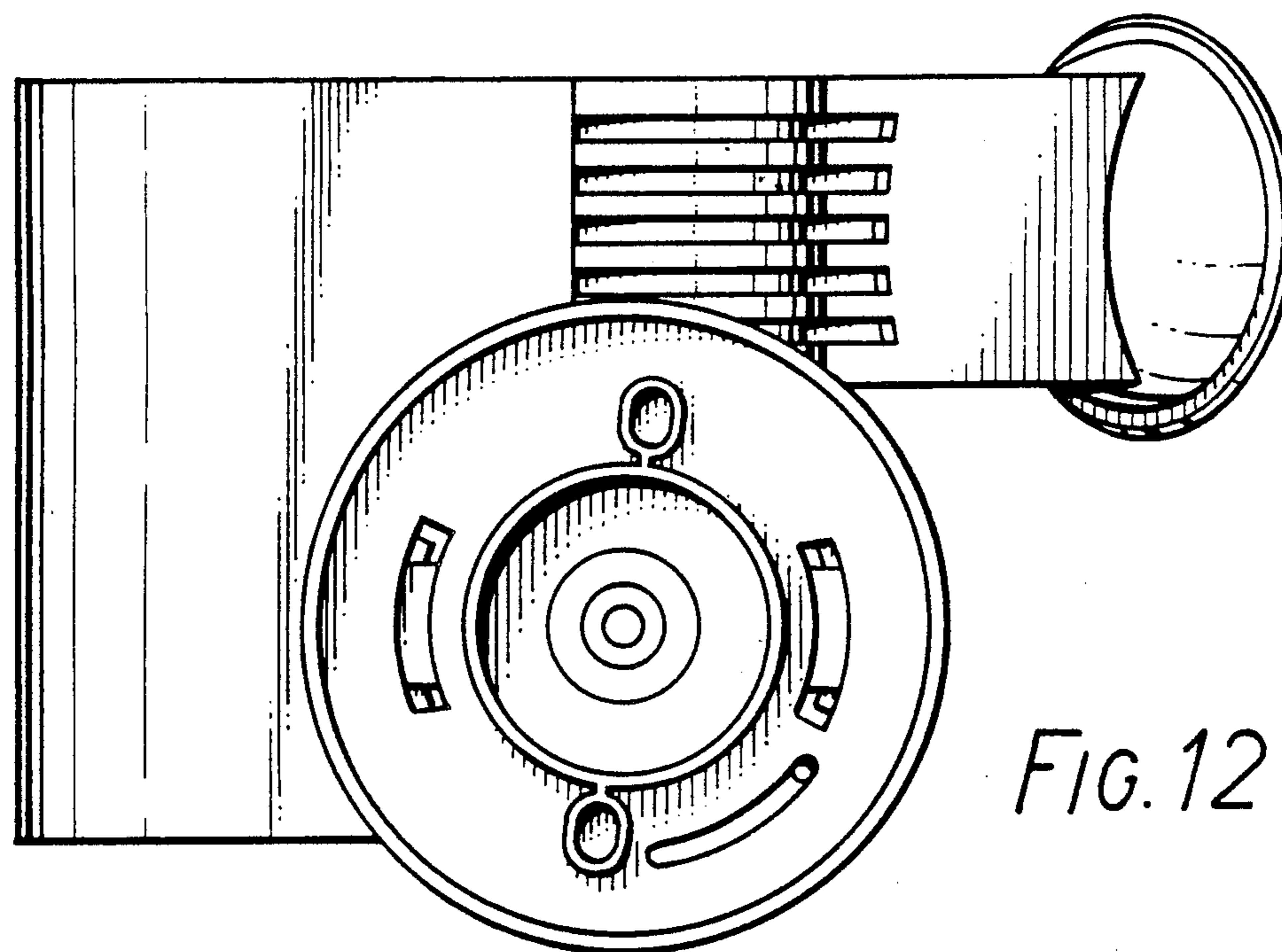
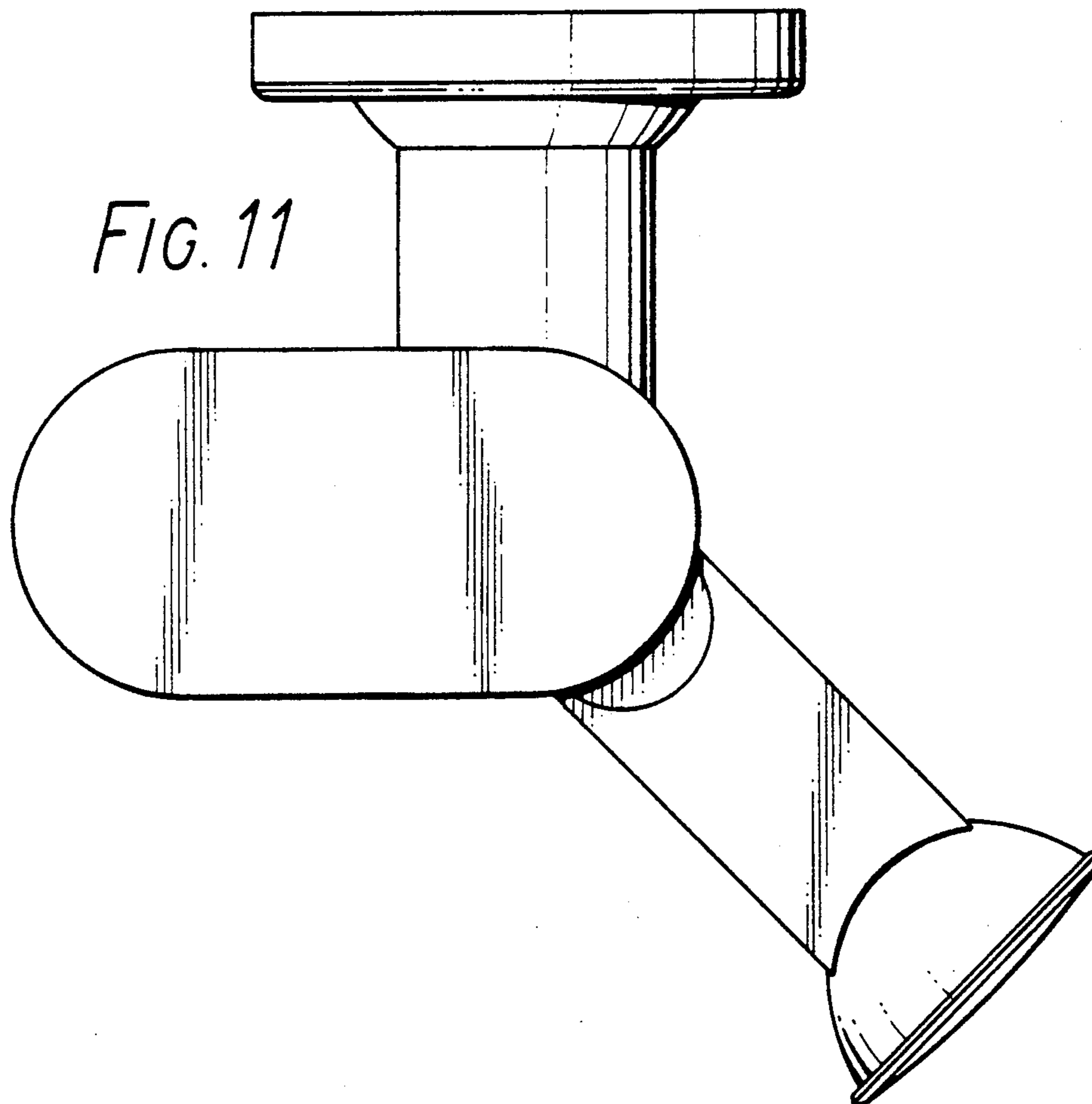


FIG. 13

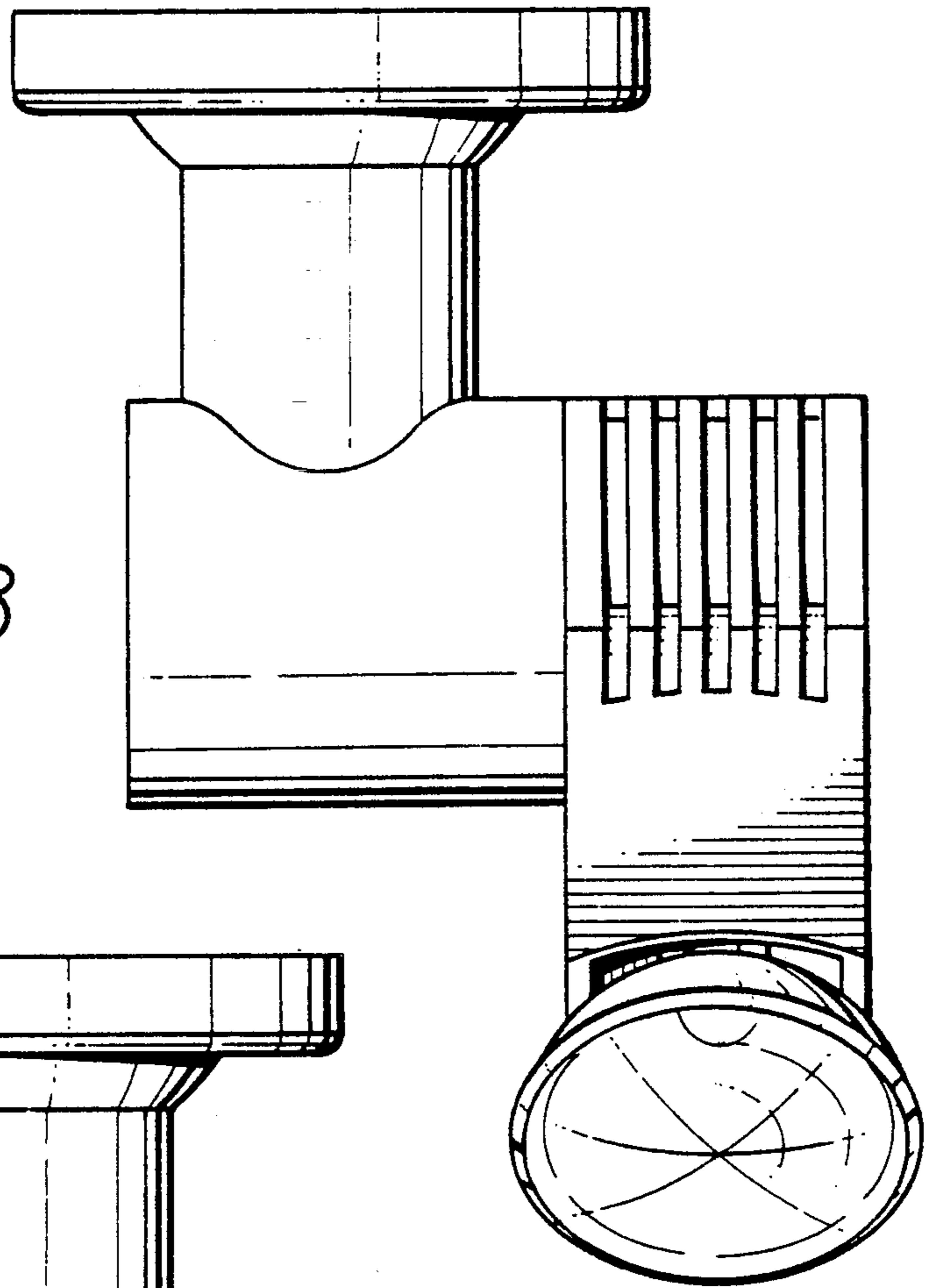


FIG. 14

