



US00D325645S

United States Patent [19]

[11] Patent Number: Des. 325,645

Grange

[45] Date of Patent: ** Apr. 21, 1992

[54] LIGHTING FIXTURE

[76] Inventor: **Kenneth H. Grange**, Acrise Cottage,
53 Christchurch Hill, London NW3,
England

[**] Term: 14 Years

[21] Appl. No.: 454,314

[22] Filed: Dec. 26, 1989

Primary Examiner—Susan J. Lucas
Attorney, Agent, or Firm—Fleit, Jacobson, Cohn, Price,
Holman & Stern

[57] CLAIM

The ornamental design for a lighting fixture, as shown and described.

DESCRIPTION

FIG. 1 is a top, front, right side perspective view of a lighting fixture showing my design as embodied in a track light;

FIG. 2 is a bottom plan view thereof;

FIG. 3 is a front elevational view thereof;

FIG. 4 is a rear elevational view thereof;

FIG. 5 is a left side elevational view thereof;

FIG. 6 is a top, front, right side perspective view of a second embodiment of my new design as embodied in a ceiling mounted light;

FIG. 7 is a bottom plan view thereof;

FIG. 8 is a front elevational view thereof;

FIG. 9 is a rear elevational view thereof; and,

FIG. 10 is a left side elevational view thereof.

Related U.S. Application Data

[63] Continuation-in-part of Ser. No. 414,081, Sep. 28, 1989.

[52] U.S. Cl. D26/63

[58] Field of Search D26/60-66;
362/147, 362, 267, 275, 285, 418, 419, 427

References Cited

U.S. PATENT DOCUMENTS

- D. 264,386 5/1982 Heritage D26/63
- D. 291,925 9/1987 Decanay D26/61
- D. 292,235 10/1987 Roos D26/65

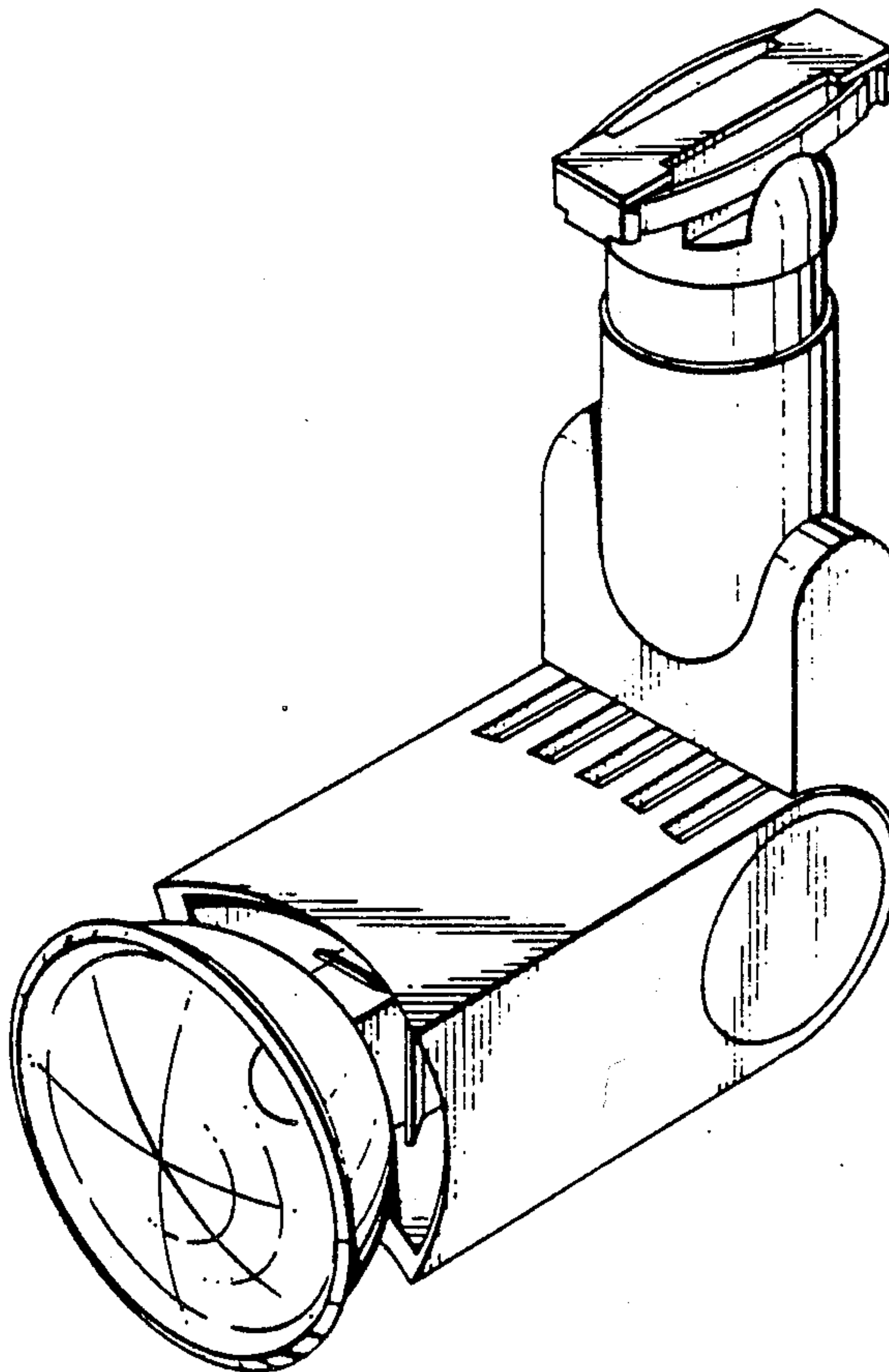


FIG. 1

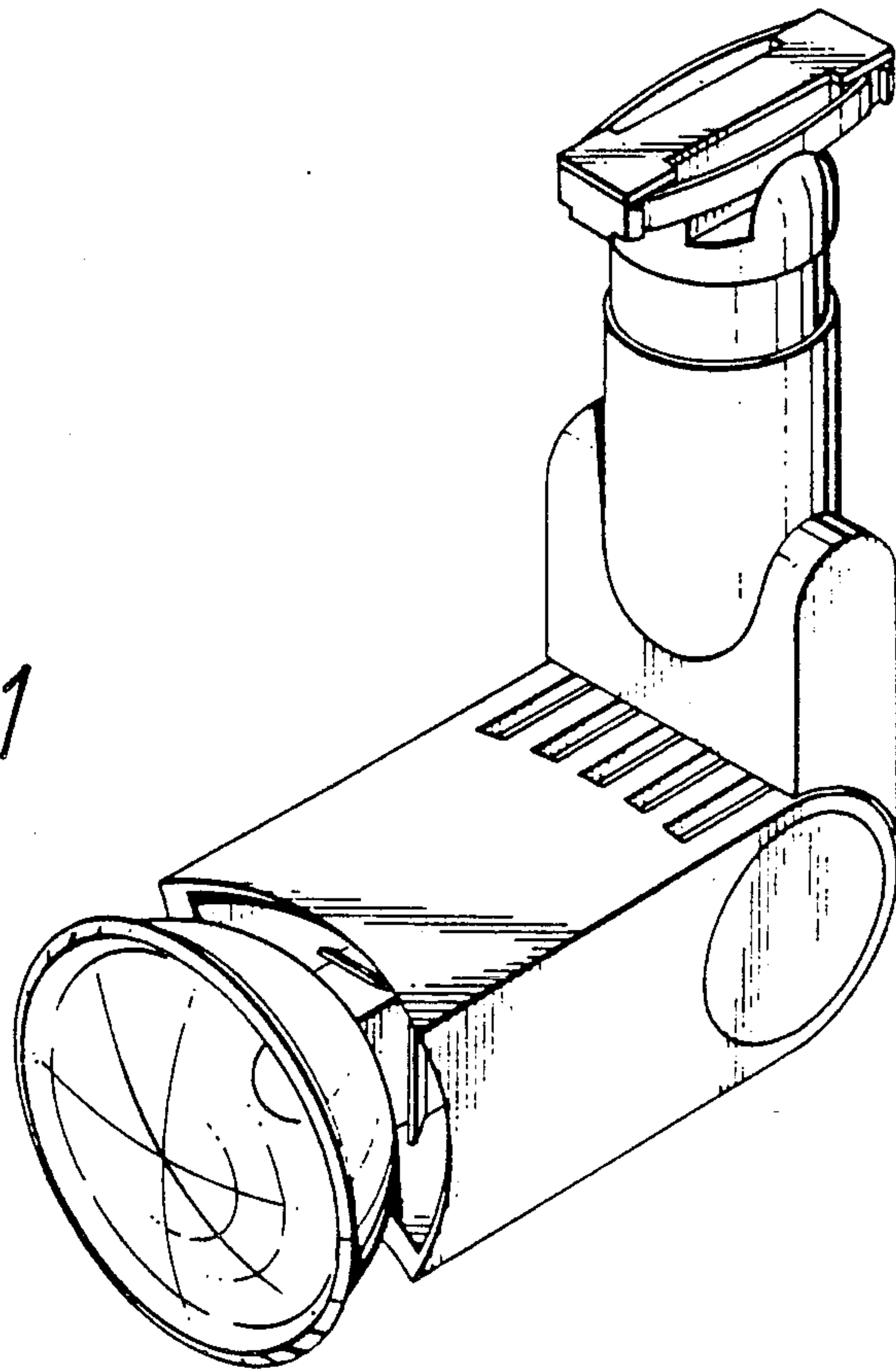


FIG. 2

