



US00D325641S

United States Patent [19]

Dallaire et al.

[11] Patent Number: **Des. 325,641**

[45] Date of Patent: **** Apr. 21, 1992**

[54] WINDOW COMPONENT EXTRUSION

[75] Inventors: **Raymond Dallaire; Dominique Dellaire**, both of St. David, Canada

[73] Assignee: **Dallaire Industries Ltd.**, Levis-Lauzon, Canada

[**] Term: **14 Years**

[21] Appl. No.: **526,313**

[22] Filed: **May 18, 1990**

[52] U.S. Cl. **D25/121**

[58] Field of Search **D25/119-125, D25/52; 49/501-502, 504, DIG. 122; 52/171, 579, 823**

[56] **References Cited**

U.S. PATENT DOCUMENTS

| | | | | |
|------------|---------|----------|-------|---------|
| D. 298,858 | 12/1988 | Anderson | | D25/124 |
| 376,979 | 1/1988 | Savce | | D25/123 |
| 2,564,386 | 8/1951 | Webb | | D25/121 |
| 3,416,793 | 12/1968 | Fox | | 52/823 |

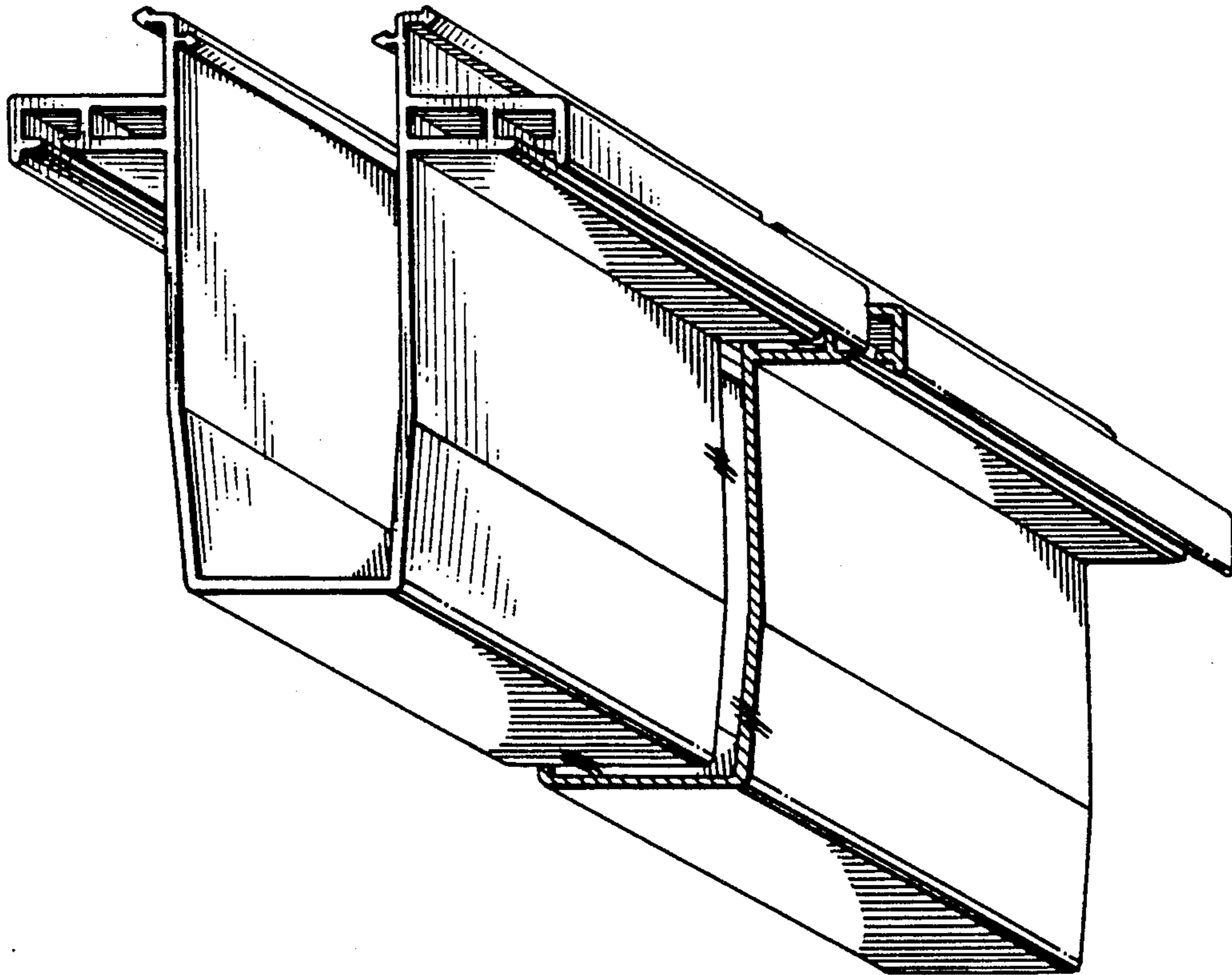
Primary Examiner—A. Hugo Word
Assistant Examiner—Doris Clark
Attorney, Agent, or Firm—James D. Hall

[57] CLAIM

The ornamental design for a window component extrusion, as shown and described.

DESCRIPTION

FIG. 1 is a bottom perspective view of a window component extrusion showing our new design, the extrusion being broken in the center to indicate indeterminate length; and, FIG. 2 is a top perspective view thereof.



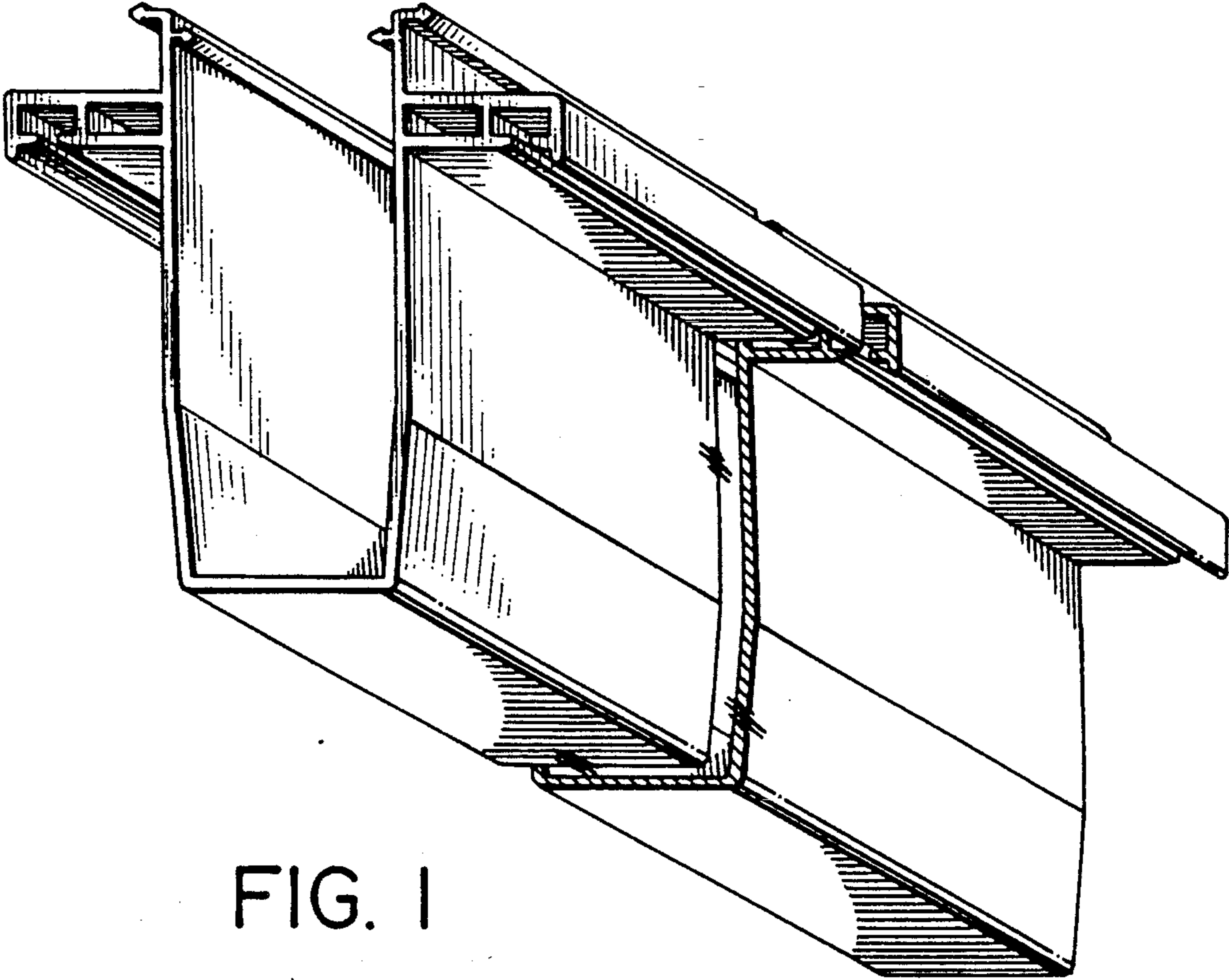


FIG. 1

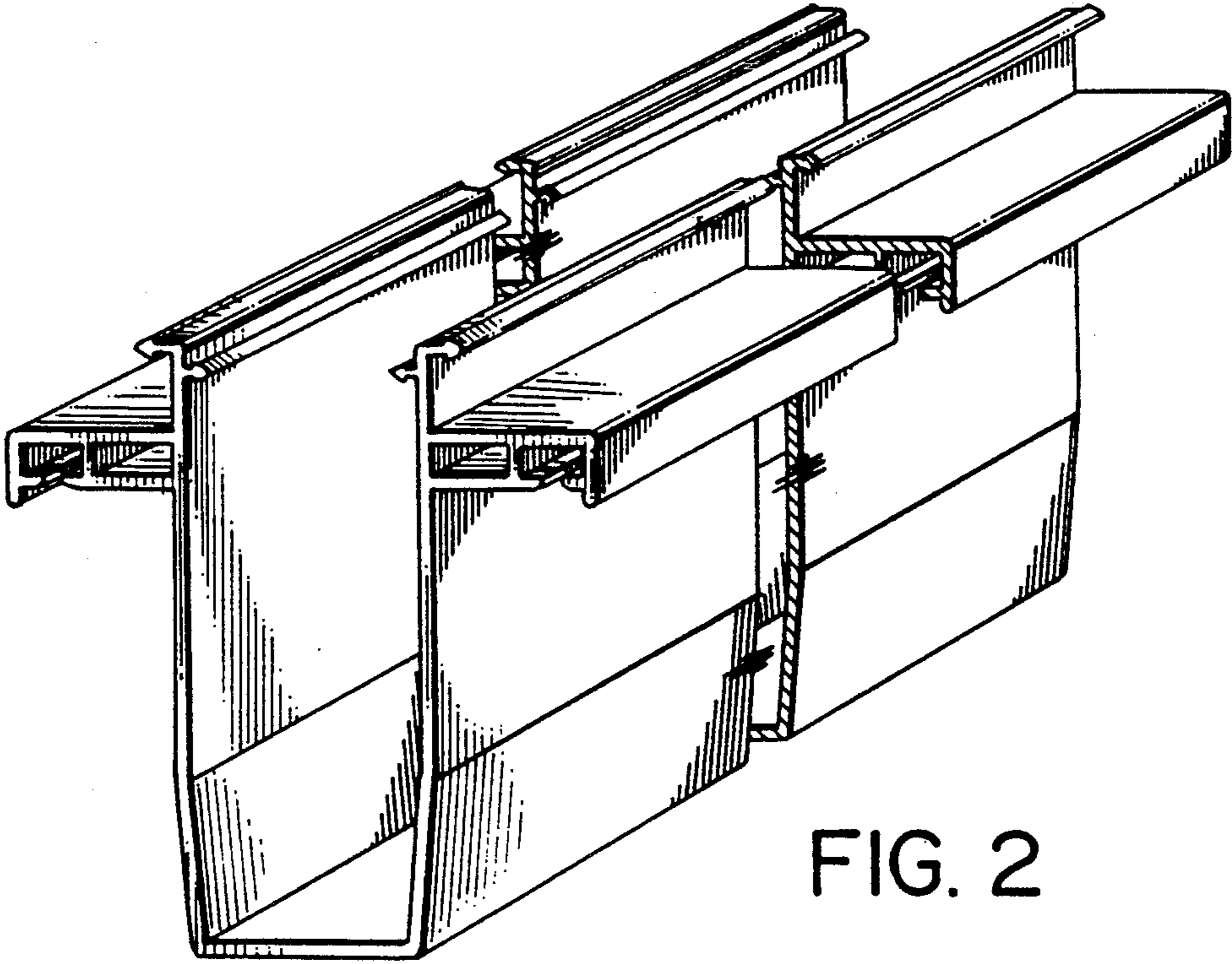


FIG. 2