



US00D325640S

United States Patent [19]

[11] Patent Number: **Des. 325,640**

Ballstadt

[45] Date of Patent: **** Apr. 21, 1992**

[54] **EXTRUDED FRAMING CHANNEL FOR A GLASS BLOCK**

Primary Examiner—A. Hugo Word
Assistant Examiner—Doris Clark
Attorney, Agent, or Firm—Bielen, Peterson & Lampe

[76] Inventor: **George Ballstadt, 4850 Richmond Ave., Fremont, Calif. 94536**

[57] **CLAIM**

[**] Term: **14 Years**

The ornamental design for an extruded framing channel for a glass block, as shown and described.

[21] Appl. No.: **503,175**

DESCRIPTION

[22] Filed: **Mar. 30, 1990**

FIG. 1 is a fragmentary perspective view of an extruded framing channel for a glass block showing my new design;

[52] U.S. Cl. **D25/119; D25/103**

FIG. 2 is an end elevational view thereof;

[58] Field of Search **D25/119-125, D25/103; 52/306-308; 40/584**

FIG. 3 is a side elevational view thereof;

FIG. 4 is a fragmentary bottom plan view thereof; and,

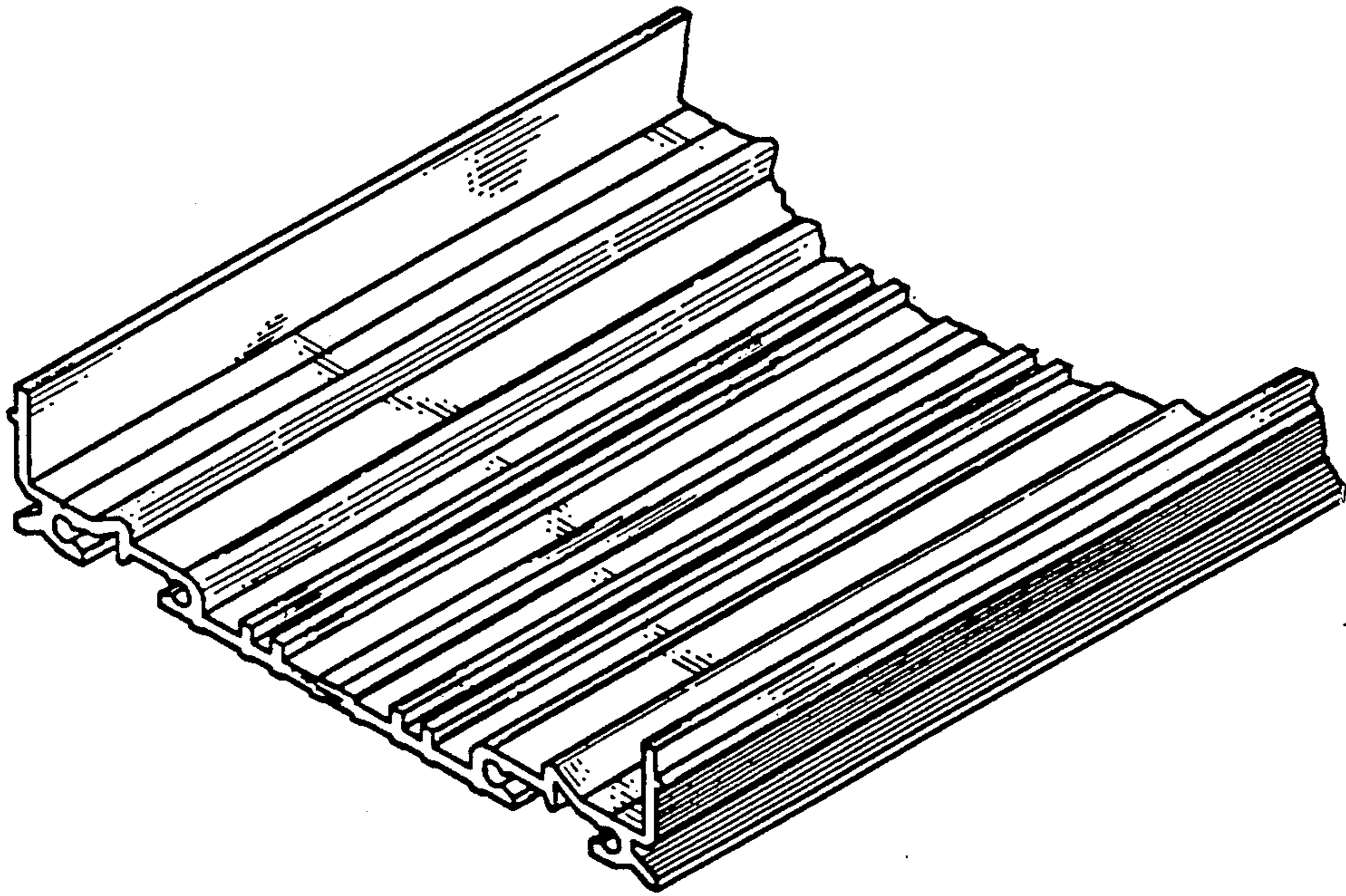
FIG. 5 is an enlarged fragmentary right side elevational view thereof.

[56] **References Cited**

U.S. PATENT DOCUMENTS

4,164,107	8/1979	Kraemling et al.	52/308
4,753,026	6/1988	Woodman et al.	40/584
5,014,471	5/1991	Ballstadt	52/308

The broken line showing of the portion of a glass block is for illustrative purposes only and forms no part of the claimed design.



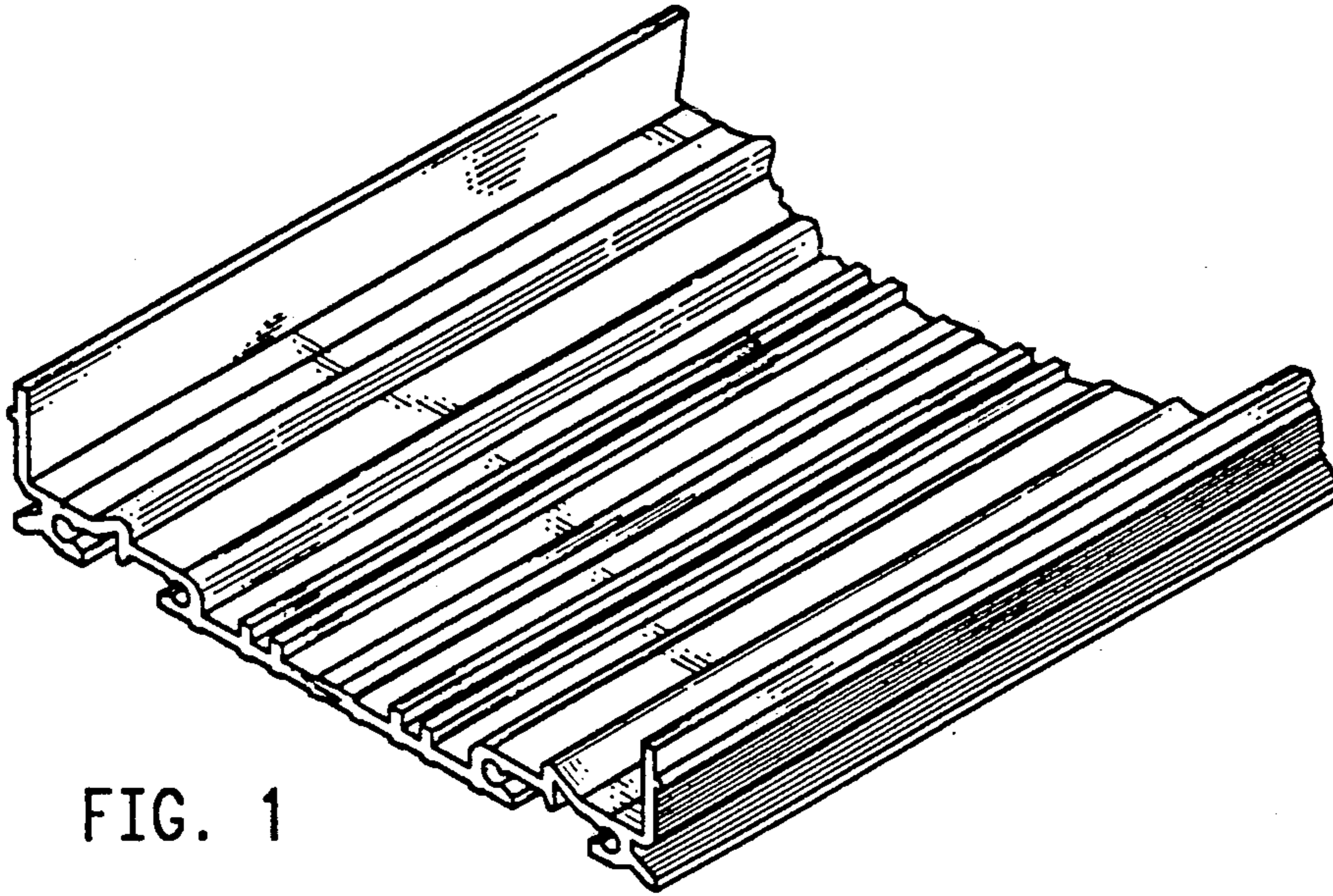


FIG. 1

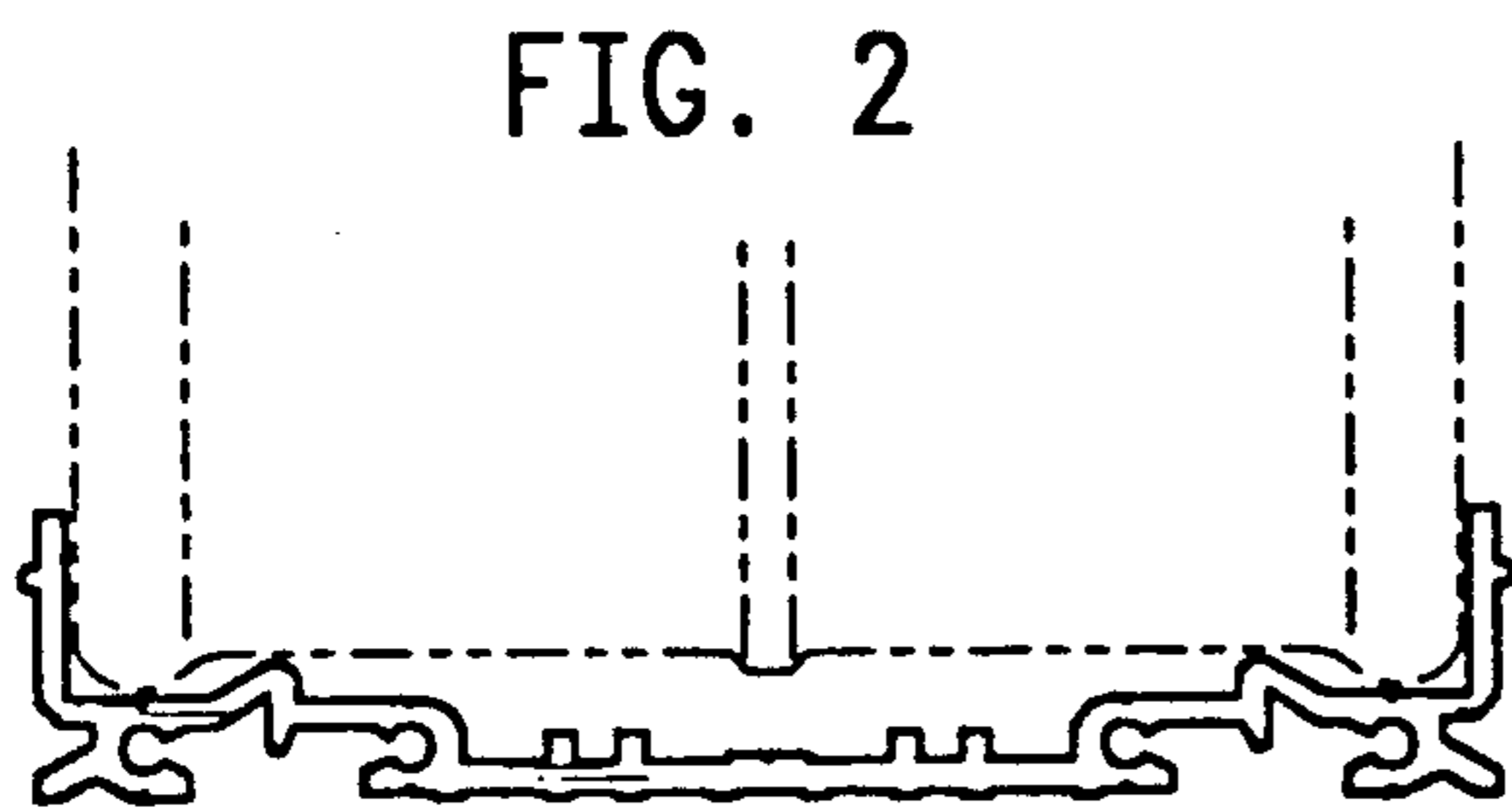


FIG. 2

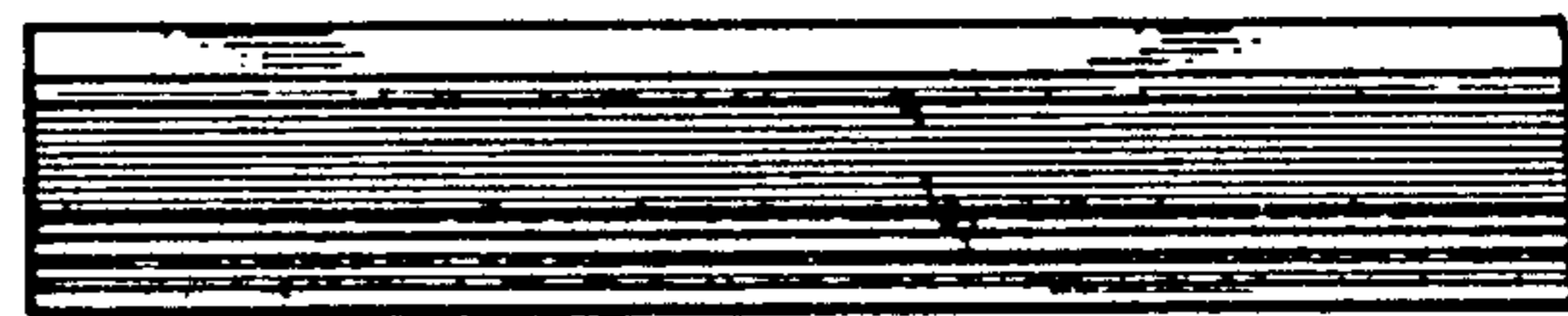


FIG. 3

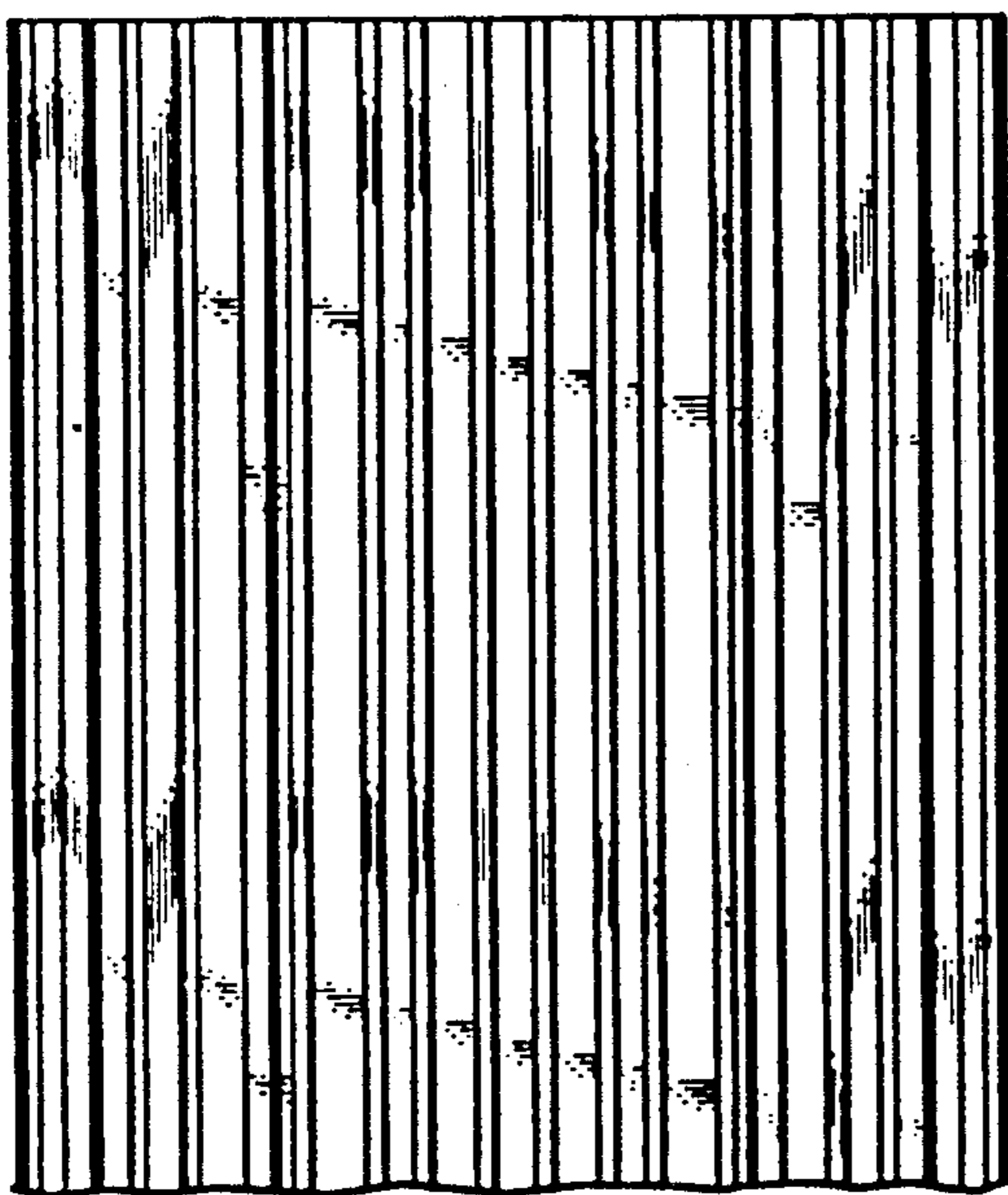


FIG. 4

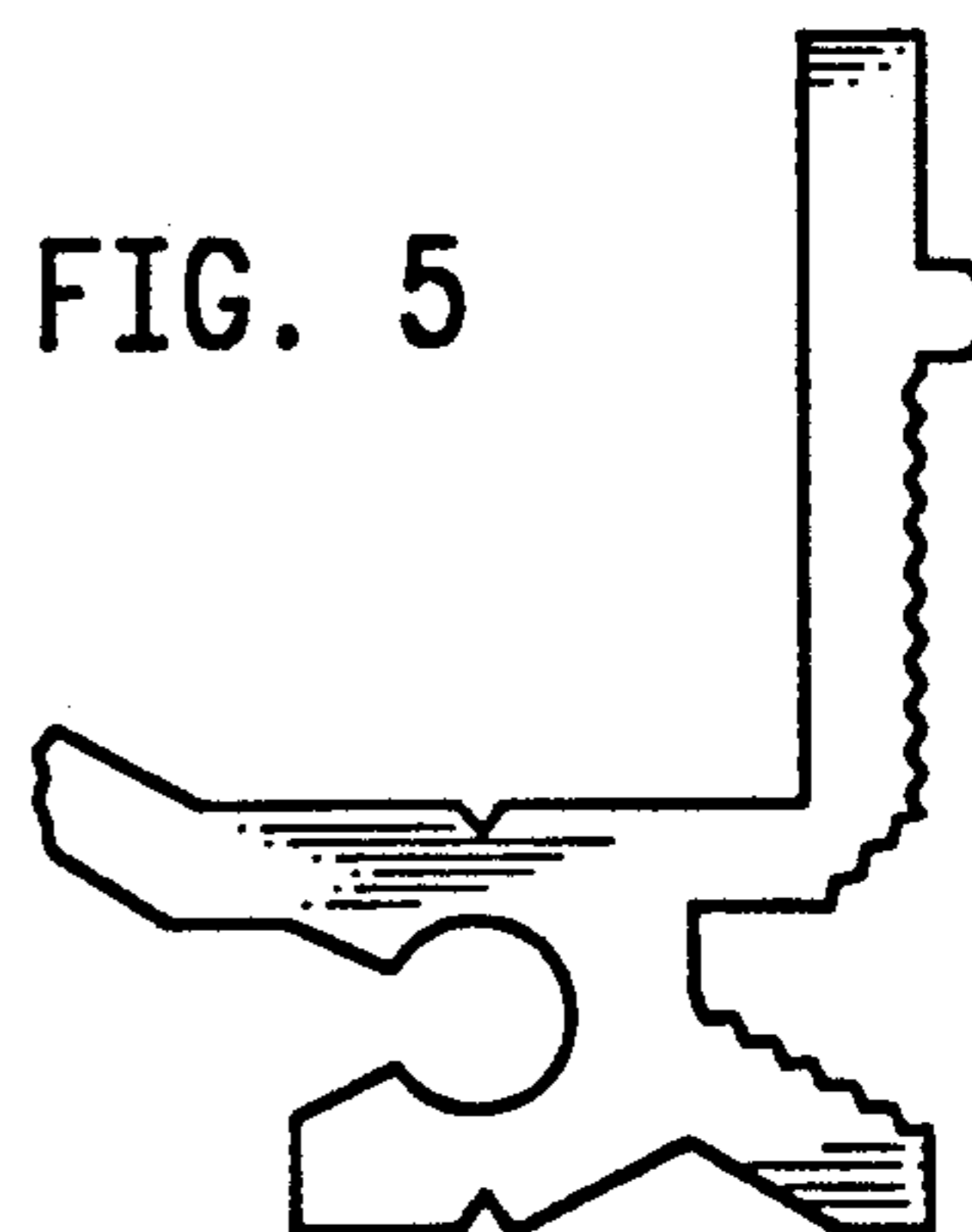


FIG. 5