



US00D325639S

United States Patent [19]

[11] Patent Number: Des. 325,639

Tavella

[45] Date of Patent: ** Apr. 21, 1992

[54] SAW HORSE BRACKET

FOREIGN PATENT DOCUMENTS

[76] Inventor: Joseph Tavella, 390 Mt. Oaks Dr., Wilkes-Barre, Pa. 18702

1684235 3/1970 Fed. Rep. of Germany 182/182
213231 5/1962 Japan D25/68
409342 10/1966 Switzerland 182/184

[**] Term: 14 Years

Primary Examiner—A. Hugo Word
Assistant Examiner—Doris Clark
Attorney, Agent, or Firm—Leon Gilden

[21] Appl. No.: 417,673

[22] Filed: Oct. 5, 1989

[57] CLAIM

[52] U.S. Cl. D25/68

The ornamental design for a saw horse bracket, as shown and described.

[58] Field of Search D25/68, 69, 67;
182/129, 182, 184, 185, 153, 224-226

DESCRIPTION

[56] References Cited

U.S. PATENT DOCUMENTS

D. 213,399	2/1969	Chew	D25/68
D. 300,861	4/1989	Correll et al.	D25/67
865,858	9/1907	Bonenberger	182/182
1,936,196	11/1933	Kacena	182/224
4,394,005	7/1983	Stewart	182/226

FIG. 1 is a front elevational view of a saw horse bracket showing my new design;

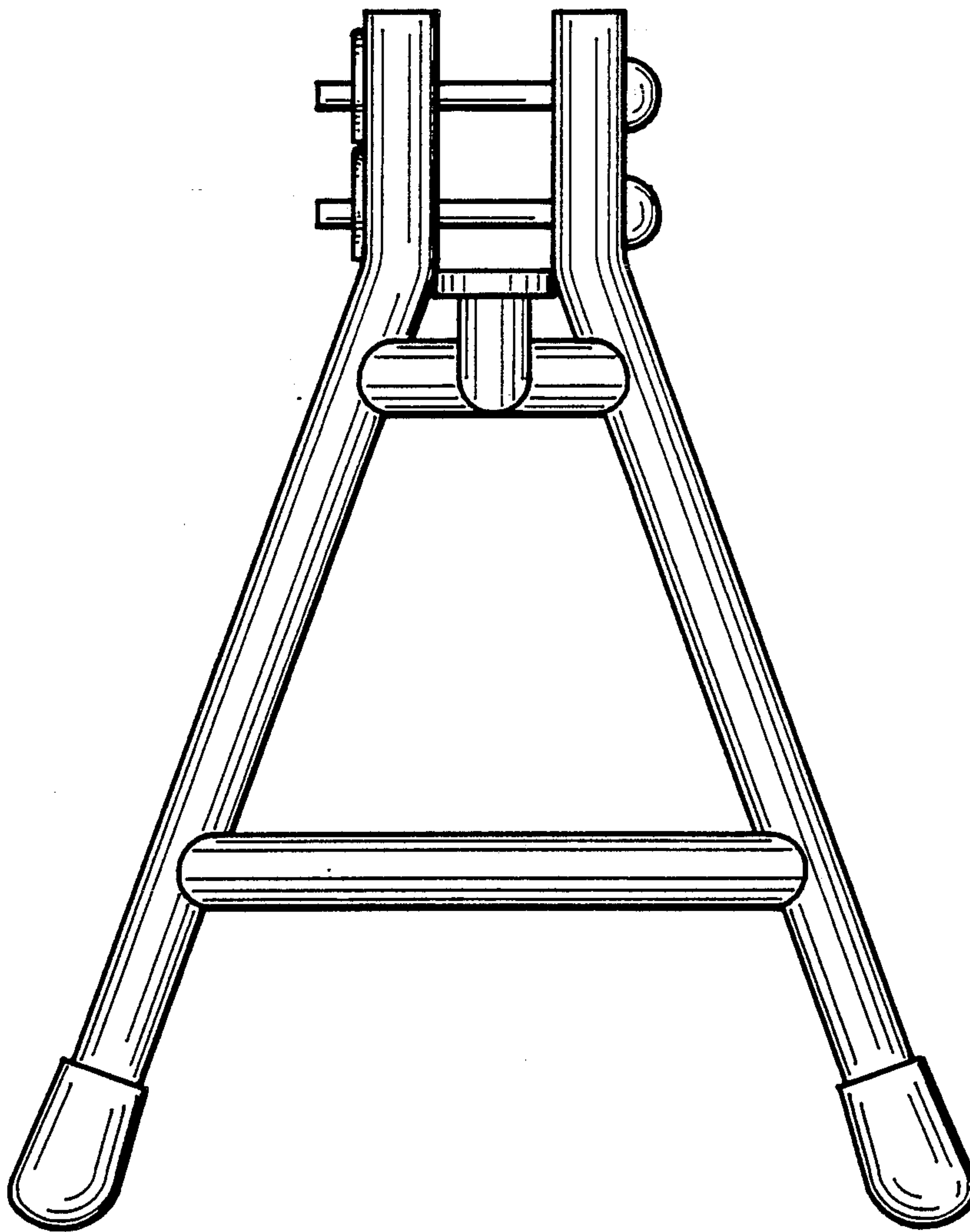
FIG. 2 is a rear elevational view thereof;

FIG. 3 is a left side elevational view thereof;

FIG. 4 is a right side elevational view thereof;

FIG. 5 is a top plan view thereof; and,

FIG. 6 is a bottom plan view thereof.



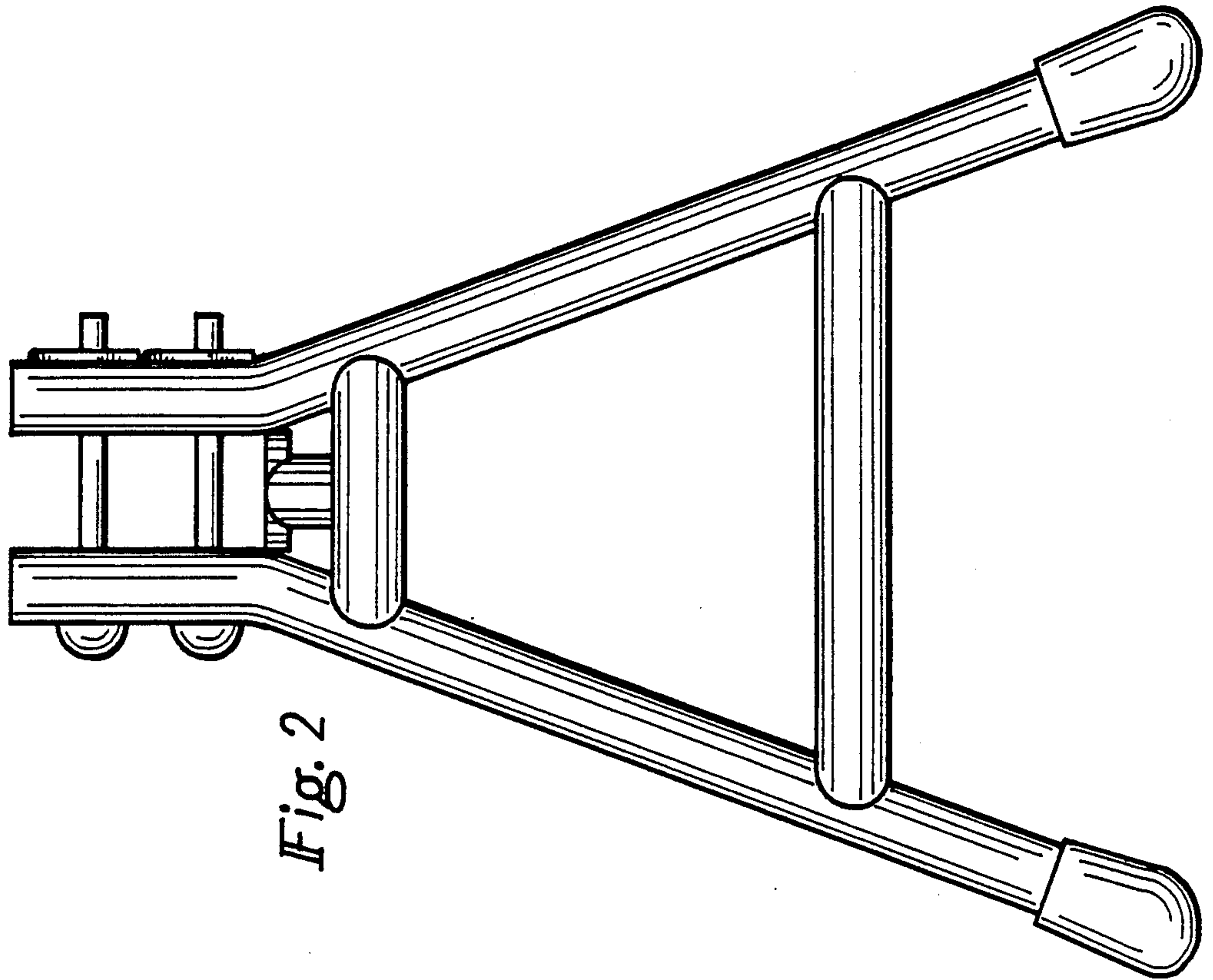


Fig. 2

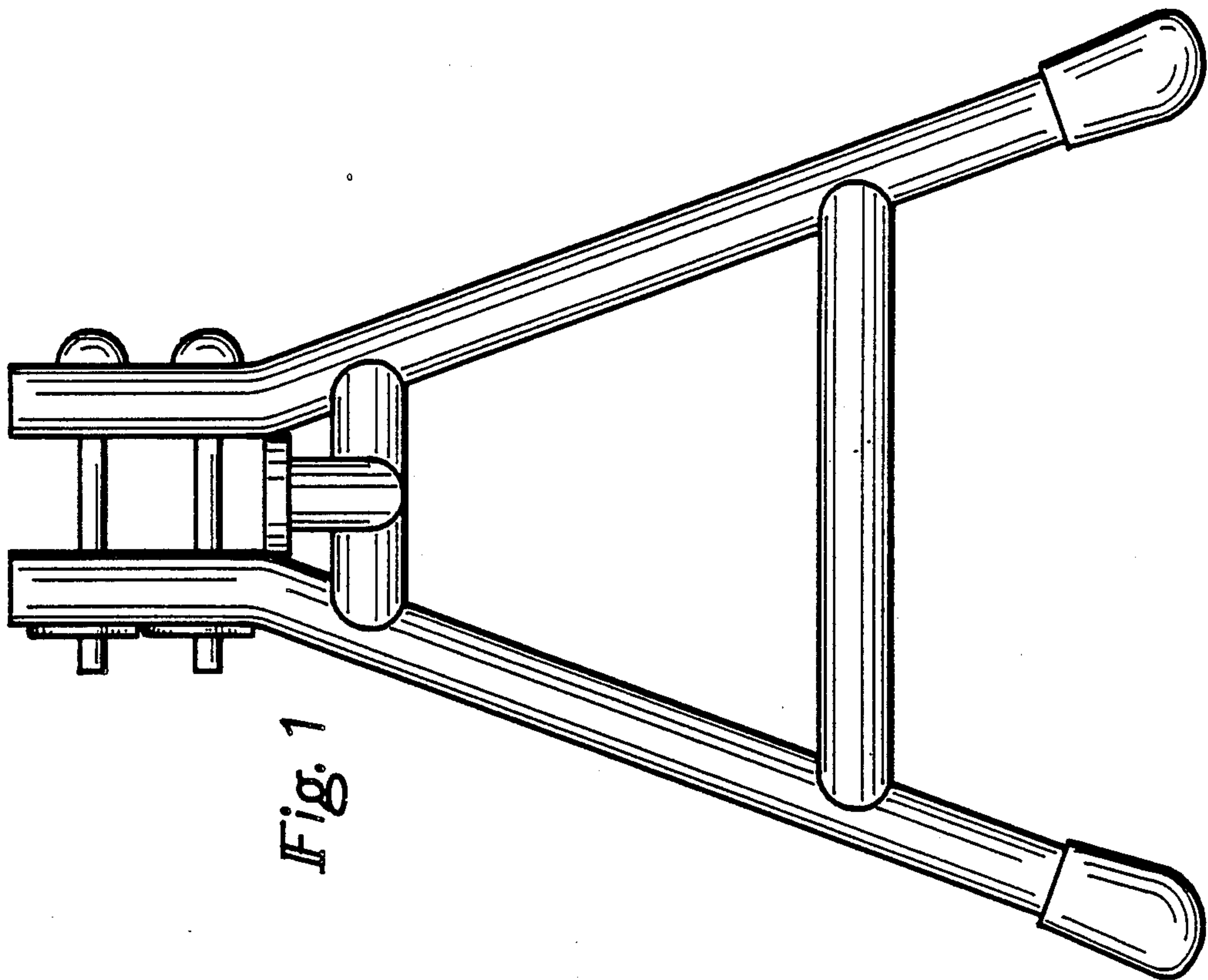


Fig. 1

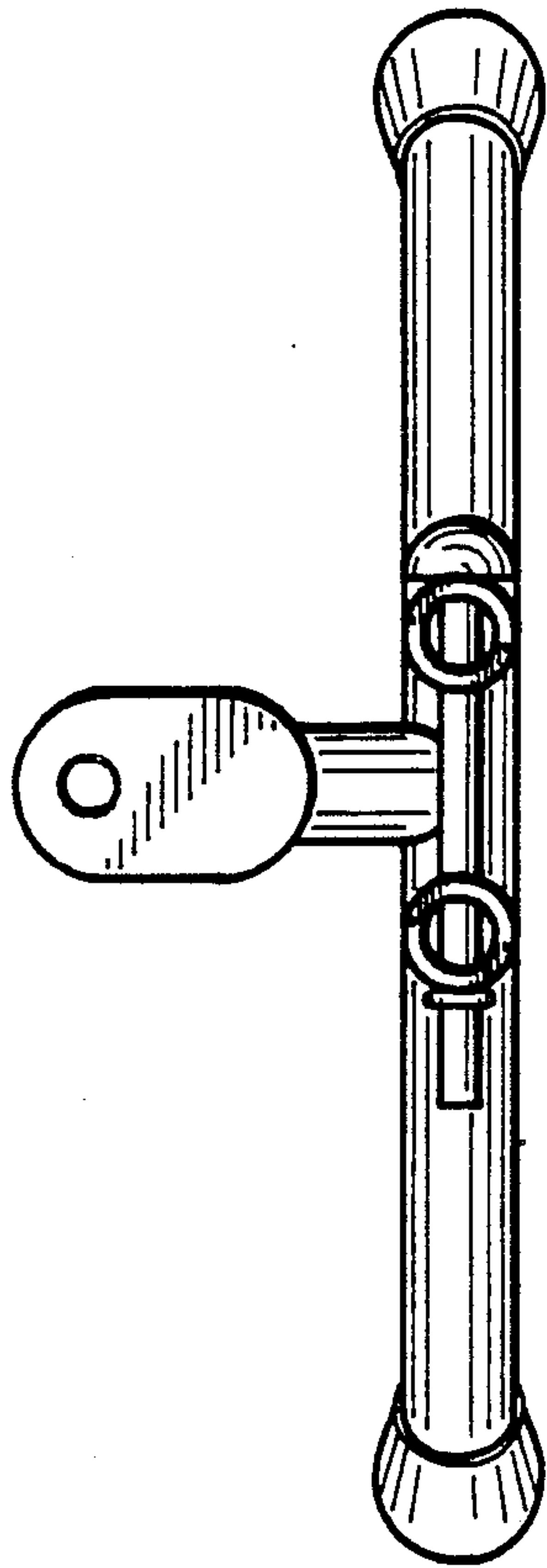


Fig. 5

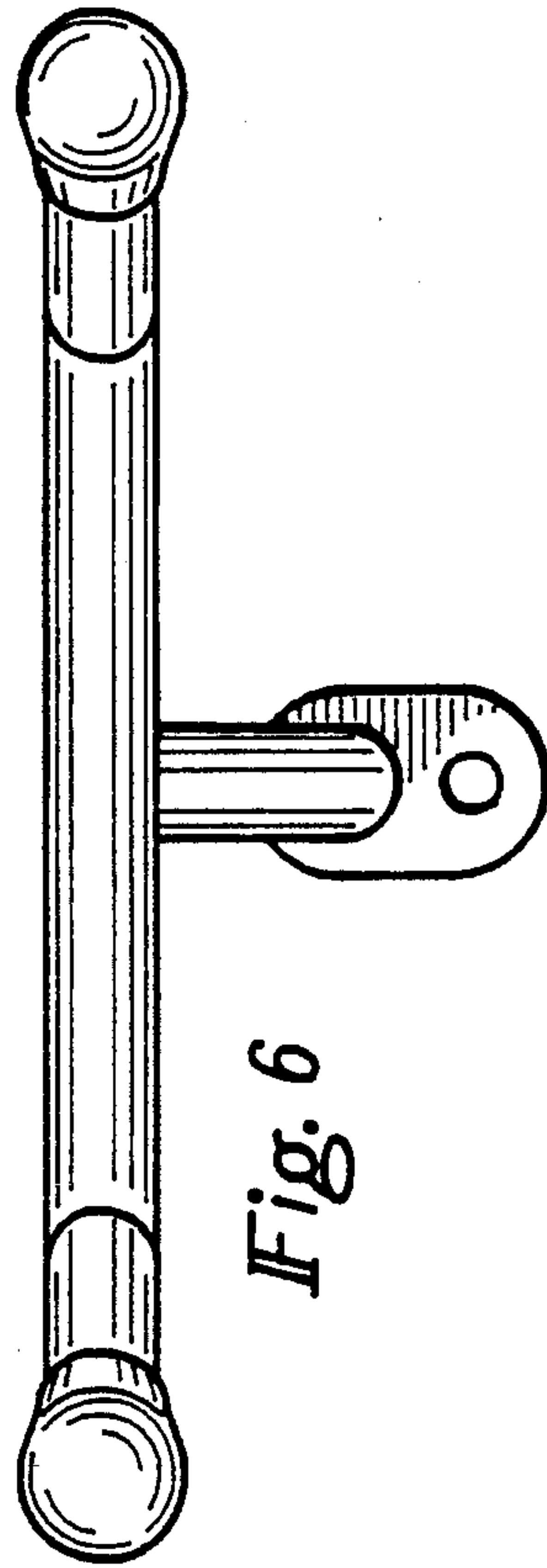


Fig. 6

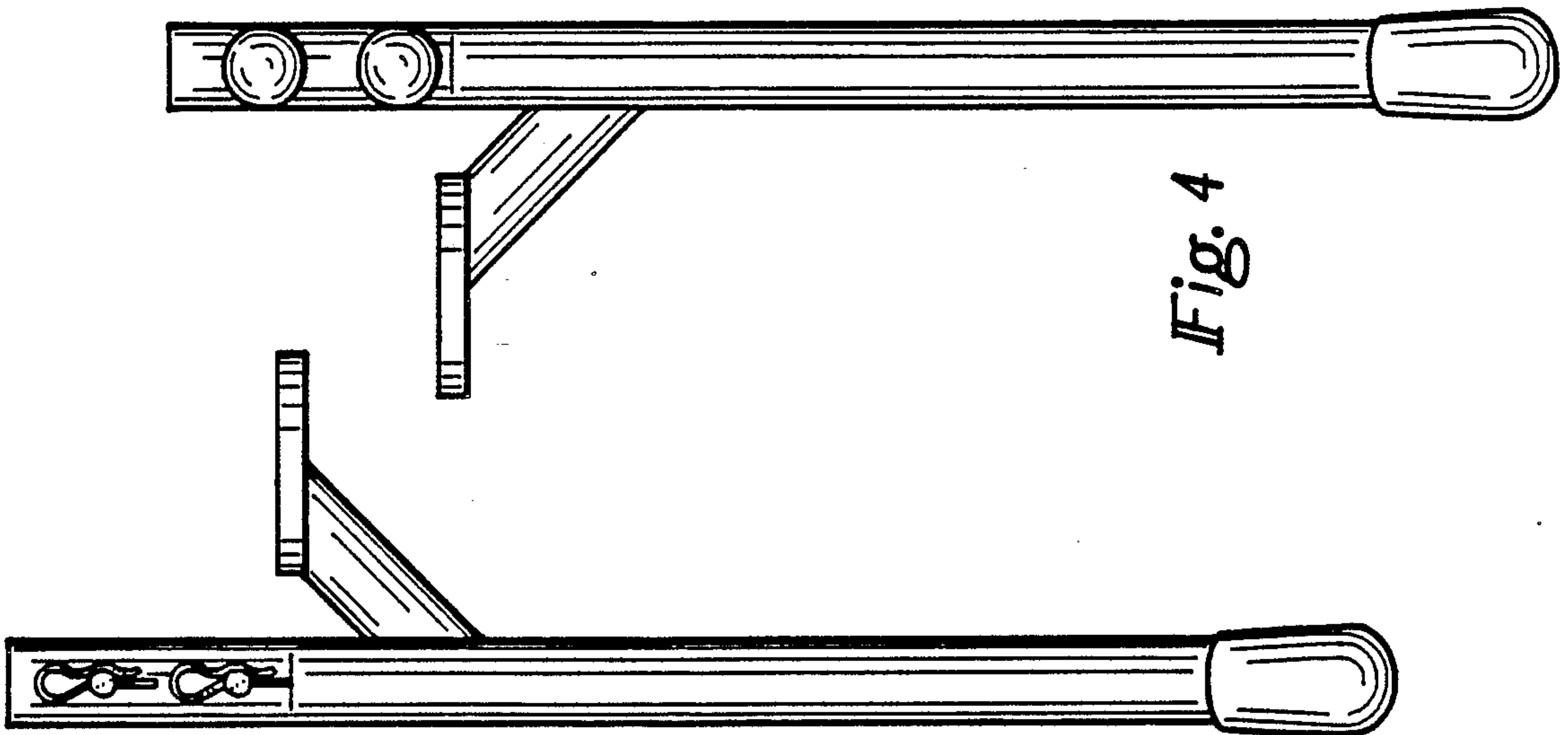


Fig. 3

Fig. 4