



US00D325638S

United States Patent [19]

Sloat et al.

[11] Patent Number: Des. 325,638

[45] Date of Patent: ** Apr. 21, 1992

[54] MICROTESTER OR THE LIKE

[75] Inventors: Sharon S. Sloat; Carol A. Ziel, both of Ames, Iowa

[73] Assignee: Hach Company, Loveland, Colo.

[**] Term: 14 Years

[21] Appl. No.: 377,197

[22] Filed: Jul. 10, 1989

[52] U.S. Cl. D24/226; D9/341; D24/224

[58] Field of Search D24/224, 216, 226; 422/61, 58, 100, 99, 102; D9/341

D. 316,449 4/1991 D'Aquino et al. D24/226
 3,382,969 5/1968 Cerniak D24/226 X

Primary Examiner—Stella Reid
Attorney, Agent, or Firm—Dean P. Edmundson

[57] CLAIM

The ornamental design for a microtester or the like, as shown.

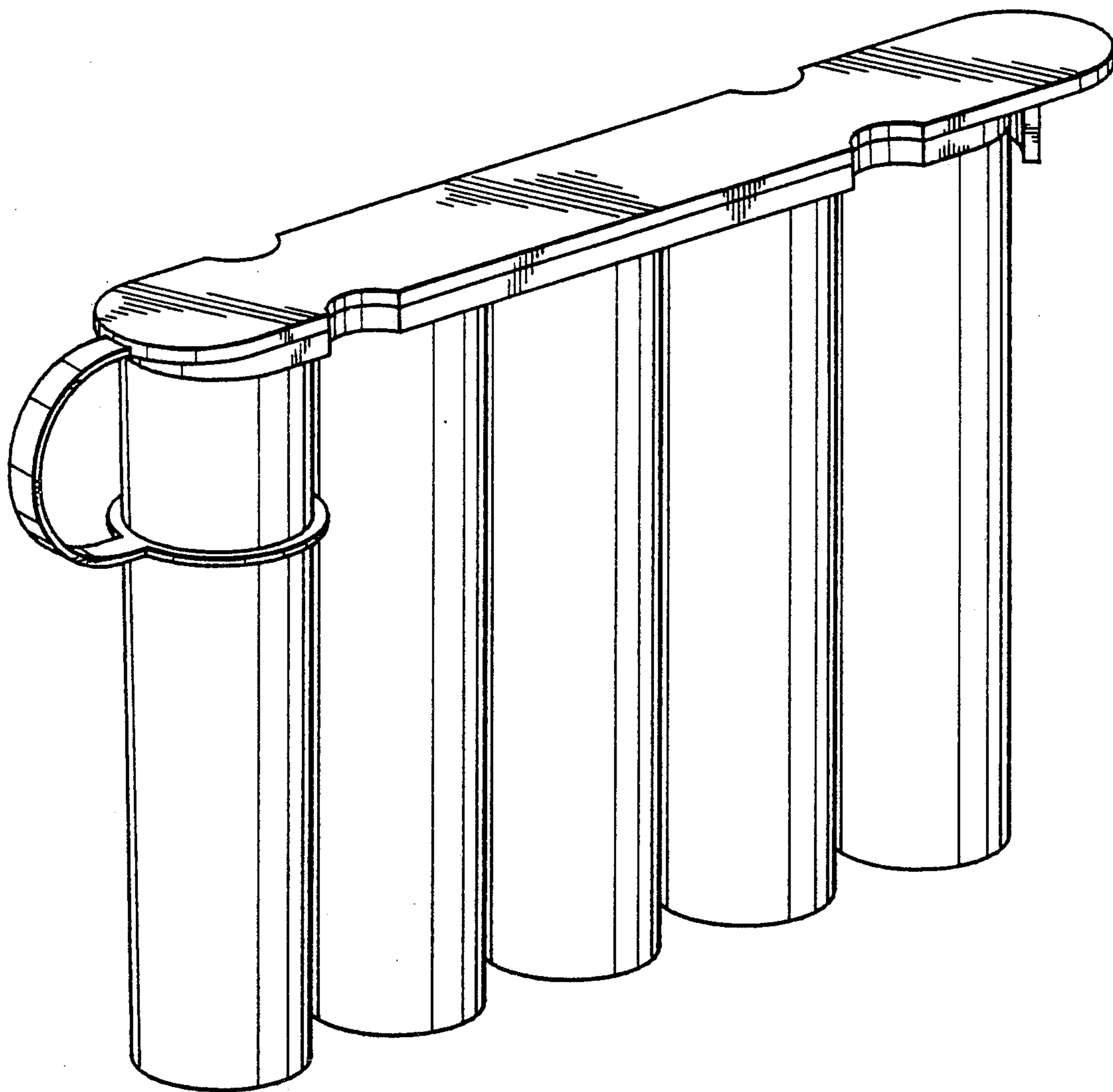
DESCRIPTION

FIG. 1 is a front perspective view of a microtester or the like, showing my new design;
 FIG. 2 is an end elevational view thereof;
 FIG. 3 is an end elevational view thereof, opposite that shown in FIG. 2;
 FIG. 4 is a side elevational view thereof;
 FIG. 5 is a side elevational view thereof, opposite that shown in FIG. 4;
 FIG. 6 is a top plan view thereof; and,
 FIG. 7 is a bottom plan view thereof.

[56] **References Cited**

U.S. PATENT DOCUMENTS

D. 271,619 11/1983 Herrmann D24/226
 D. 285,118 8/1986 Huang D24/226
 D. 309,779 8/1990 D'Aquino et al. D24/226



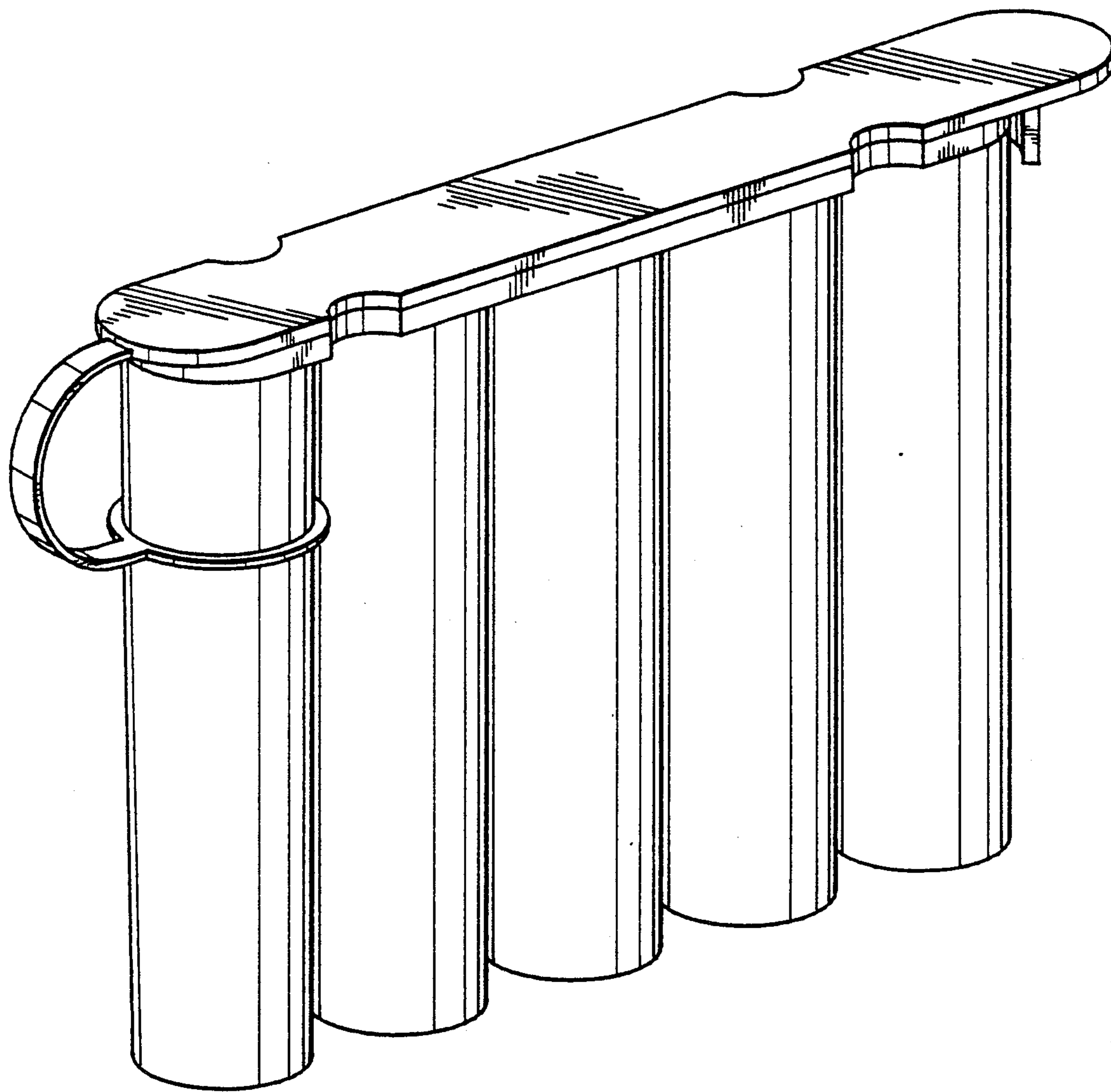


FIG. 1

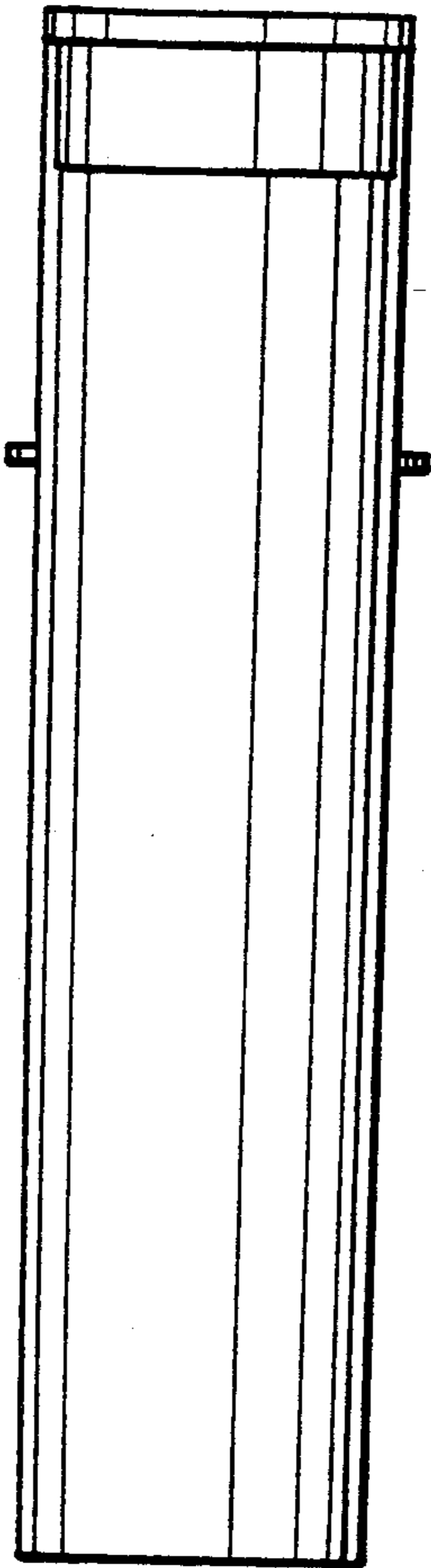


FIG. 2

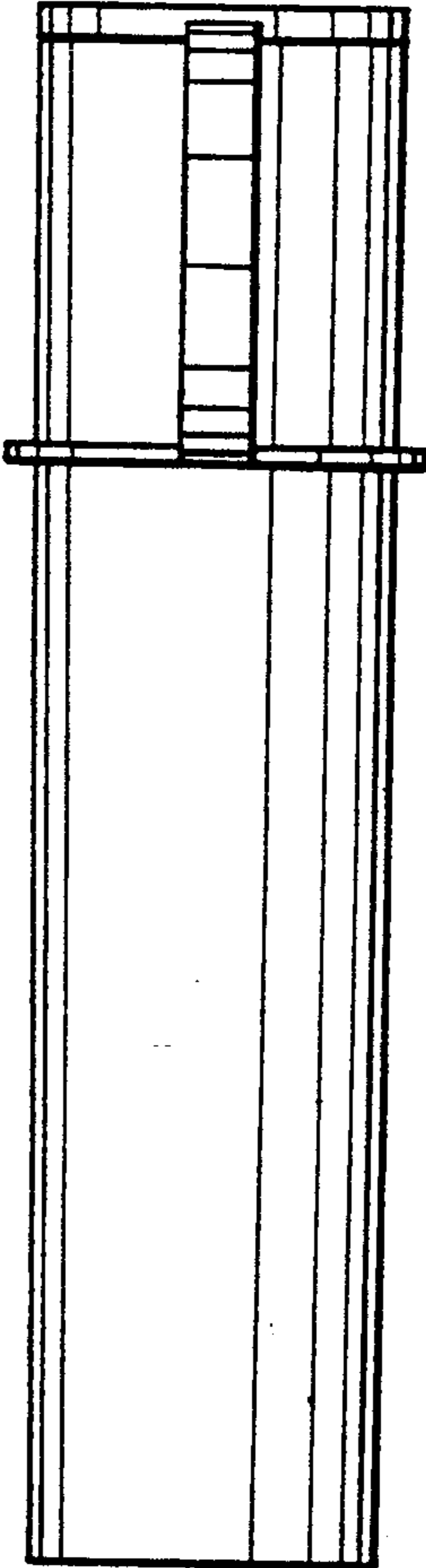


FIG. 3

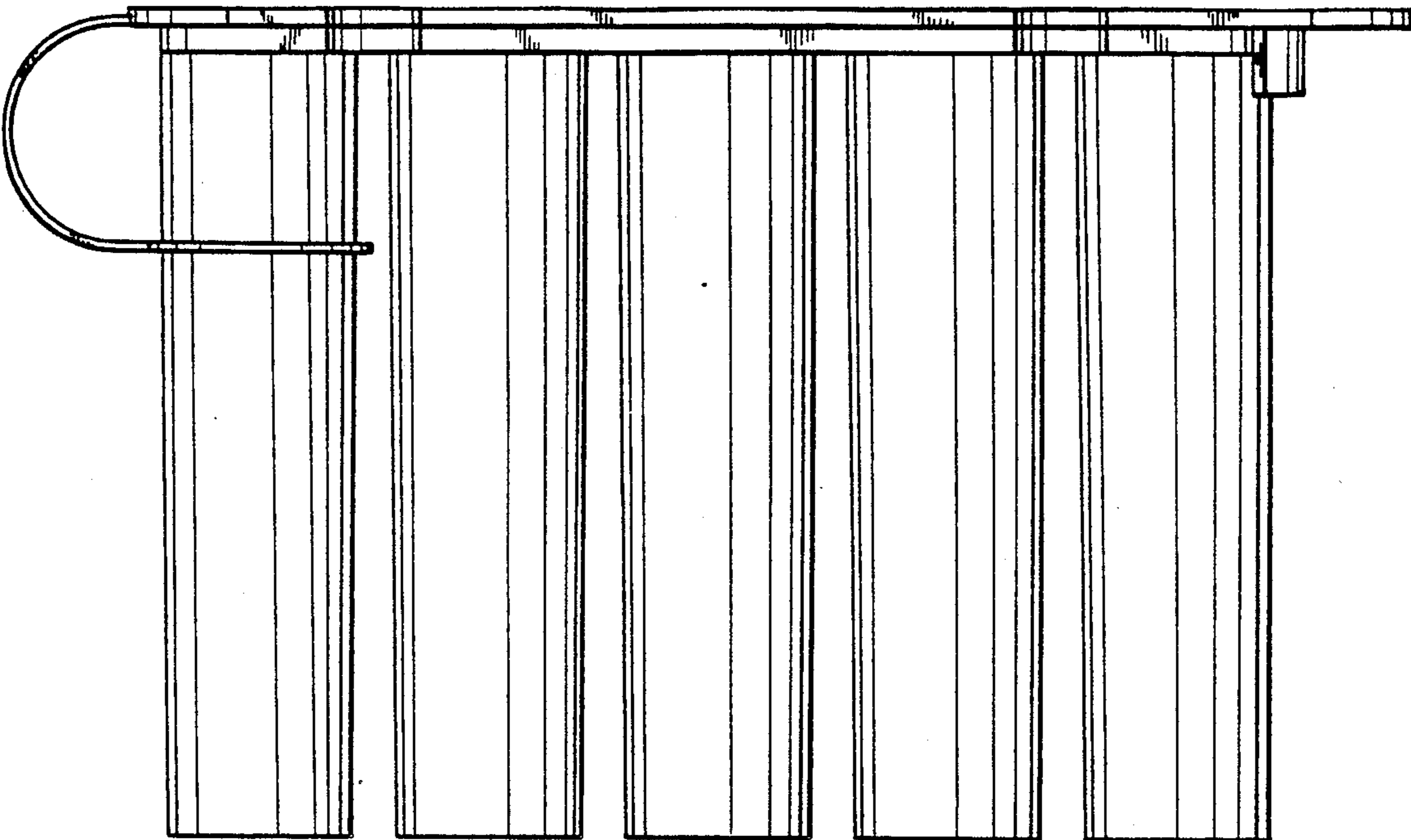


FIG. 4

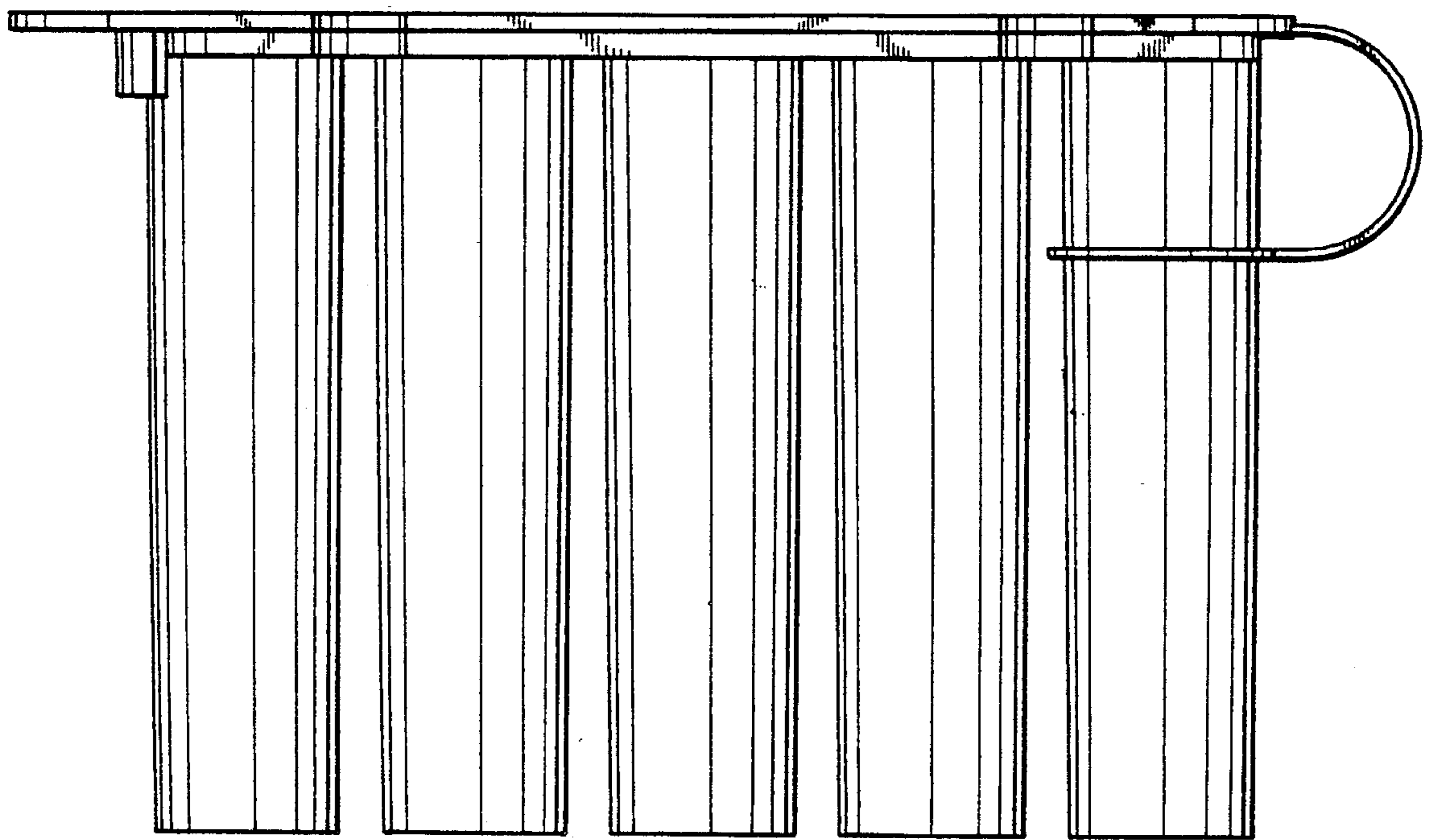


FIG. 5

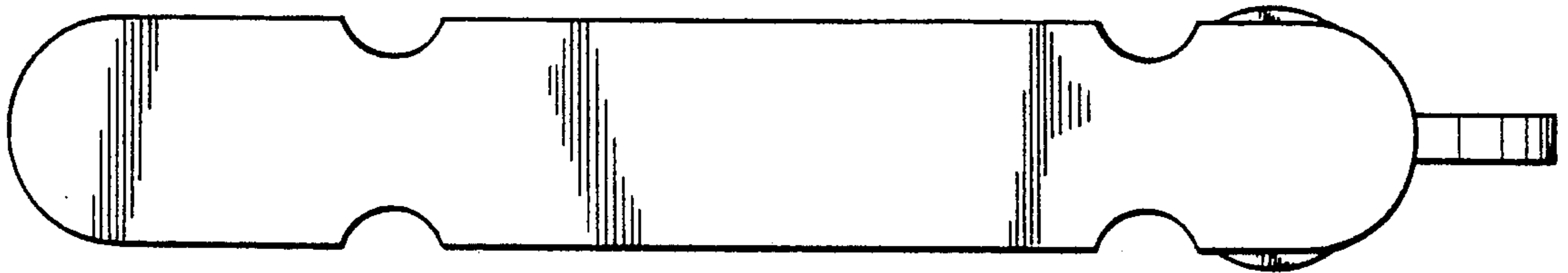


FIG. 6

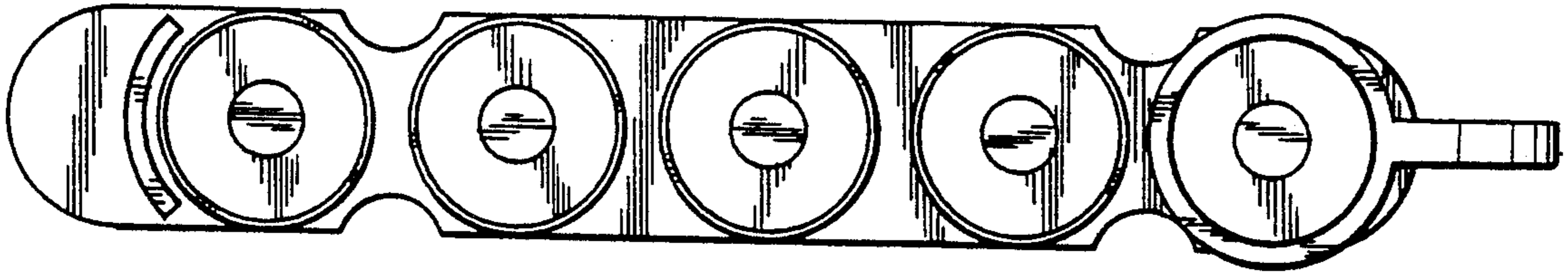


FIG. 7