



US00D325631S

United States Patent [19]

[11] Patent Number: **Des. 325,631**

Daoud et al.

[45] Date of Patent: **** Apr. 21, 1992**

[54] **MEDICAL TUBE CLAMP**

[75] Inventors: **Adib G. Daoud; Fred W. Bacher**, both of San Diego, Calif.

[73] Assignee: **IVAC Corporation**, San Diego, Calif.

[**] Term: **14 Years**

[21] Appl. No.: **411,628**

[22] Filed: **Sep. 25, 1989**

[52] U.S. Cl. **D24/143; 251/10**

[58] Field of Search **D24/143, 129; 606/158; 24/132 WL, 134 KA, 134 R; 251/7, 10, 9; 604/250**

4,112,944 9/1978 Williams 604/244
 4,193,174 3/1980 Stephens 24/249
 4,247,076 1/1981 Larkin 251/7
 4,346,869 8/1982 MacNeill 251/10
 4,460,358 7/1984 Somerville et al. 604/250
 4,689,043 8/1987 Bisha 604/250
 4,787,406 11/1988 Edwards et al. 604/250 X

Primary Examiner—A. Hugo Word
Assistant Examiner—M. N. Pandozzi
Attorney, Agent, or Firm—Fulwider Patton Lee & Utecht

[56] **References Cited**
U.S. PATENT DOCUMENTS

820,216 5/1906 Leffingwell et al. .
 1,968,454 7/1934 Hyatt 251/5
 2,832,560 2/1957 Grigsby 251/9
 3,698,681 10/1972 Lacey 251/10
 3,822,052 7/1974 Lange 251/10
 3,900,184 8/1975 Burke et al. D24/129 X
 3,915,167 10/1975 Waterman 604/250
 3,942,228 3/1976 Buckman et al. 24/255
 4,091,815 5/1978 Larsen 128/325

[57] **CLAIM**

The ornamental design for a medical tube clamp, as shown.

DESCRIPTION

FIG. 1 is a perspective view of a medical tube clamp showing our new design;
 FIG. 2 is a an exploded perspective view thereof;
 FIG. 3 is a front elevational view thereof;
 FIG. 4 is a top plan view thereof;
 FIG. 5 is a rear elevational view thereof;
 FIG. 6 is a bottom plan view thereof;
 FIG. 7 is a left side elevational view thereof; and,
 FIG. 8 is a right side elevational view thereof.

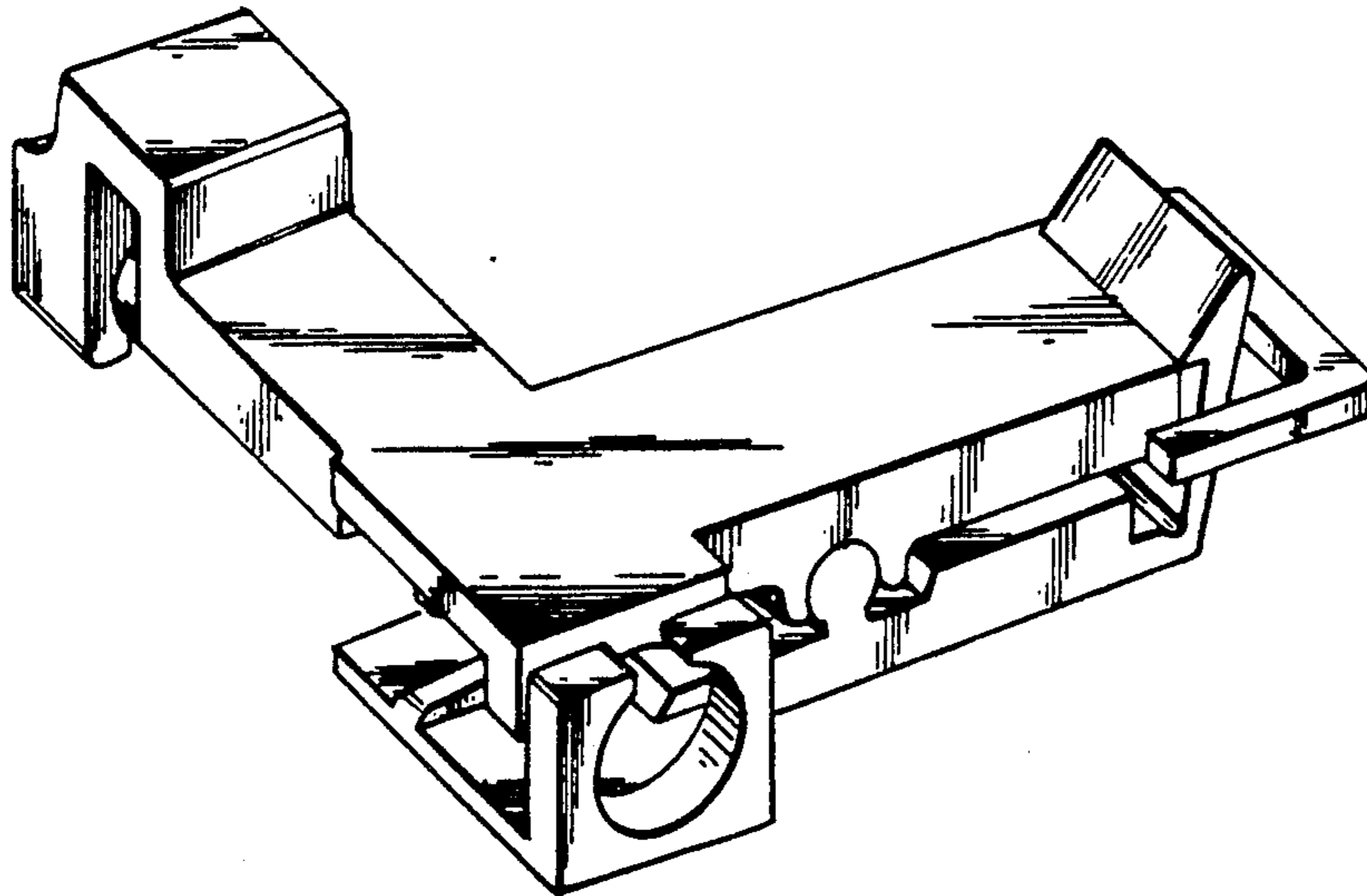


FIG. 1

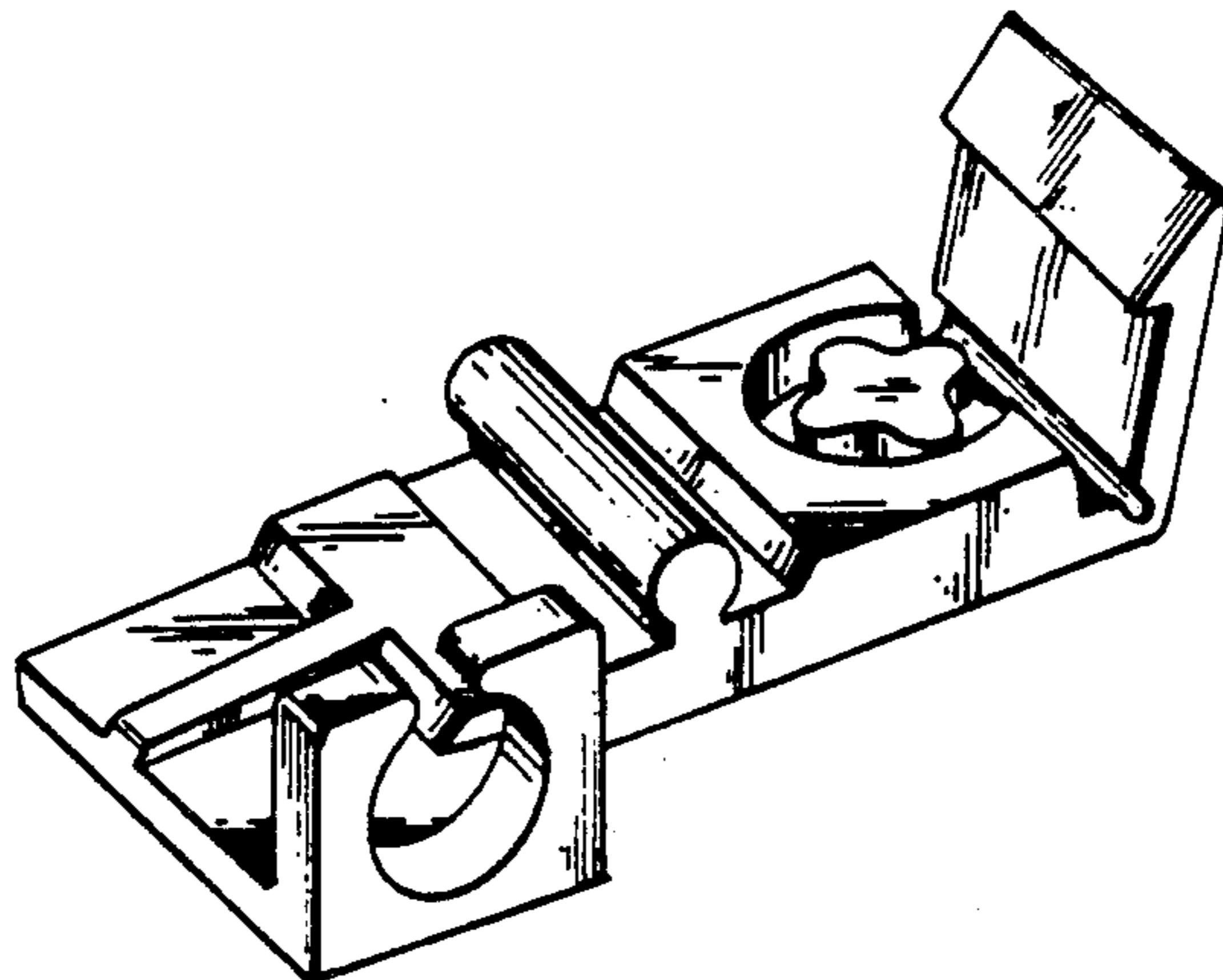
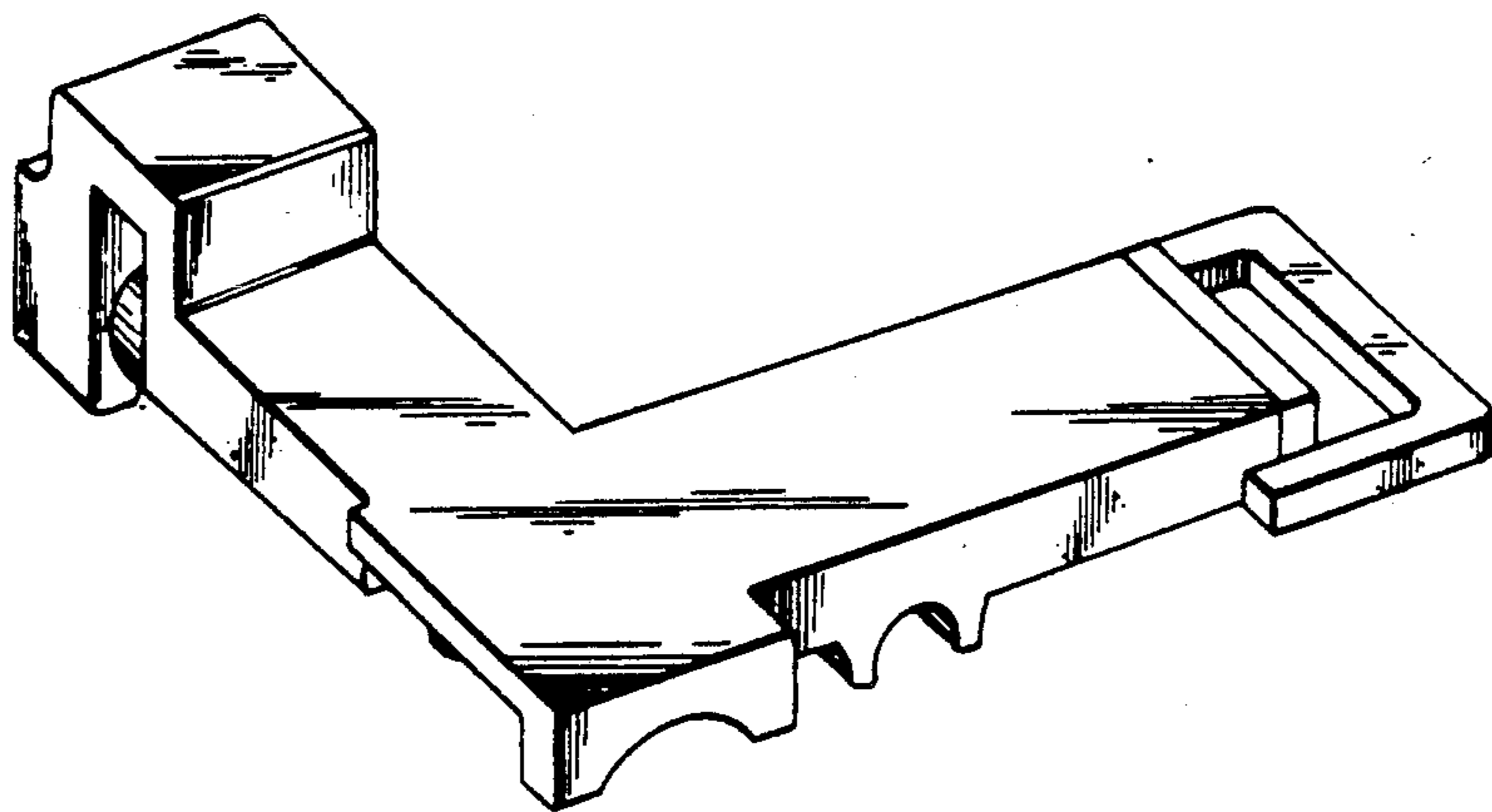
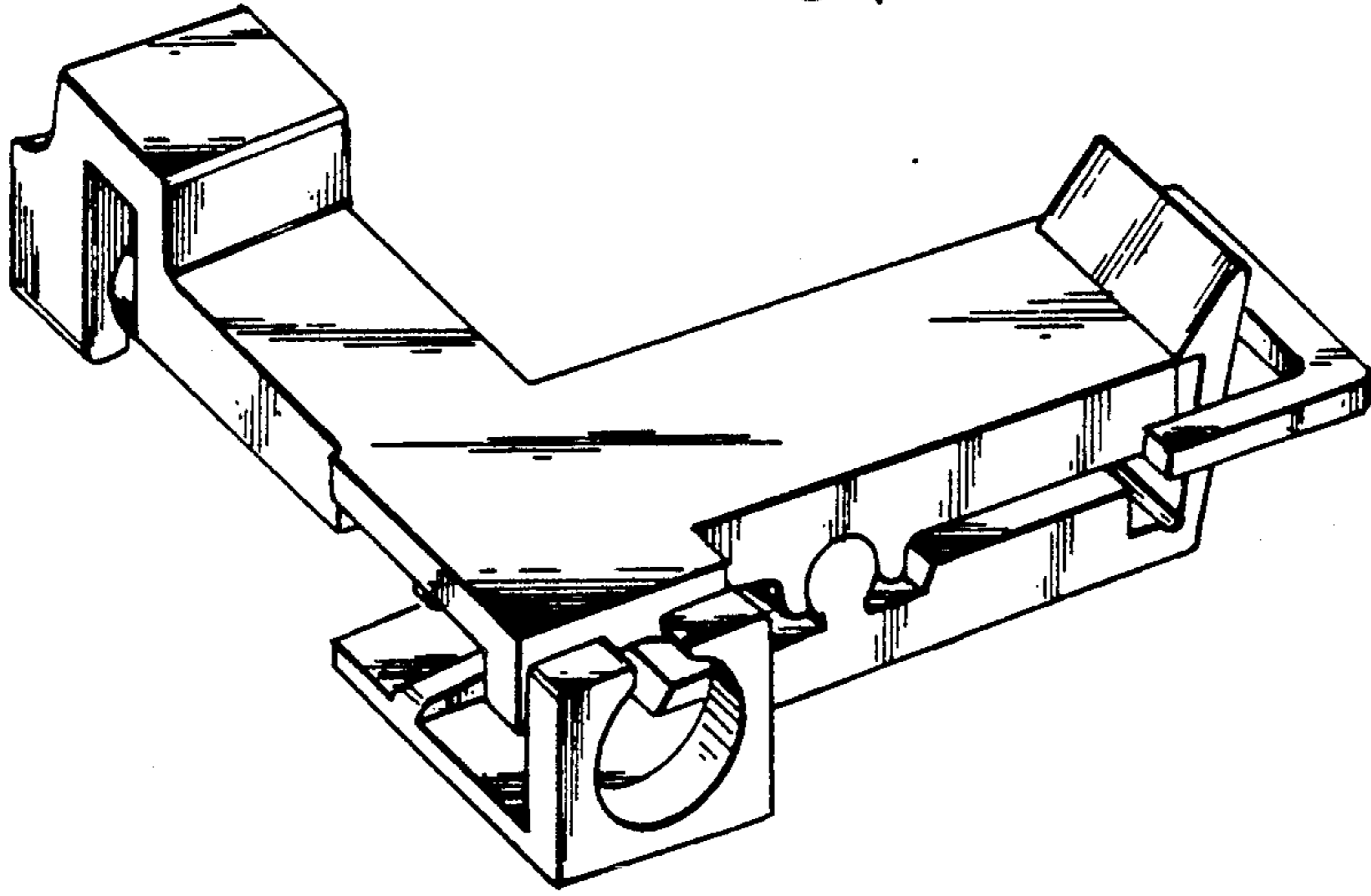


FIG. 2



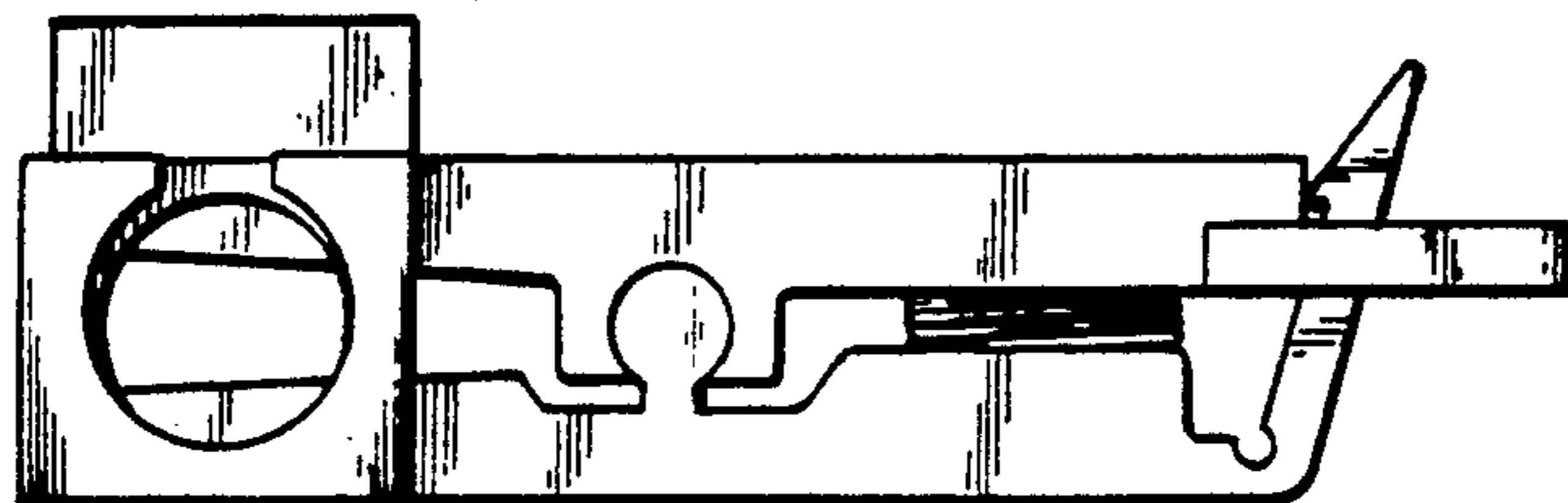


FIG. 3

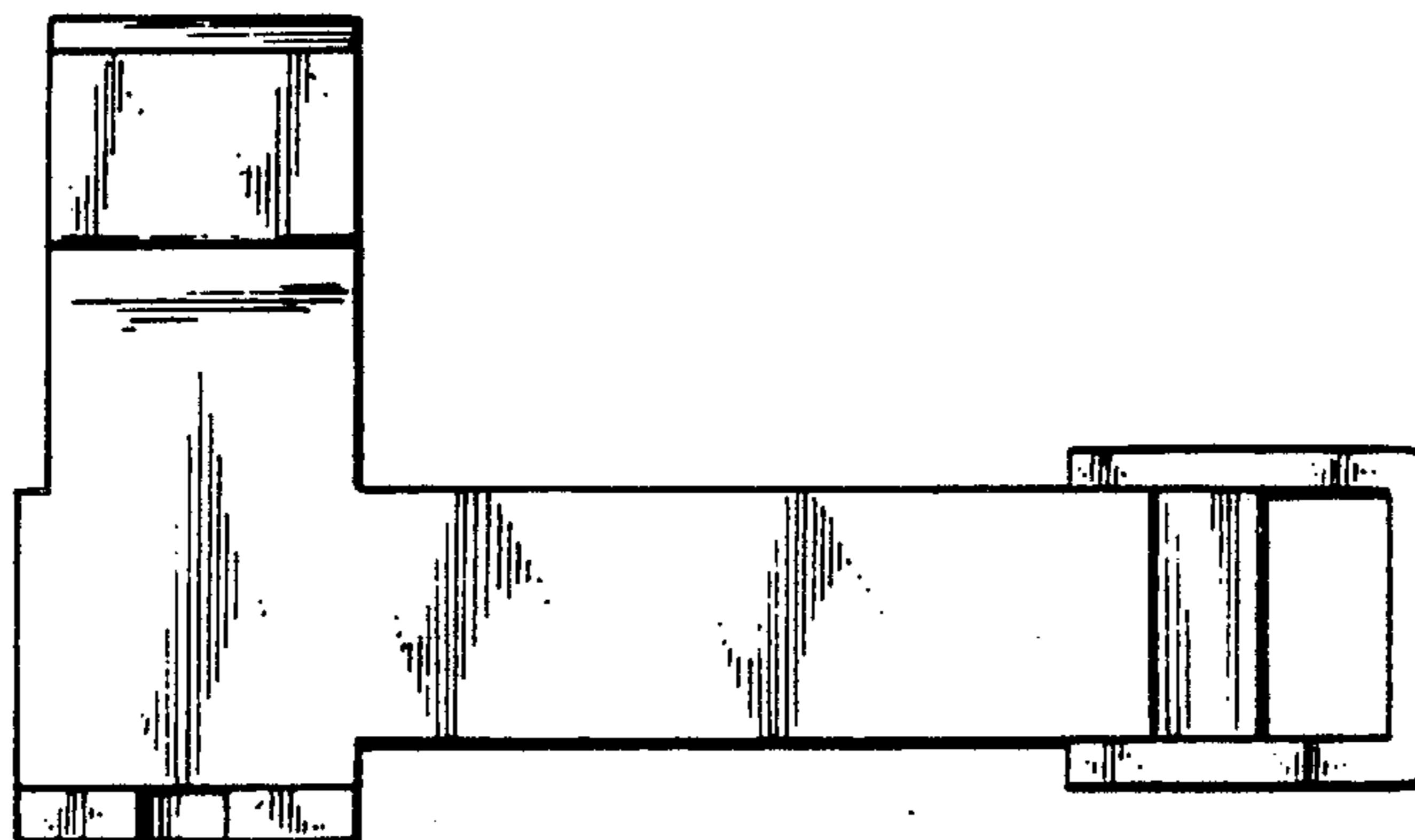


FIG. 4

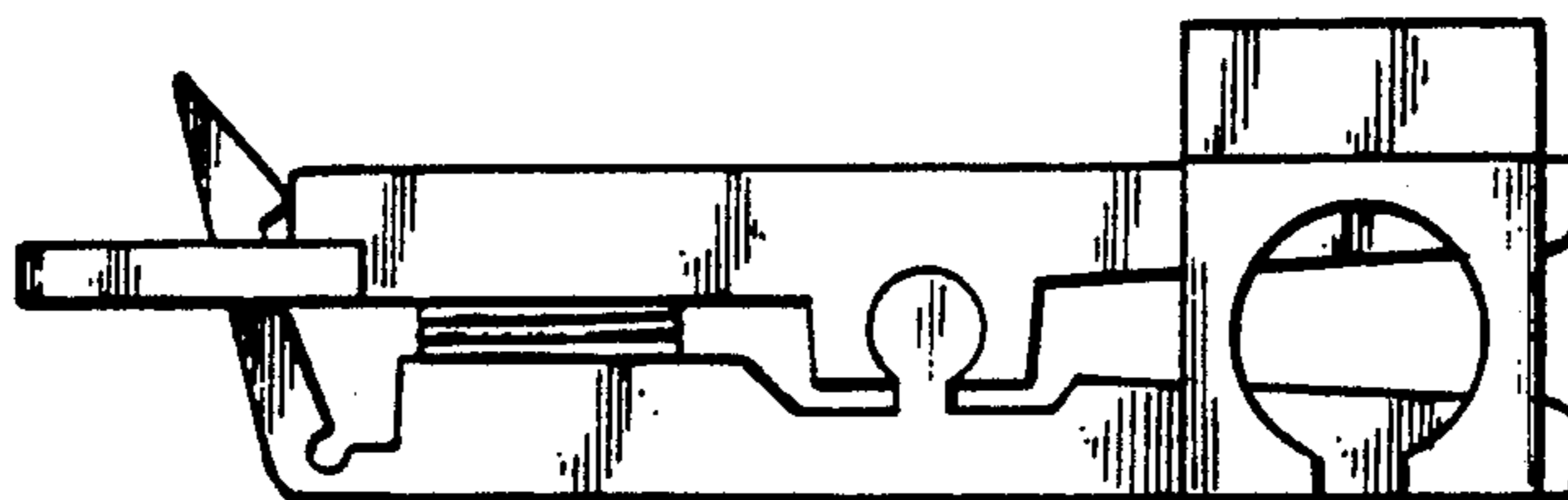


FIG. 5

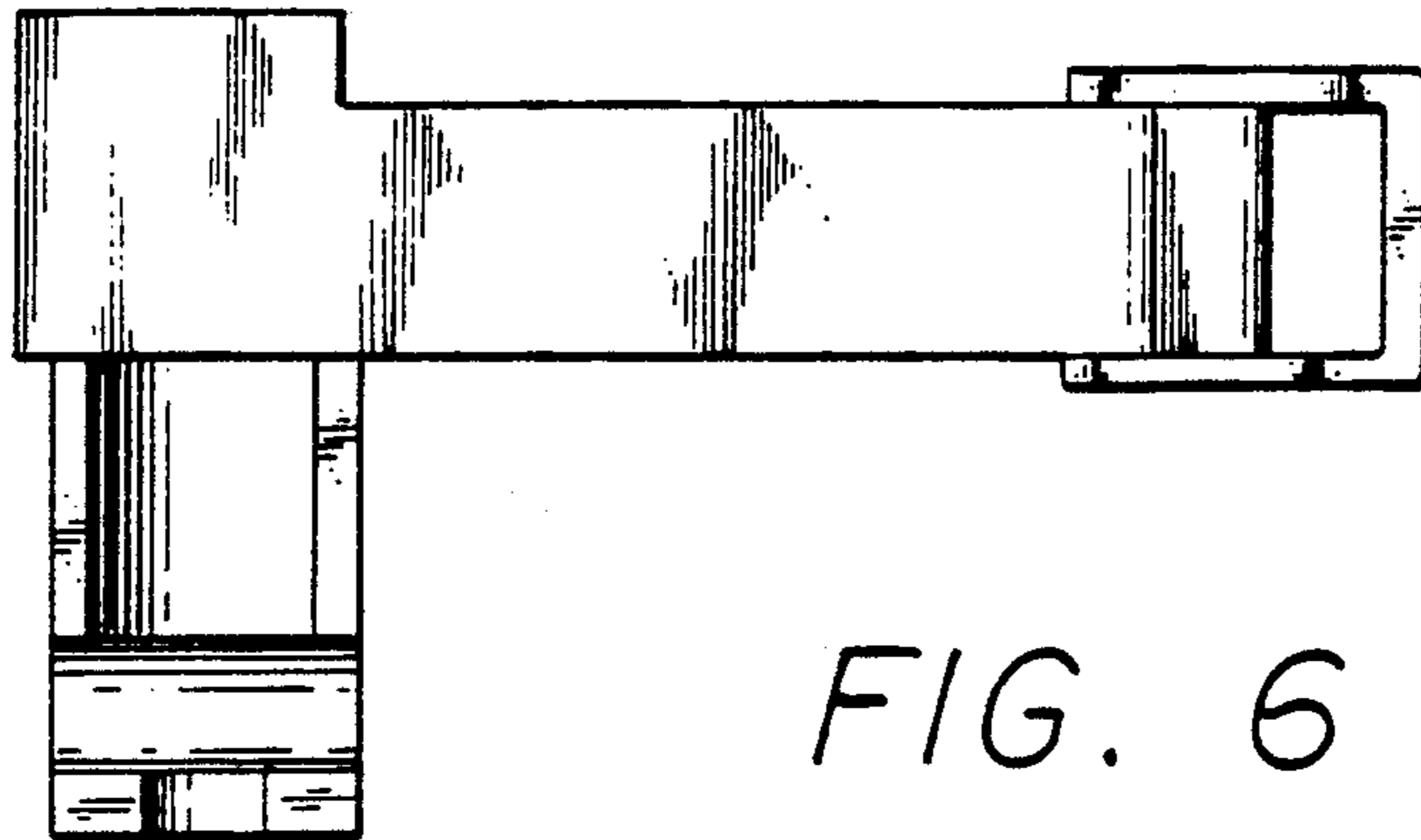


FIG. 6

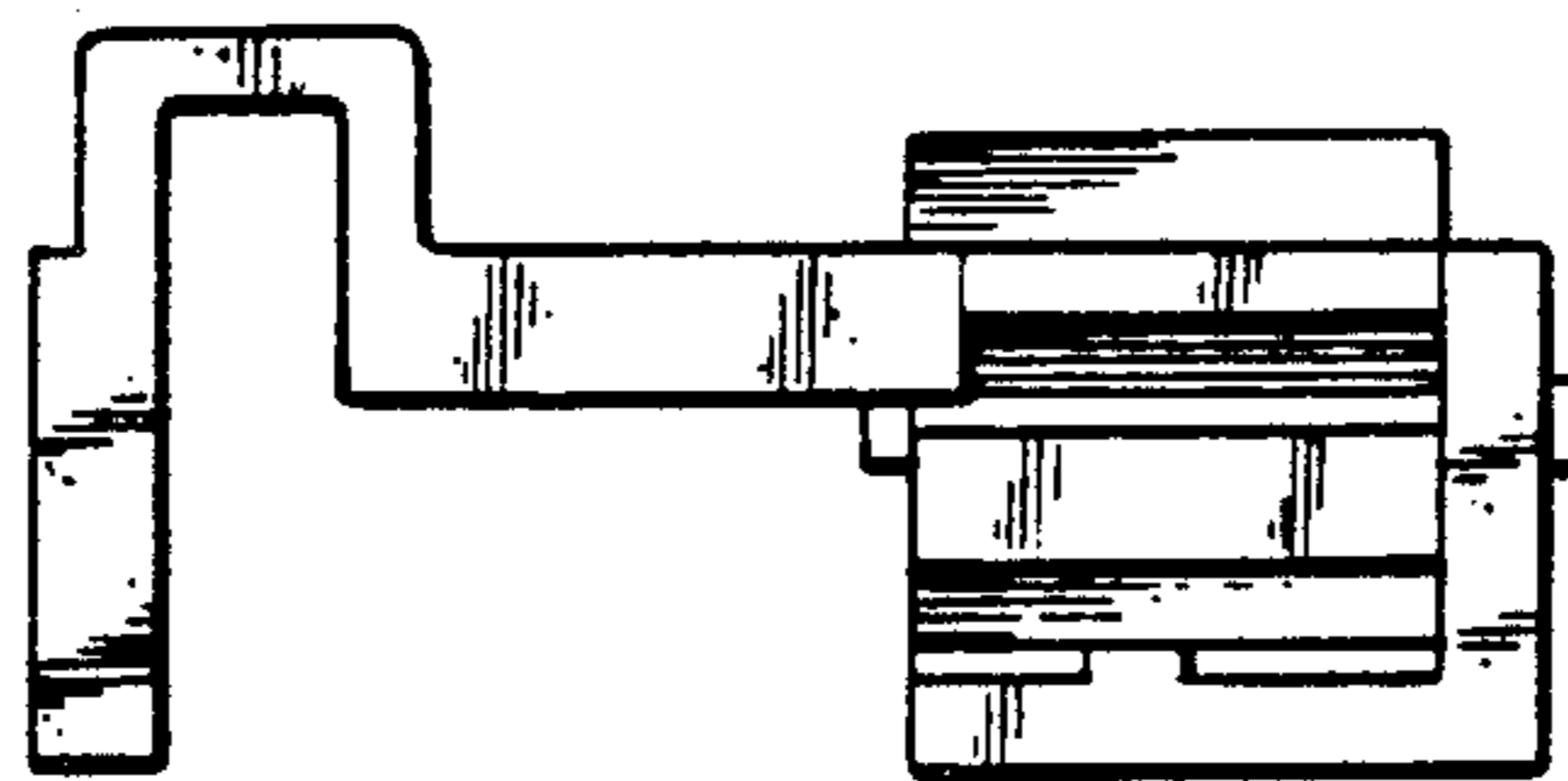


FIG. 7

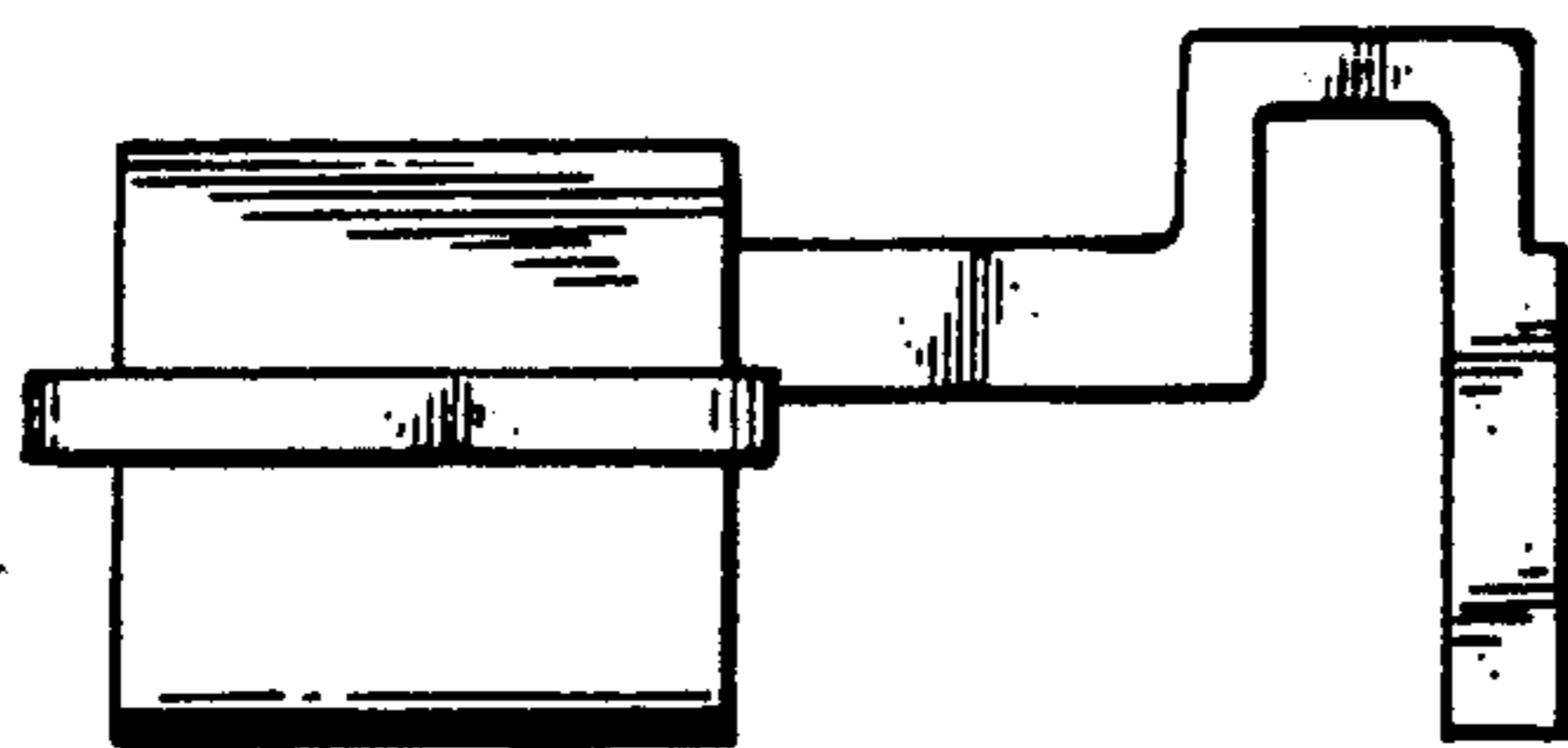


FIG. 8