



US00D325630S

United States Patent [19]

[11] Patent Number: **Des. 325,630**

Feinbloom et al.

[45] Date of Patent: **** Apr. 21, 1992**

[54] OTOSCOPE

[75] Inventors: **Richard E. Feinbloom, New York;**
Thomas W. Cetta, Elmont, both of
N.Y.

[73] Assignee: **Designs for Vision, Inc.,**
Ronkonkoma, N.Y.

[**] Term: **14 Years**

[21] Appl. No.: **465,009**

[22] Filed: **Jan. 16, 1990**

[52] U.S. Cl. **D24/137**

[58] Field of Search **D24/137, 135; 128/9,**
128/4

[56] **References Cited**

U.S. PATENT DOCUMENTS

- D. 286,814 11/1986 Brainard, II et al. D24/137
- D. 289,197 4/1987 Ware et al. D24/137

- 2,683,450 7/1954 Schenk D24/137 X
- 3,224,437 12/1965 Hardgrove 128/9
- 3,848,587 11/1974 McDonald 128/9
- 3,878,836 4/1975 Twentier 128/9

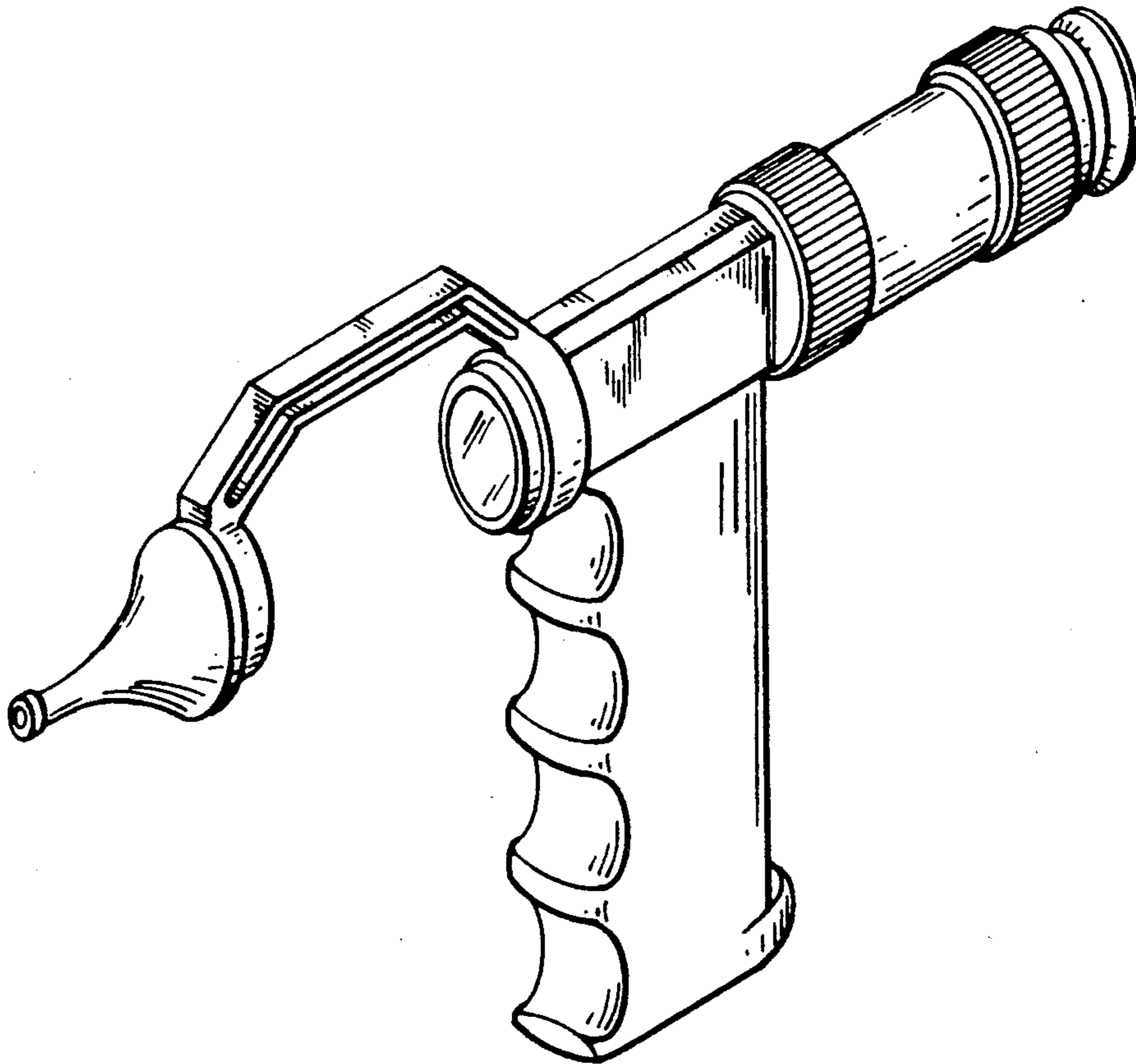
Primary Examiner—Stella Reid
Attorney, Agent, or Firm—Arthur L. Plevy

[57] **CLAIM**

The ornamental design for an otoscope, as shown and described.

DESCRIPTION

FIG. 1 is a right side elevational view of an otoscope, showing our new design;
FIG. 2 is a left side elevational view thereof;
FIG. 3 is a top plan view thereof;
FIG. 4 is a bottom plan view thereof;
FIG. 5 is a front elevational view thereof;
FIG. 6 is a rear elevational view thereof; and,
FIG. 7 is a perspective view thereof.



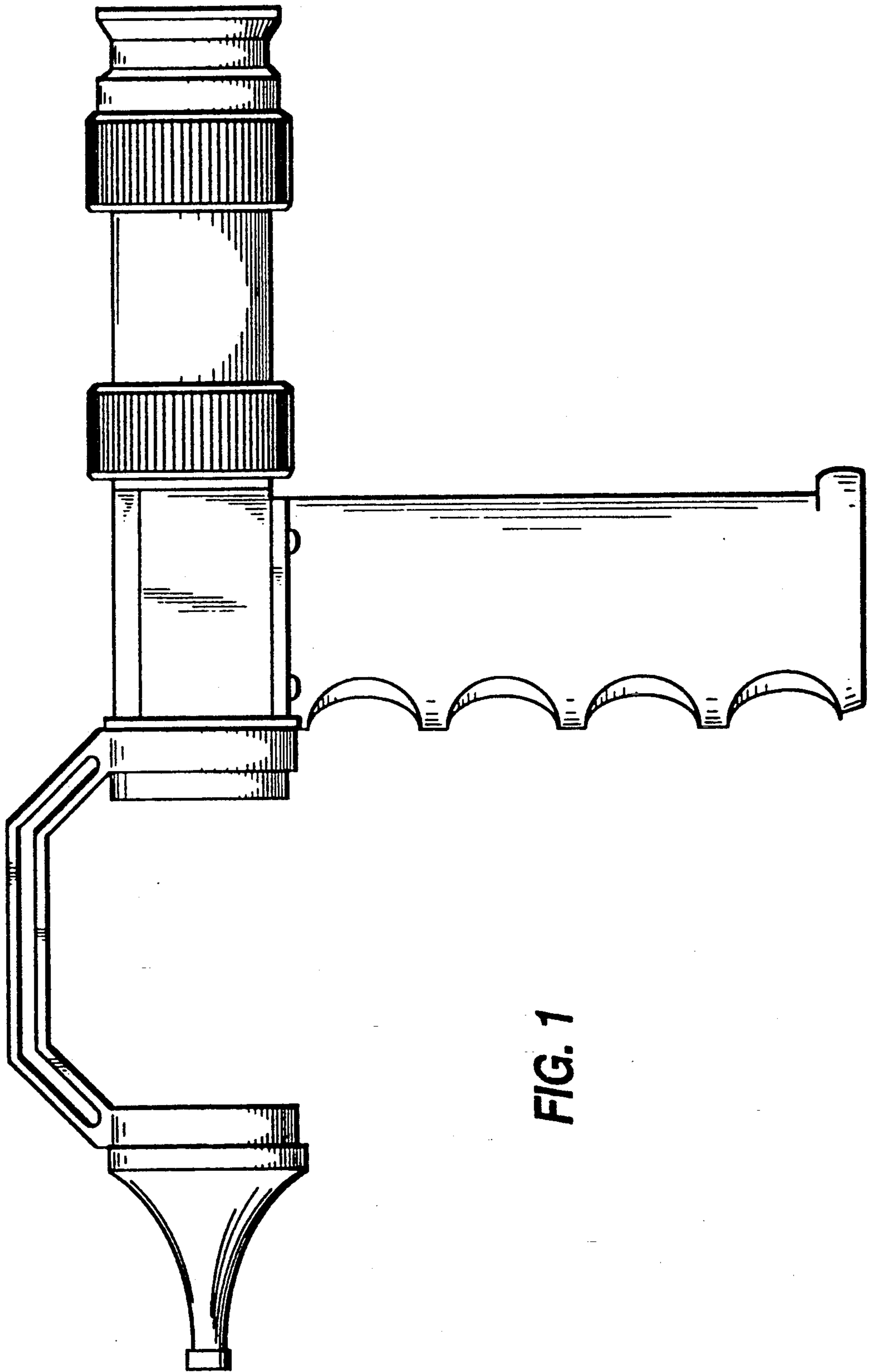


FIG. 1

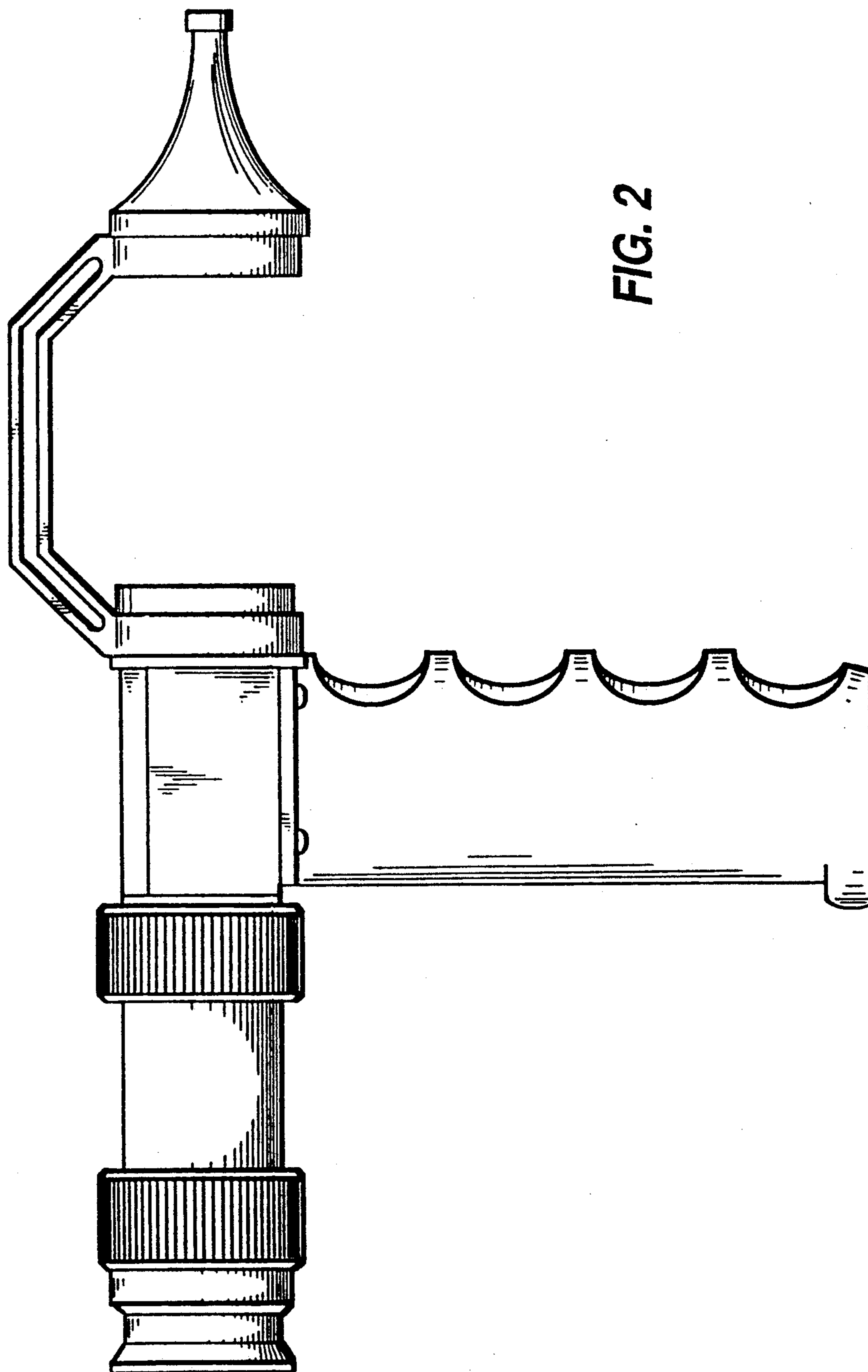


FIG. 2

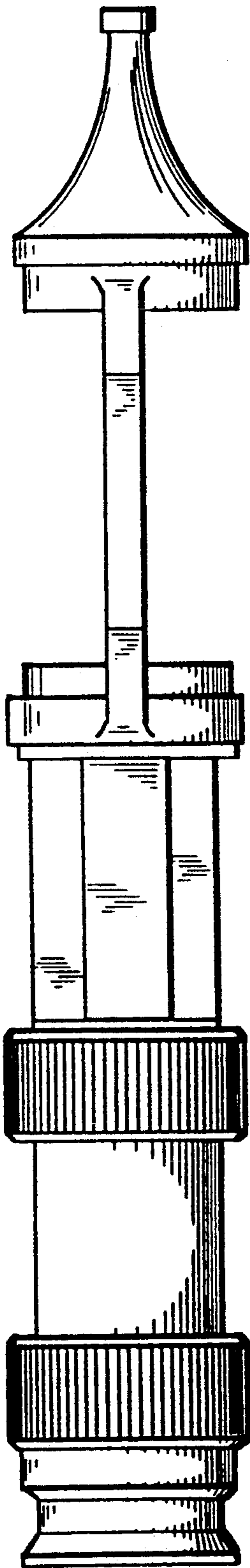


FIG. 4

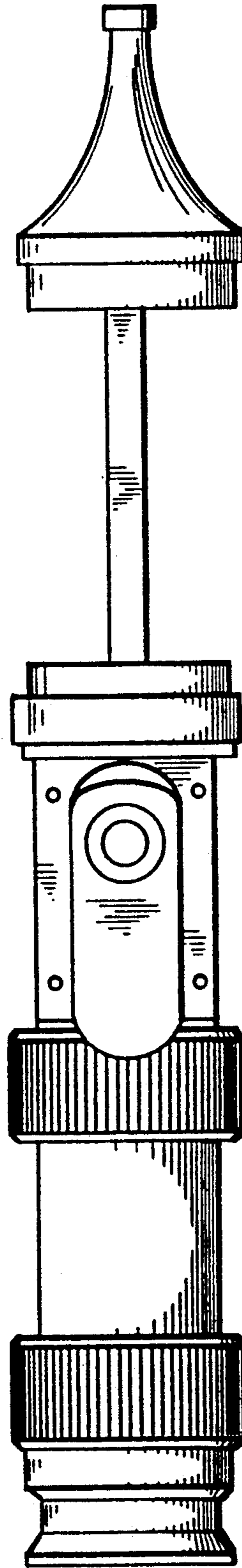


FIG. 3

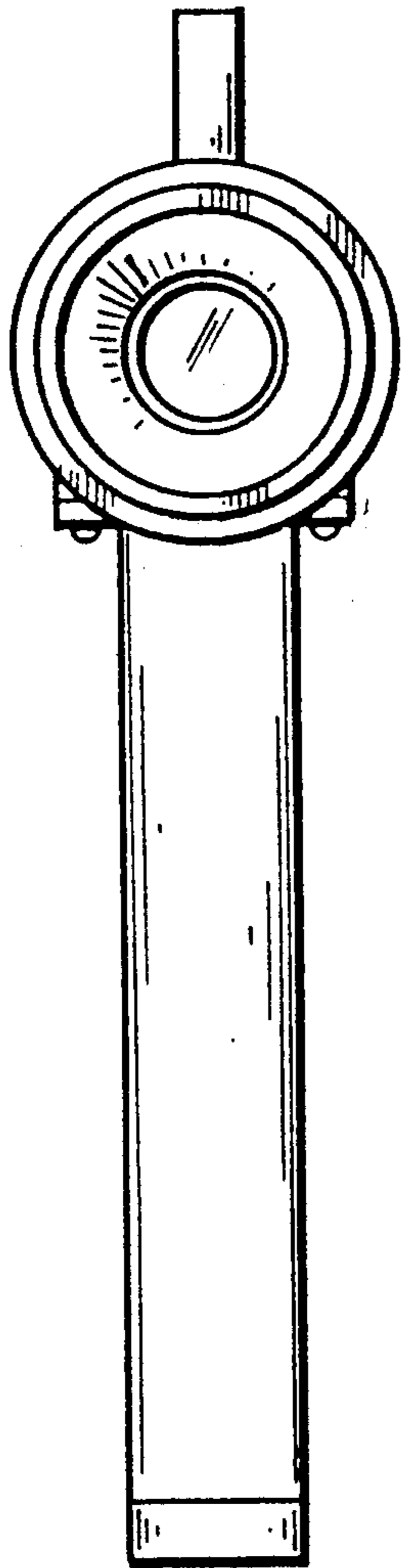


FIG. 5

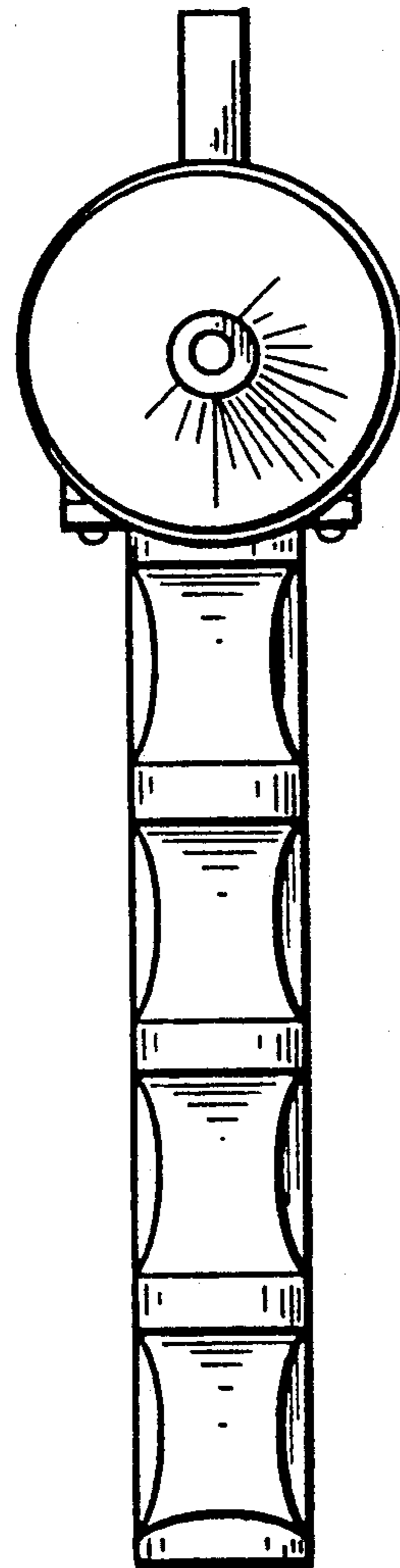


FIG. 6

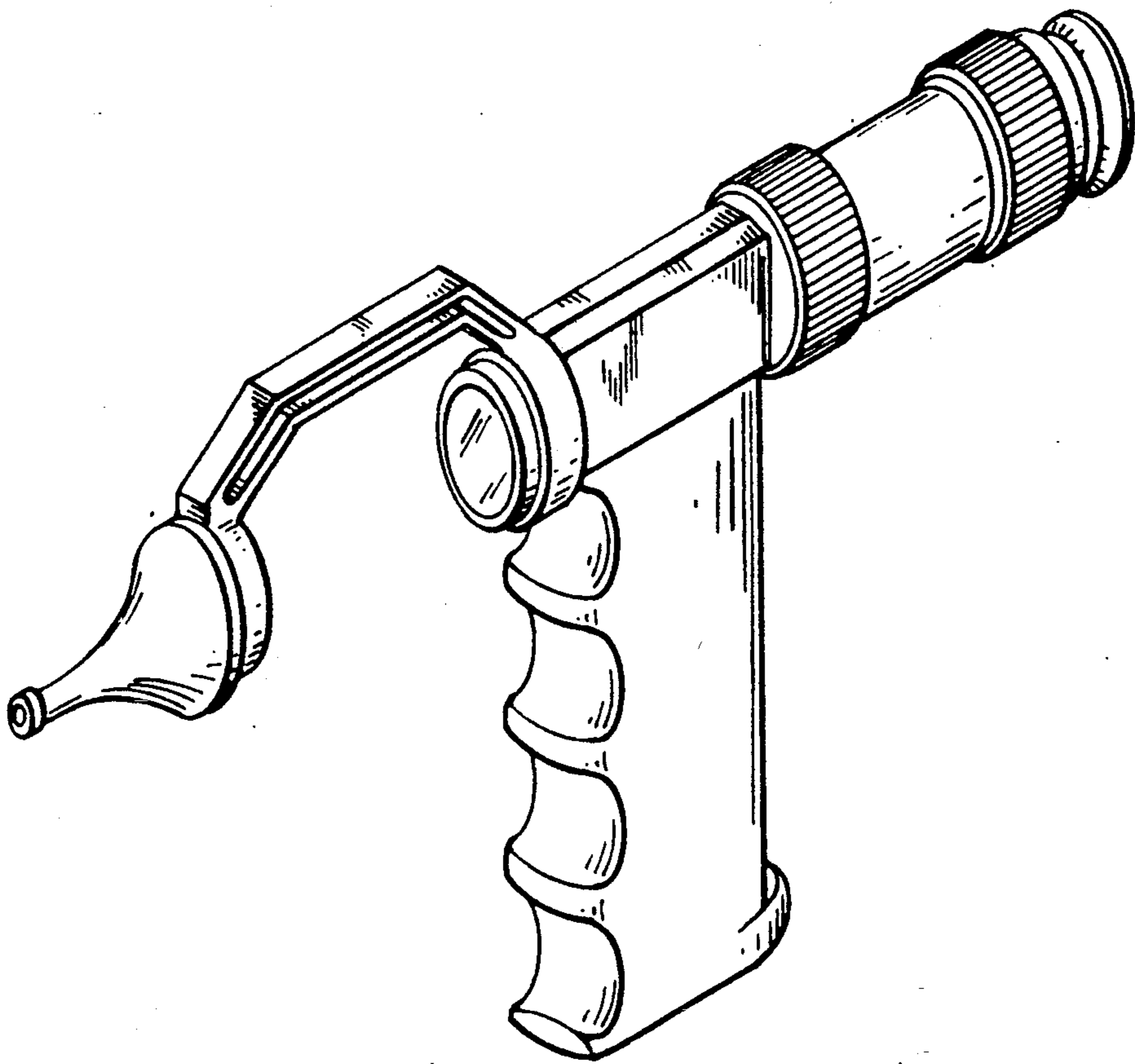


FIG. 7