



US00D325626S

# United States Patent [19]

[11] Patent Number: Des. 325,626

Ragonot

[45] Date of Patent: \*\* Apr. 21, 1992

[54] LAVATORY

[75] Inventor: Christian M. Ragonot, Paris, France

[73] Assignee: Jacob Delafon, Paris, France

[\*\*] Term: 14 Years

[21] Appl. No.: 768,484

[22] Filed: Sep. 30, 1991

### Related U.S. Application Data

[62] Division of Ser. No. 432,449, Nov. 6, 1989.

[52] U.S. Cl. .... D23/292

[58] Field of Search ..... D23/272-274,  
D23/284-294, 308; 4/619, 631, 638-642, 646,  
648, 656

### [56] References Cited

#### U.S. PATENT DOCUMENTS

D. 187,635	4/1960	Dreyfuss	.....	D23/294
D. 201,344	6/1965	Stairs	.	
D. 202,410	9/1965	Sundberg et al.	.....	D23/294
D. 255,671	5/1981	Kohler, Jr.	.....	D23/294
D. 258,079	1/1981	Primault	.....	D23/292
D. 258,906	4/1981	Doman	.....	D23/292
D. 274,164	6/1984	Enthoven	.....	D23/292
D. 293,930	1/1988	Reid	.....	D23/292

#### OTHER PUBLICATIONS

Pages 8-4 and 8-4a of the Kohler Co. K-400 catalog, Sep. 1986 revision.

Page 8-3 of the Kohler Co. K-400 catalog, Sep. 1986 revision.

A Jacob Delafon advertisement showing the "Toulonnais" sink, undated, admitted prior art.

A Franke advertisement showing the "Sunline" sink, undated, admitted prior art.

Primary Examiner—James R. Largen

Attorney, Agent, or Firm—Quarles & Brady

### [57] CLAIM

The ornamental design for a lavatory, as shown and described.

### DESCRIPTION

FIG. 1 is a perspective view taken from the top, front and right side of a lavatory showing my new design;

FIG. 2 is a top plan view thereof;

FIG. 3 is a left side elevational view thereof, the right side elevational view being the mirror image thereof;

FIG. 4 is a cross-sectional view taken on line 4-4 of FIG. 2;

FIG. 5 is a front elevational view thereof;

FIG. 6 is a perspective view taken from the top, front and right side of a second embodiment thereof;

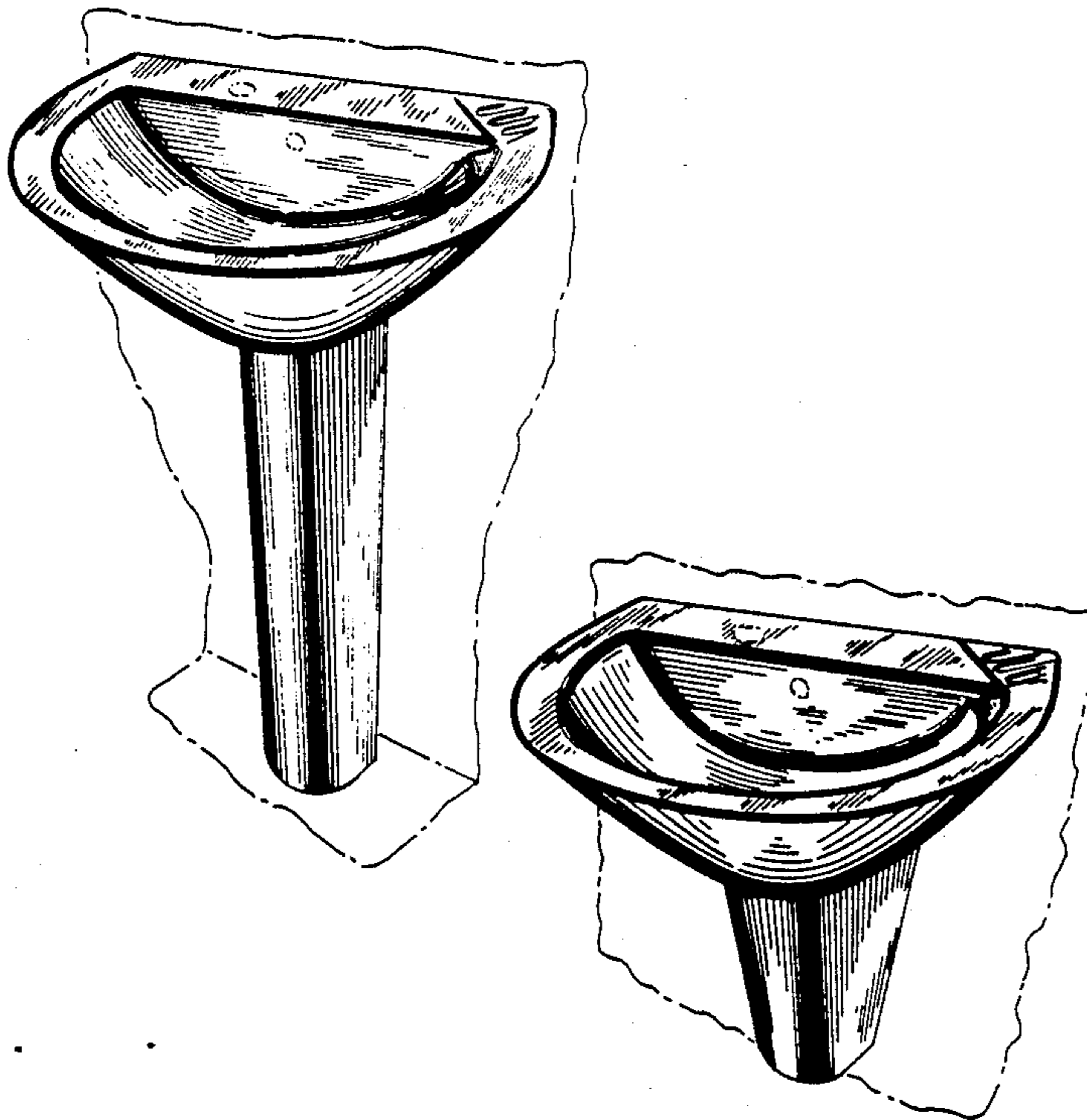
FIG. 7 is a top plan view thereof;

FIG. 8 is a left side elevational view thereof, the right side elevational view being the mirror image thereof;

FIG. 9 is a cross-sectional view taken on line 9-9 of FIG. 7; and,

FIG. 10 is a front elevational view thereof.

The fragmentary broken line representation of walls in FIGS. 1 and 6 and of holes in FIGS. 1, 2, 6 and 7 are for purposes of illustration only and form no part of the claimed design.



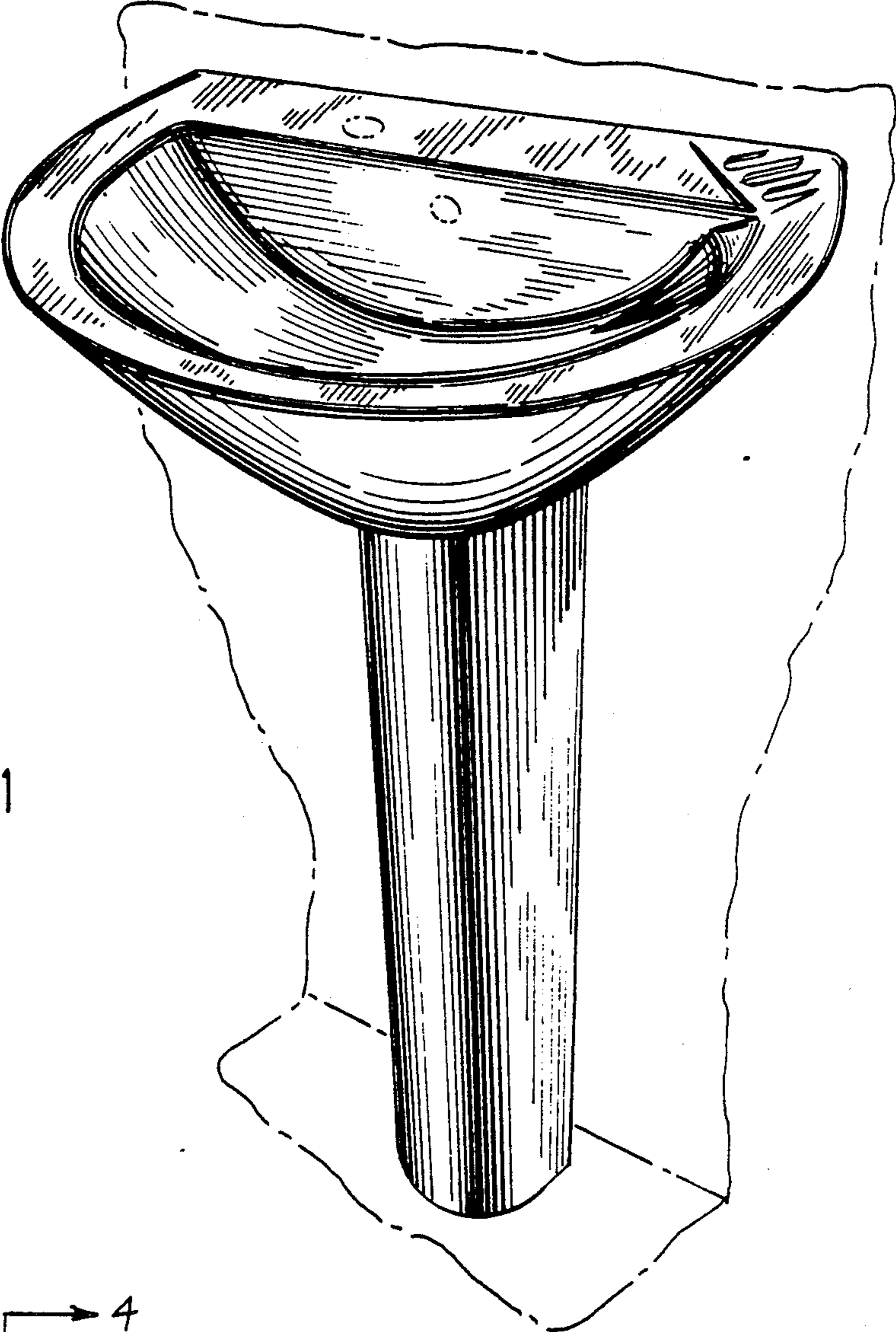


FIG. 1

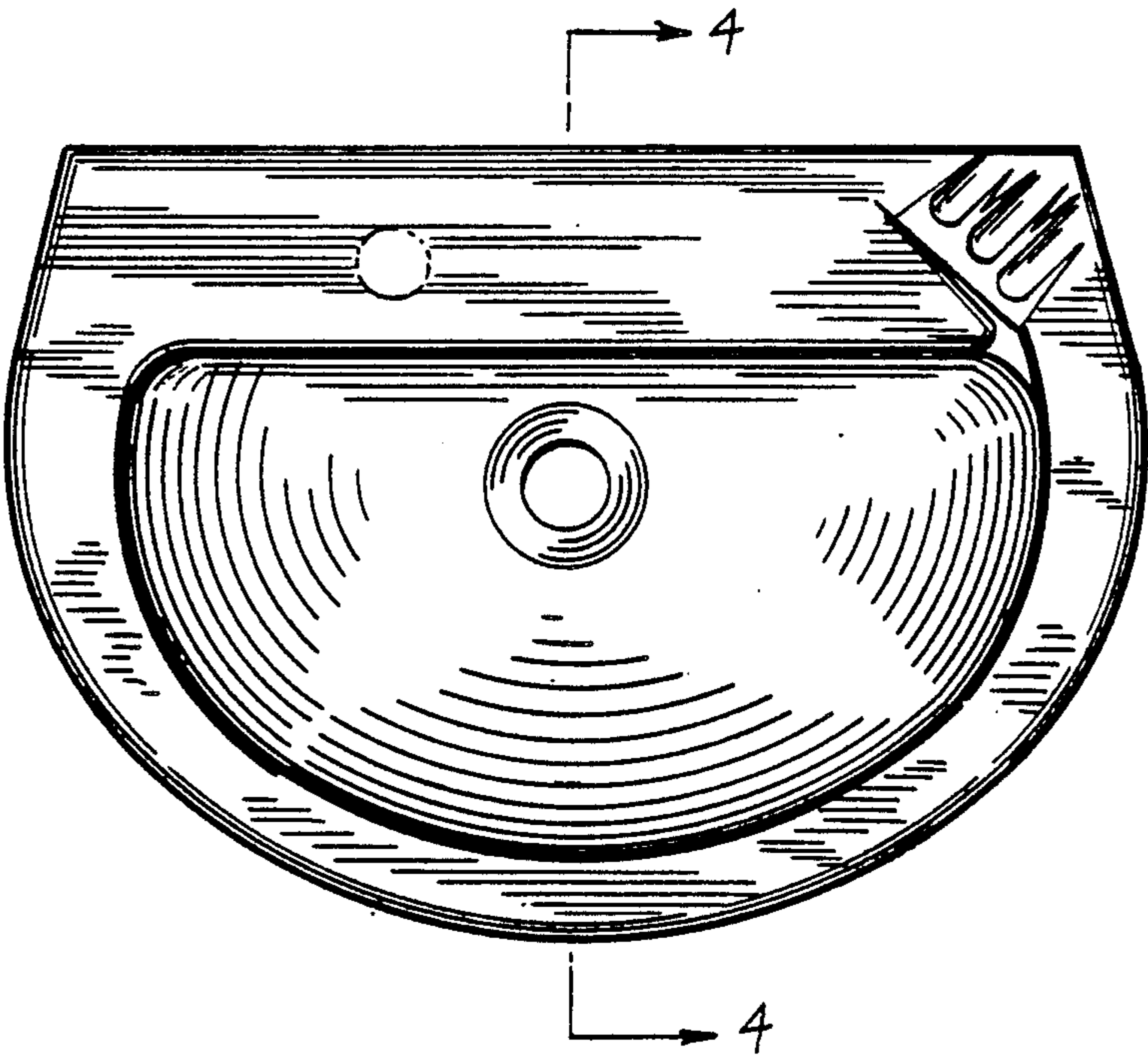


FIG. 2

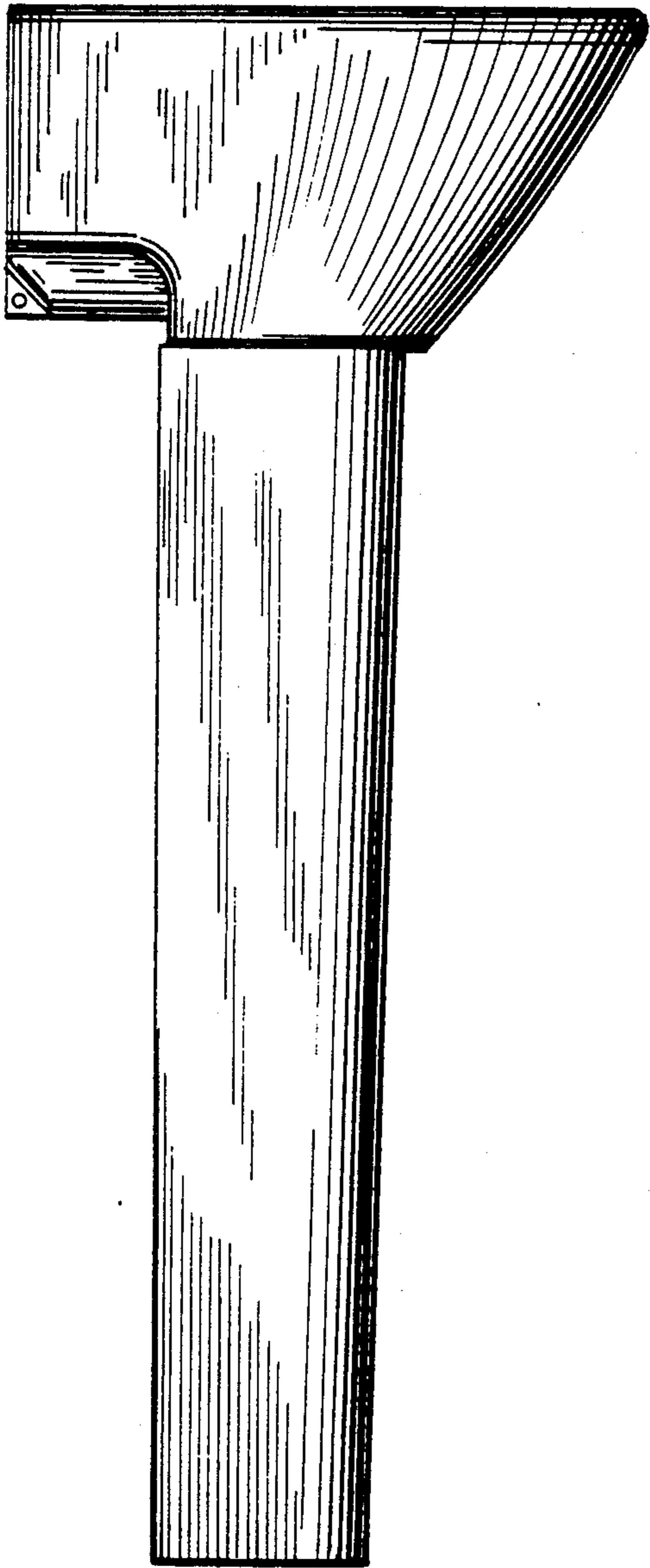


FIG. 3

FIG. 4

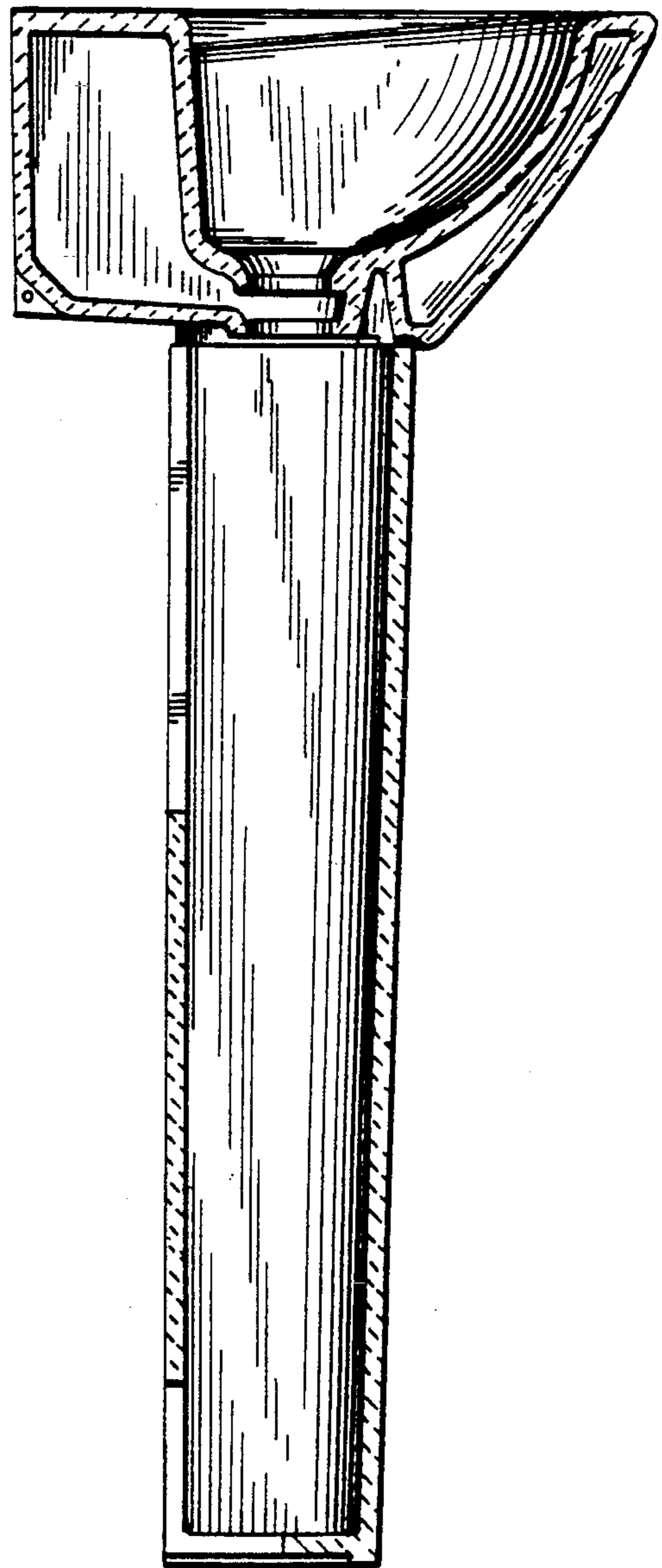
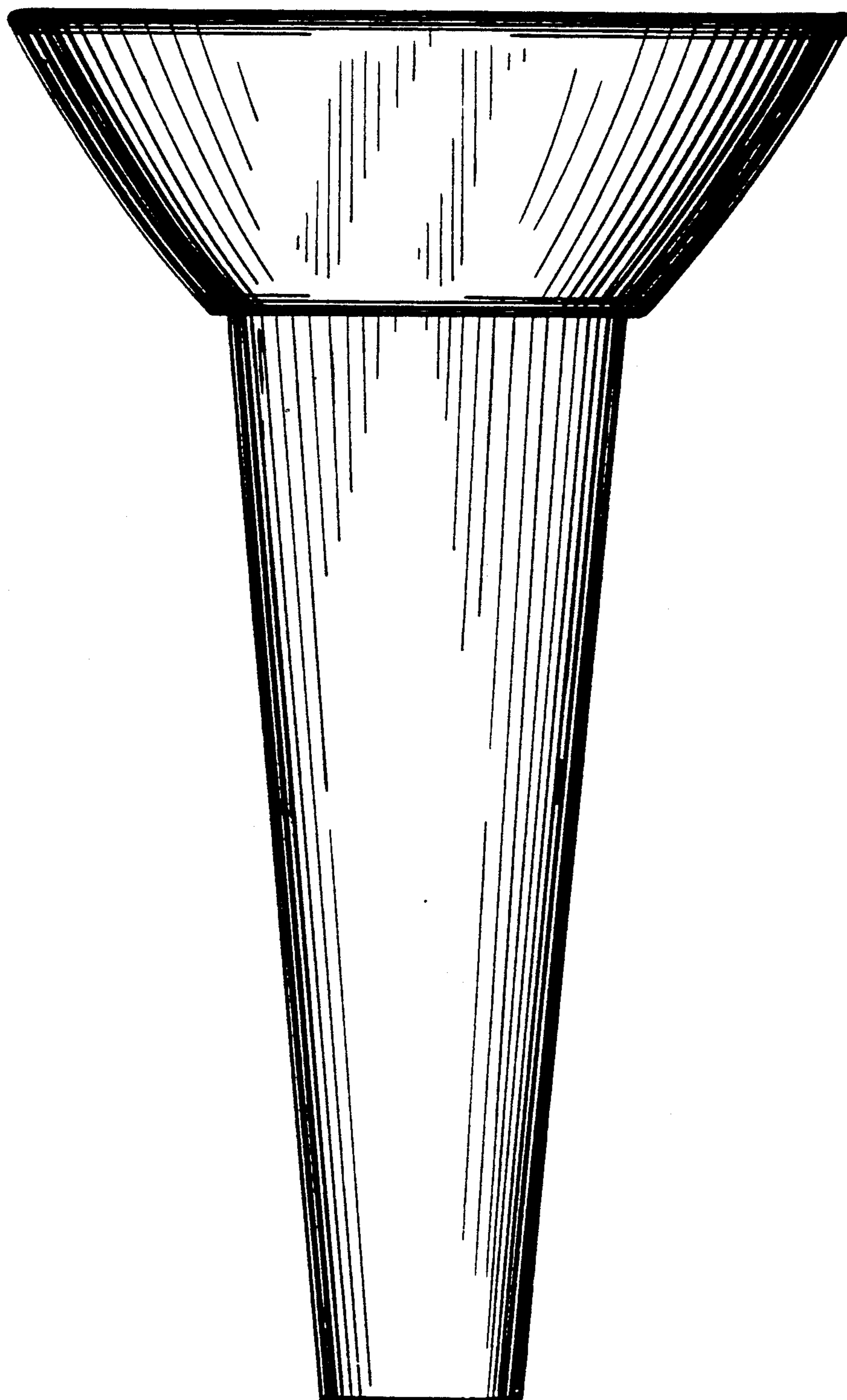




FIG. 5



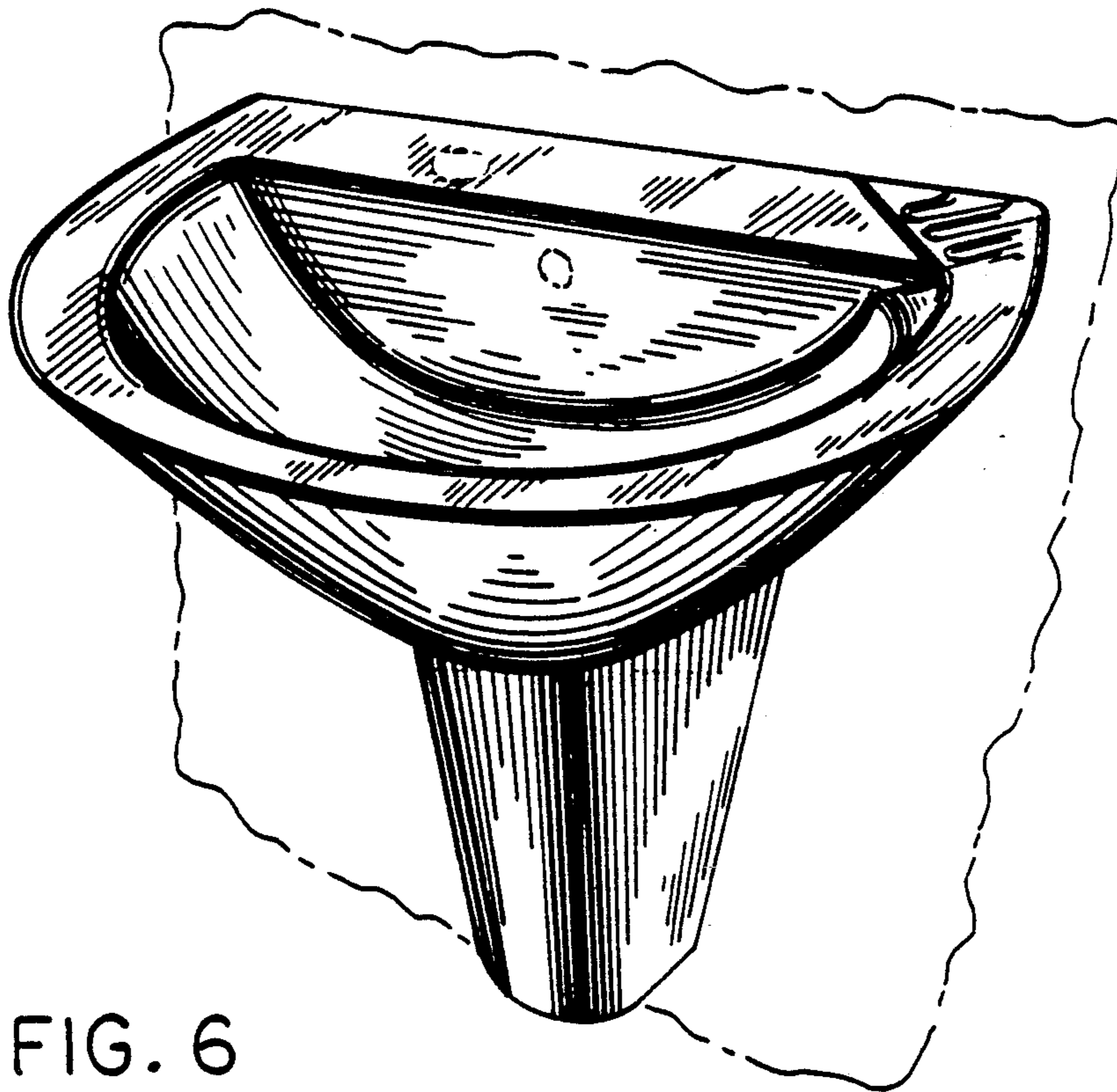


FIG. 6

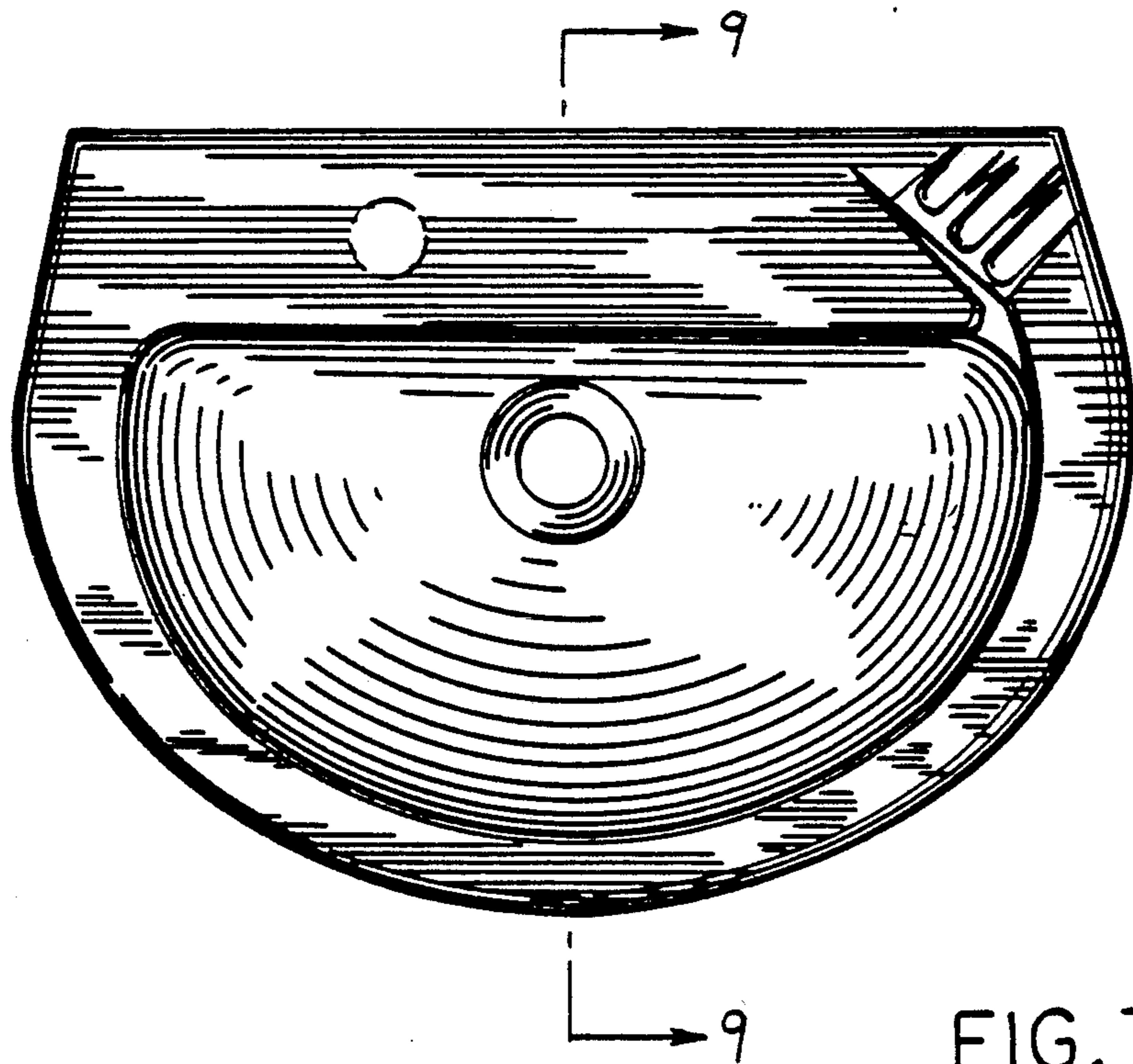


FIG. 7

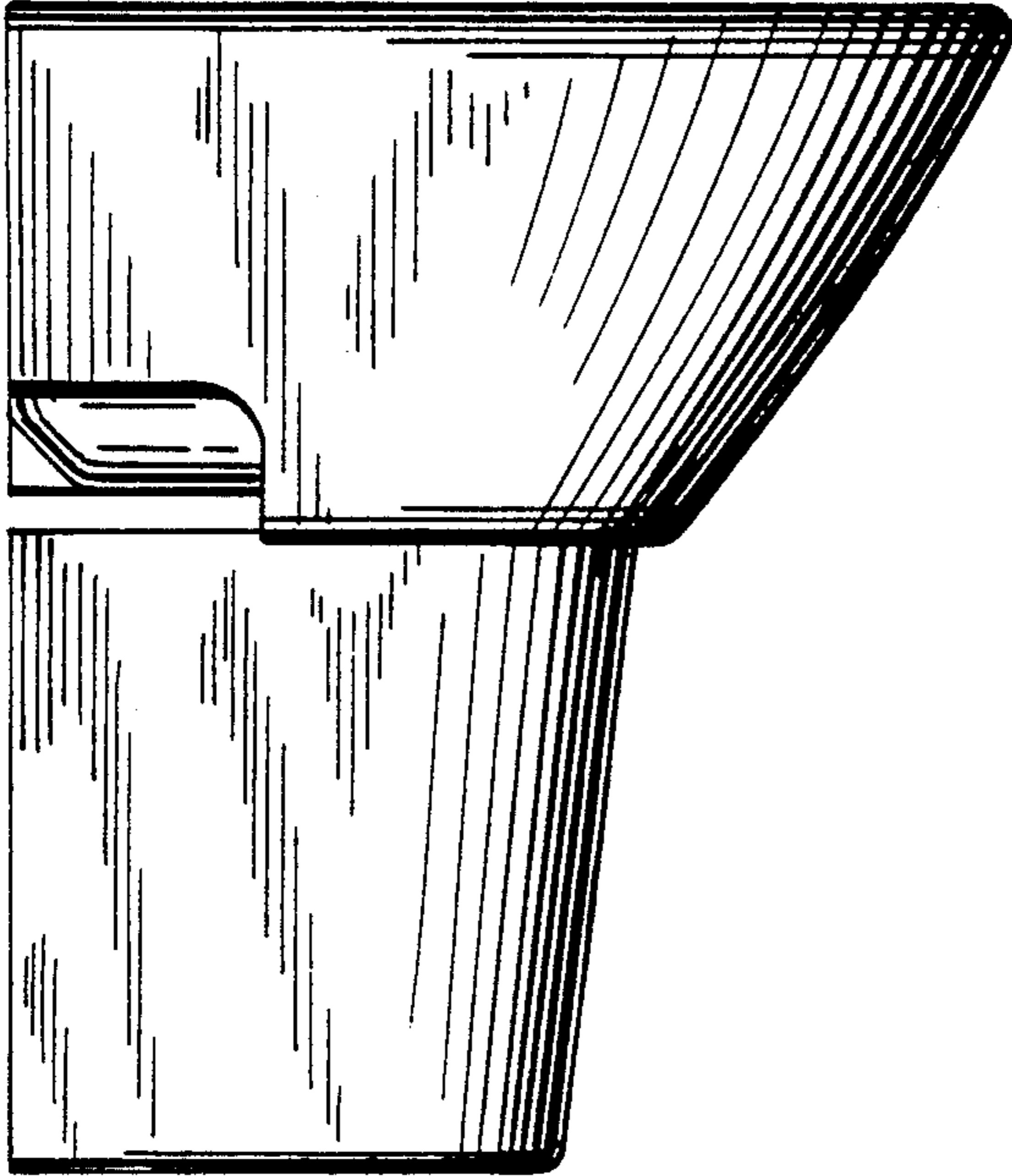


FIG. 8

FIG. 9

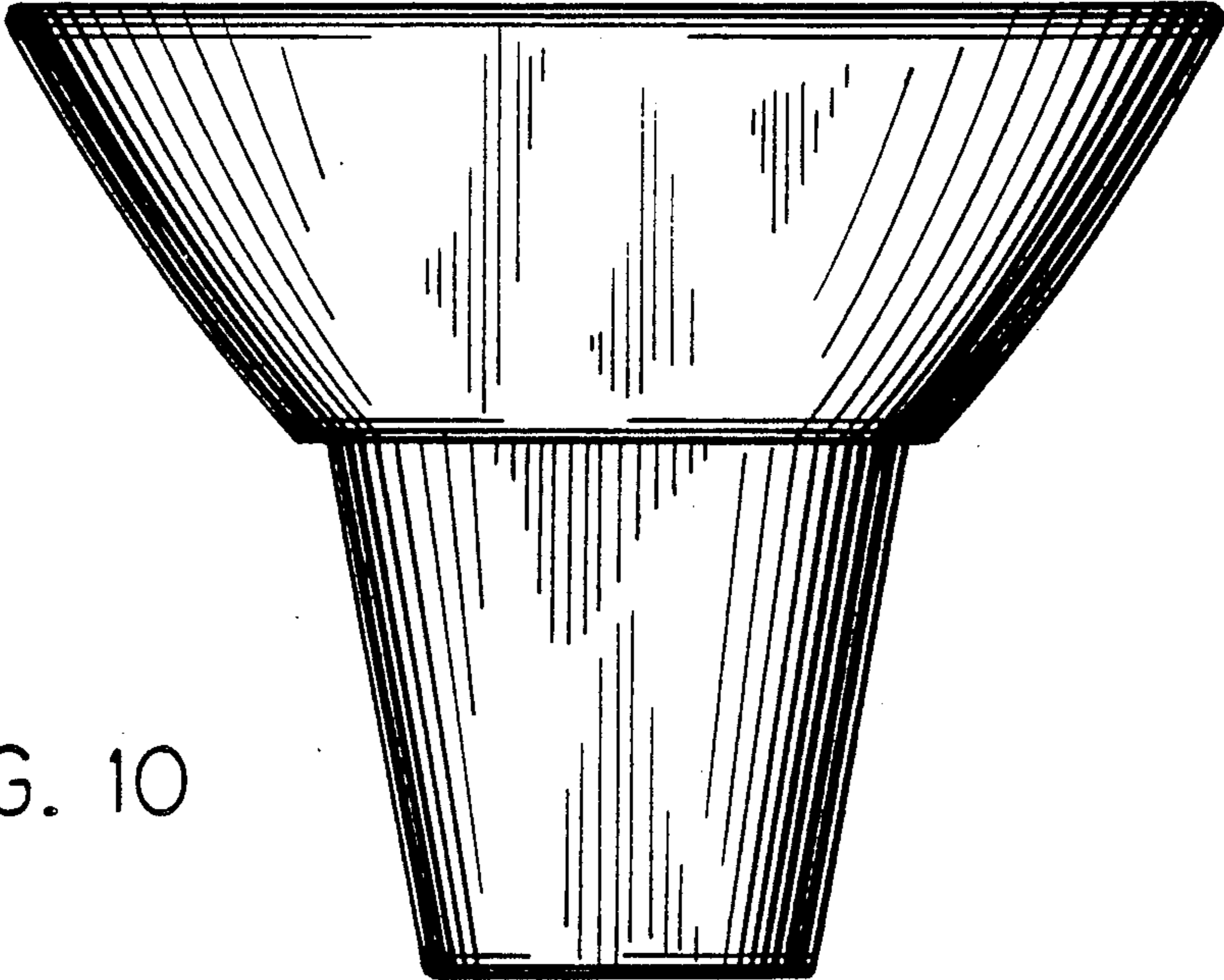
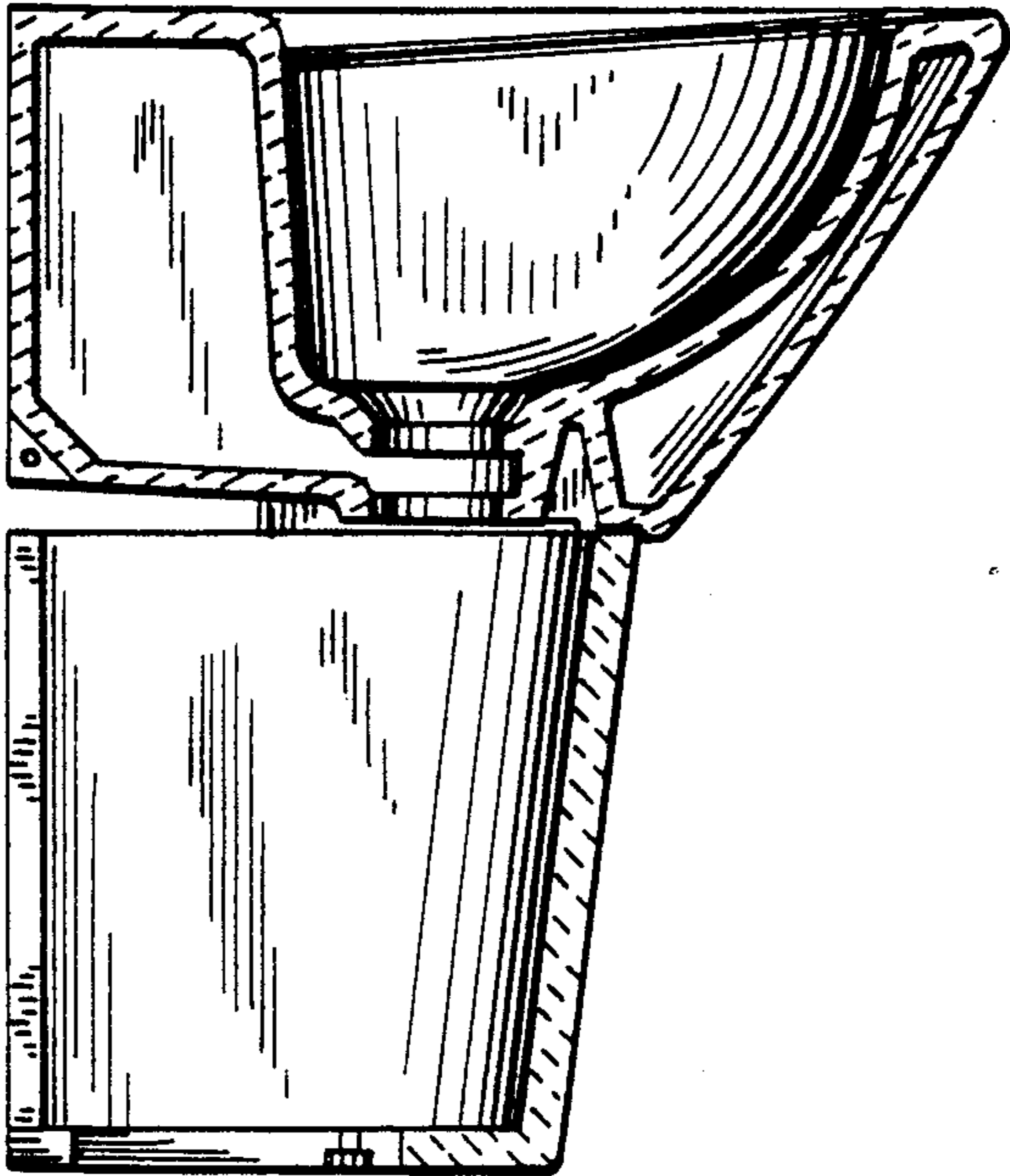


FIG. 10

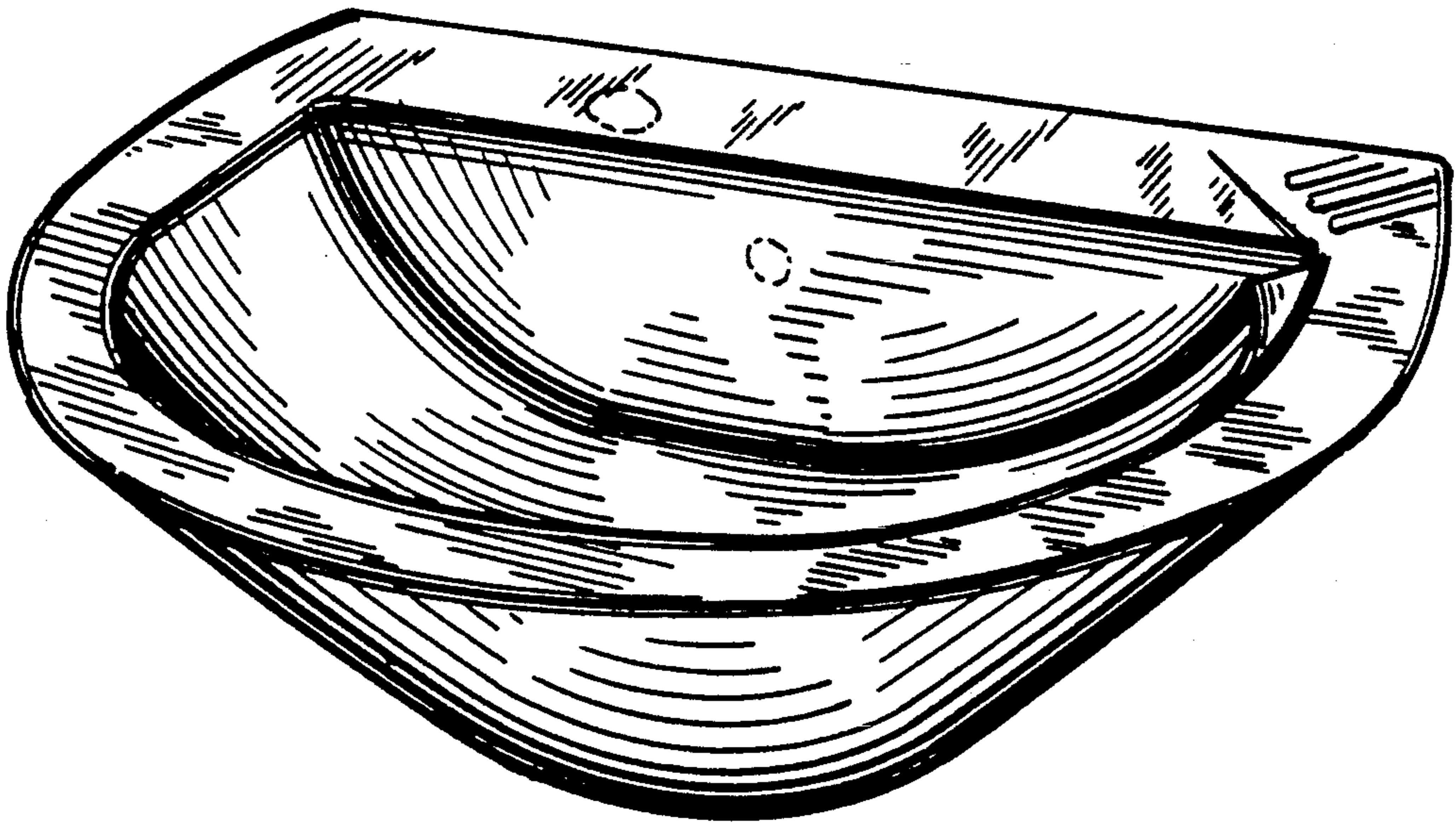


FIG. 11