



US00D325623S

United States Patent [19]

[11] Patent Number: Des. 325,623

Lenahan

[45] Date of Patent: ** Apr. 21, 1992

[54] COMBINED BATHTUB AND SHOWER UNIT

[75] Inventor: Scott Lenahan, Castaic, Calif.

[73] Assignee: Gruber Systems, Inc., Valencia, Calif.

[**] Term: 14 Years

[21] Appl. No.: 555,741

[22] Filed: Jul. 18, 1990

[52] U.S. Cl. D23/275

[58] Field of Search D23/275, 277-283,
D23/303-307; D24/204, 205; 4/538, 555, 556,
571, 573-579, 584, 589, 590, 592, 593

[56] References Cited

U.S. PATENT DOCUMENTS

D. 97,729	12/1935	Davock	D23/277
D. 237,183	10/1975	Bonsack	D23/281
D. 243,691	3/1977	Gruber	D23/277
D. 276,362	11/1984	Griffiths	D23/281
D. 319,093	8/1991	Dannenberg et al.	D23/275
D. 320,435	10/1991	Dannenberg et al.	D23/275
1,844,988	2/1932	Steinkamp	4/590
1,940,514	12/1933	Steinkamp	4/590
2,198,605	4/1940	Faber	4/546 X
3,955,219	5/1976	Finch et al.	4/552
4,928,329	5/1990	Palmeri	4/584 X

Primary Examiner—James R. Largen
Attorney, Agent, or Firm—Poms, Smith, Lande & Rose

[57] CLAIM

The ornamental design for a combined bathtub and shower unit, as shown and described.

DESCRIPTION

FIG. 1 is a top, front and right side perspective view of a combined bathtub and shower unit showing my new design;

FIG. 2 is a top plan view thereof;

FIG. 3 is a front elevational view thereof;

FIG. 4 is a right side elevational view thereof;

FIG. 5 is a rear elevational view thereof;

FIG. 6 is a left side elevational view thereof;

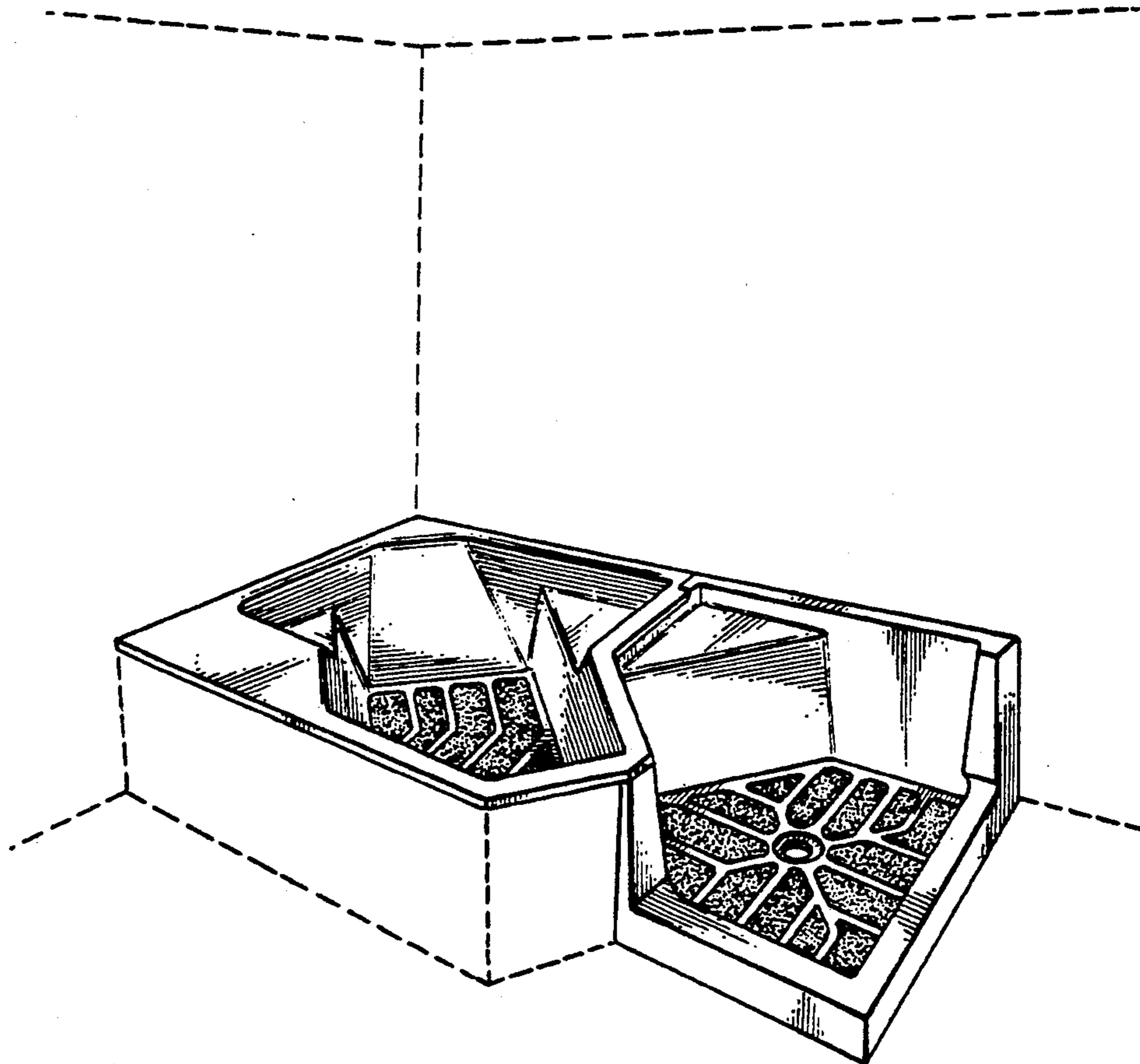
FIG. 7 is a bottom plan view thereof;

FIG. 8 is a cross sectional view taken on line 8—8 of FIG. 2;

FIG. 9 is a cross sectional view taken on line 9—9 of FIG. 2; and,

FIG. 10 is a cross sectional view taken on line 10—10 of FIG. 2.

The broken line represent of a bathtub skirt and the fragmentary broken line showing of a bathroom in FIG. 1 is for purposes of illustration only and form no part of the claimed design.



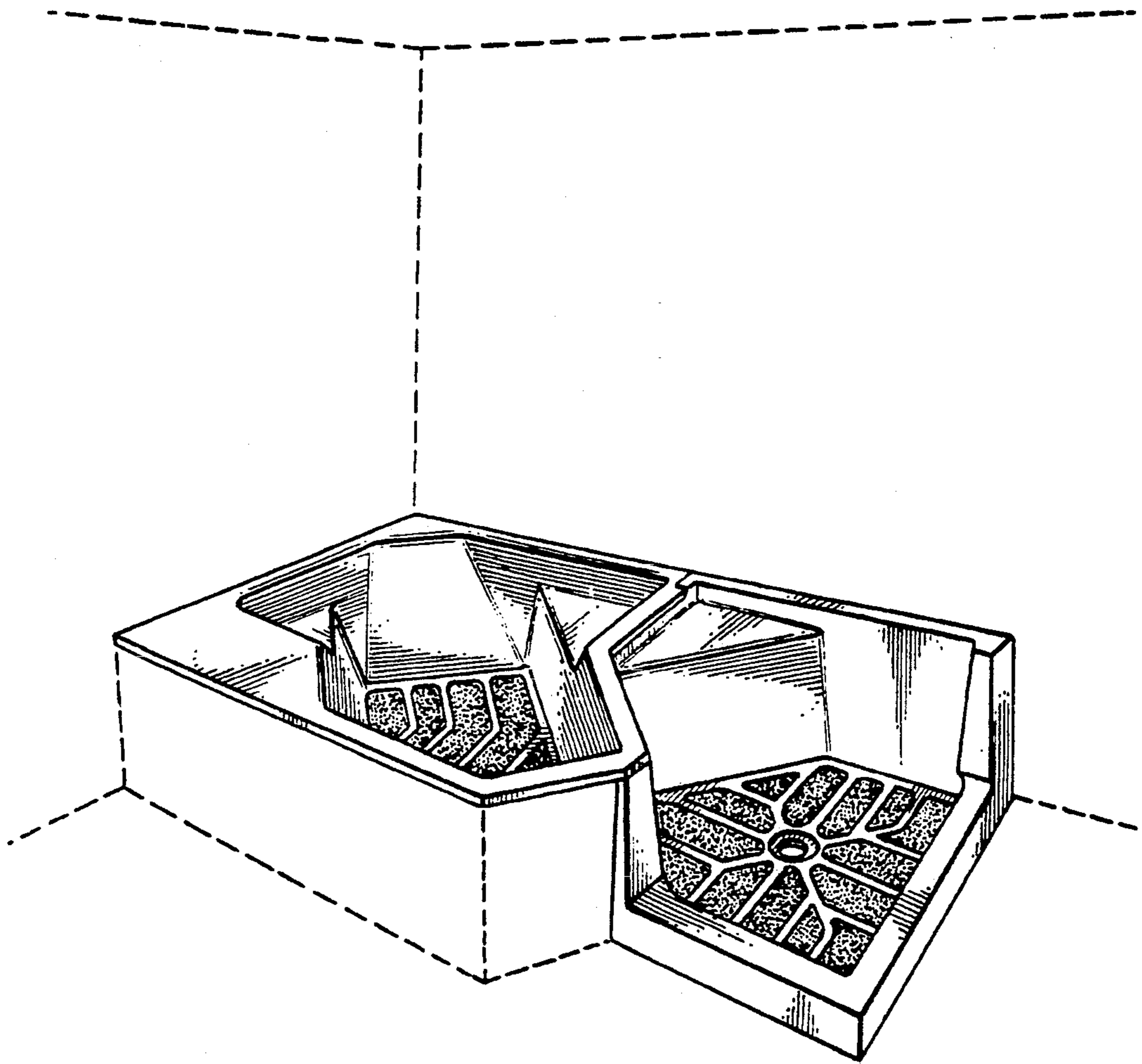


Fig. 1.

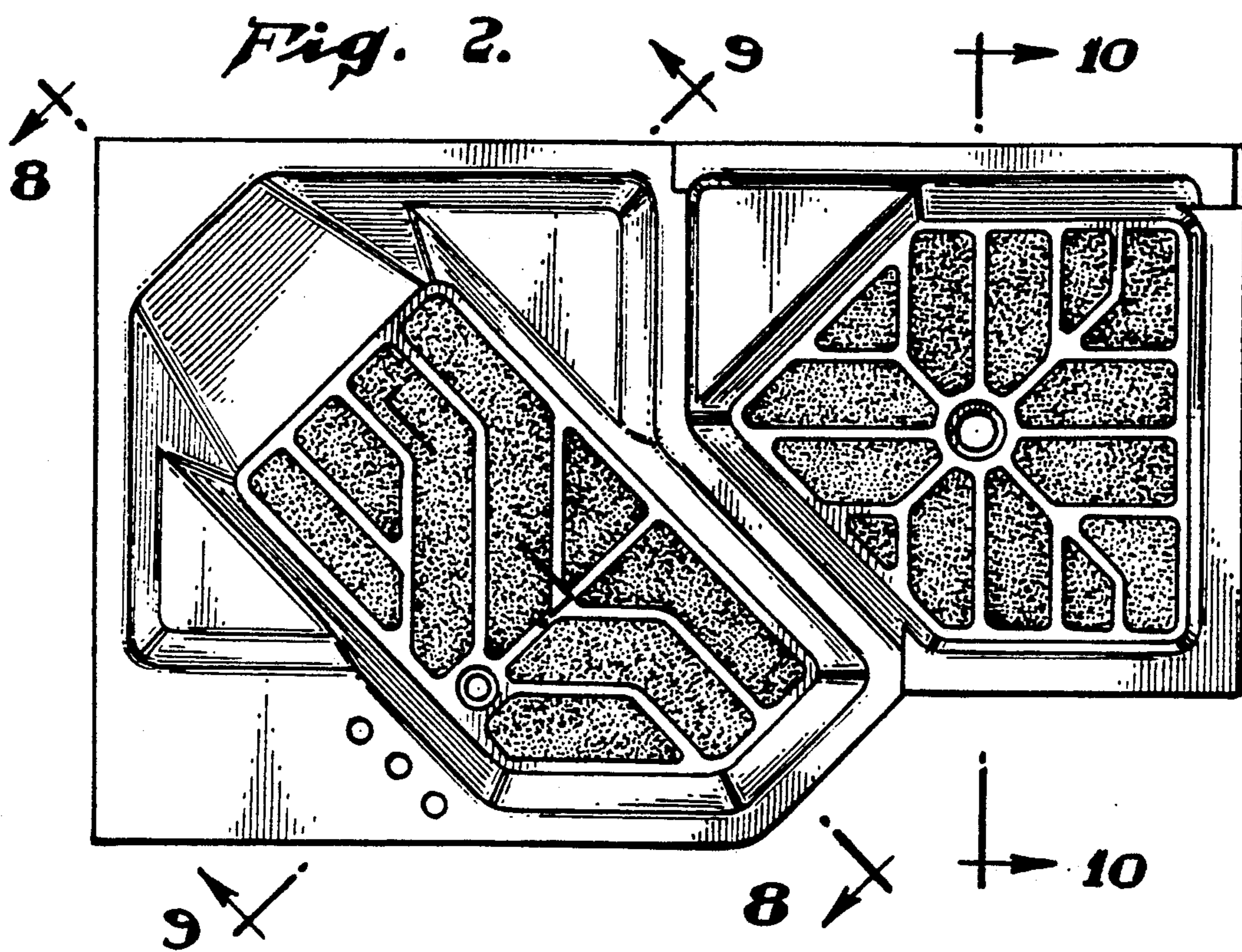


Fig. 3.

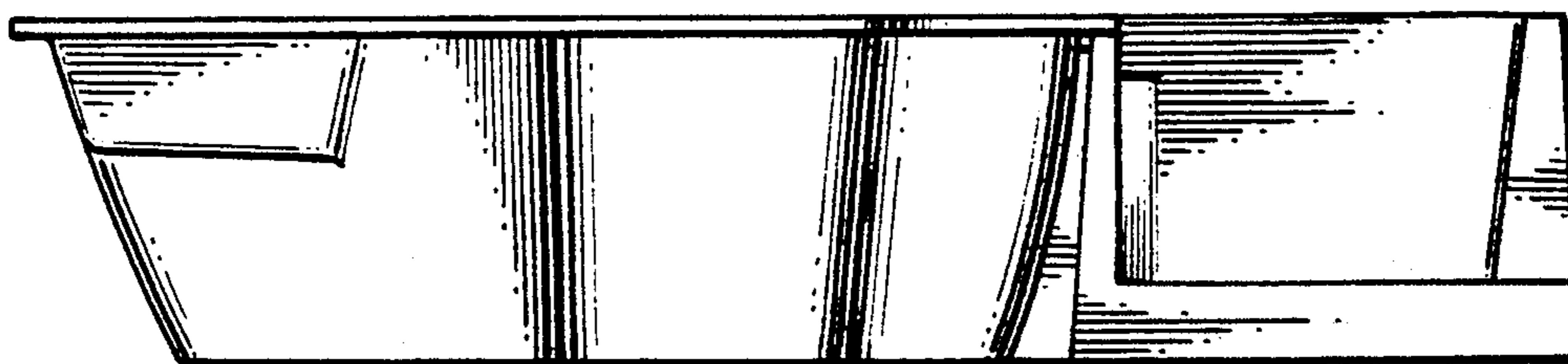


Fig. 4.

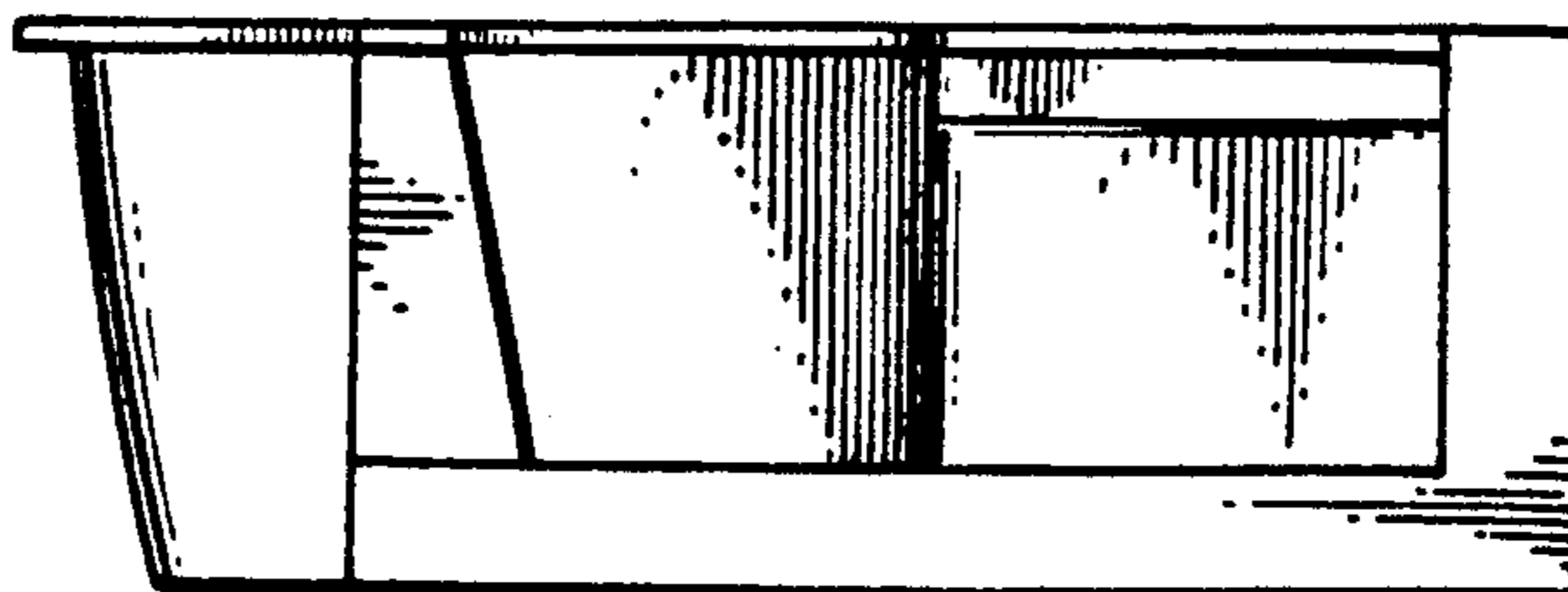


Fig. 5.

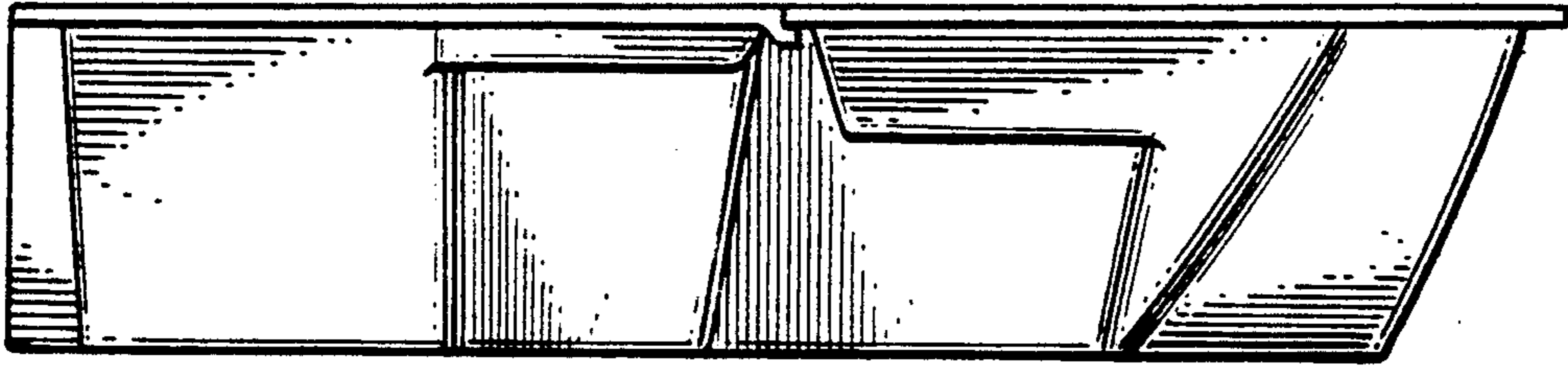


Fig. 6.

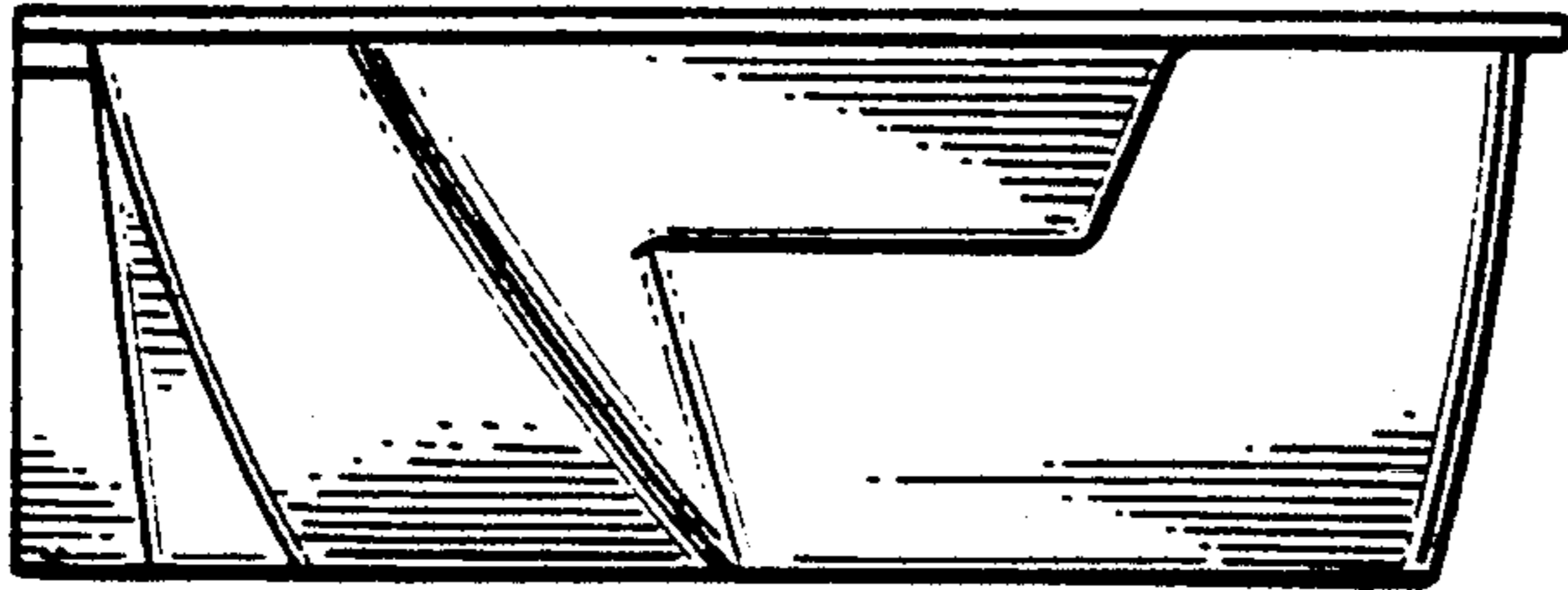


Fig. 7.

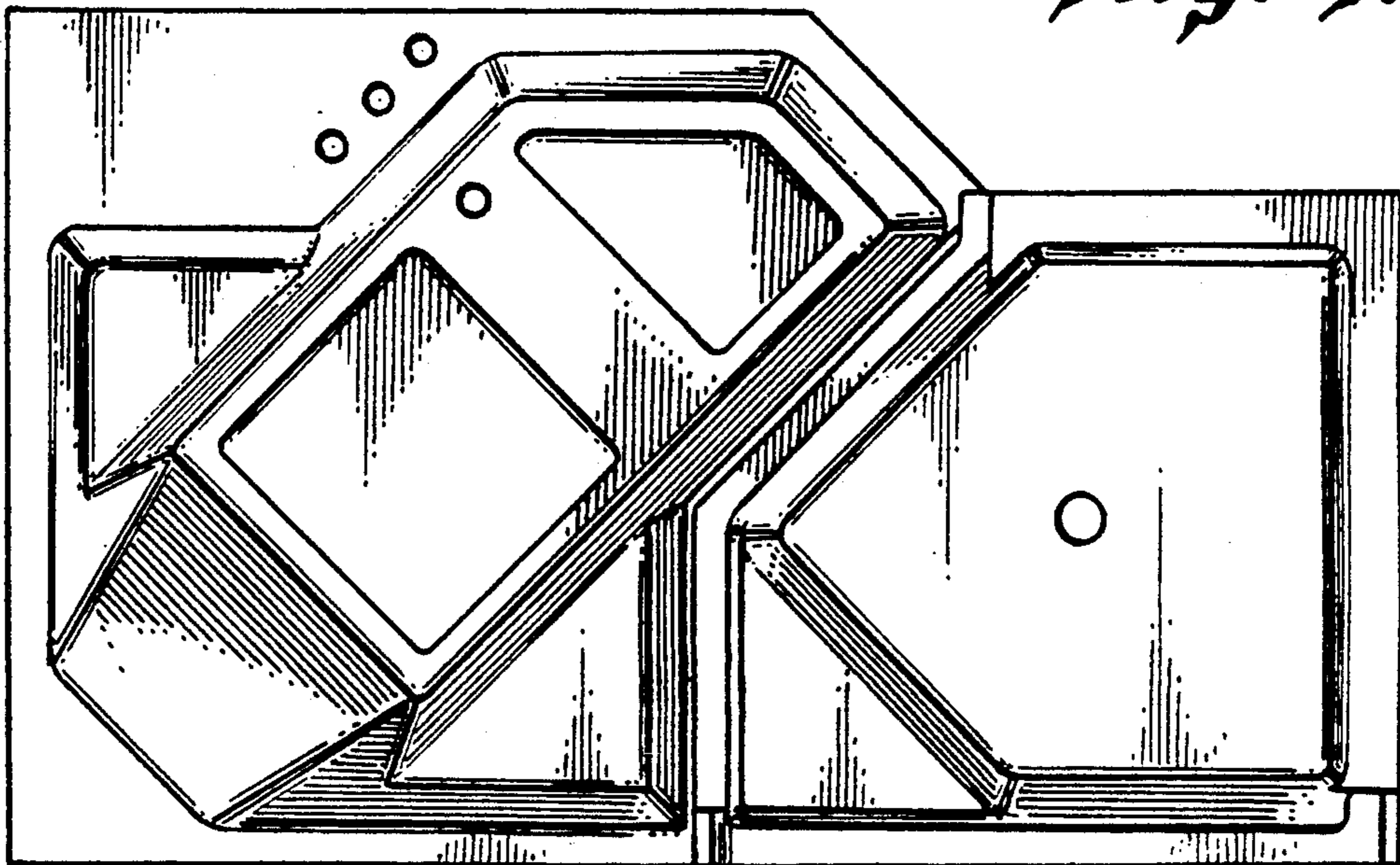


Fig. 8.

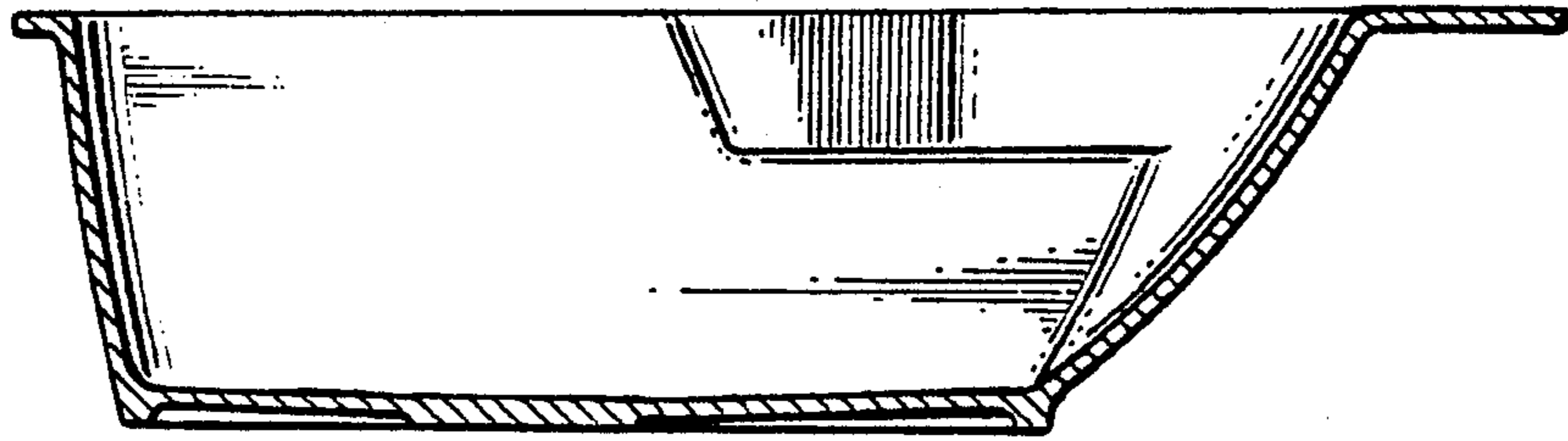


Fig. 9.

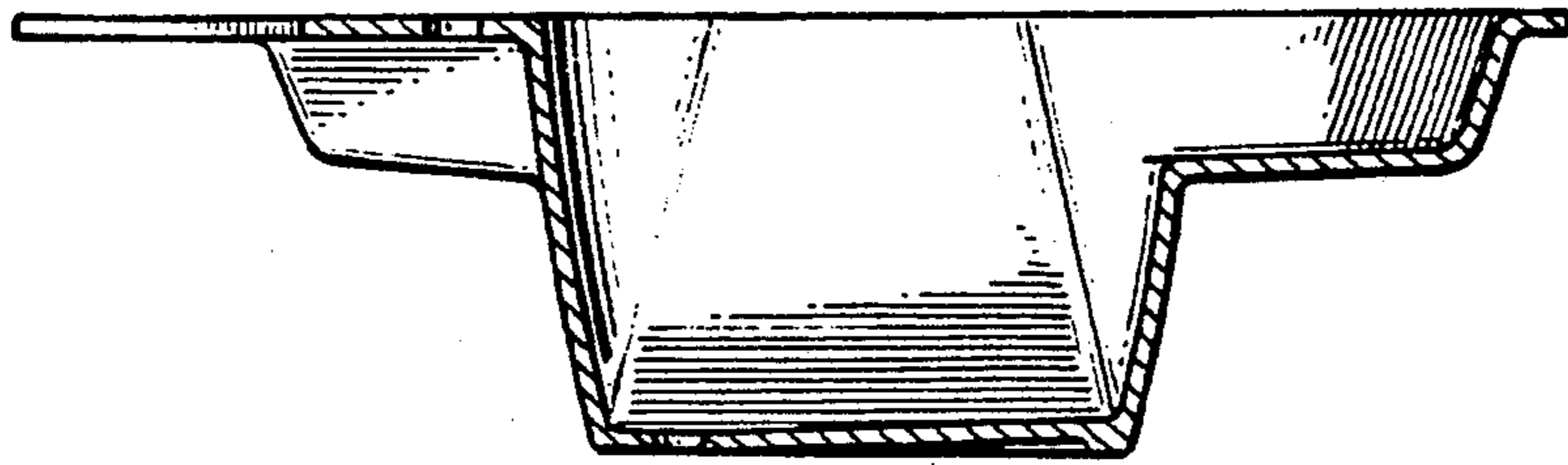


Fig. 10.

