



US00D325610S

United States Patent [19]

[11] Patent Number: Des. 325,610

Walker et al.

[45] Date of Patent: ** Apr. 21, 1992

[54] PHYSICAL EXERCISER

[75] Inventors: Christopher W. Walker, Middleburg; Michael M. Szafranski, Fairfax, both of Va.; Howell F. Hsiao, Mountain View; Sung H. Kim, Palo Alto, both of Calif.

[73] Assignee: Walker Fitness Systems, Inc., Reston, Va.

[**] Term: 14 Years

[21] Appl. No.: 434,831

[22] Filed: Nov. 13, 1989

[52] U.S. Cl. D21/195

[58] Field of Search D21/191-199; 272/93, 67, 68, 75, 143, 118, 144, 125, 135, 133, 129

- 4,634,127 1/1987 Rockwell .
- 4,635,933 1/1987 Schnell .
- 4,705,271 11/1987 Mondloch et al. .
- 4,765,611 8/1988 MacMillan .
- 4,765,613 8/1988 Voris .
- 4,801,139 1/1989 Van Houtte et al. .
- 4,811,946 3/1989 Pelczar .
- 4,822,038 4/1989 Maag .
- 4,826,157 5/1989 Fitzpatrick .
- 4,826,158 5/1989 Fields, Jr. .
- 4,828,257 5/1989 Dyer et al. .
- 4,844,055 7/1989 Rawcliffe .
- 4,846,466 7/1989 Stima, III .
- 4,871,166 10/1989 Sterba et al. .

OTHER PUBLICATIONS

Newsweek, p. 43, Sep. 14, 1981.

Primary Examiner—Charles A. Rademaker
Attorney, Agent, or Firm—Dickstein, Shapiro & Morin

[56] References Cited

U.S. PATENT DOCUMENTS

- D. 288,451 2/1987 Irvine et al. D21/195
- D. 296,709 7/1988 Gvoich et al. .
- D. 300,233 3/1989 Griffin .
- D. 300,647 4/1989 Griffin .
- D. 306,053 2/1990 Beistegui D21/195
- 3,892,404 7/1975 Martucci .
- 4,258,913 3/1981 Brentham .
- 4,275,882 6/1981 Grosser et al. .
- 4,407,495 10/1983 Wilson .
- 4,422,636 12/1983 de Angeli .
- 4,482,152 11/1984 Wolff .
- 4,533,136 8/1985 Smith et al. .
- 4,566,691 1/1986 Mahnke .
- 4,569,518 2/1986 Fulks .
- 4,603,855 8/1986 Sebelle .

[57] CLAIM

The ornamental design for a physical exerciser, as shown and described.

DESCRIPTION

FIG. 1 is a right side elevational view of a physical exerciser showing our new design; FIG. 2 is a left side elevational view thereof; FIG. 3 is a top plan view thereof; FIG. 4 is a front elevational view thereof; FIG. 5 is a rear elevational view thereof; FIG. 6 is a side perspective view thereof; FIG. 7 is a side perspective view of the side opposite that shown in FIG. 6; and, FIG. 8 is a rear perspective view thereof. The unshown bottom of the design is substantially plain and unornamented.

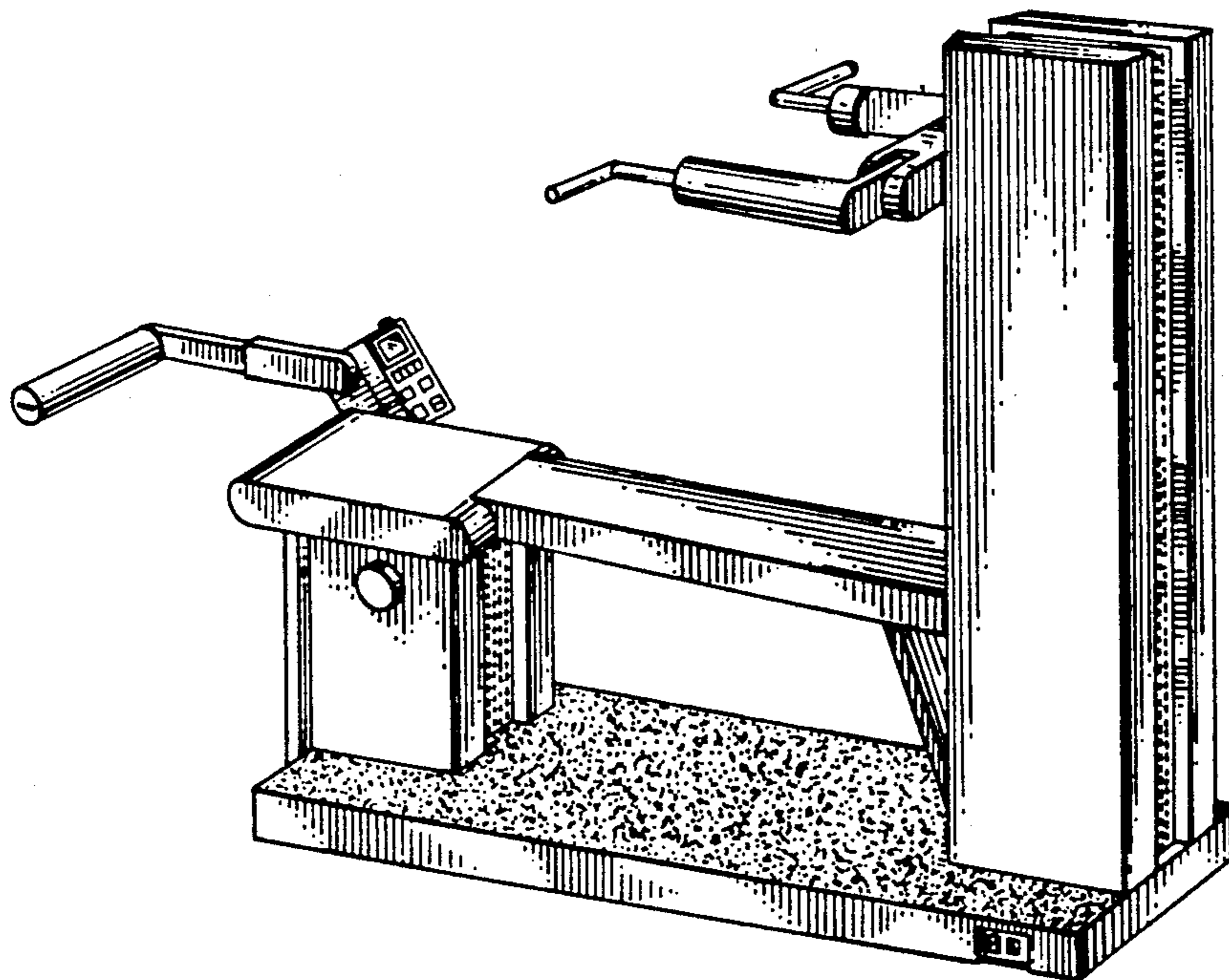


FIG. 1.

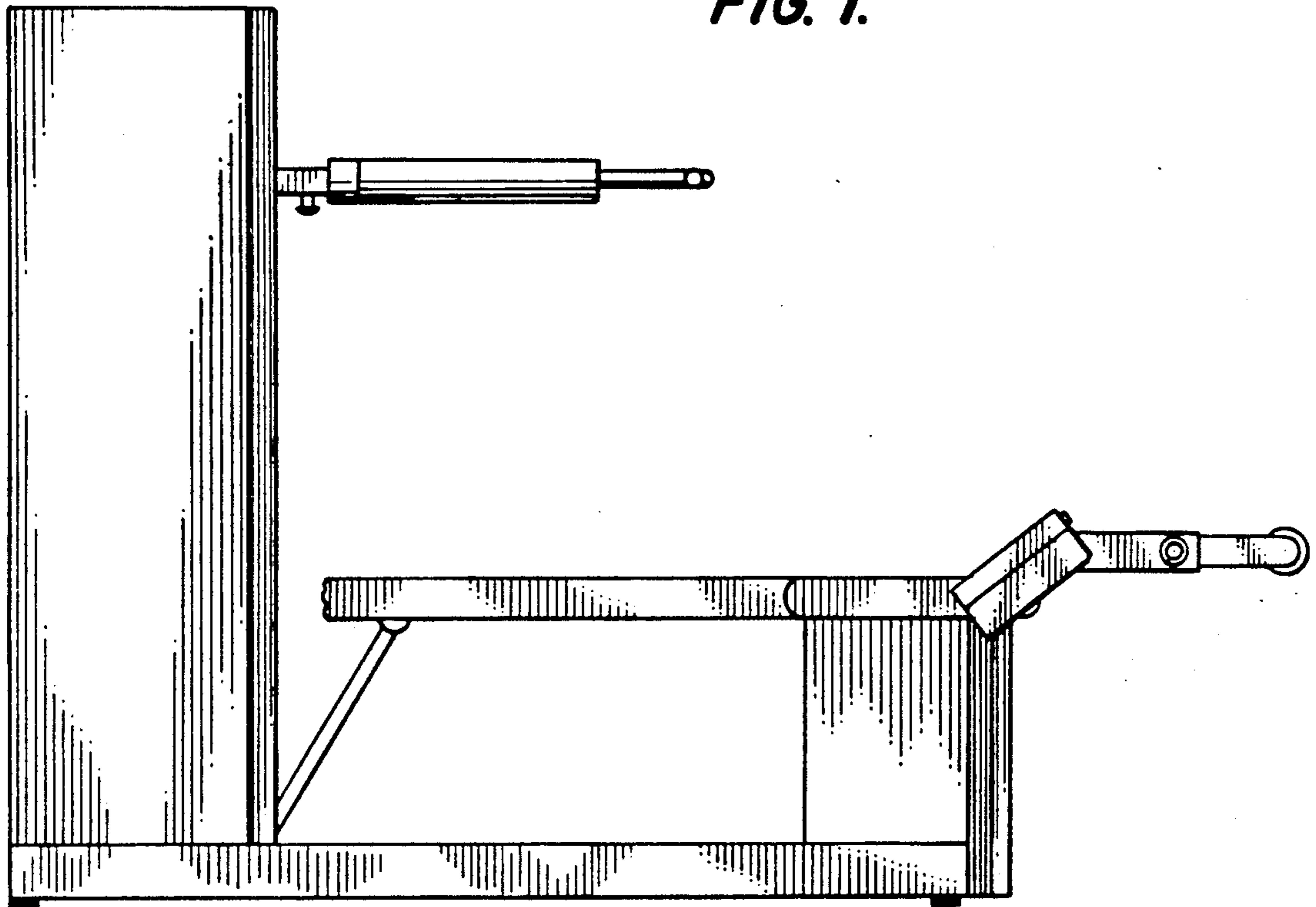


FIG. 2.

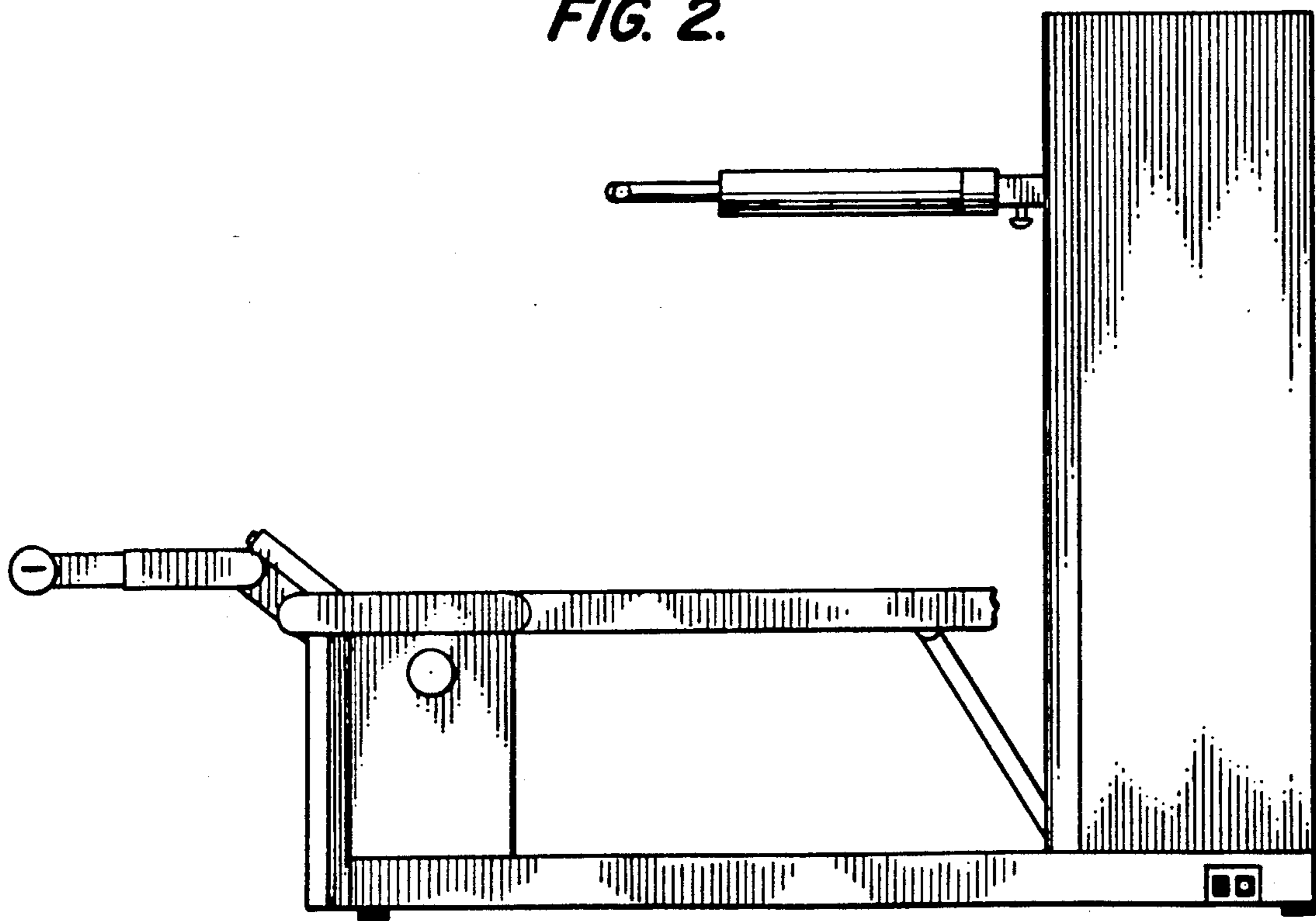


FIG. 3.

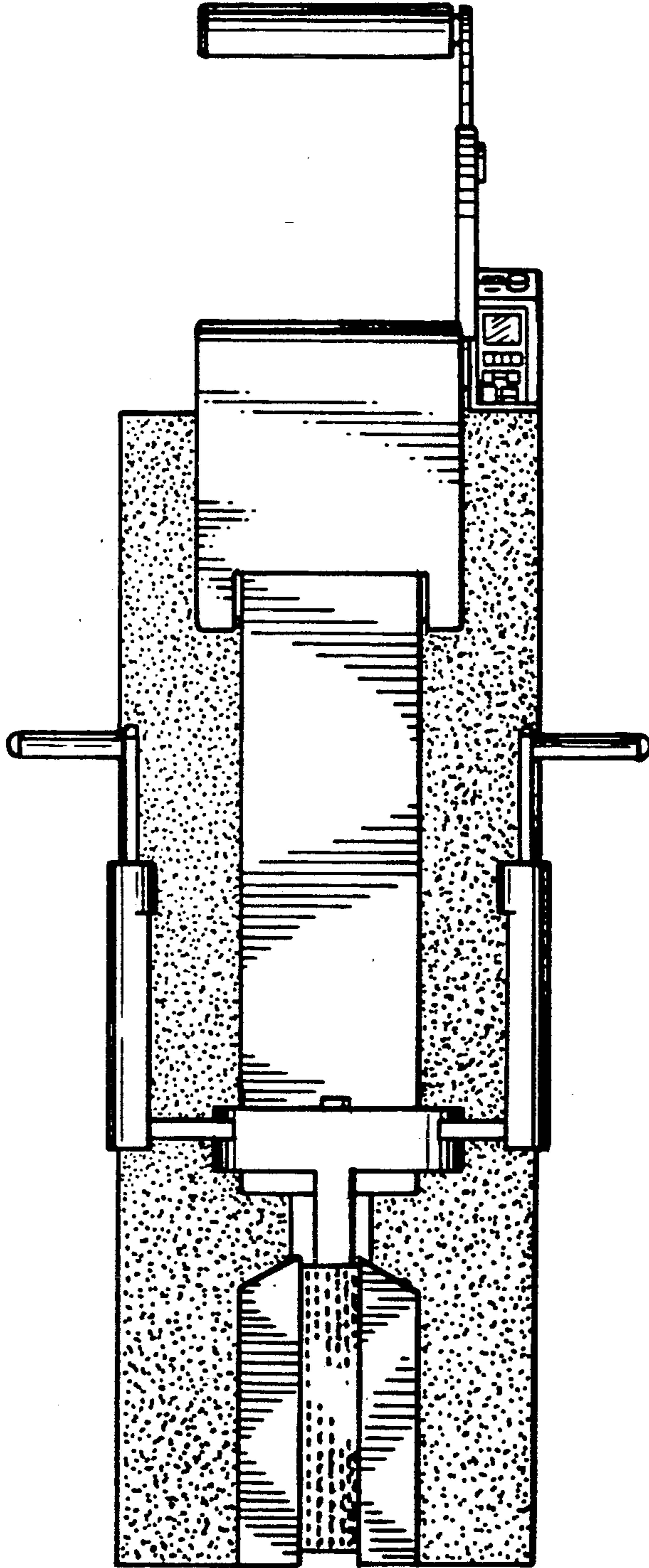


FIG. 4.

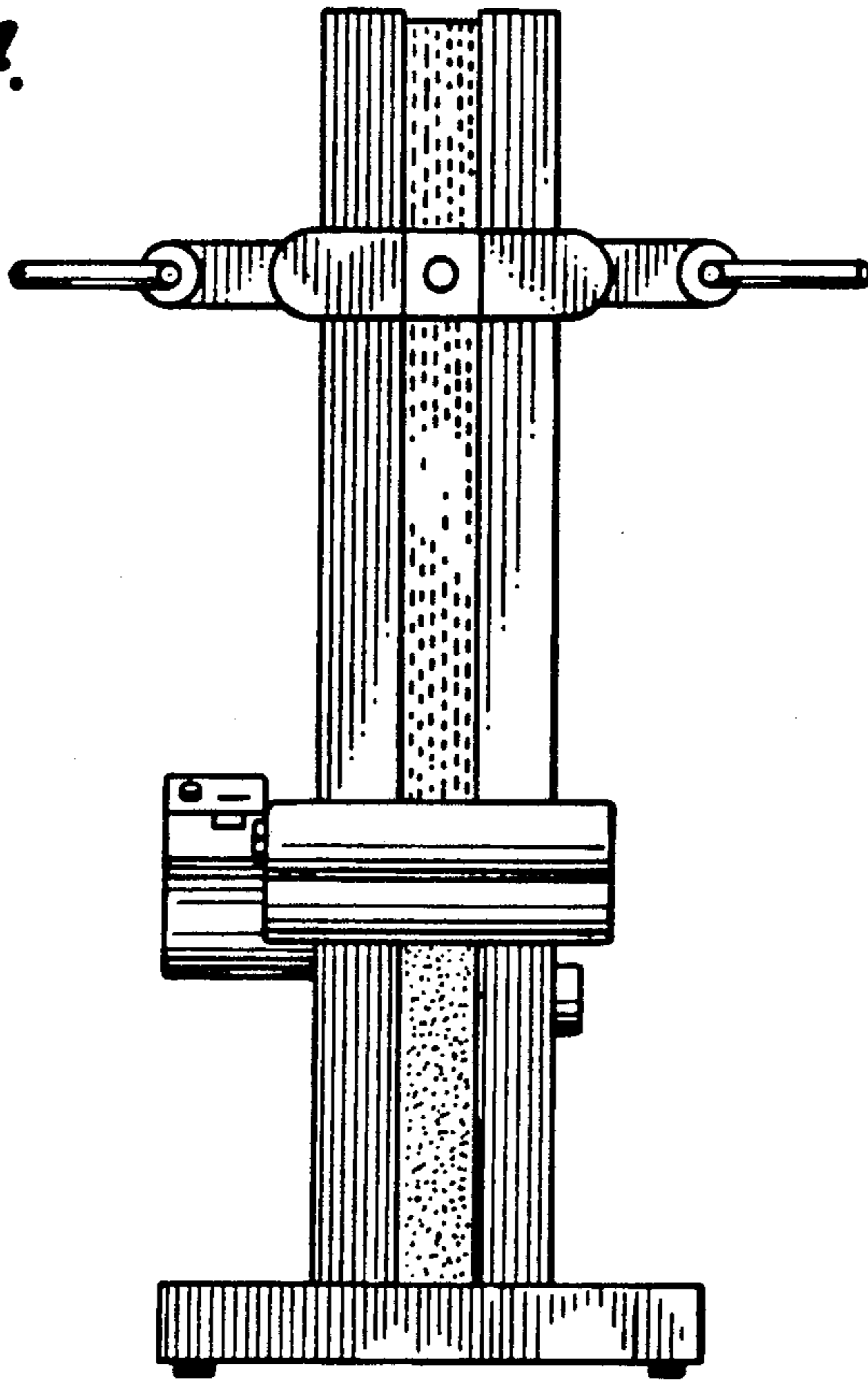


FIG. 5.

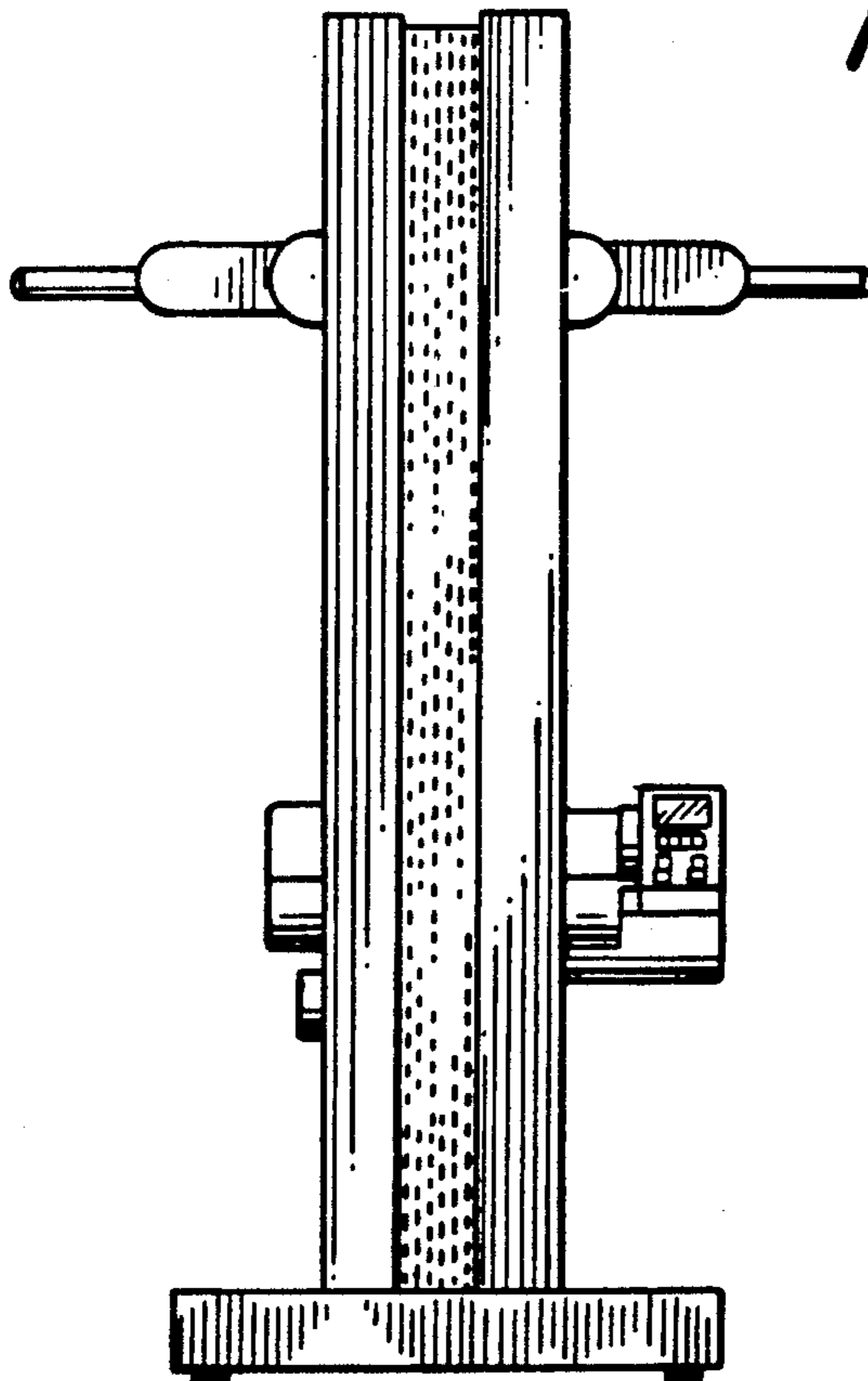


FIG. 6.

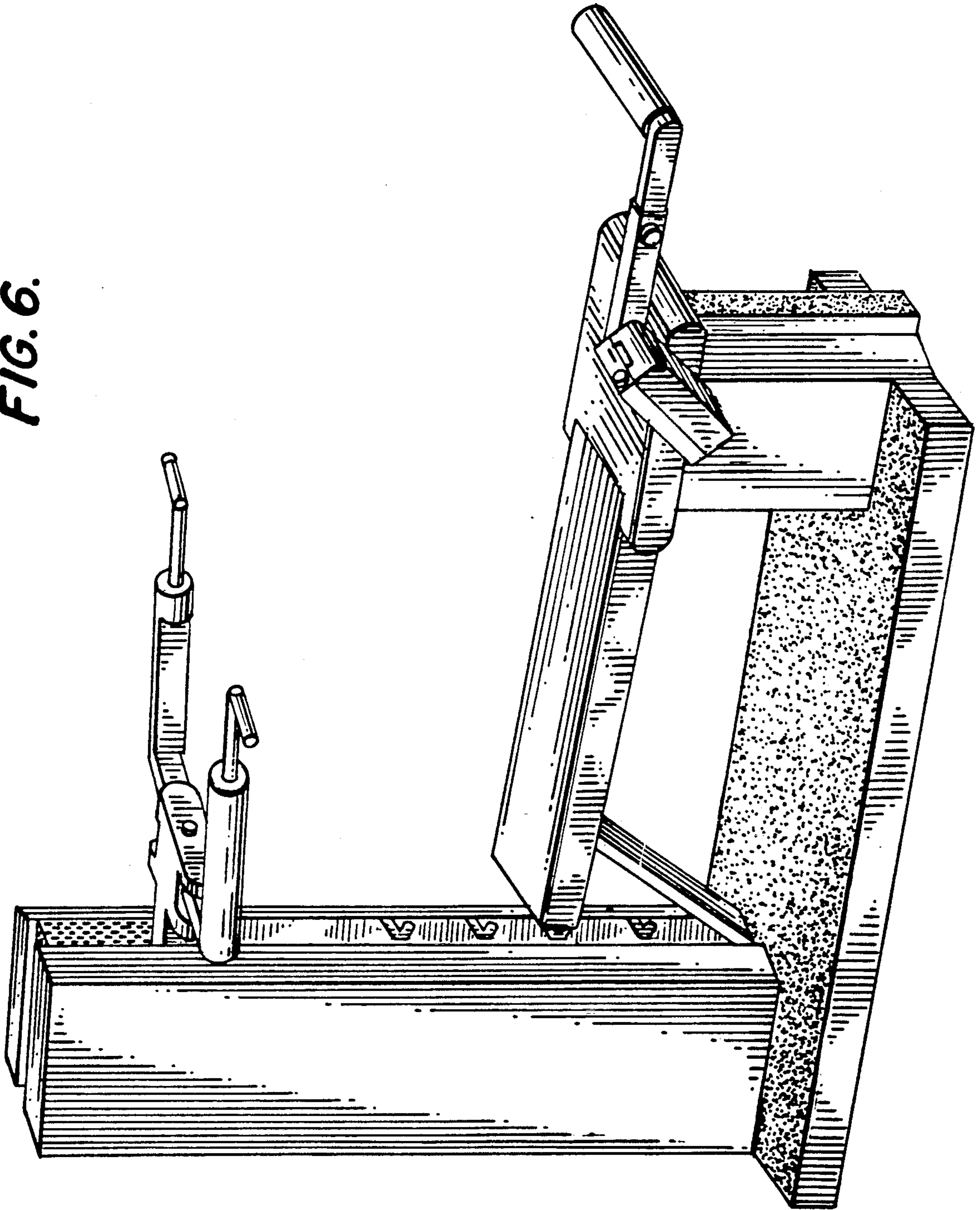


FIG. 7.

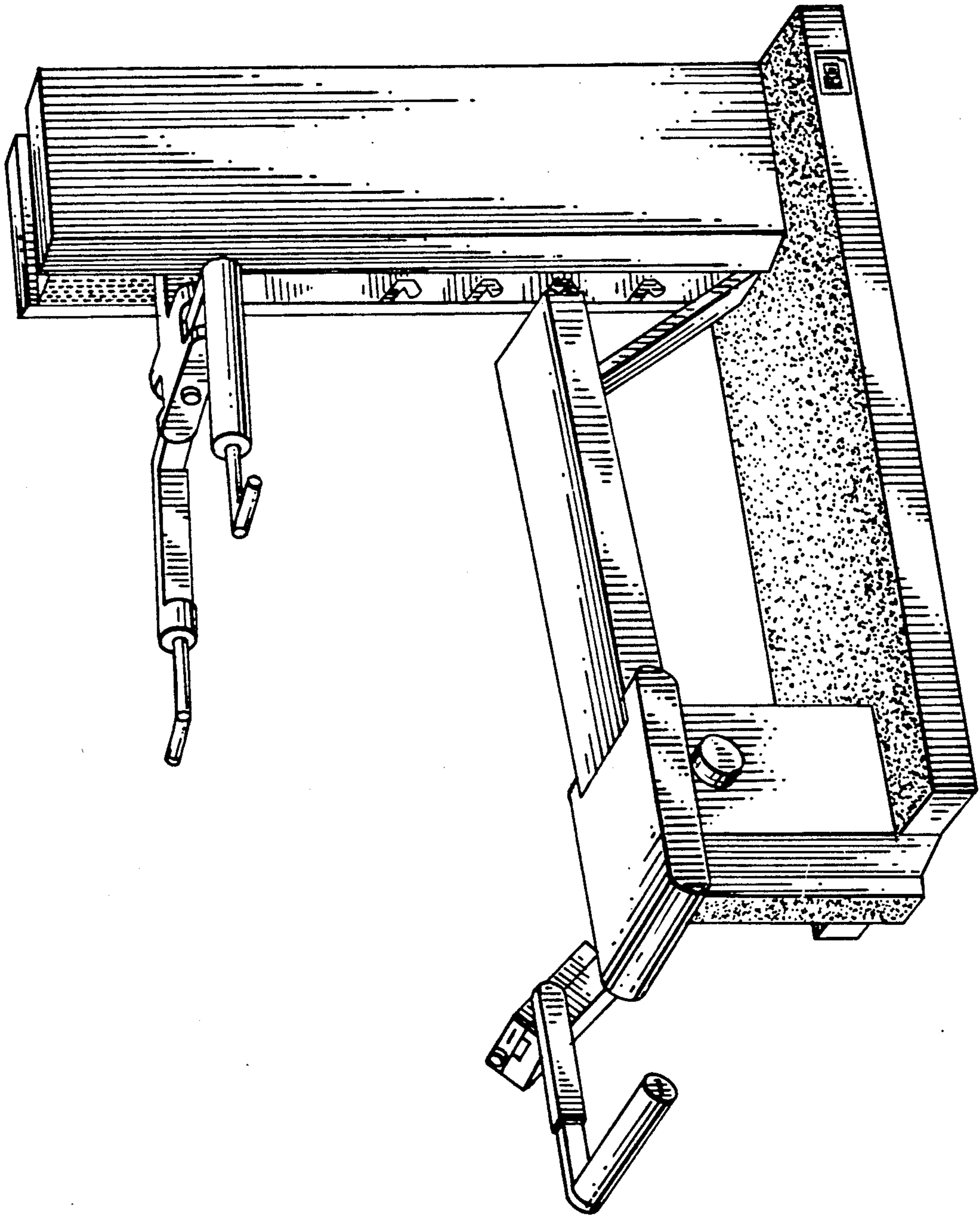


FIG. 8.

