



US00D325608S

United States Patent [19]

[11] Patent Number: **Des. 325,608**

Anderson

[45] Date of Patent: **** Apr. 21, 1992**

[54] **EXERCISE CHAIR**

[76] Inventor: **Don D. Anderson, 509 Bard St., Port Huron, Mich. 48060**

[**] Term: **14 Years**

[21] Appl. No.: **473,855**

[22] Filed: **Feb. 2, 1990**

[52] U.S. Cl. **D21/191**

[58] Field of Search **D21/191-199;**
272/93, 67, 143, 144, 125, 903

D. 300,048 2/1989 Grider D21/191
4,277,062 7/1981 Lawrence .
4,456,247 6/1984 Ehrenfried .
4,781,373 11/1988 Irwin .

Primary Examiner—Charles A. Rademaker
Attorney, Agent, or Firm—Terry M. Gernstein

[57] **CLAIM**

The ornamental design for an exercise chair, as shown and described.

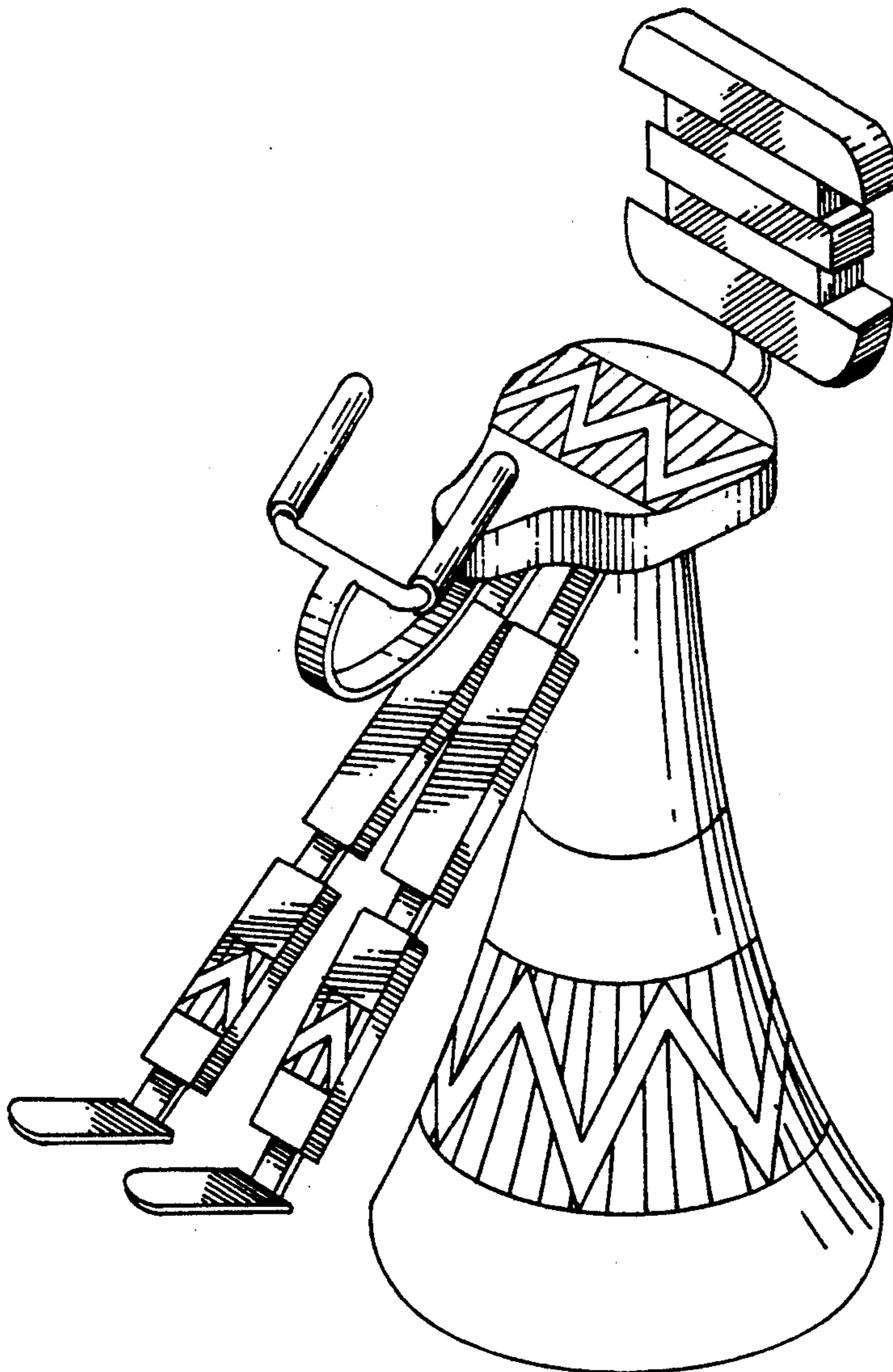
DESCRIPTION

FIG. 1 is a perspective view of an exercise chair showing my new design;
FIG. 2 is a front elevational view thereof;
FIG. 3 is a side elevational view thereof, the side opposite being a mirror image;
FIG. 4 is a rear elevational view thereof; and,
FIG. 5 is a top plan view thereof.

[56] **References Cited**

U.S. PATENT DOCUMENTS

D. 256,968	9/1980	Hirota	D6/366
D. 269,231	6/1983	Pickler	D6/334
D. 271,603	11/1983	Berner	D21/195
D. 280,116	8/1985	McGowen	D21/193
D. 300,045	2/1989	Grider	D21/191



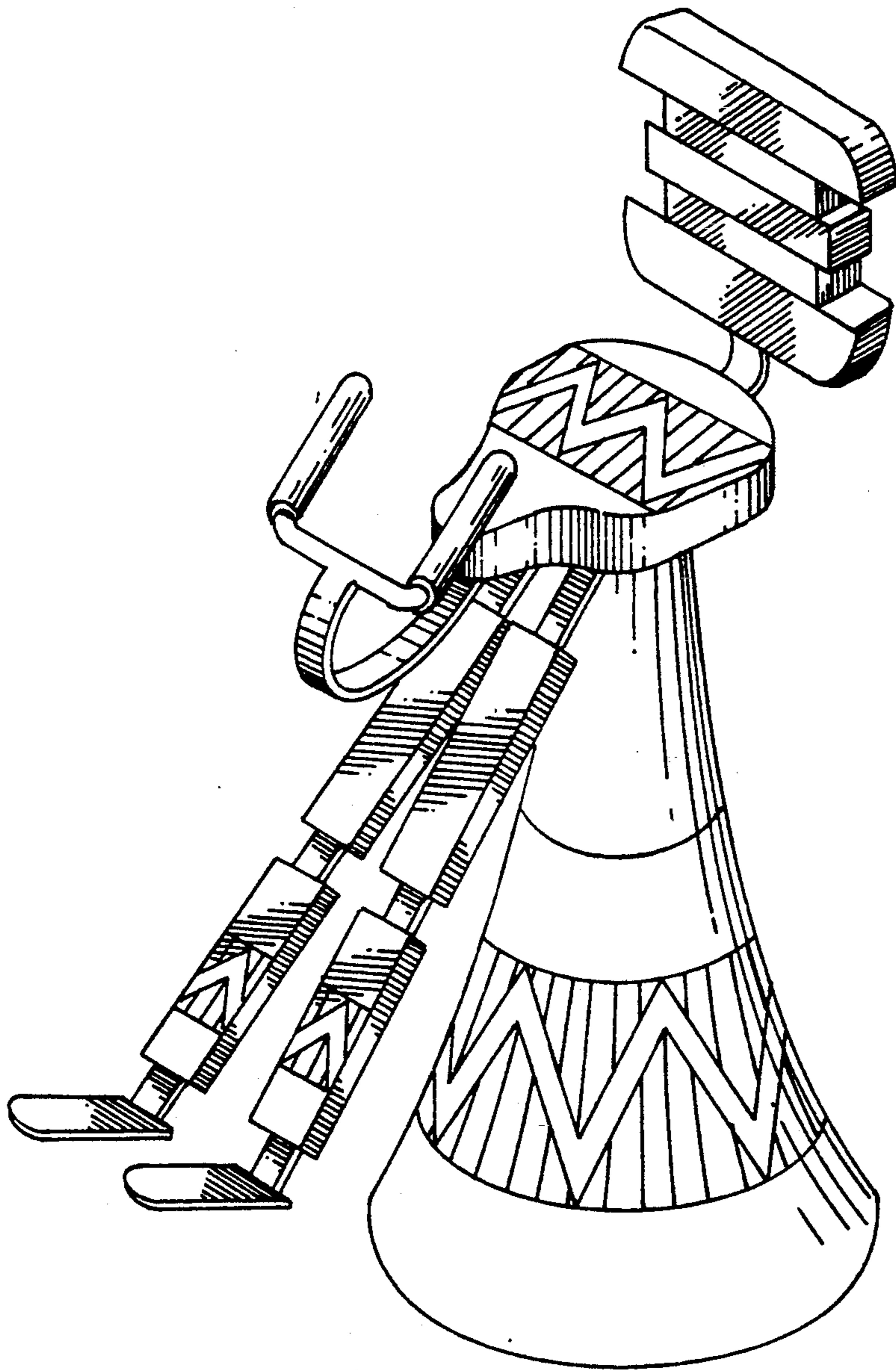


FIG. 1.

FIG. 3

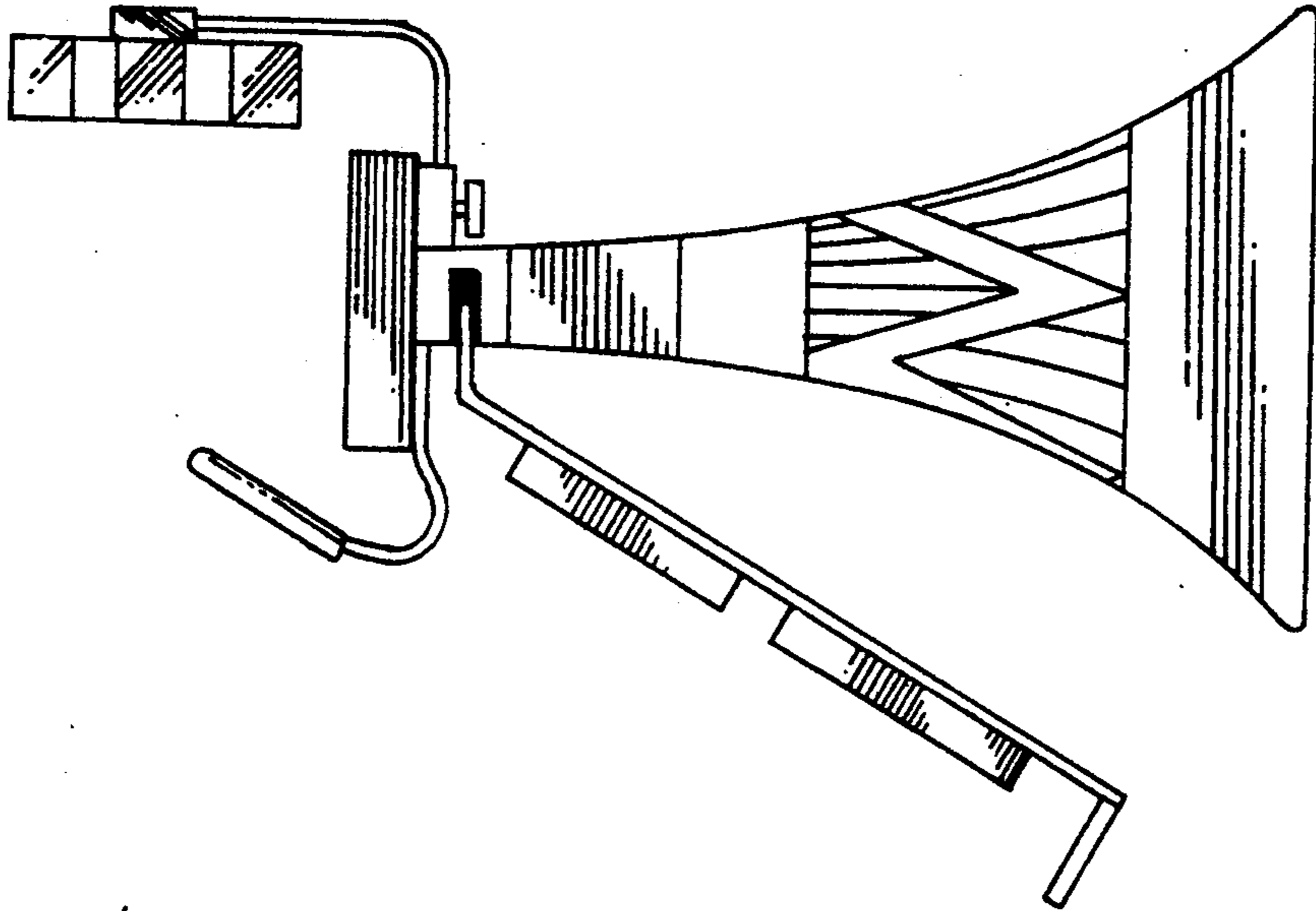


FIG. 2

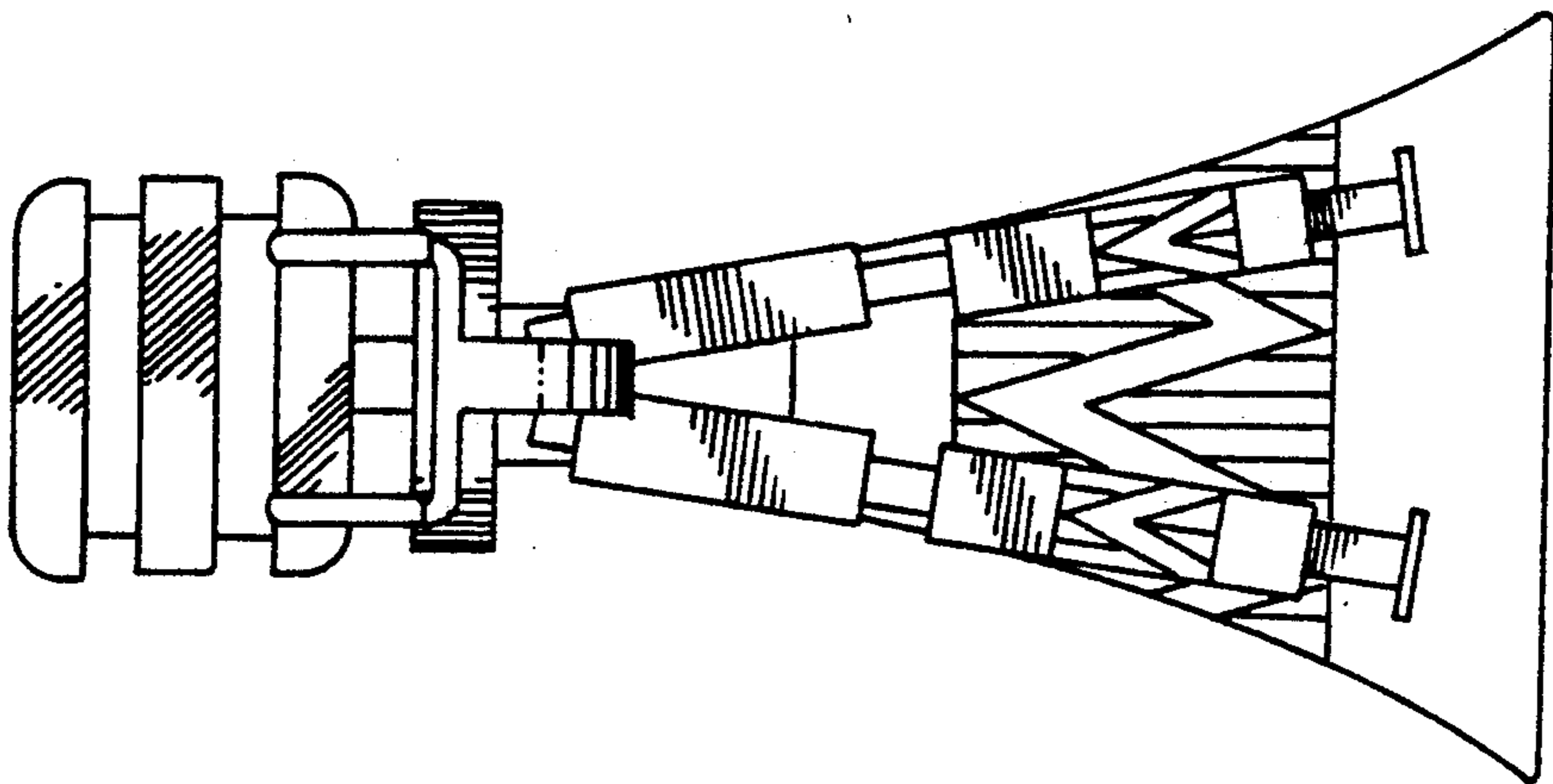


FIG. 5.

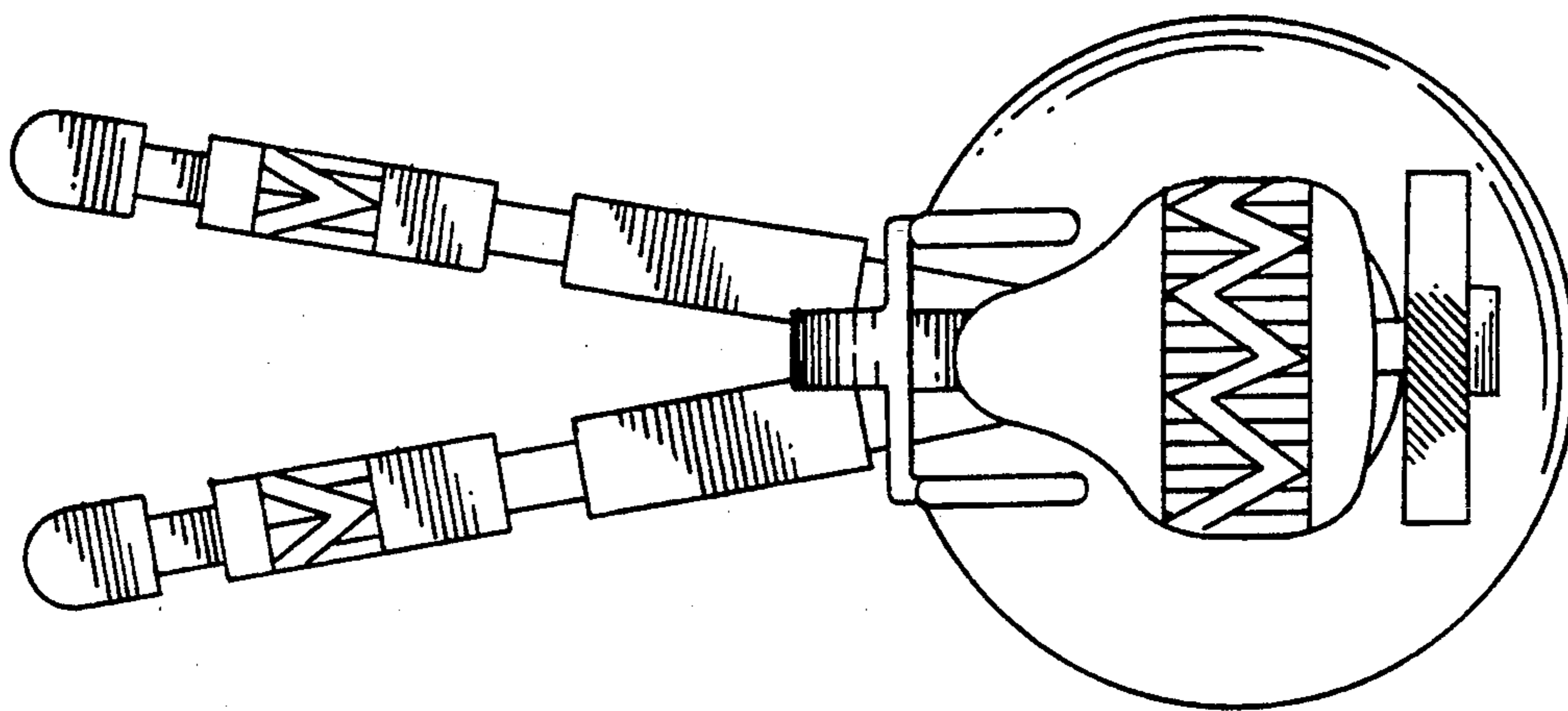


FIG. 4.

