



US00D325605S

**United States Patent** [19]  
**Holmstrøm**

[11] **Patent Number: Des. 325,605**  
[45] **Date of Patent: \*\* Apr. 21, 1992**

[54] **FIGURE FOR A TOY BUILDING SET**

[75] **Inventor: Berit Holmstrøm, Roskilde, Denmark**

[73] **Assignee: Interlego A.G., Baar, Switzerland**

[\*\*] **Term: 14 Years**

[21] **Appl. No.: 621,957**

[22] **Filed: Dec. 4, 1990**

[52] **U.S. Cl. .... D21/108**

[58] **Field of Search ..... D21/108, 148, 159, 163, D21/166, 168, 161, 187; 446/97, 101, 128**

[56] **References Cited**

**U.S. PATENT DOCUMENTS**

D. 239,846	5/1976	Knudsen	.....	D21/108
D. 253,711	12/1979	Christiansen	.....	D21/166
D. 260,414	8/1981	Nakao	.....	D21/168
D. 269,882	7/1983	Leverton	.....	D21/166
D. 273,801	5/1984	Olfman	.....	D21/168

D. 284,091	6/1986	Arnau	.....	D21/168
4,744,780	5/1988	Volpe	.....	446/128
4,950,912	8/1990	Goldfarb	.....	446/97

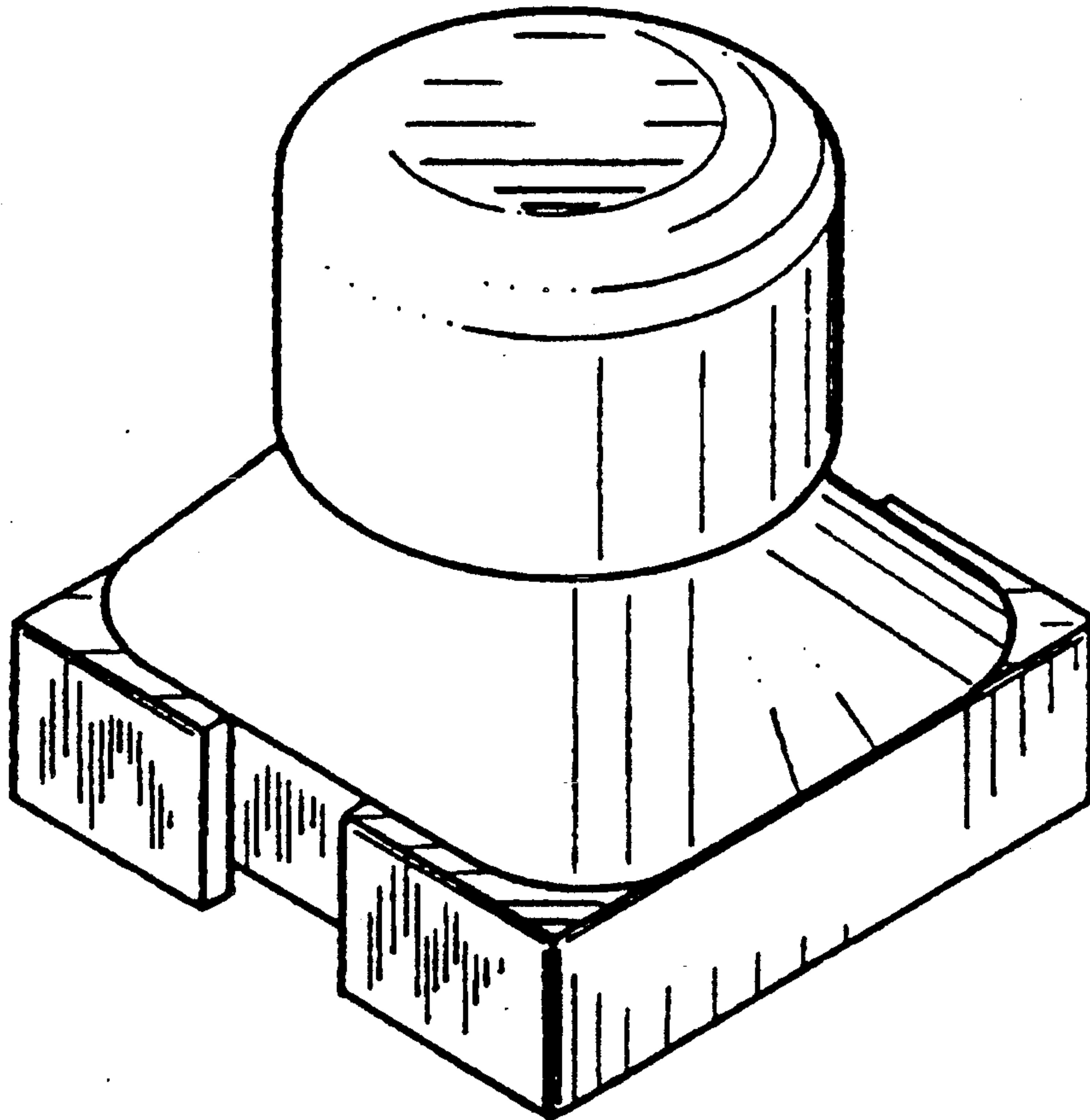
*Primary Examiner*—Bernard Ansher  
*Assistant Examiner*—R. Barkai  
*Attorney, Agent, or Firm*—Kane, Dalsimer, Sullivan, Kurucz, Levy, Eisele and Richard

[57] **CLAIM**

The ornamental design for a figure for a toy building set, as shown and described.

**DESCRIPTION**

FIG. 1 is a top perspective view of a figure for a toy building set showing my new design; FIG. 2 is a front elevational view thereof, the rear elevational view being identical; FIG. 3 is a side elevational view thereof, the other side being identical; FIG. 4 is a top plan view thereof; and, FIG. 5 is a bottom plan view thereof.



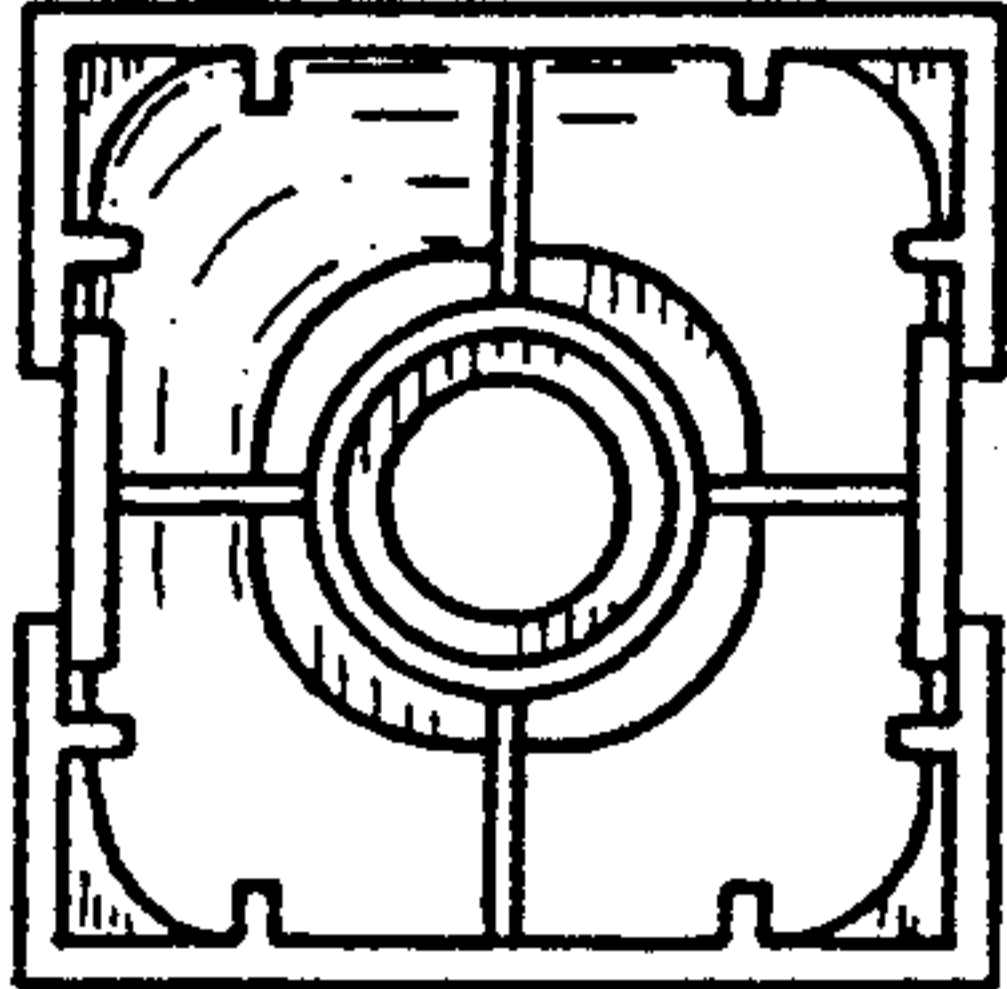


FIG. 5

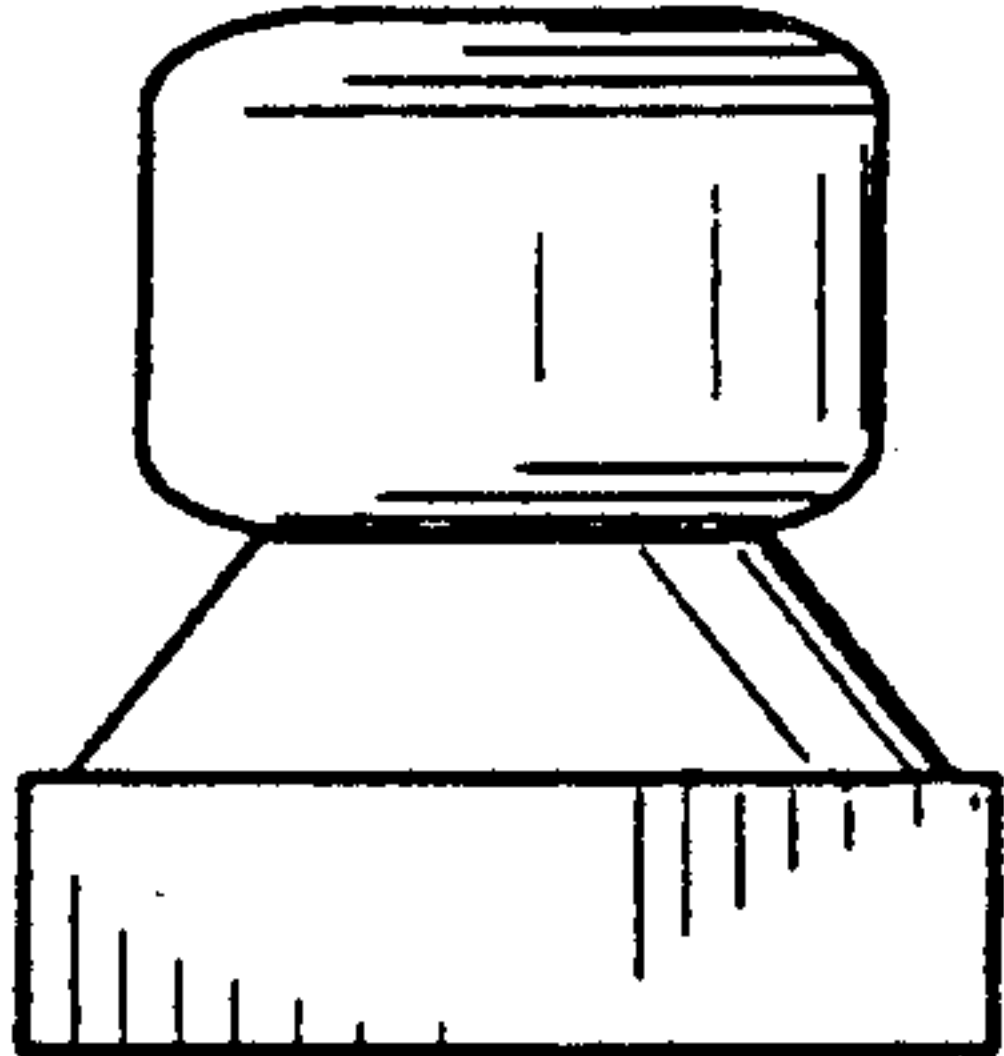


FIG. 3

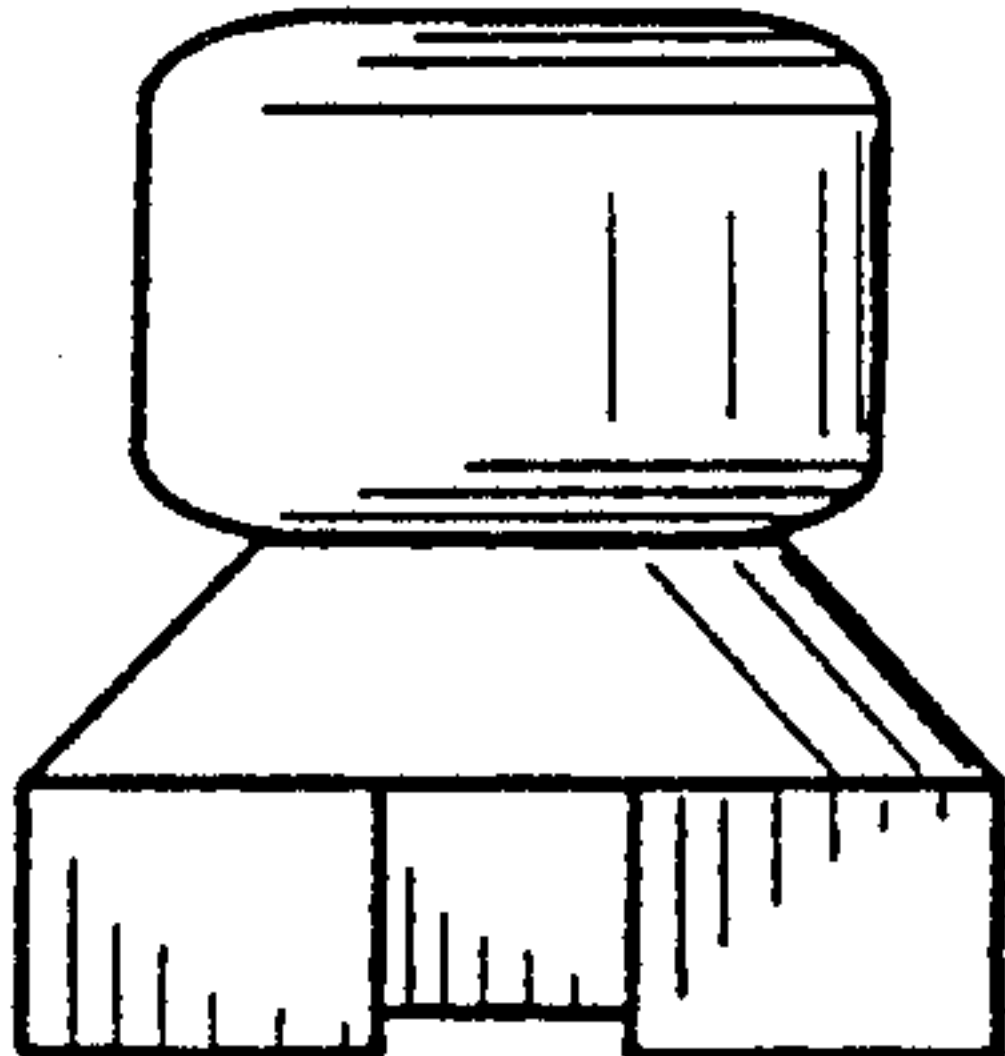


FIG. 2

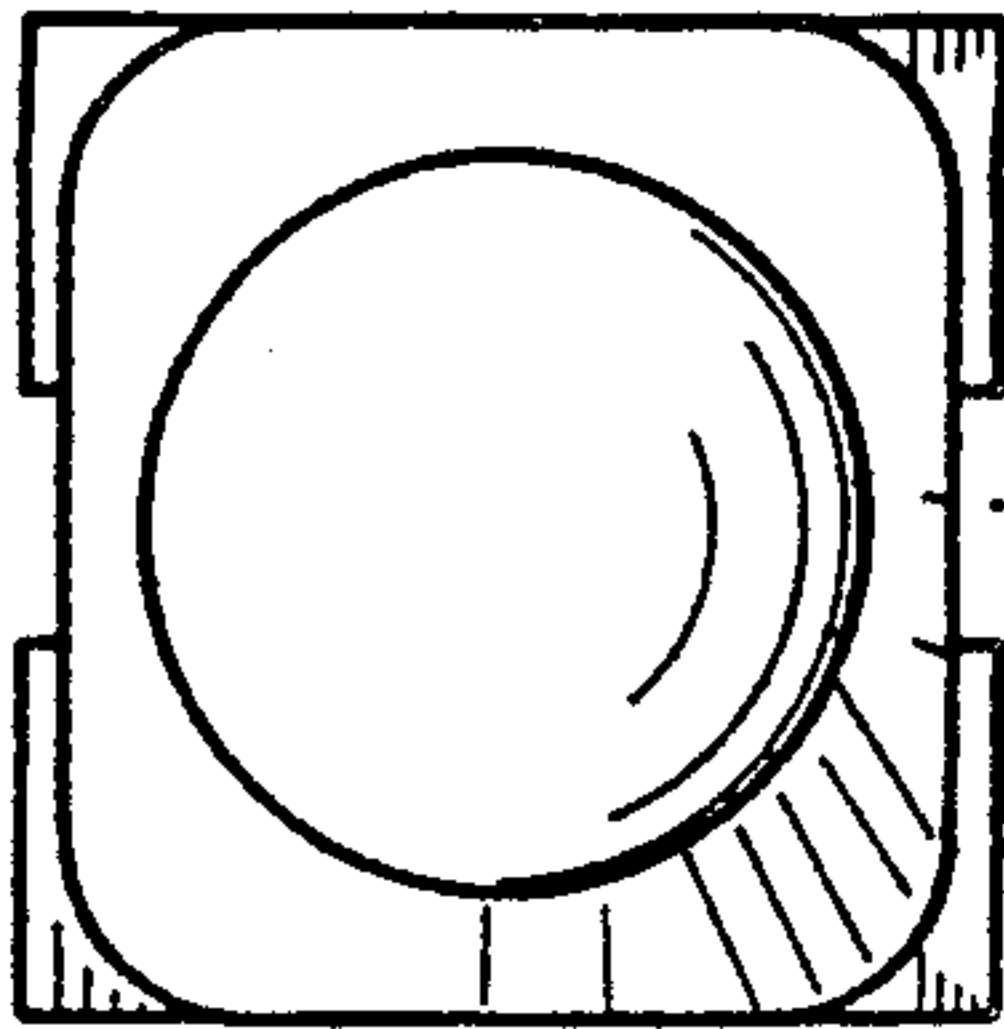


FIG. 4

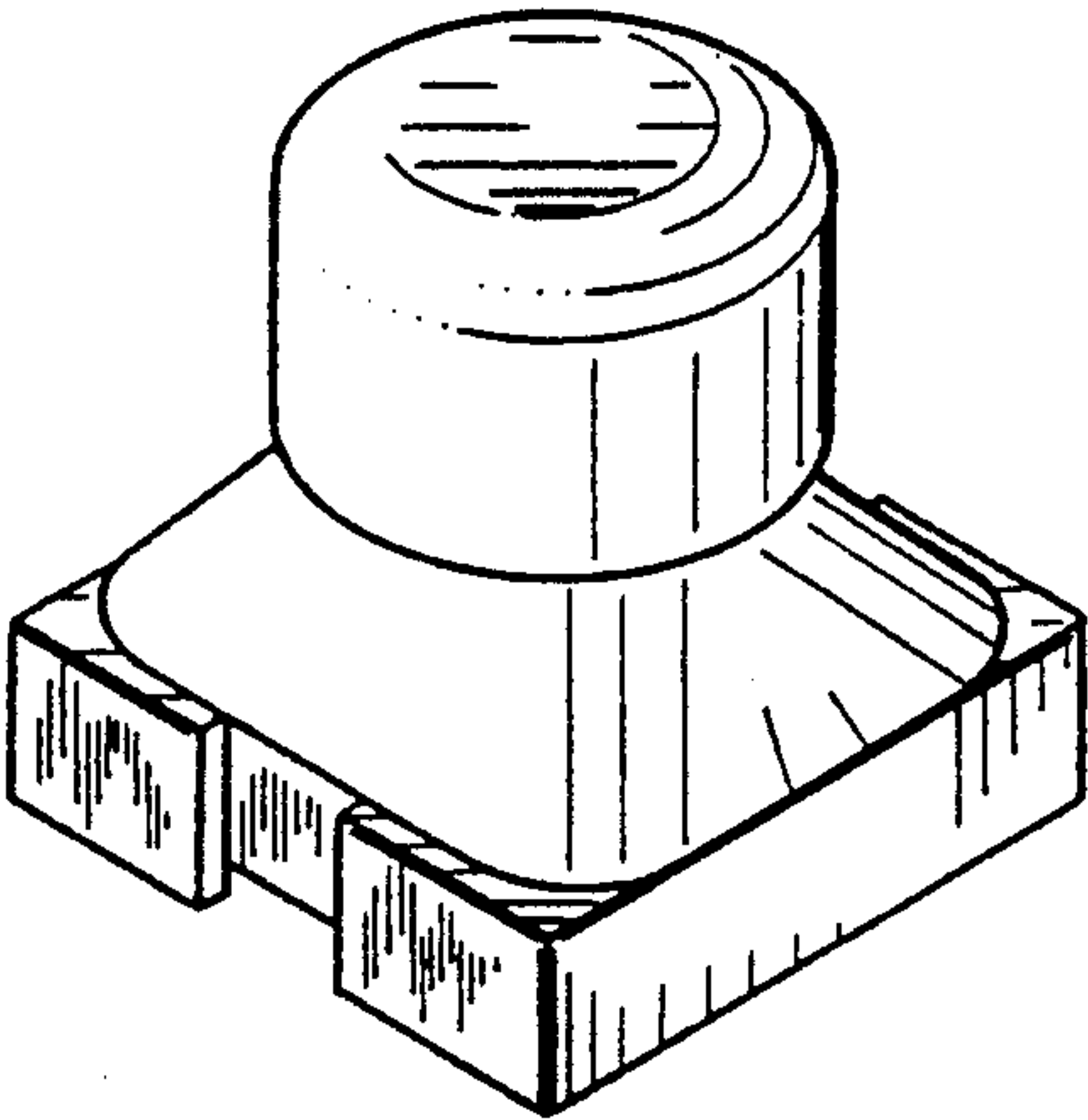


FIG. 1