



US00D325594S

# United States Patent [19]

[11] Patent Number: **Des. 325,594**

Ditzig

[45] Date of Patent: **\*\* Apr. 21, 1992**

[54] **DESKTOP DECISION MAKER NOVELTY**

[75] Inventor: **Albert Ditzig, Hoffman Estates, Ill.**

[73] Assignee: **Telephone Products, Inc., Wheeling, Ill.**

[\*\*] Term: **14 Years**

[21] Appl. No.: **535,867**

[22] Filed: **Jun. 11, 1990**

[52] U.S. Cl. .... **D11/131; D10/22; D19/84; D21/13; D21/37; D21/240**

[58] Field of Search ..... **D11/131; D10/22, 23; D19/84; D21/13, 37, 240; 273/138 A, 138**

[56] **References Cited**

**U.S. PATENT DOCUMENTS**

- D. 190,750 6/1961 Marti et al. .... D10/22
- D. 208,998 10/1967 Jeanrenaud ..... D10/22 X
- D. 260,023 7/1981 Pagani et al. .... D21/13
- D. 264,443 5/1982 Diskin ..... D10/22

- D. 268,601 4/1983 Lee ..... D21/13
- D. 270,335 8/1983 Lam ..... D10/22 X
- D. 310,110 8/1990 Dawson ..... D21/13

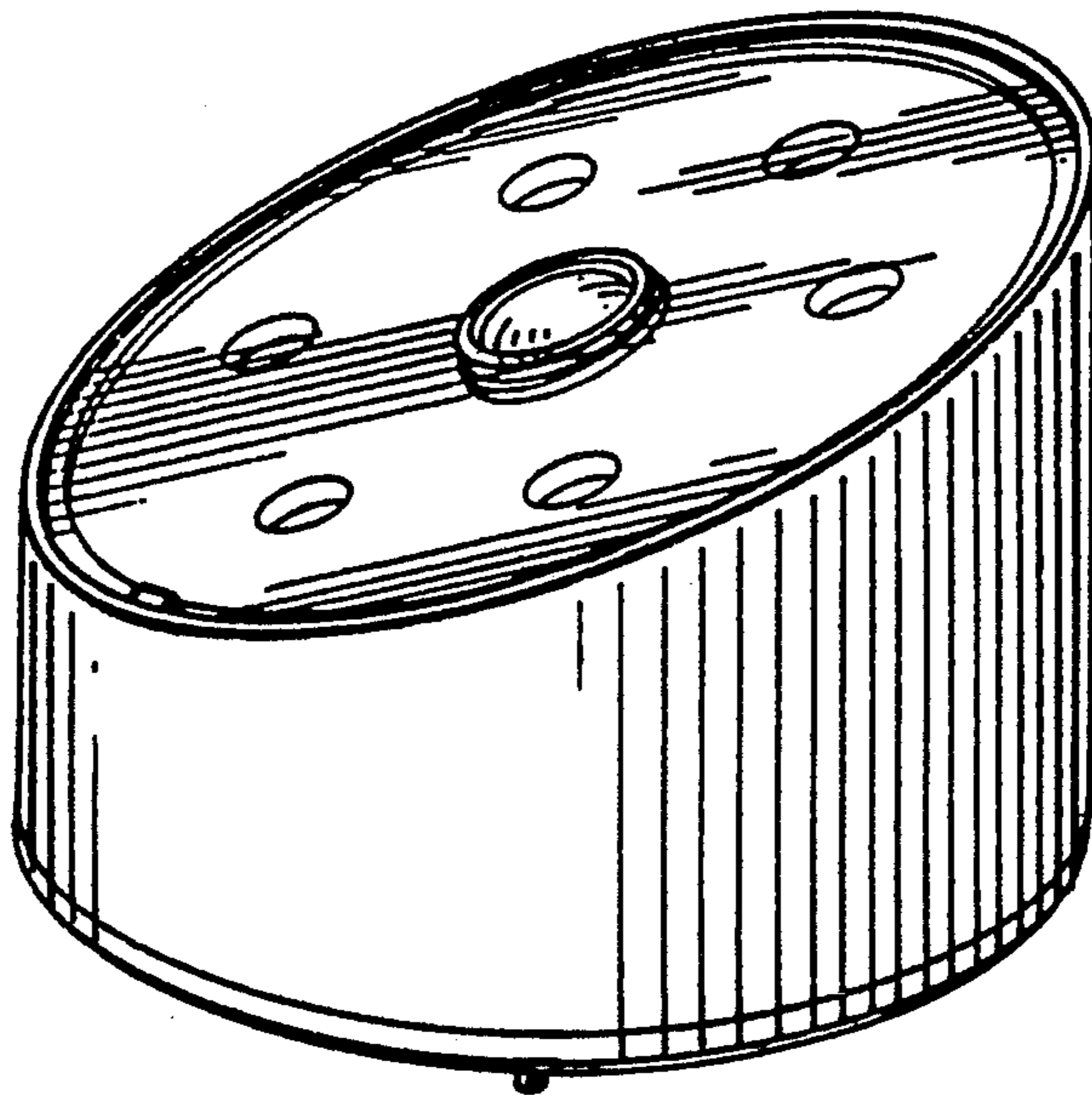
*Primary Examiner*—Theodore M. Shooman  
*Assistant Examiner*—Dominic Simone  
*Attorney, Agent, or Firm*—Jeffrey M. Morris

[57] **CLAIM**

The ornamental design for a desktop decision maker novelty, as shown and described.

**DESCRIPTION**

FIG. 1 is a top, front and side perspective view of a desktop decision maker novelty, showing my new design;  
 FIG. 2 is a top plan view thereof;  
 FIG. 3 is a left side elevational view thereof, the right side being a mirror image;  
 FIG. 4 is a front elevational view thereof;  
 FIG. 5 is a rear elevational view thereof; and,  
 FIG. 6 is a bottom plan view thereof.



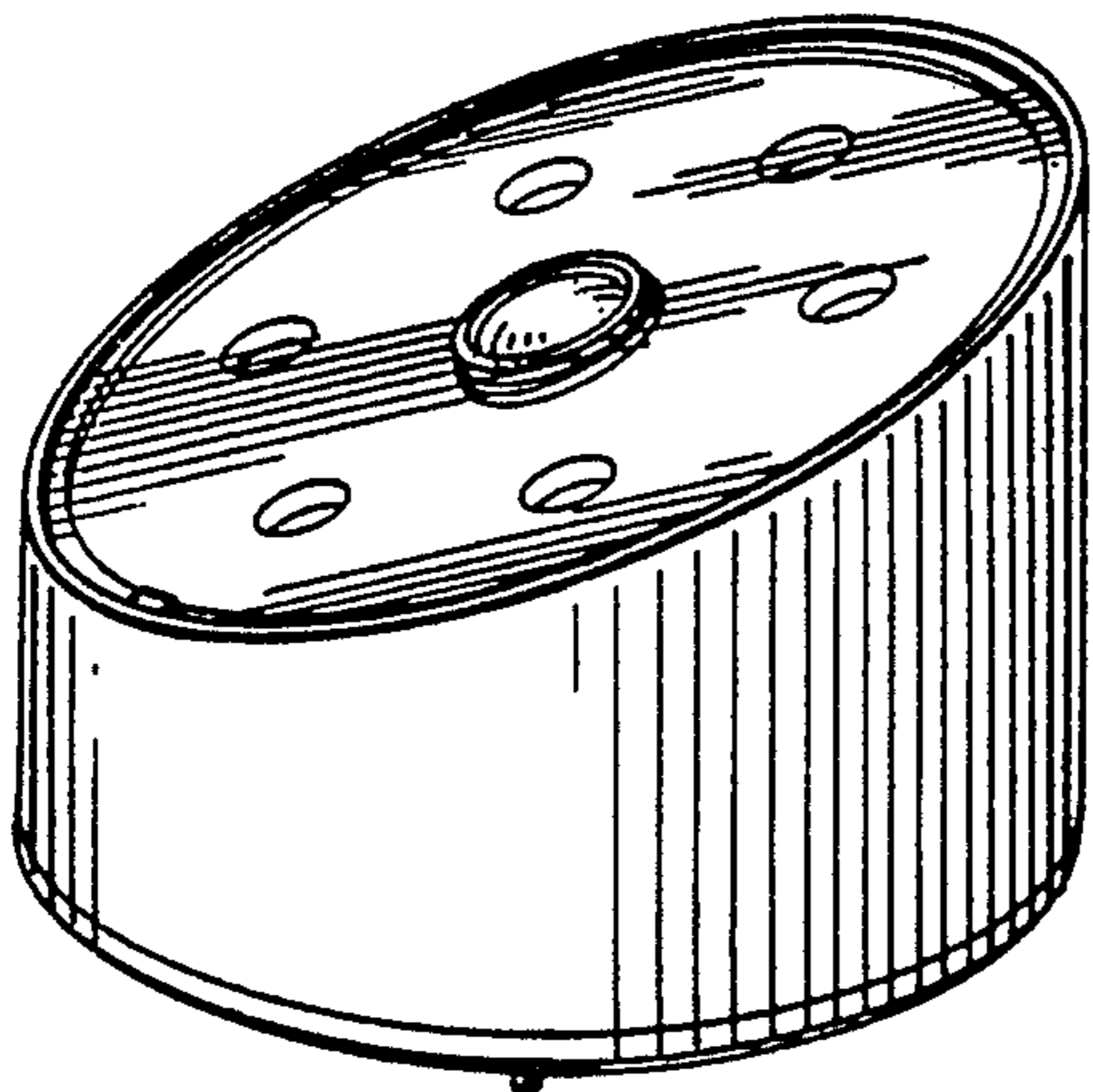


FIG. 1

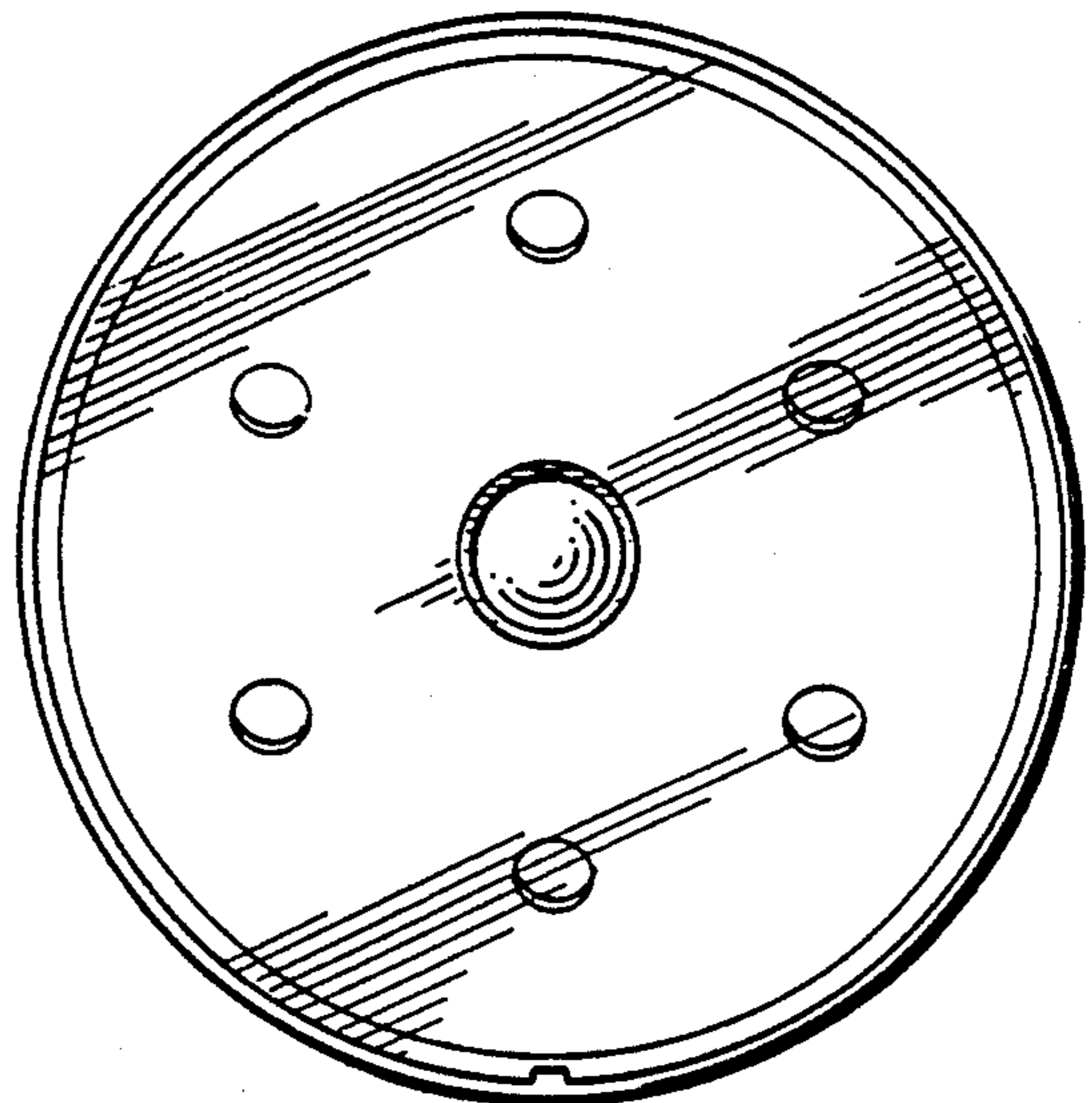


FIG. 2

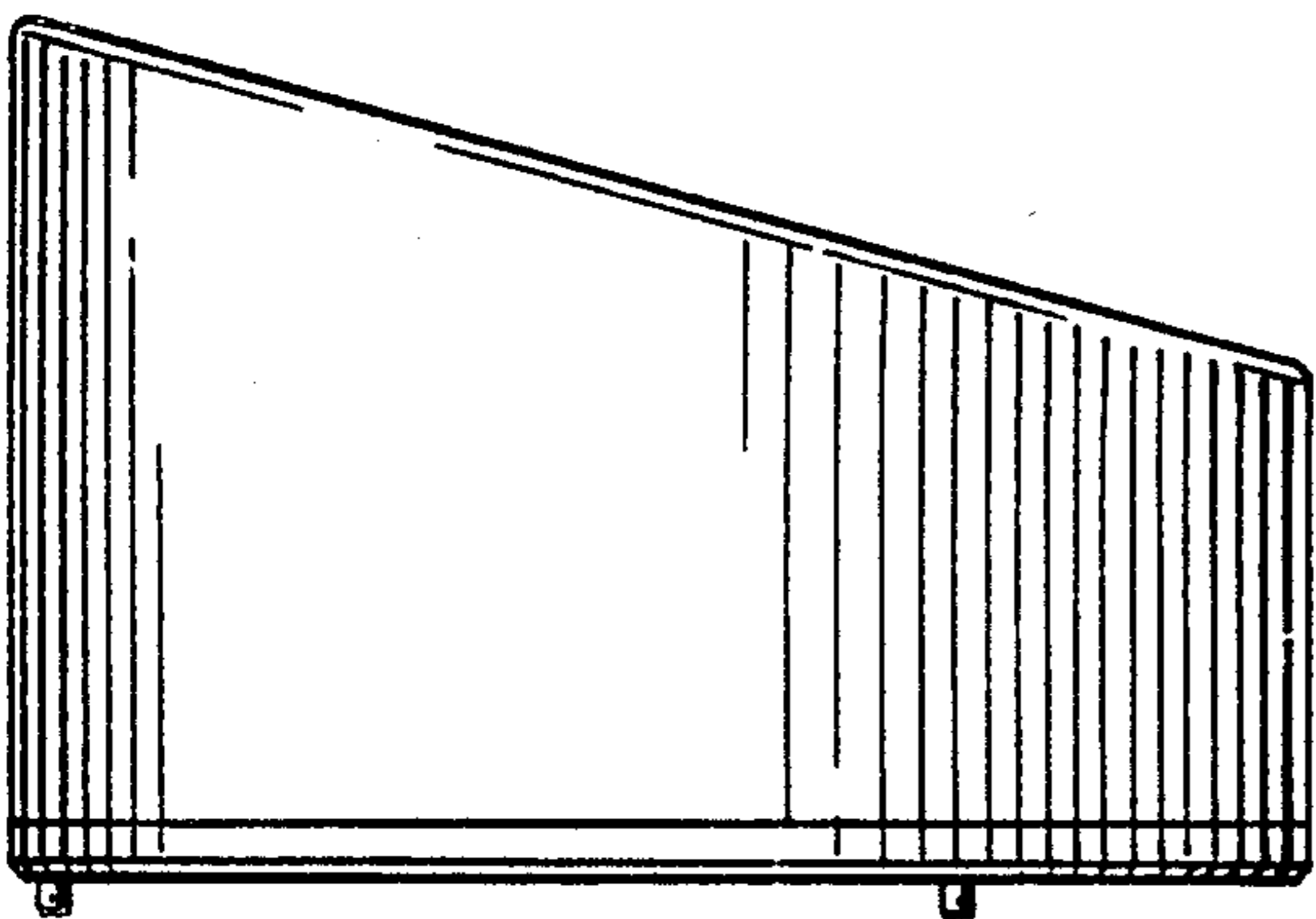


FIG. 3

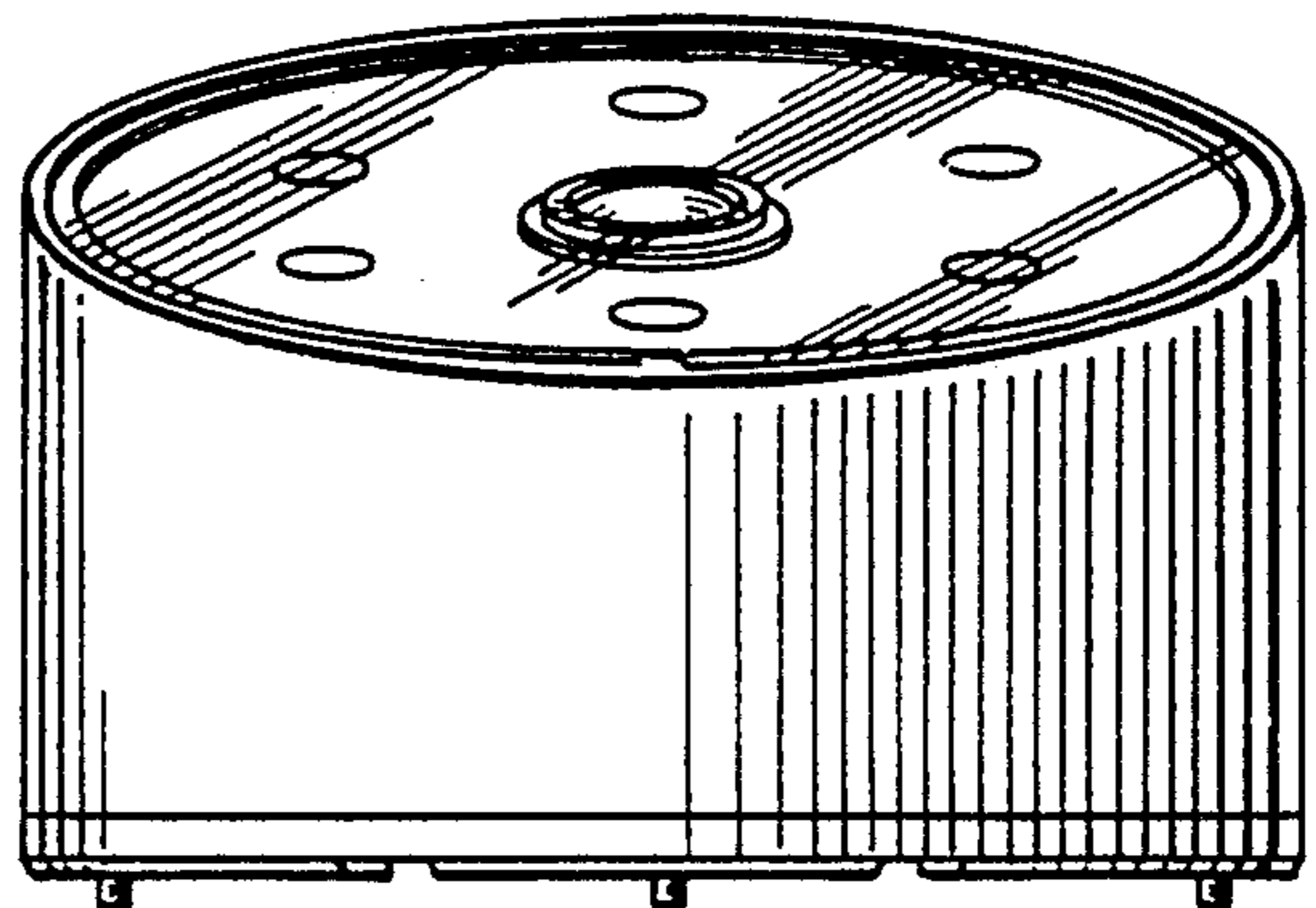


FIG. 4

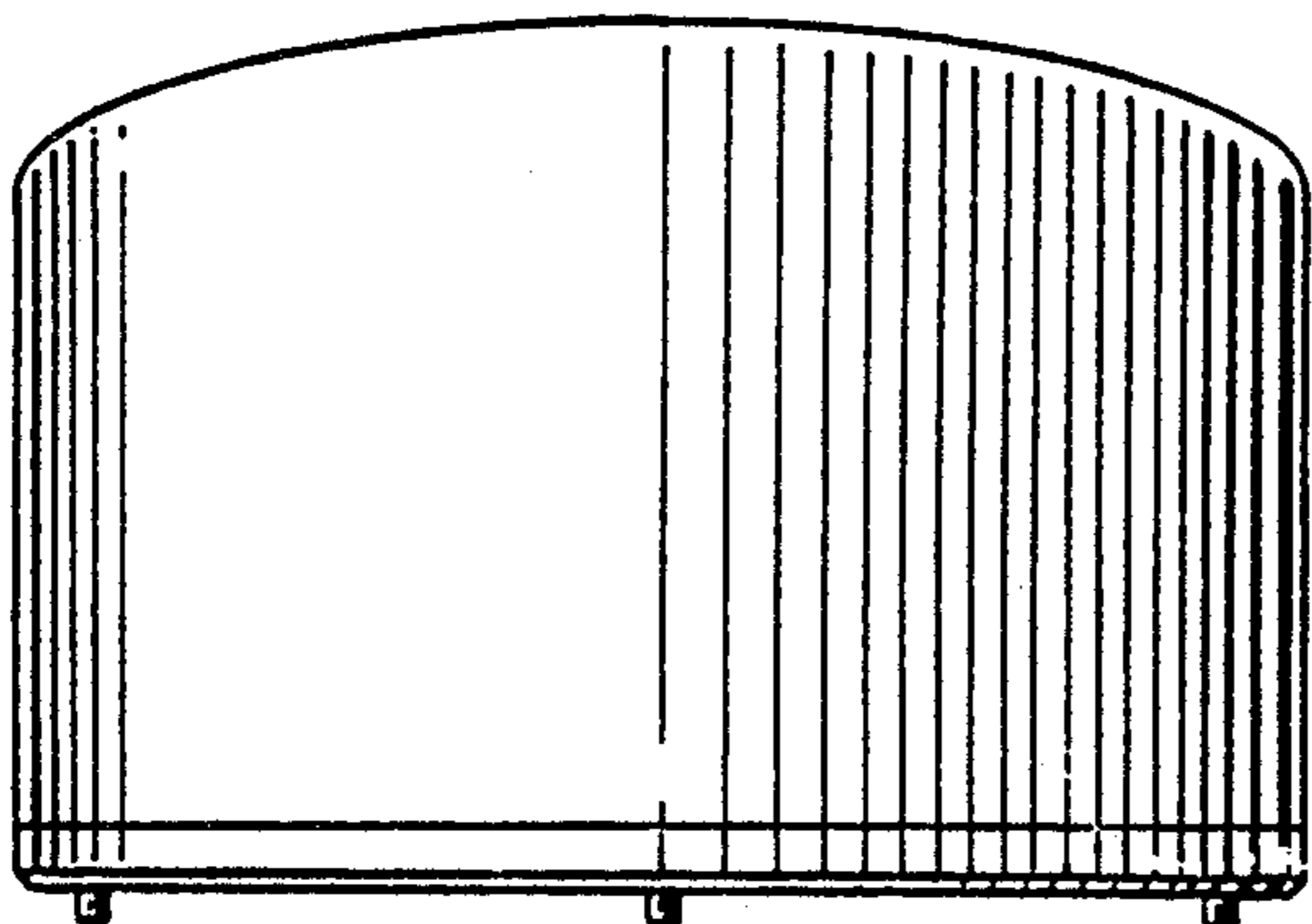


FIG. 5

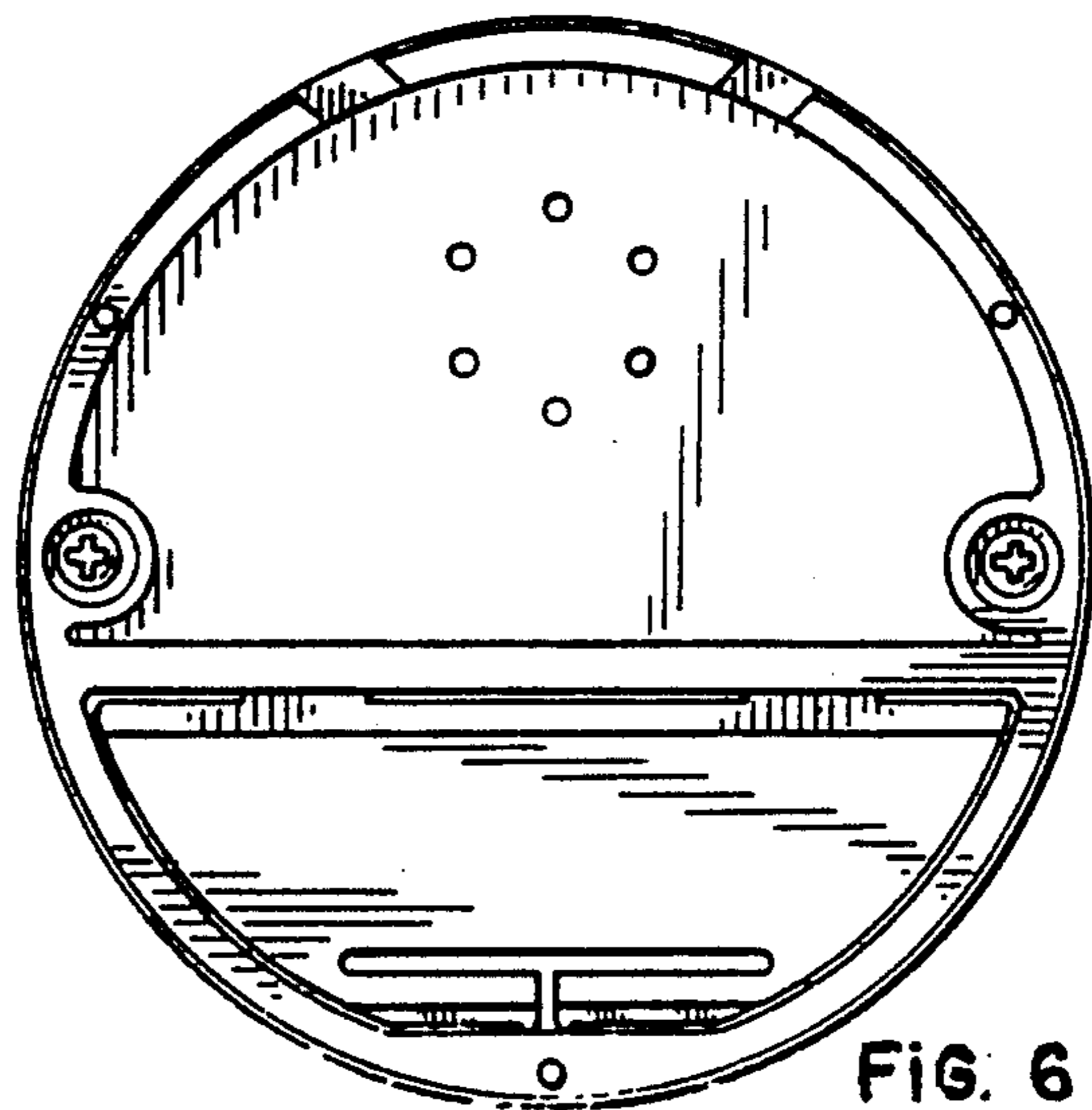


FIG. 6