



US00D325588S

United States Patent [19]

[11] Patent Number: **Des. 325,588**

Bohrer

[45] Date of Patent: **** Apr. 21, 1992**

[54] **JIG SAW**

[75] Inventor: **Alphonse S. Bohrer, St. Louis, Mo.**

[73] Assignee: **Laborsaber, Inc., St. Louis, Mo.**

[**] Term: **14 Years**

[21] Appl. No.: **567,321**

[22] Filed: **Aug. 6, 1990**

[52] U.S. Cl. **D15/133**

[58] Field of Search **D15/133, 127; 83/782, 83/783, 786**

4,455,909 6/1984 Wilbs 83/783 X

4,616,541 10/1986 Eccardt et al. 83/782 X

4,813,322 3/1989 Rice 83/783 X

4,841,823 6/1989 Brundage 83/783 X

4,949,616 8/1990 Chang 83/782 X

Primary Examiner—Donald P. Walsh
Assistant Examiner—Antoine D. Davis
Attorney, Agent, or Firm—Kalish & Gilster

[57] CLAIM

The ornamental design for a jig saw, as shown and described.

DESCRIPTION

FIG. 1 is a left side elevational view of a jig saw showing my new design;
 FIG. 2 is a front elevational view;
 FIG. 3 is a rear elevational view;
 FIG. 4 is a right side elevational view;
 FIG. 5 is a top plan view;
 FIG. 6 is a top, front and right side perspective view; and,
 FIG. 7 is a bottom plan view thereof.

[56] **References Cited**
U.S. PATENT DOCUMENTS

D. 173,648 12/1954 Emrick D15/133 X

D. 173,891 1/1955 Beale et al. D15/133

D. 174,116 3/1955 Dremel D15/133

D. 285,695 9/1986 Miller, Jr. D15/133

D. 290,369 6/1987 Eccardt et al. D15/133

2,692,622 10/1954 Heese 83/786 X

3,152,625 10/1964 Bohrer .

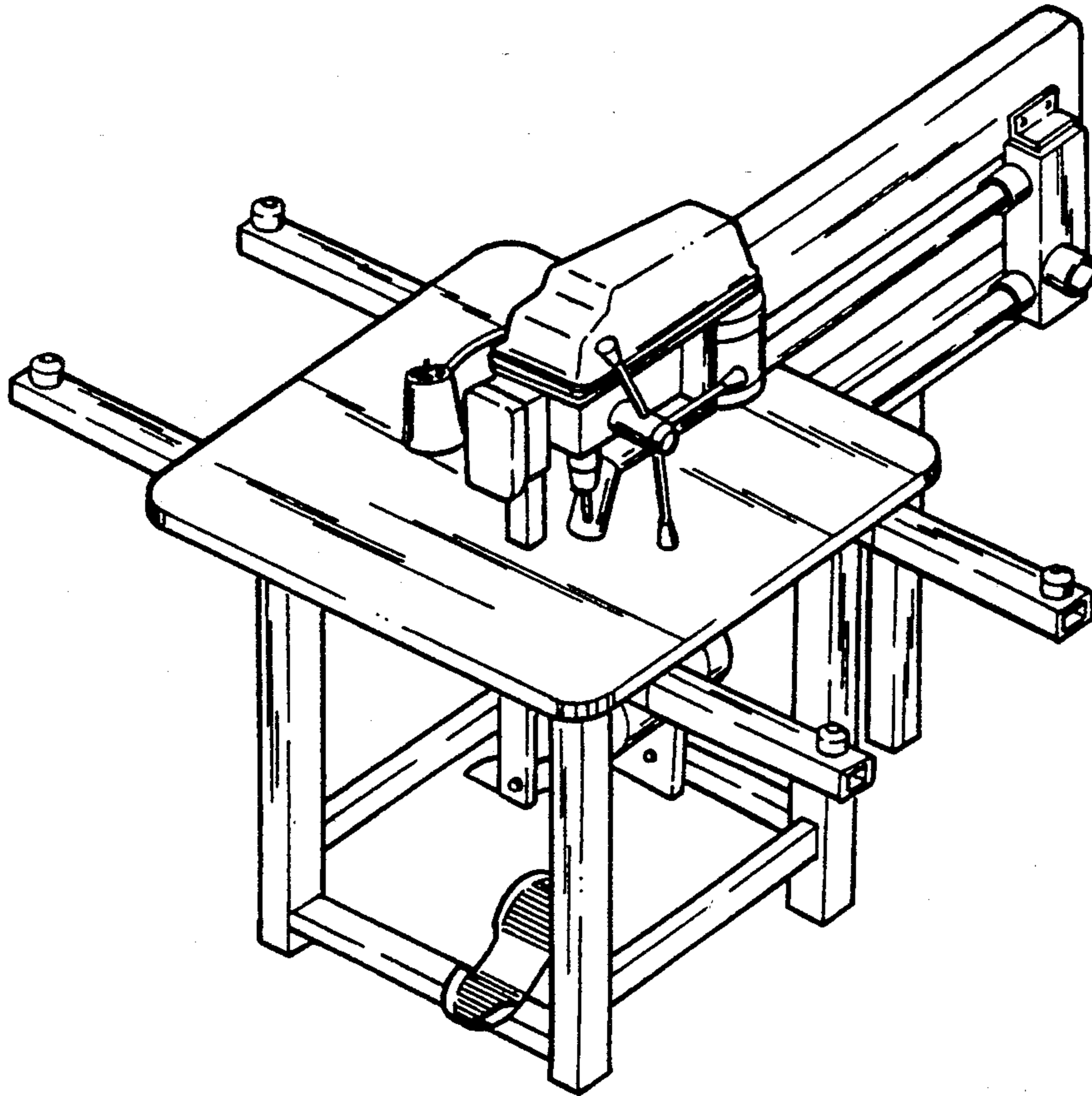


FIG. 1

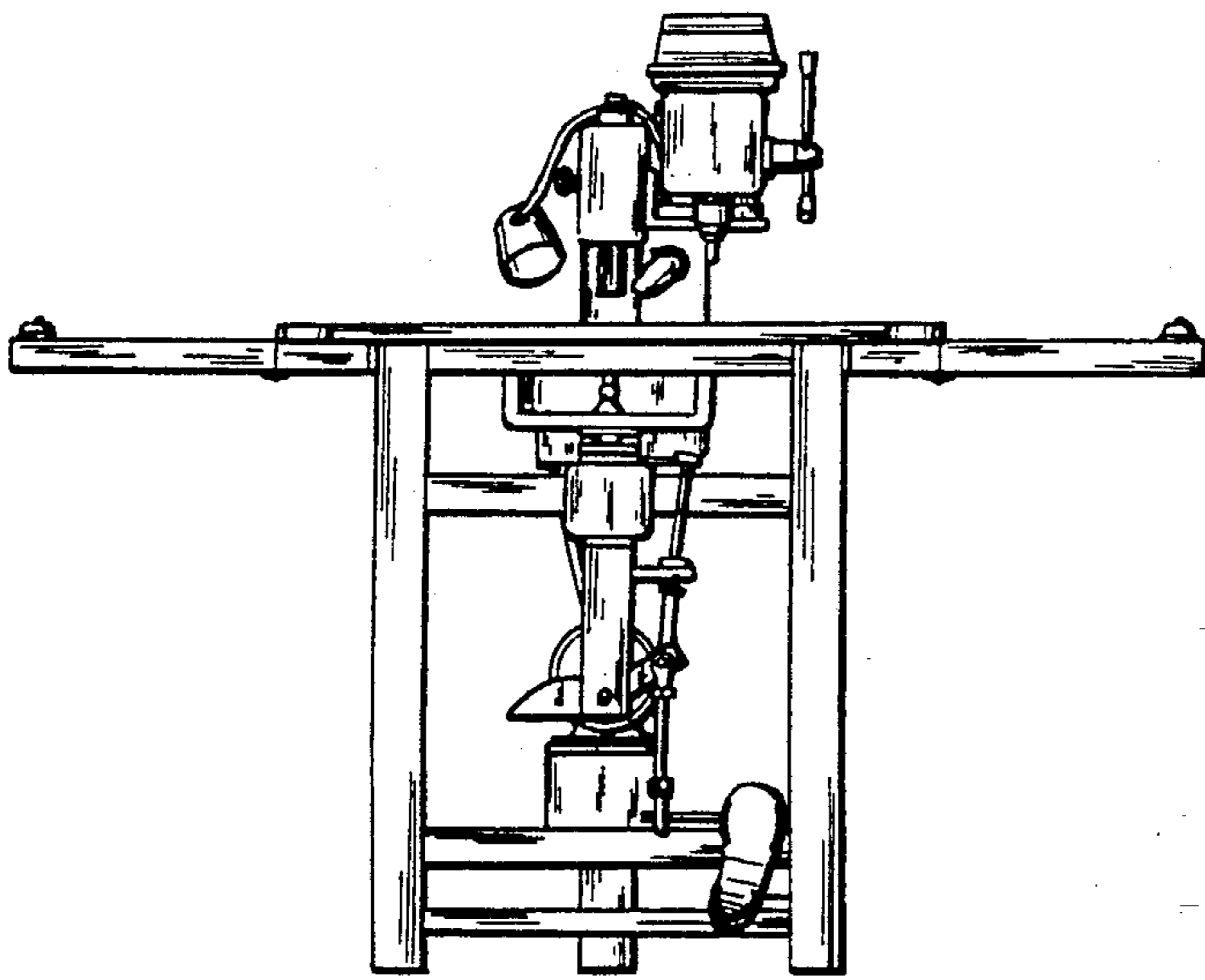
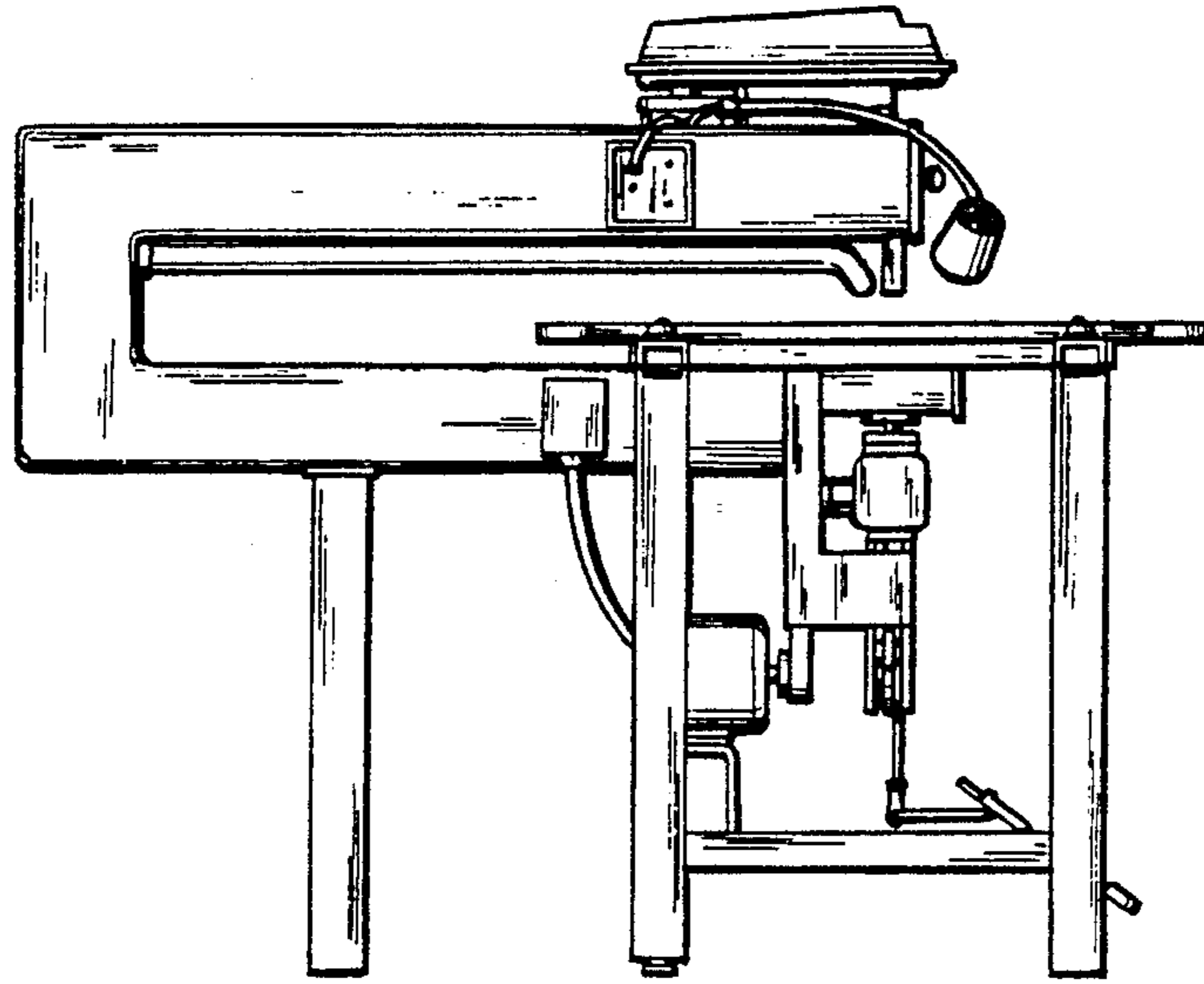


FIG. 2

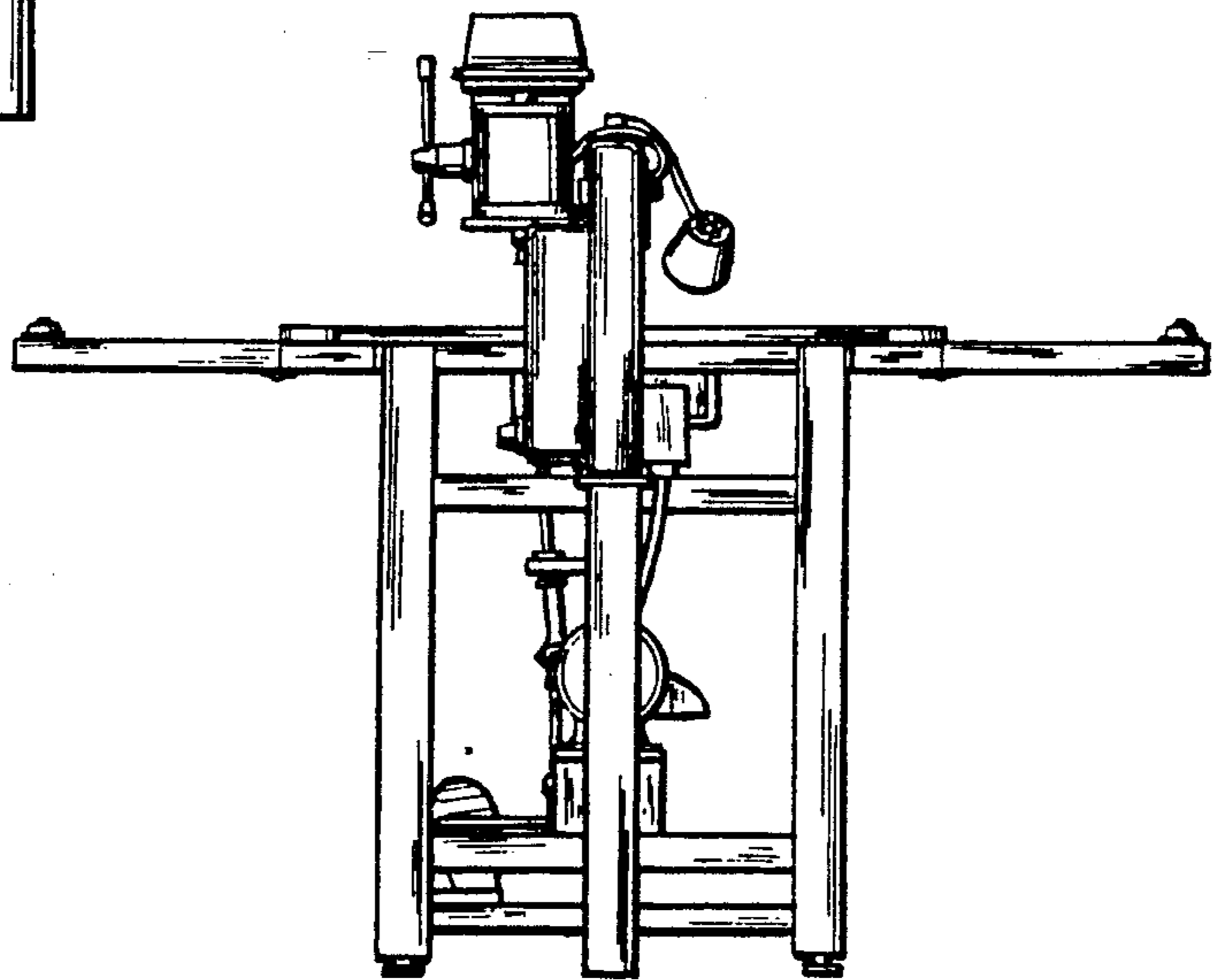


FIG. 3

FIG. 4

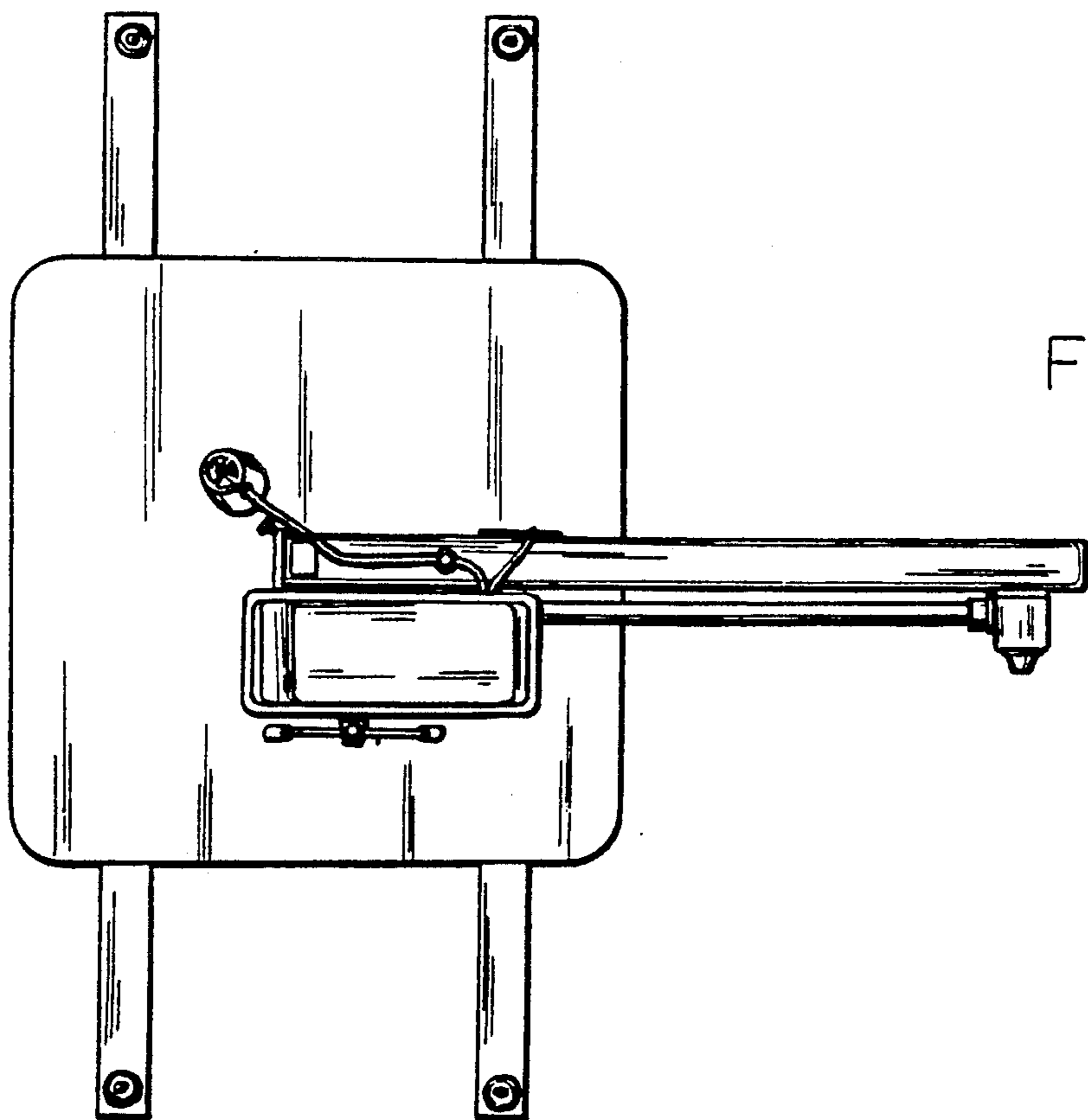
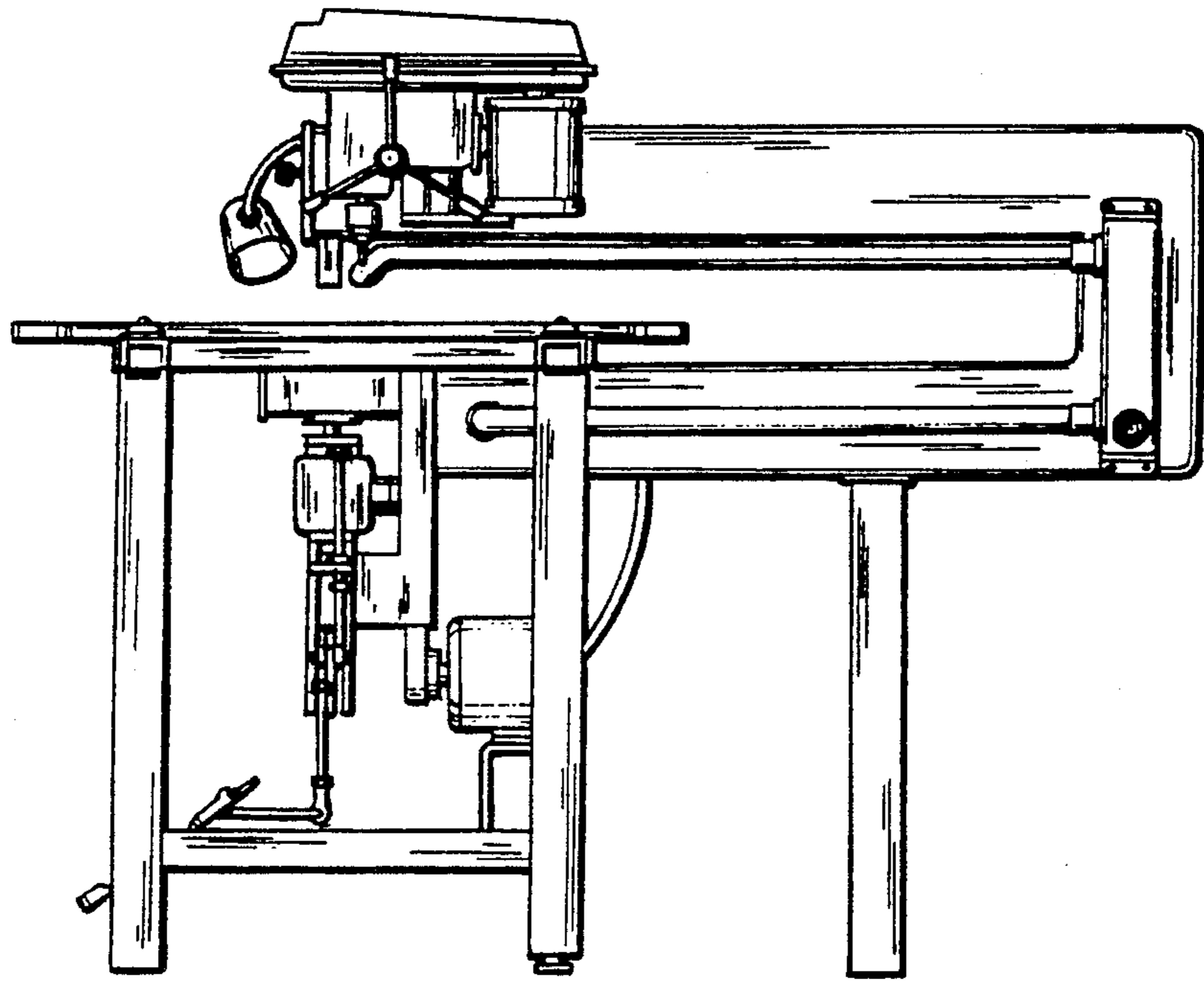


FIG. 5

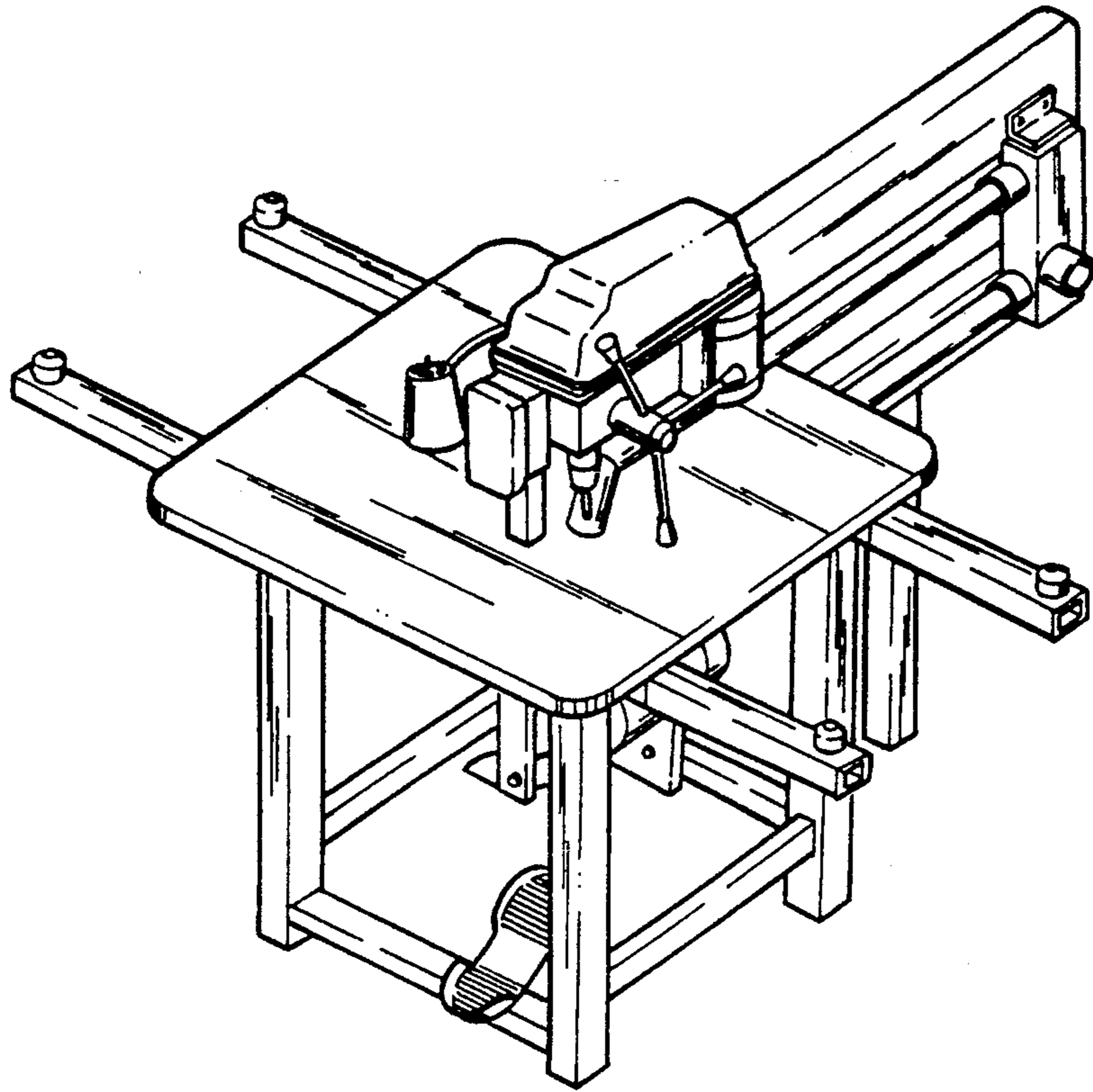


FIG. 6

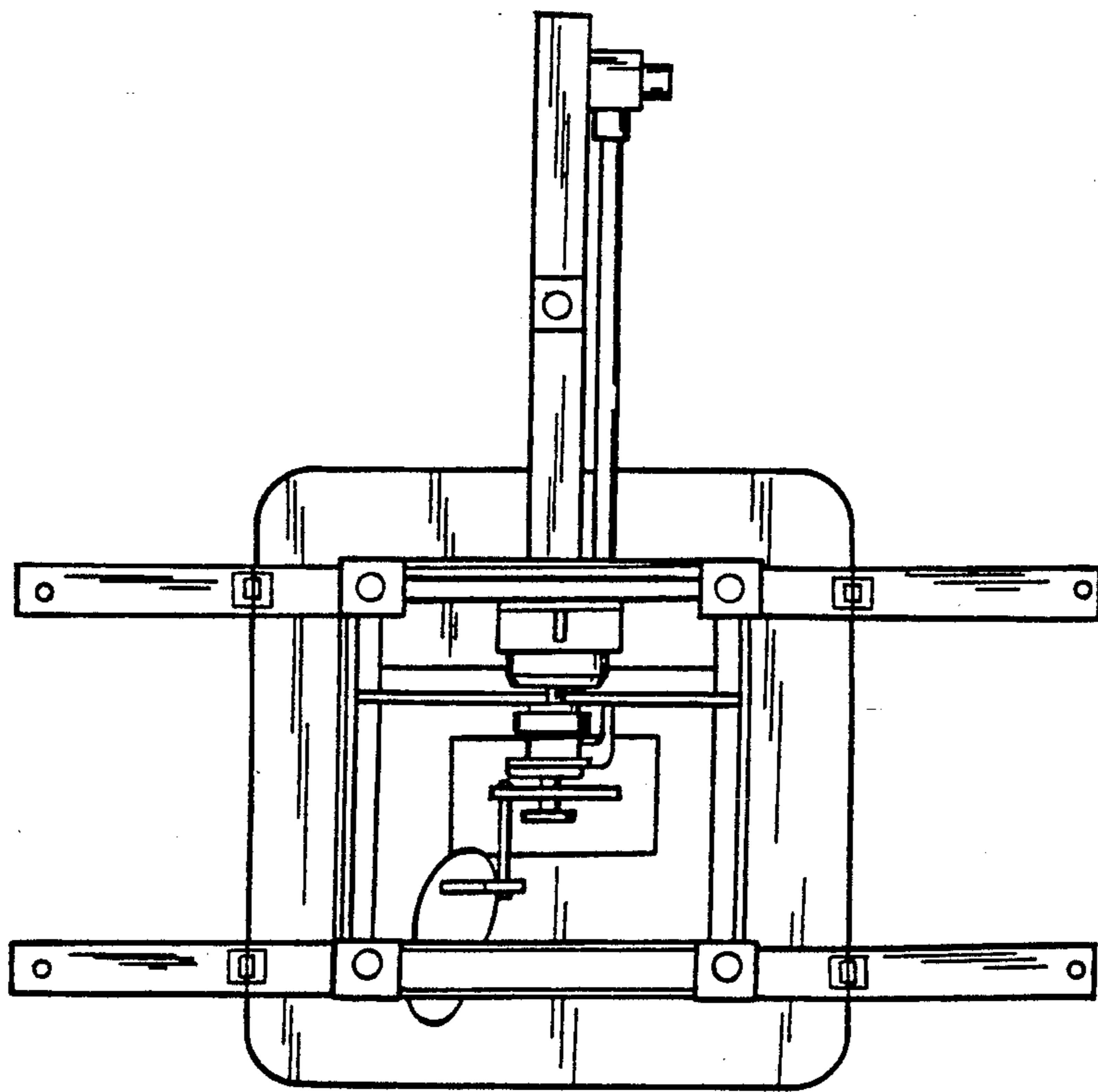


FIG. 7