



US00D325582S

# United States Patent [19]

[11] Patent Number: **Des. 325,582**

Emmons et al.

[45] Date of Patent: **\*\* Apr. 21, 1992**

[54] **OMINDIRECTIONAL REMOTE CONTROLLER FOR TELEVISION RECEIVERS AND THE LIKE**

### FOREIGN PATENT DOCUMENTS

0127236 7/1983 Japan .

[75] Inventors: **Lawrence D. Emmons, Grass Valley; Douglas M. Patton, Irvine, both of Calif.**

### OTHER PUBLICATIONS

"The Ultimate in Control Simplicity Delivered by New Software in the VPR-3," Ampex Brochure, 1986.

[73] Assignee: **Mitsubishi Electric Sales America, Inc., Cypress, Calif.**

*Primary Examiner*—Terry A. Pfeffer  
*Attorney, Agent, or Firm*—Knobbe, Martens, Olson & Bear

[\*\*] Term: **14 Years**

### [57] CLAIM

[21] Appl. No.: **430,657**

The ornamental design for an omnidirectional remote controller for television receivers and the like, as shown.

[22] Filed: **Nov. 2, 1989**

[52] U.S. Cl. .... **D14/218**

### DESCRIPTION

[58] Field of Search ..... **D14/217, 218, 299, 192; D13/168; 358/194.1; 455/151, 325.55, 603, 605**

FIG. 1 is a perspective view of a omnidirectional remote controller for television receivers and the like showing our new design;

### [56] References Cited

#### U.S. PATENT DOCUMENTS

D. 219,028	10/1970	Miller et al. .	
D. 232,863	9/1974	Tong .....	D14/192
D. 266,416	10/1982	Hiraki .	
D. 281,776	12/1985	Griffin .....	D13/168
D. 298,942	12/1988	Pieratt .	
D. 300,831	4/1989	Jenkins et al. .	
D. 301,332	5/1989	Schwartz .....	D13/168 X
4,333,090	6/1982	Hirsch .	
4,623,887	11/1986	Welles, II .	
4,626,847	12/1986	Zato .	
4,626,848	12/1986	Ehlers .	
4,728,949	3/1988	Platte et al. .	
4,866,434	9/1989	Keenan .	

FIG. 2 is a front elevational view thereof;

FIG. 3 is a rear elevational view thereof;

FIG. 4 is a top plan view thereof;

FIG. 5 is a left side elevational view thereof;

FIG. 6 is a right side elevational view thereof;

FIG. 7 is a bottom plan view thereof;

FIG. 8 is a perspective view of an alternate embodiment of FIG. 1;

FIG. 9 is a front elevational view of FIG. 8;

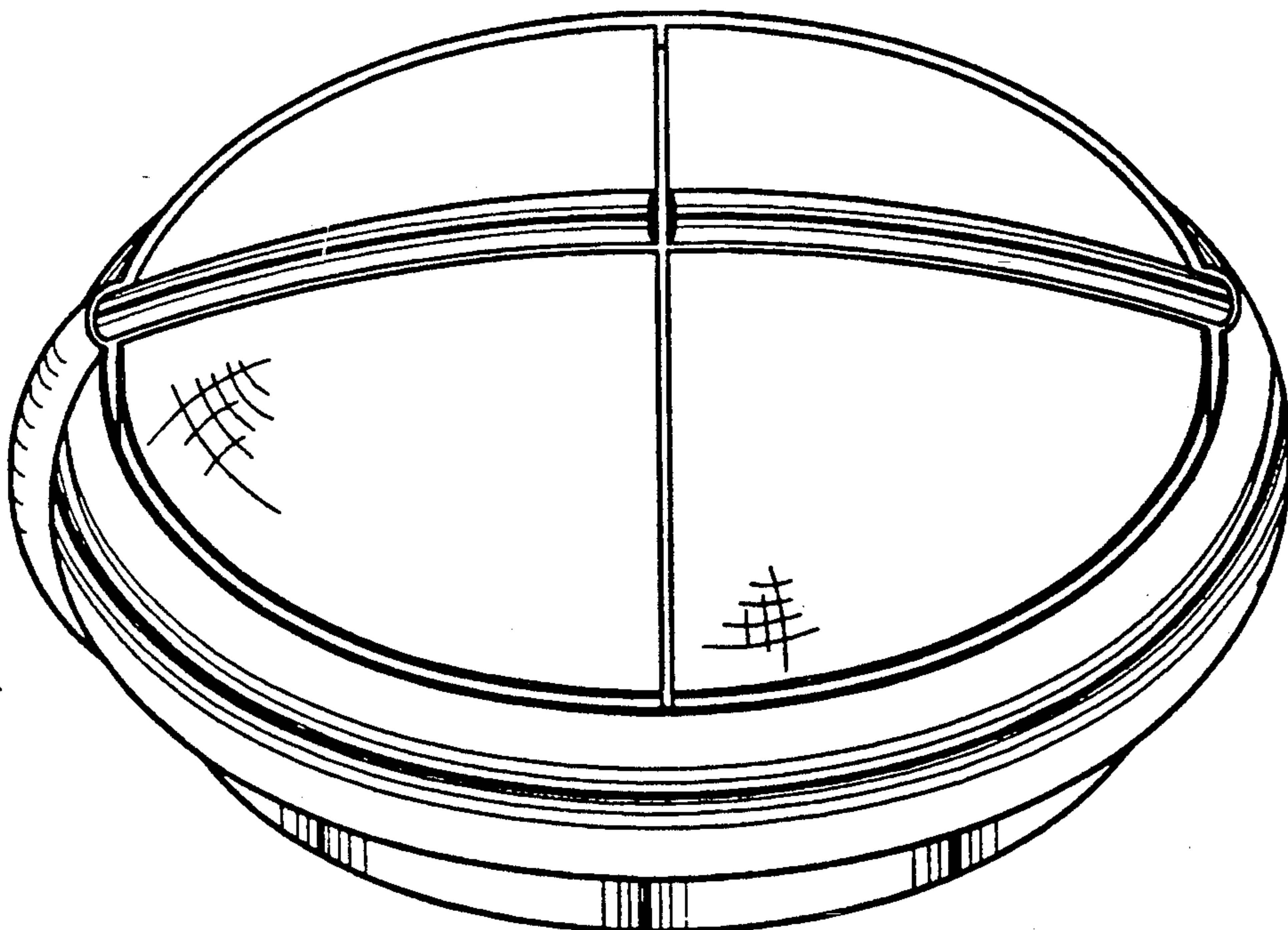
FIG. 10 is a rear elevational view of FIG. 8;

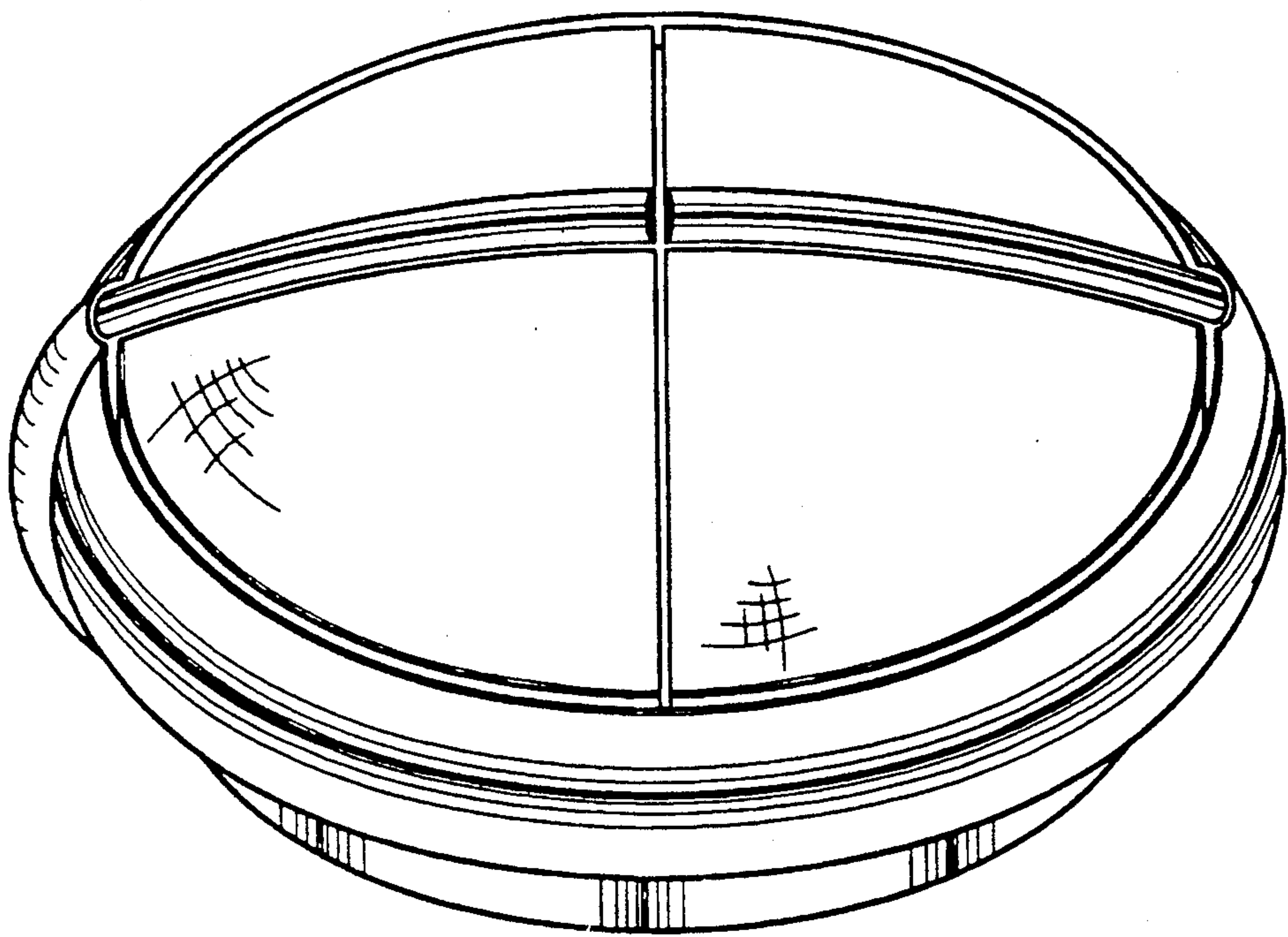
FIG. 11 is a top plan view of FIG. 8;

FIG. 12 is a left side elevational view of FIG. 8;

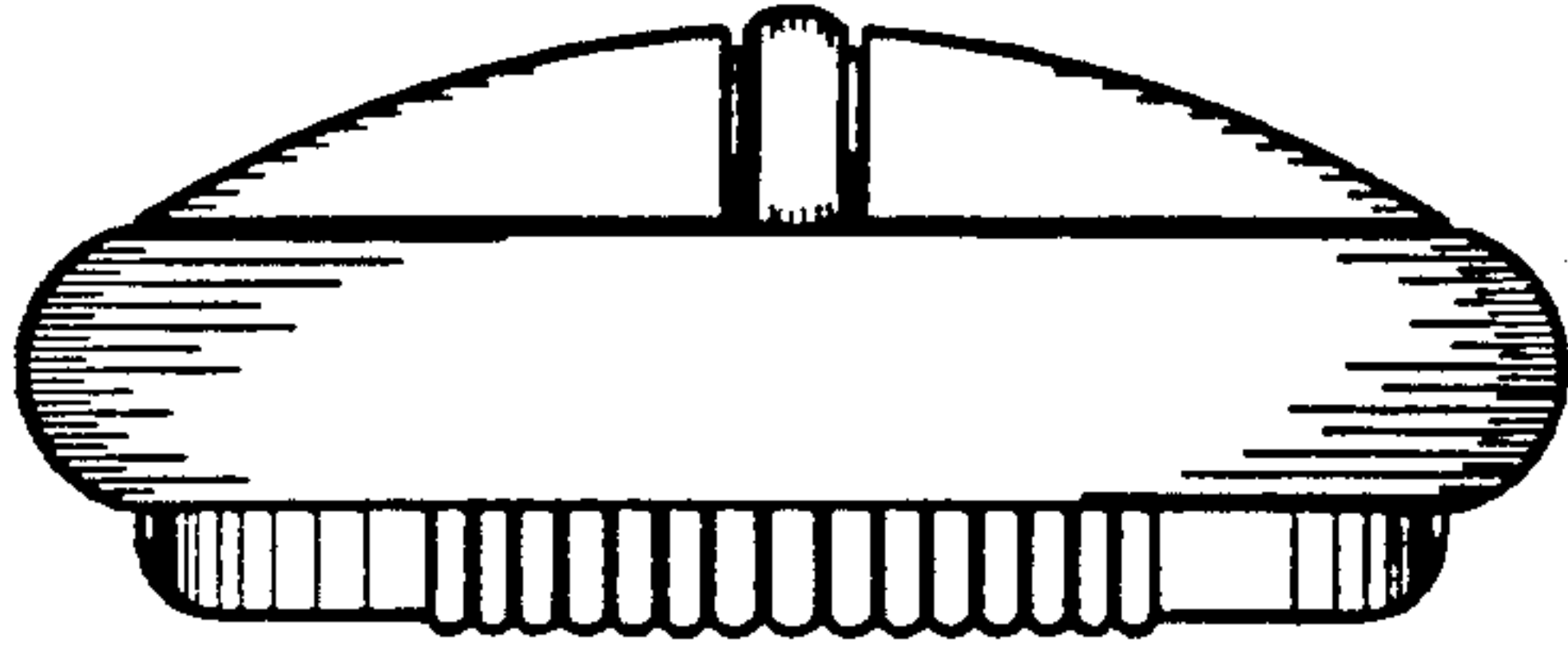
FIG. 13 is a right side elevational view of FIG. 8; and,

FIG. 14 is a bottom plan view of FIG. 8.

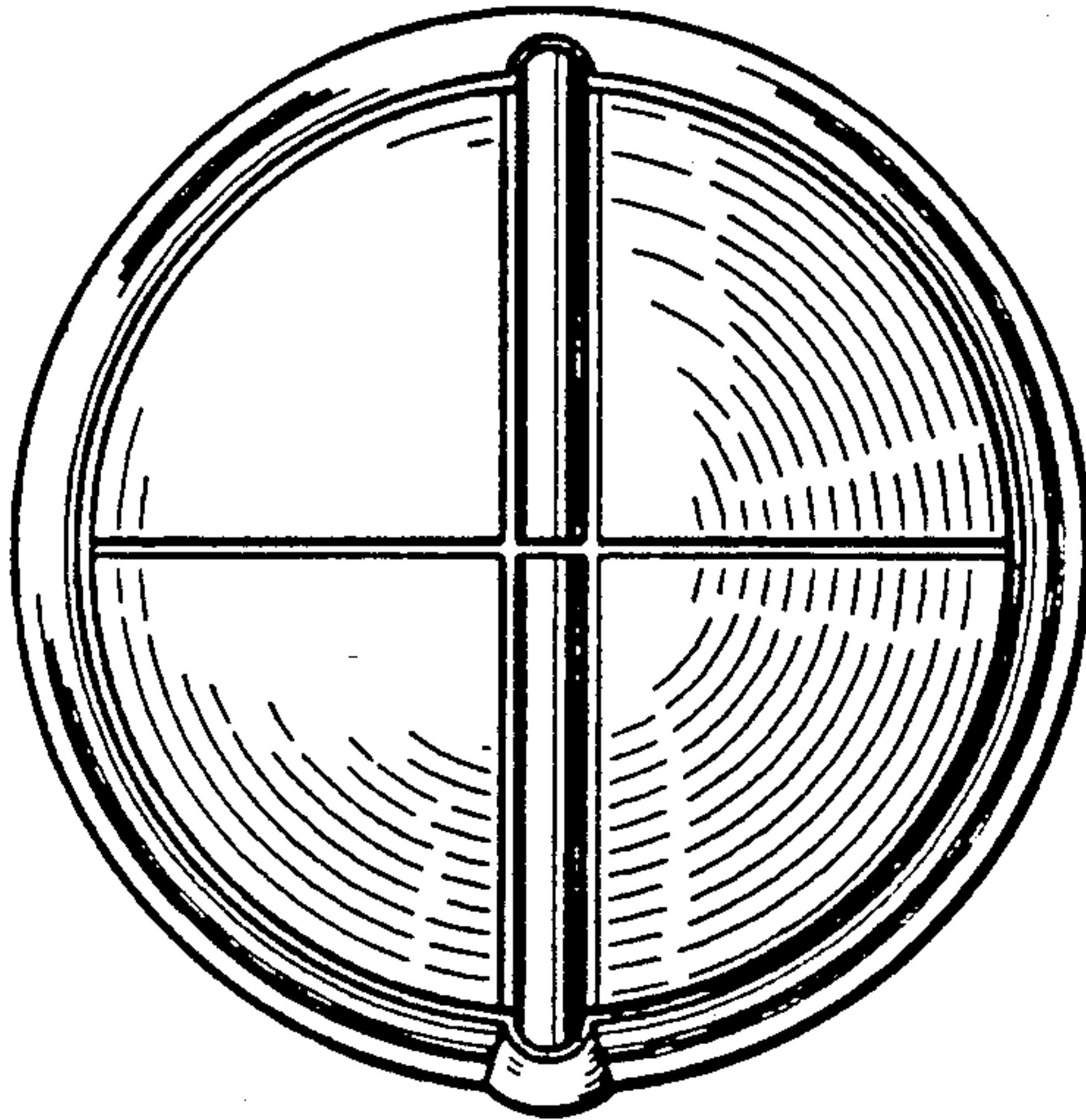




*Fig. 1*

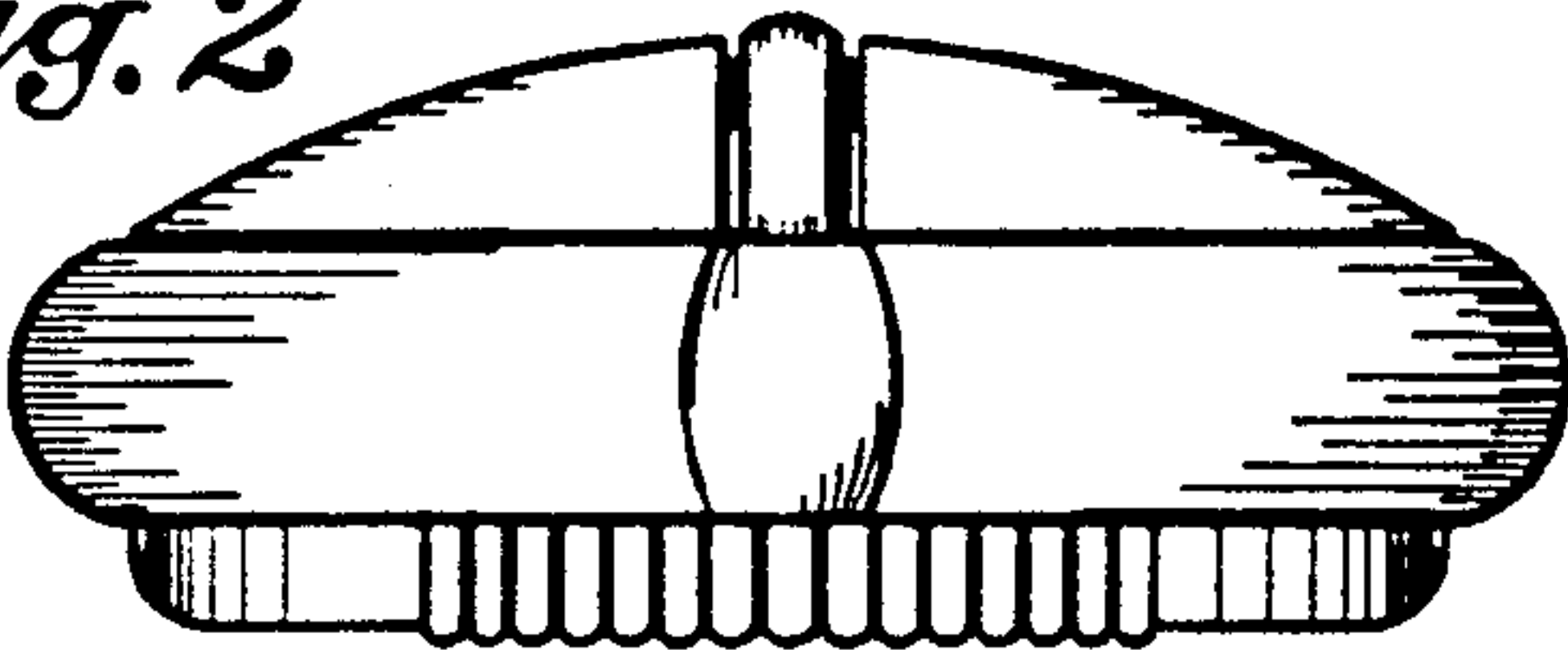


*Fig. 3*

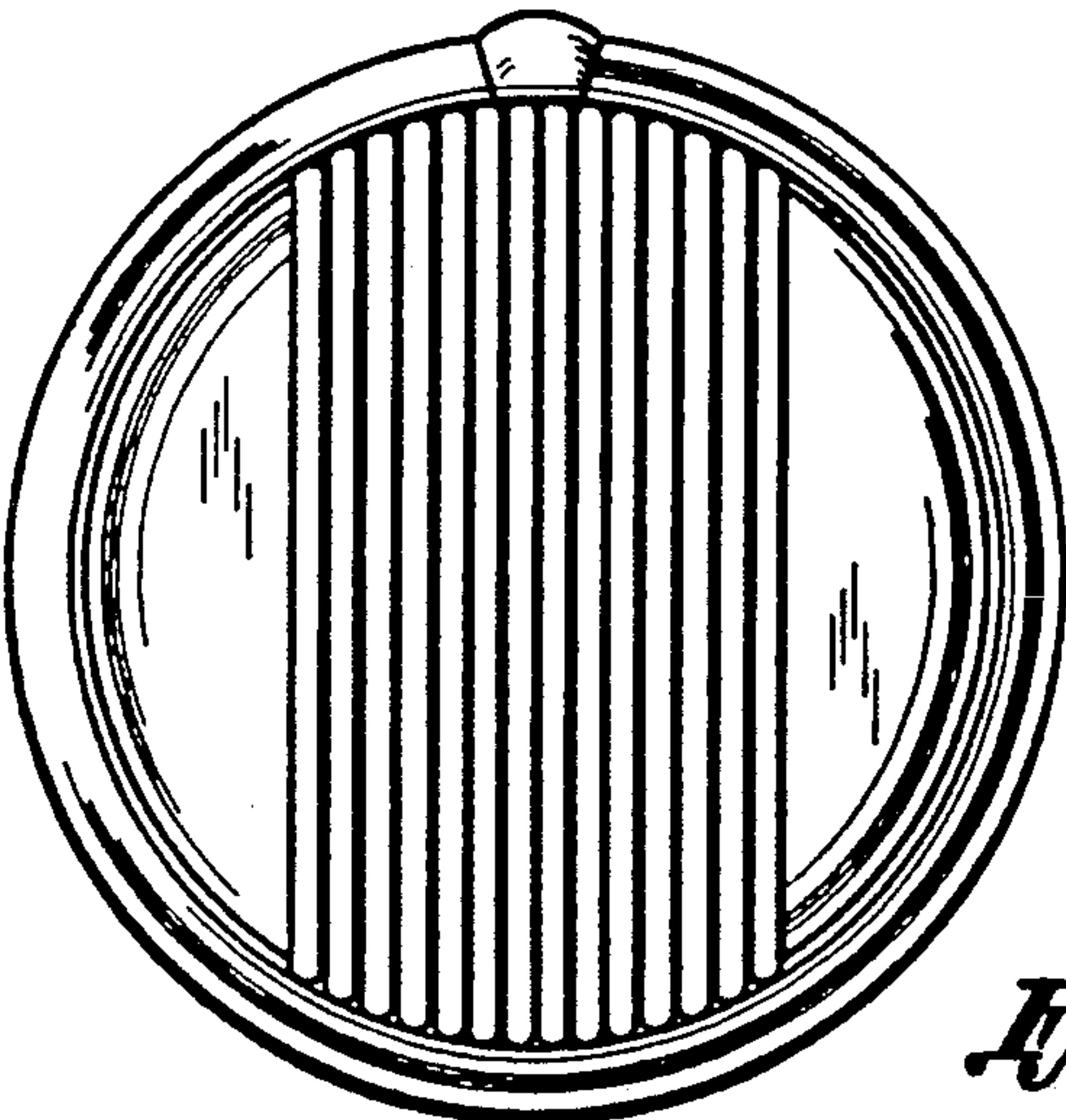
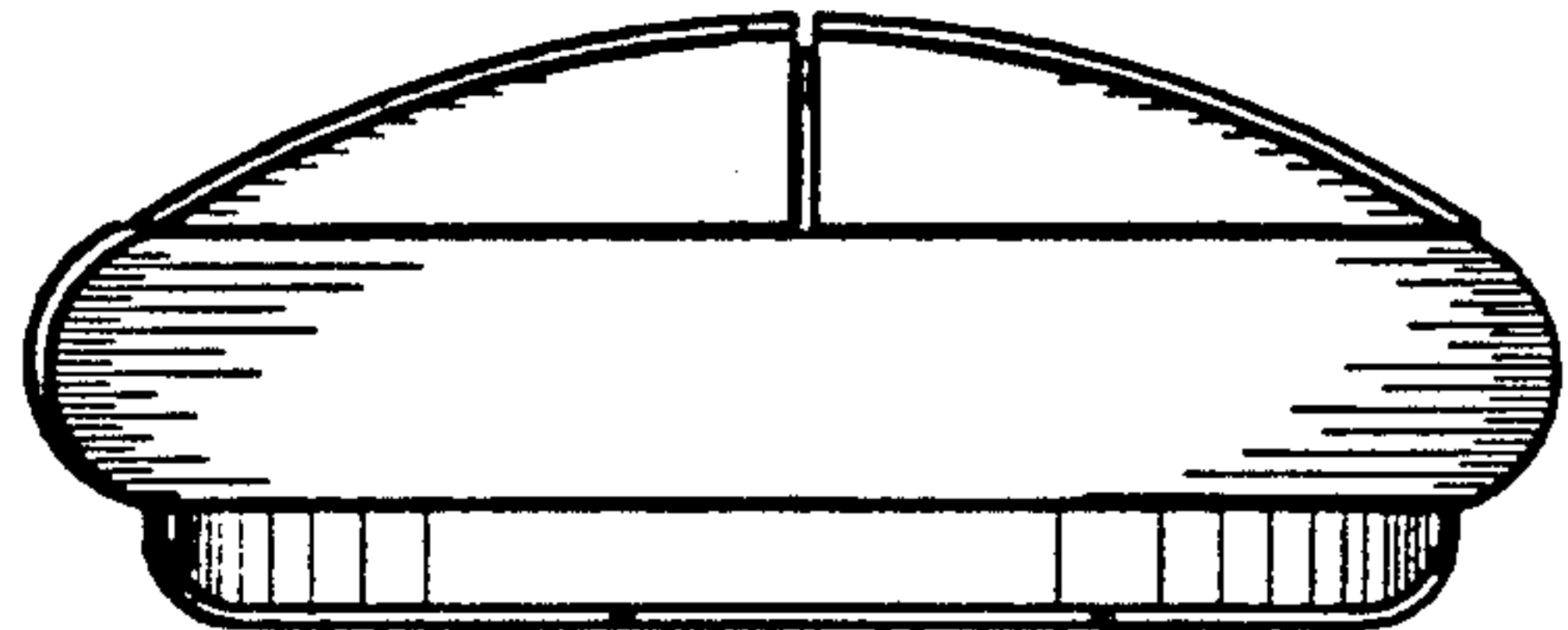


*Fig. 4*

*Fig. 2*

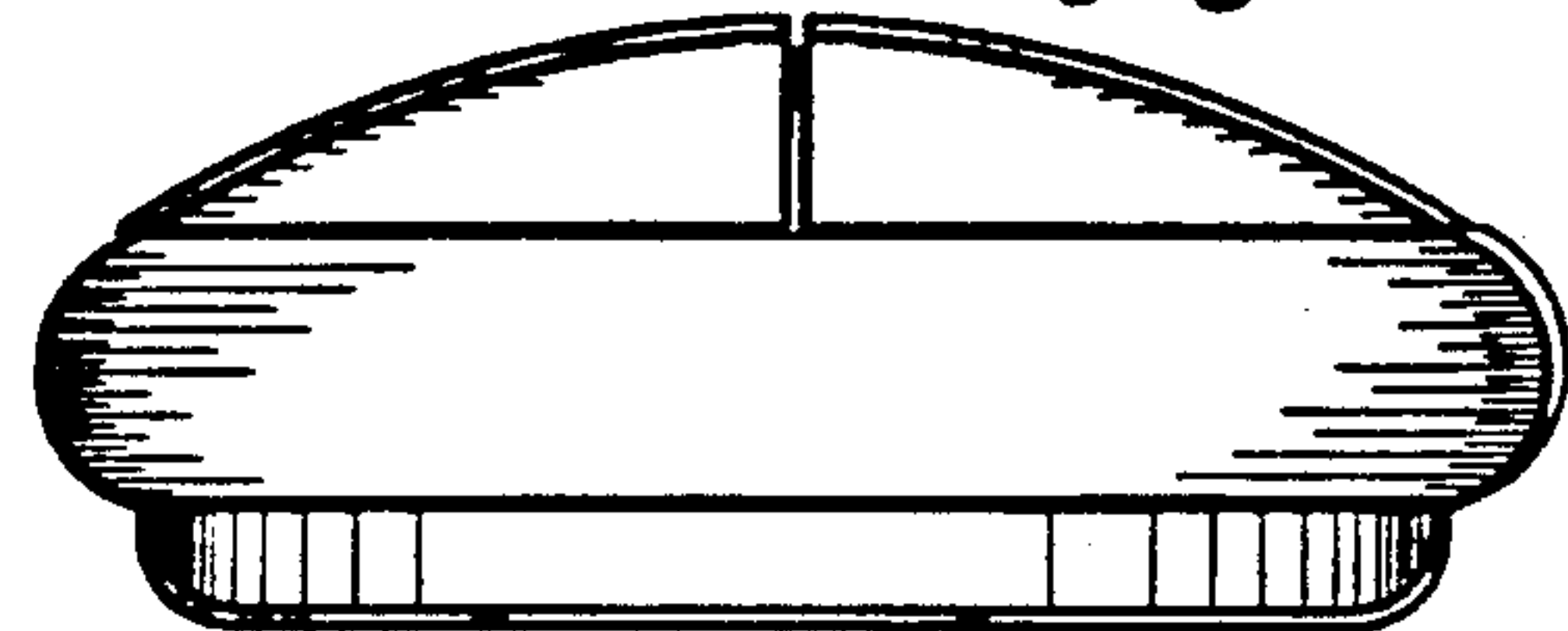


*Fig. 5*

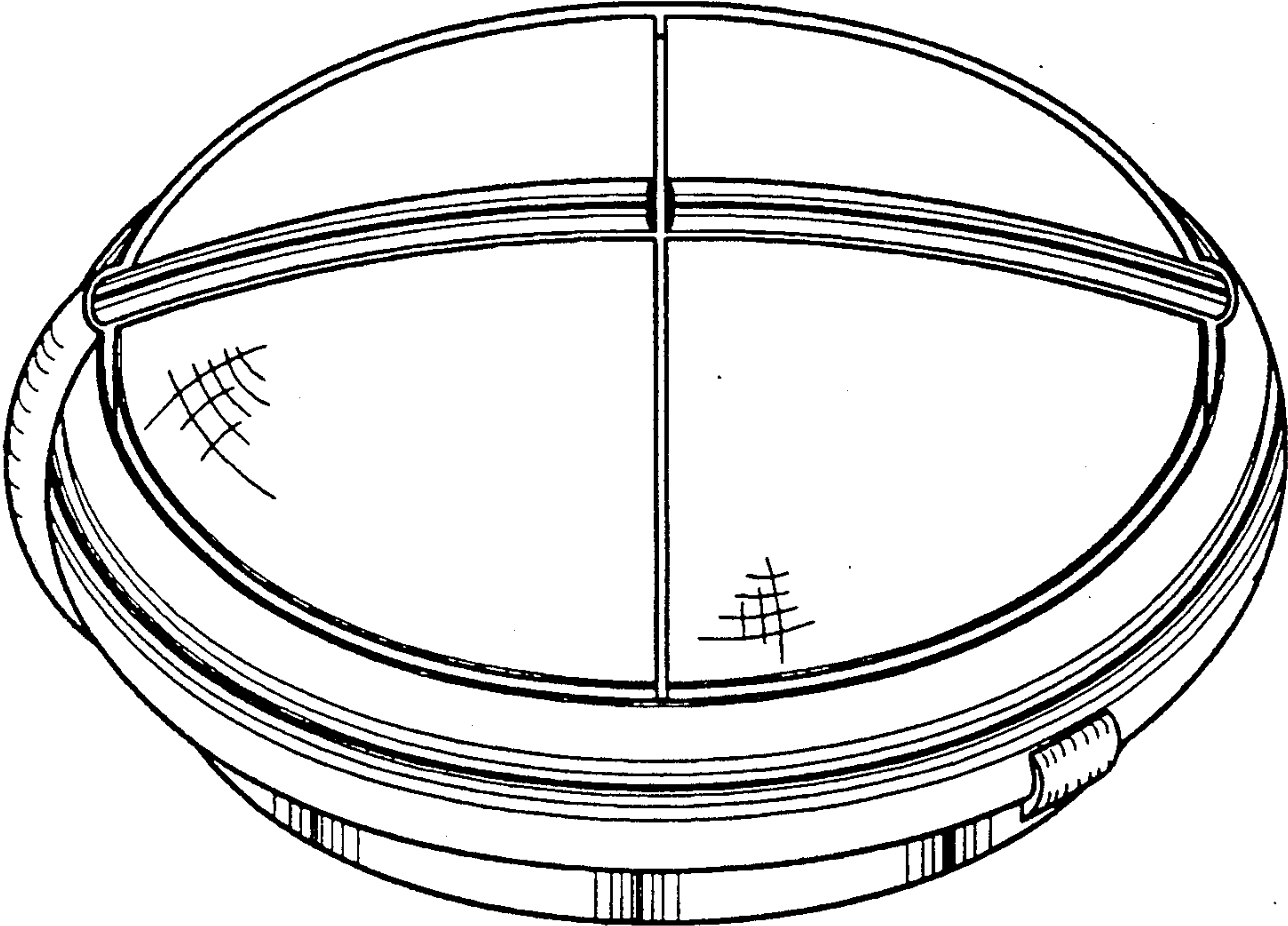


*Fig. 7*

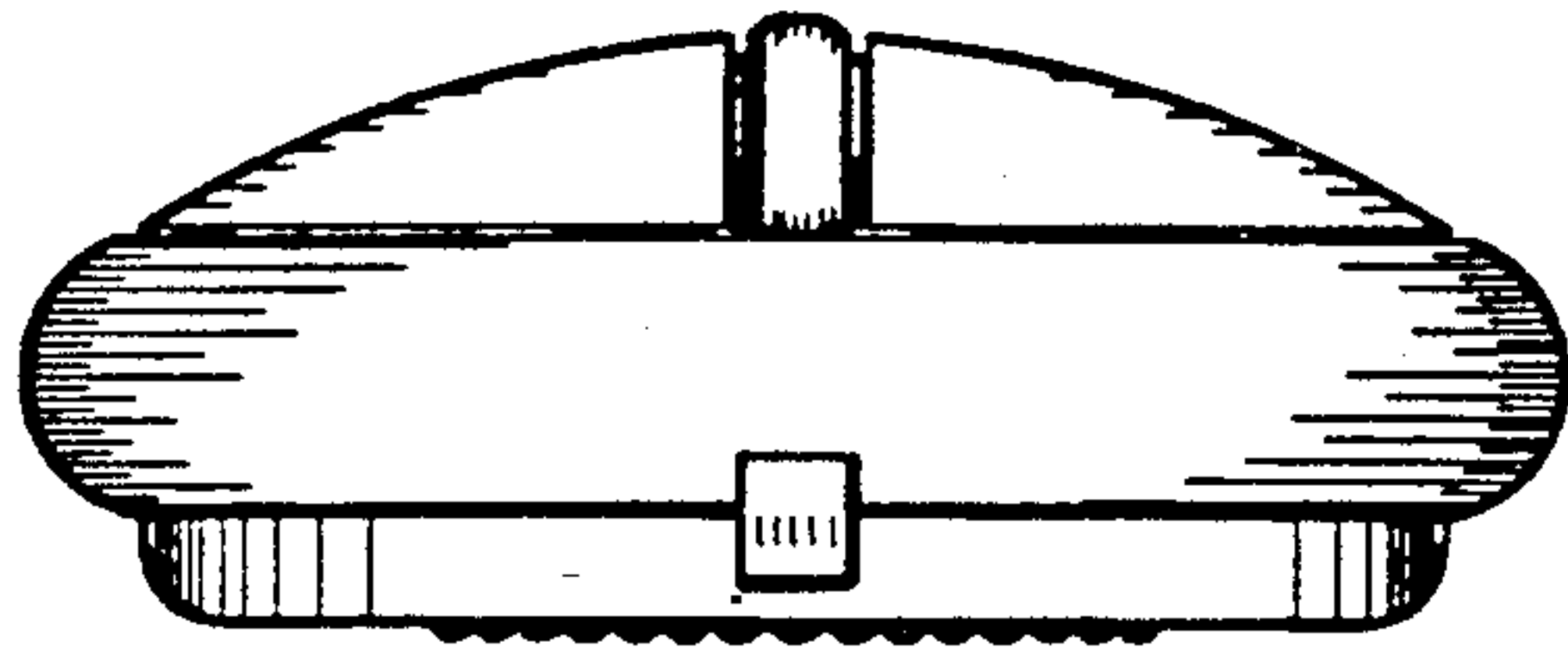
*Fig. 6*



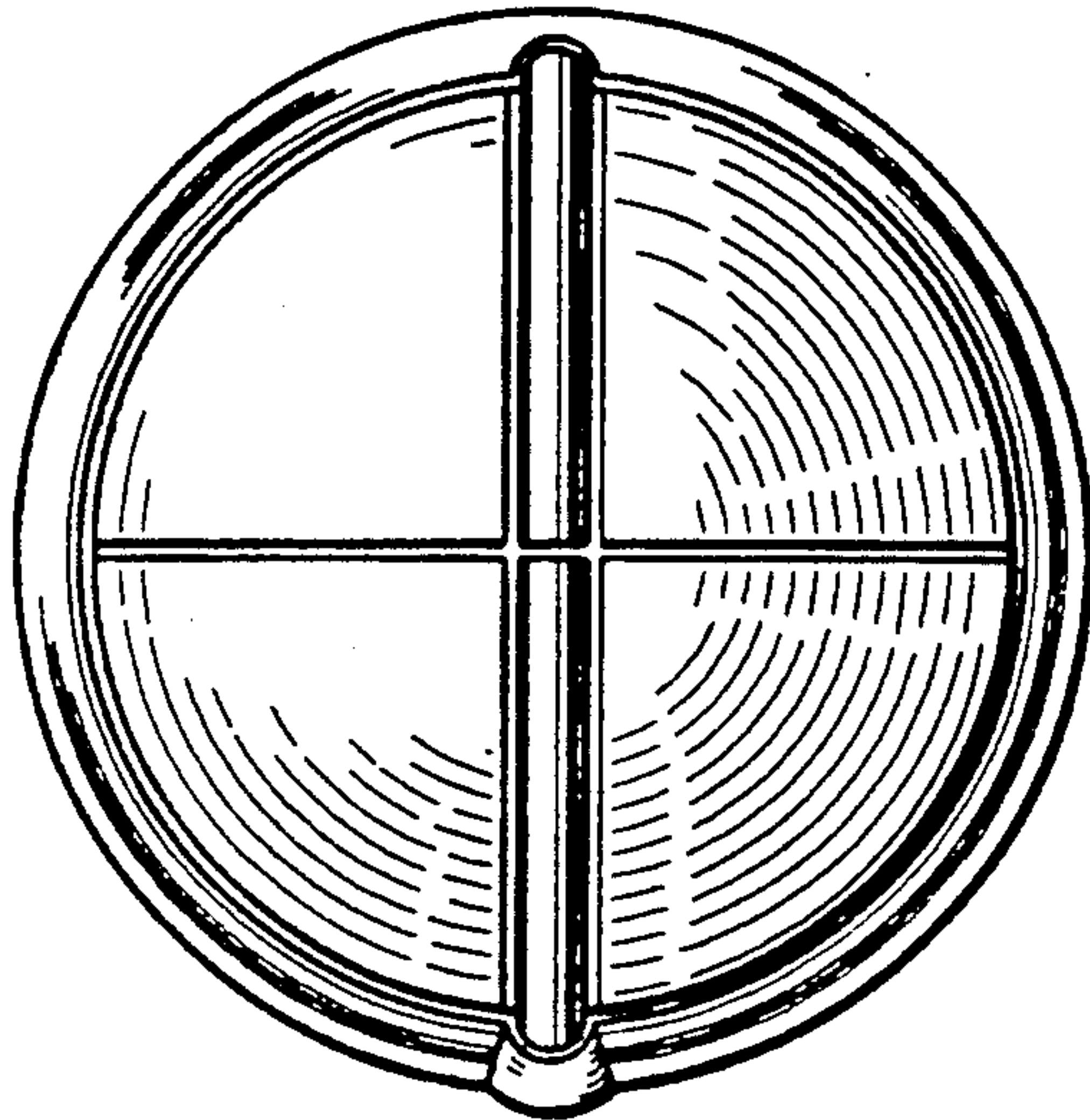




*Fig. 8*

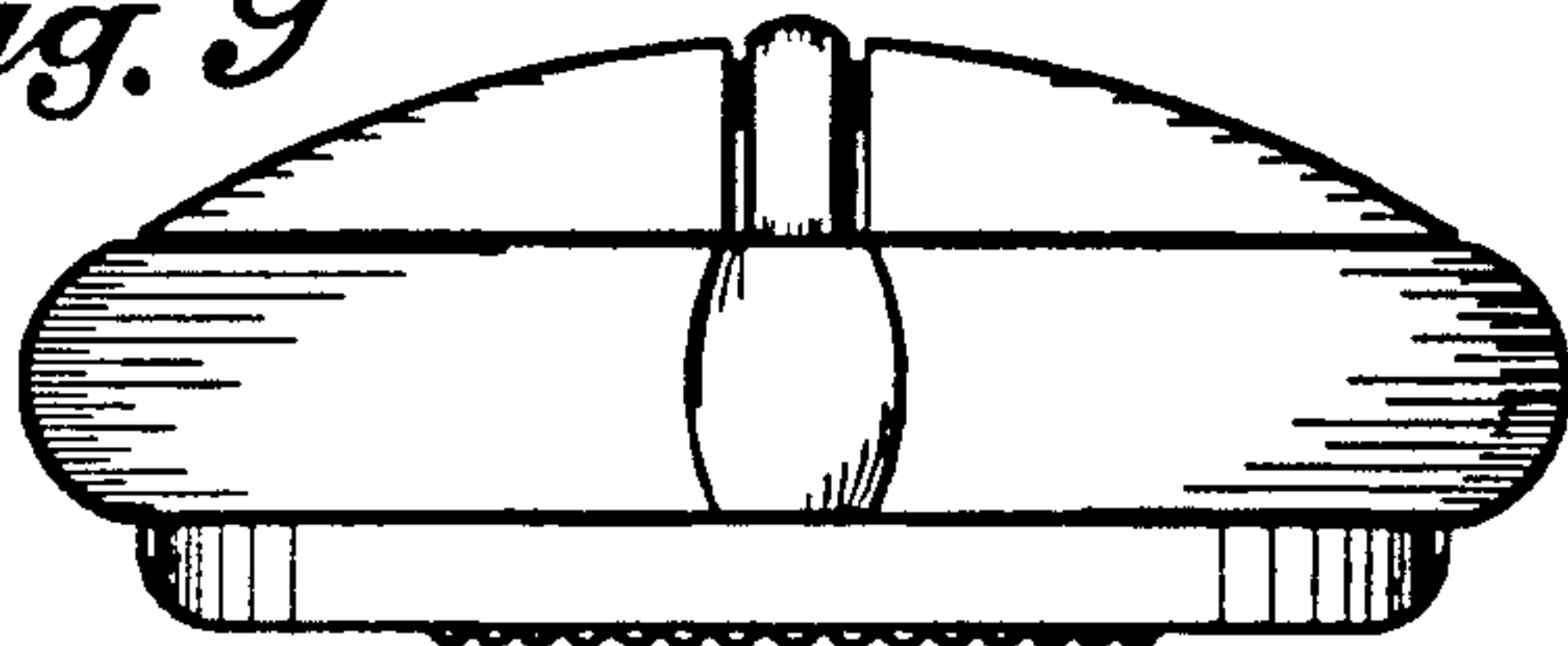


*Fig. 10*

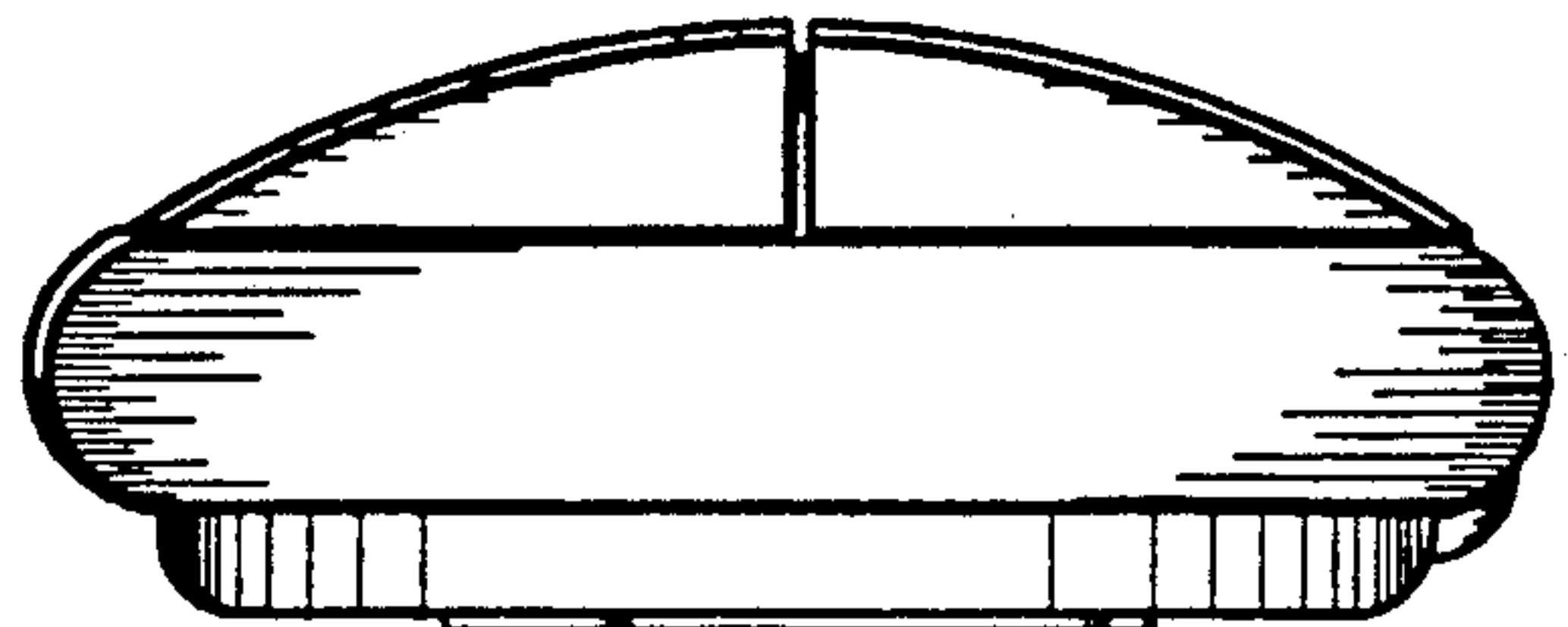


*Fig. 11*

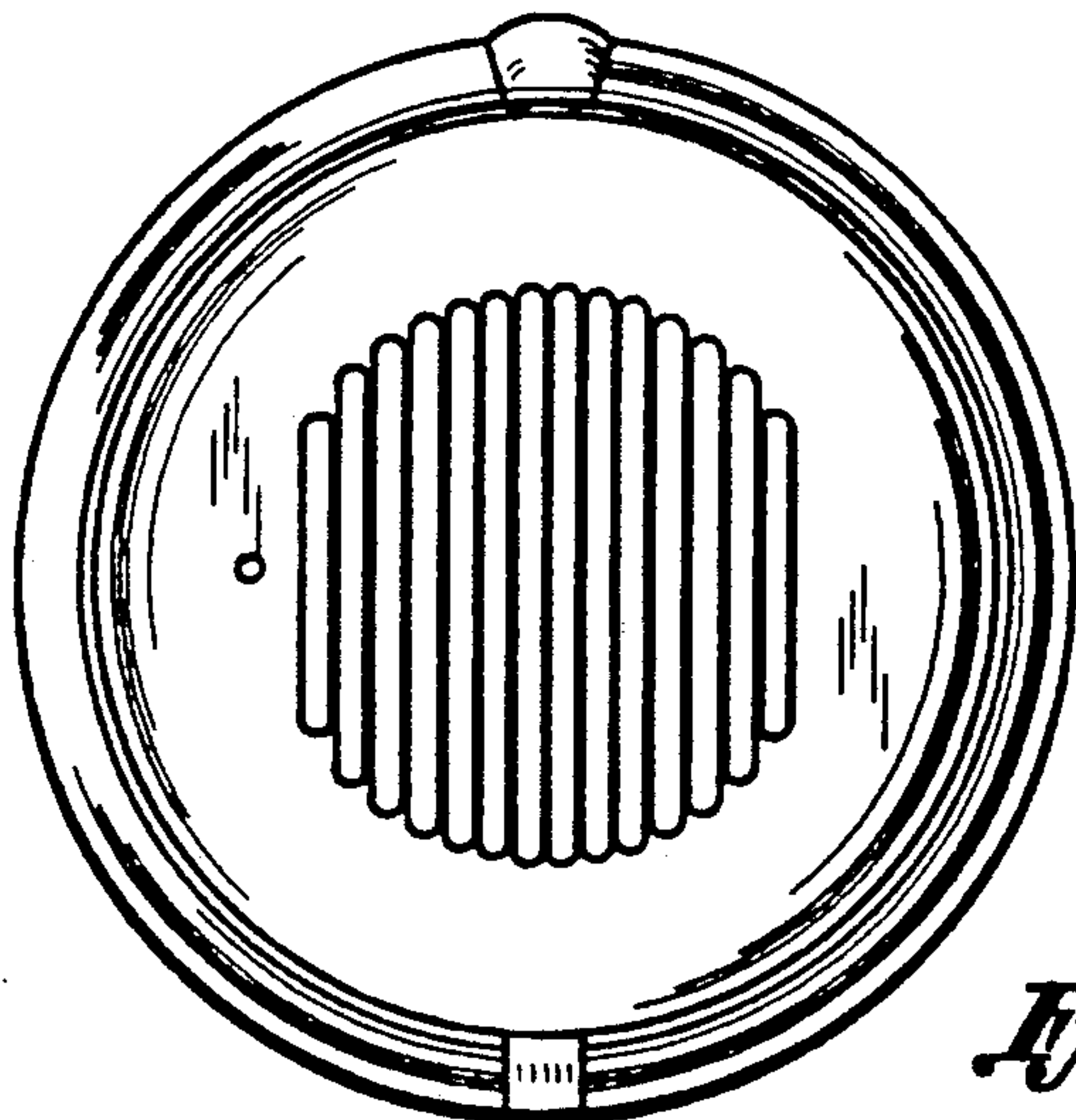
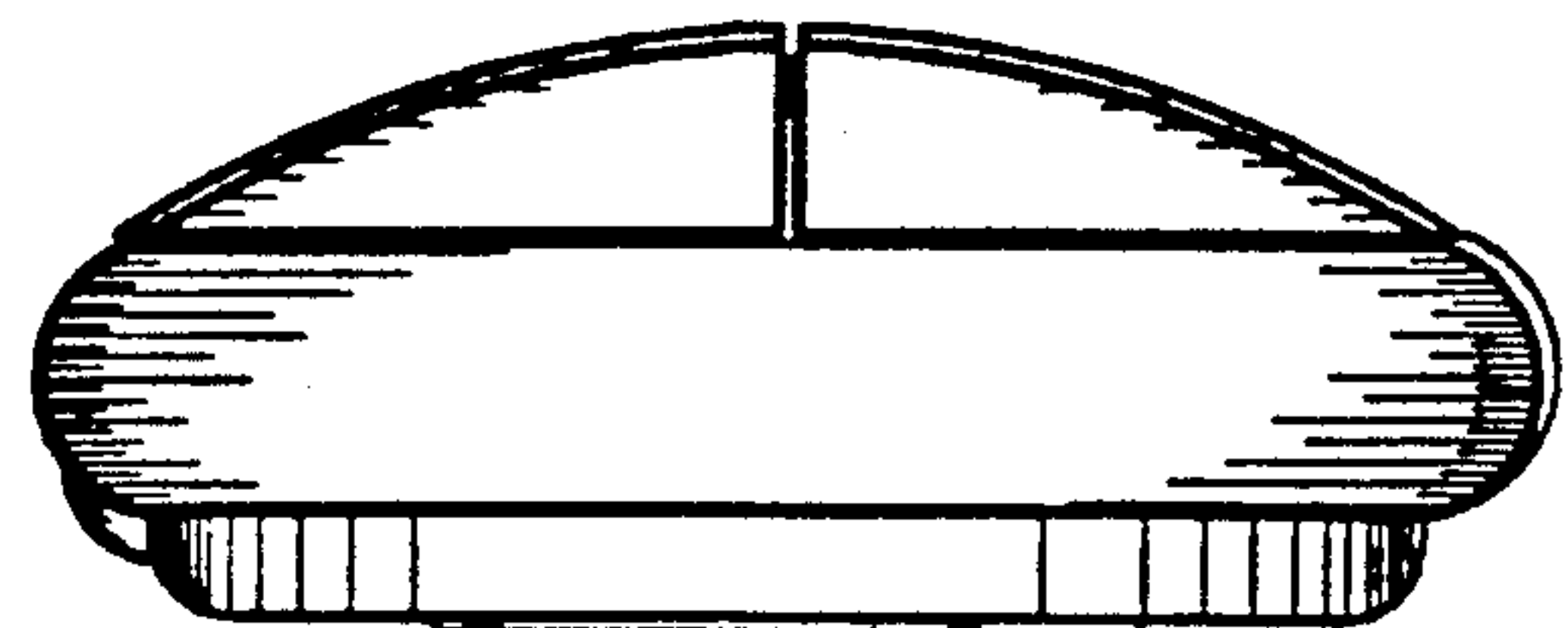
*Fig. 9*



*Fig. 12*



*Fig. 13*



*Fig. 14*