



US00D325575S

United States Patent [19]

[11] Patent Number: **Des. 325,575**

Fujii et al.

[45] Date of Patent: **** Apr. 21, 1992**

[54] **TELEVISION SET**

D. 311,734 10/1990 Sasaki D14/126
D. 312,824 12/1990 Kobayashi D14/126

[75] Inventors: **Yoshio Fujii; Osamu Shimizu; Osamu Hirokawa**, all of Osaka, Japan

OTHER PUBLICATIONS

[73] Assignee: **Sharp Corporation**, Osaka, Japan

HFD, Dec. 7, 1987, p. 99, top right—Sharp LCD TV.

[**] Term: **14 Years**

Primary Examiner—Theodore M. Shooman
Attorney, Agent, or Firm—Flehr, Hohbach, Test, Albritton & Herbert

[21] Appl. No.: **543,182**

[22] Filed: **Jun. 25, 1990**

[57] **CLAIM**

The ornamental design for a television set, shown and described.

[30] **Foreign Application Priority Data**

DESCRIPTION

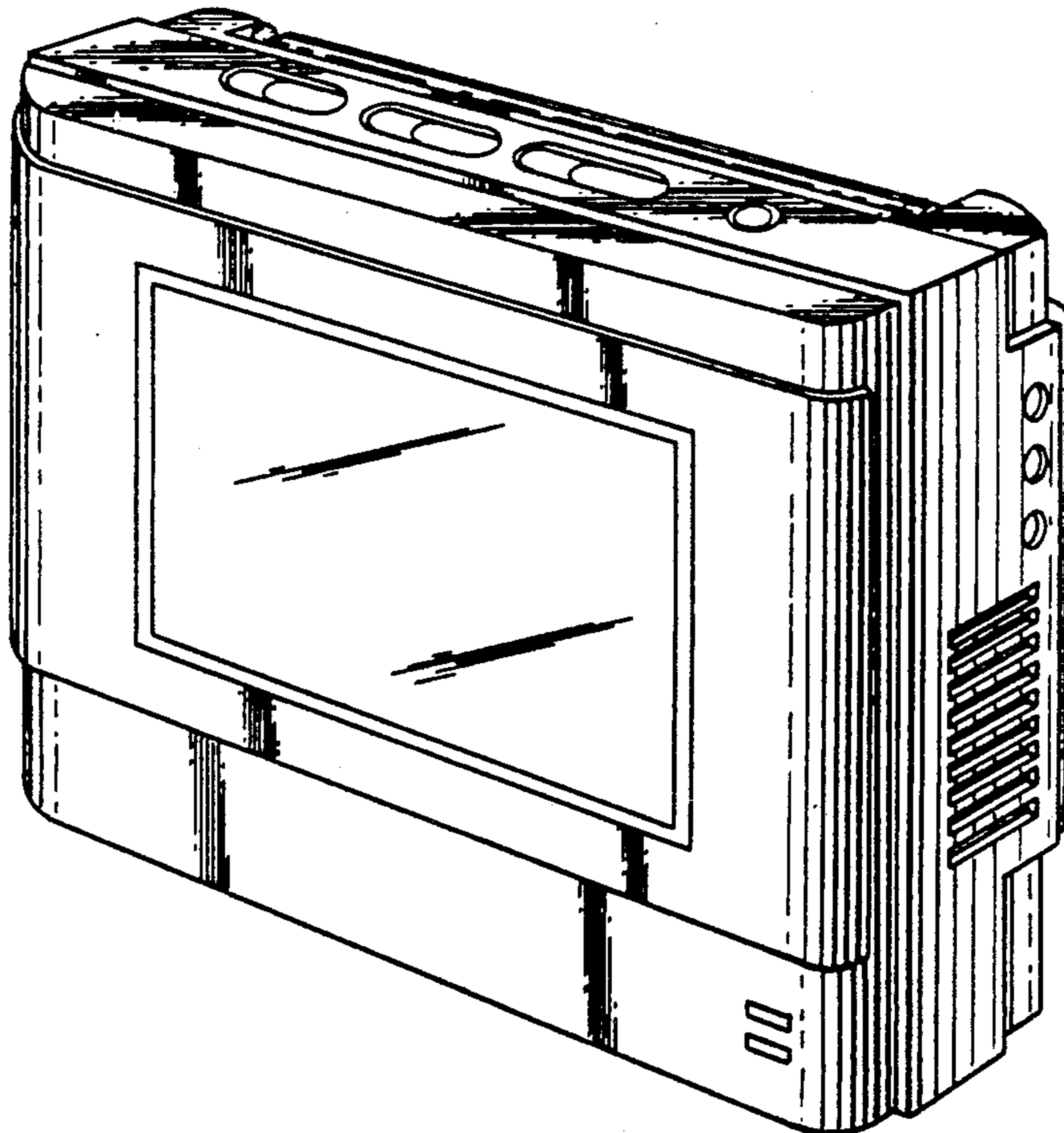
Dec. 27, 1989 [JP] Japan 1-47951
[52] U.S. Cl. **D14/126**
[58] Field of Search D14/124-135,
D14/113; 358/236-239, 254-255; 312/7.2

FIG. 1 is a top, front and right side perspective view of a television set showing our new design;
FIG. 2 is a front elevational view thereof;
FIG. 3 is a top plan view thereof;
FIG. 4 is a rear elevational view thereof;
FIG. 5 is a bottom plan view thereof;
FIG. 6 is a right side elevational view thereof; and,
FIG. 7 is a left side elevational view thereof.

[56] **References Cited**

U.S. PATENT DOCUMENTS

D. 307,896 5/1990 Kitagawa et al. D14/126
D. 308,373 5/1990 Shimizu D14/126



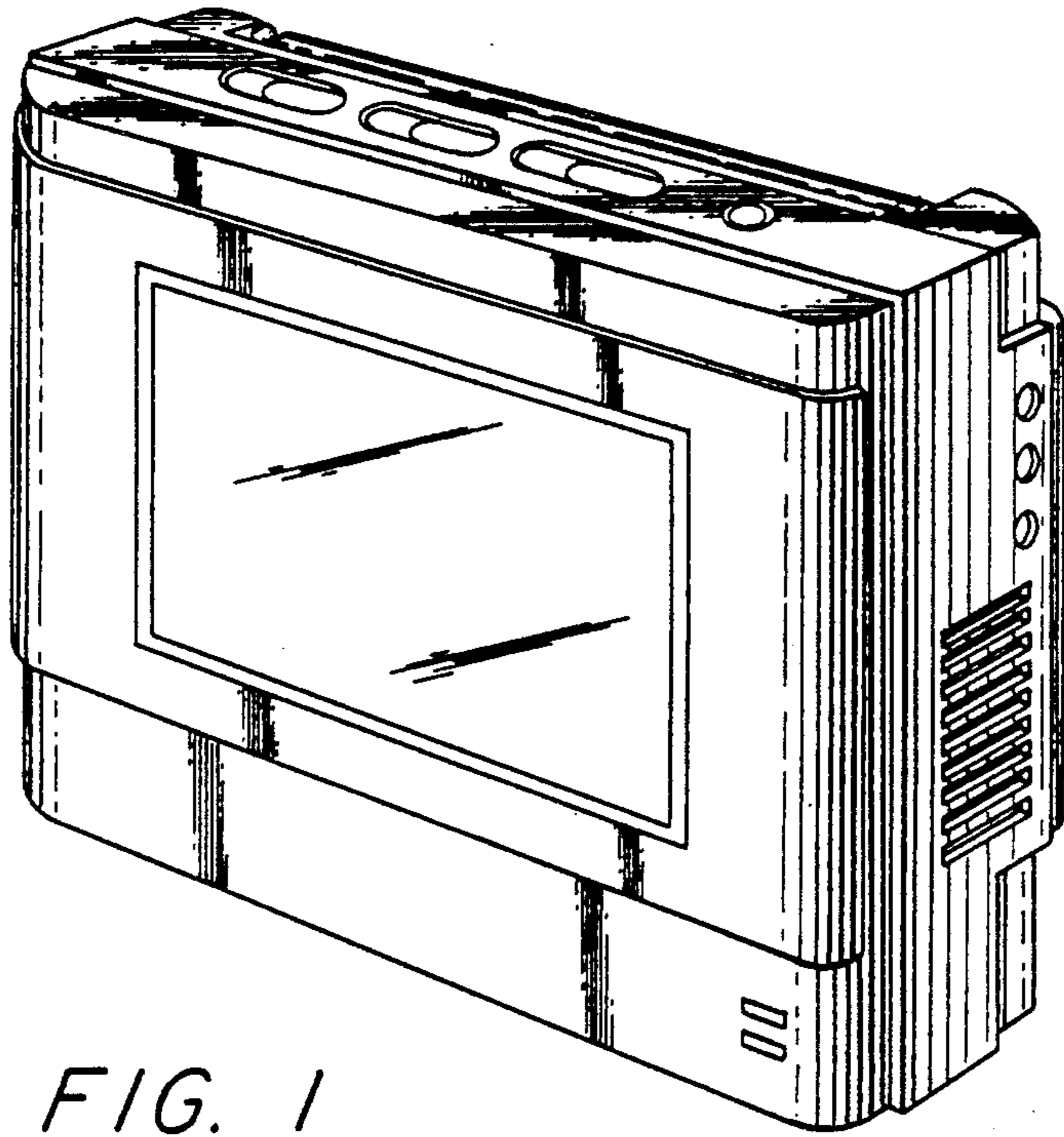


FIG. 1

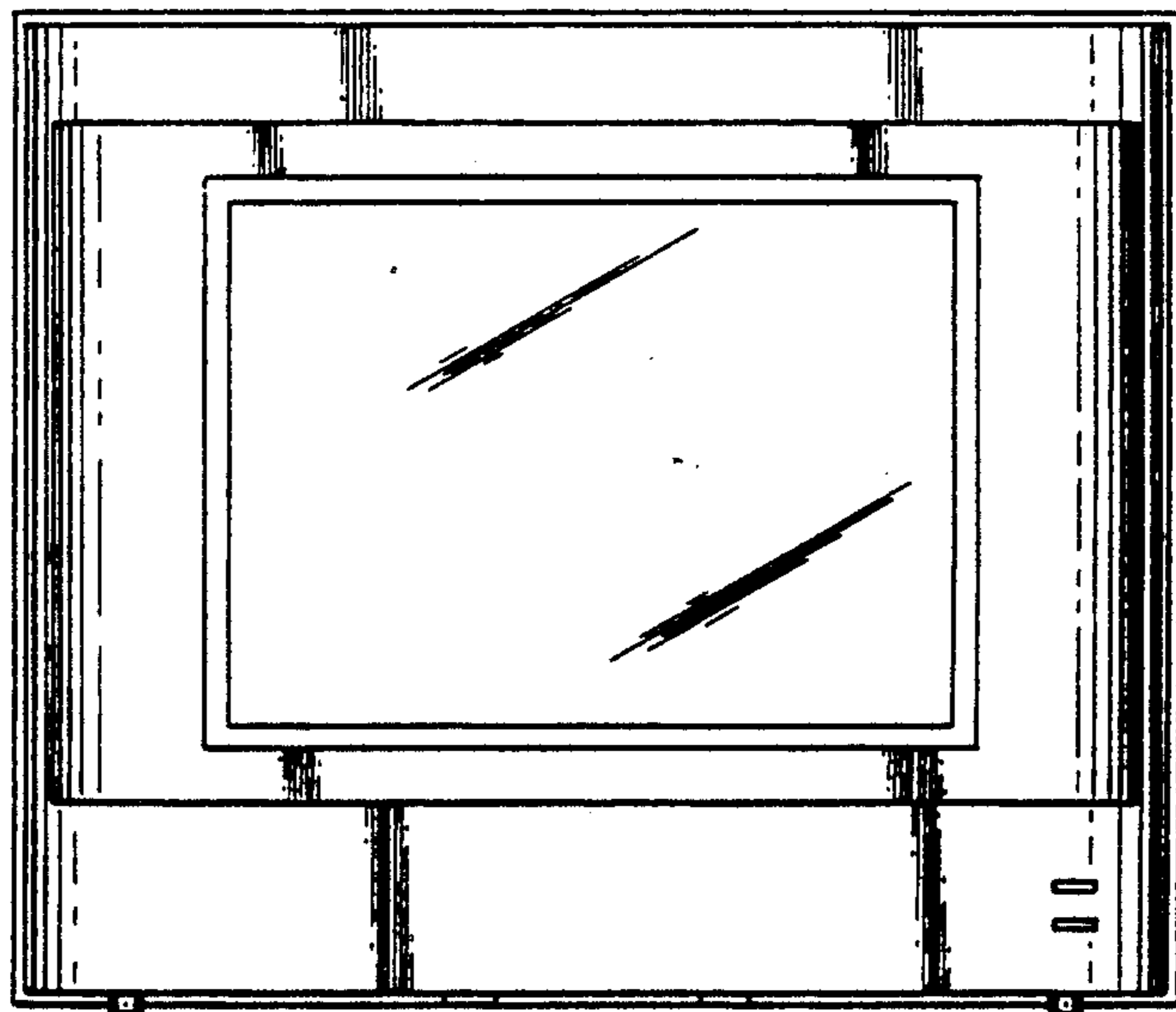


FIG. 2

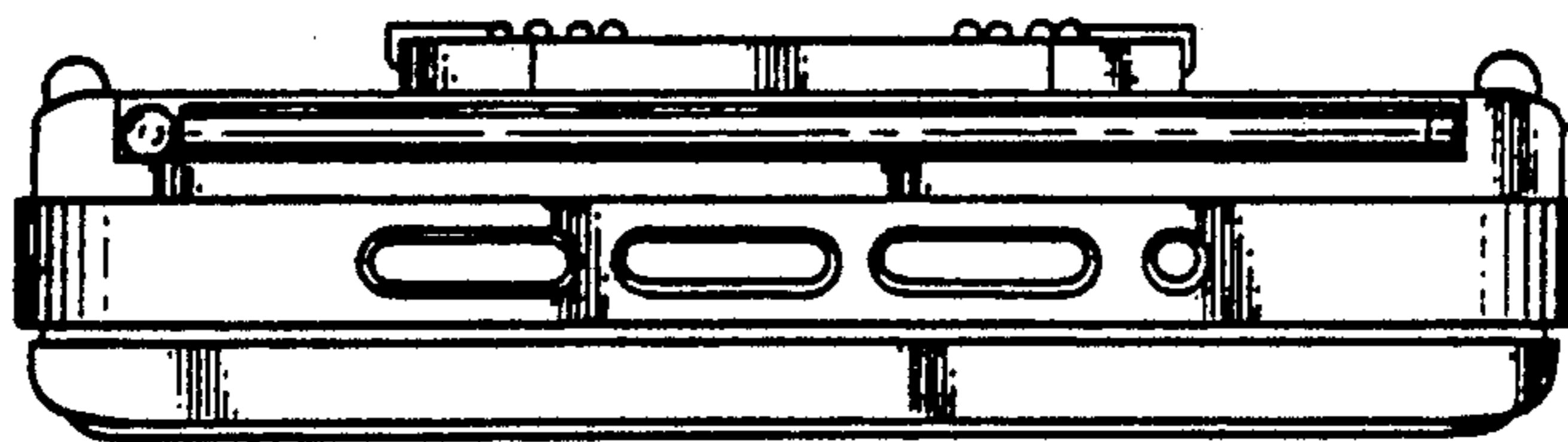


FIG. 3

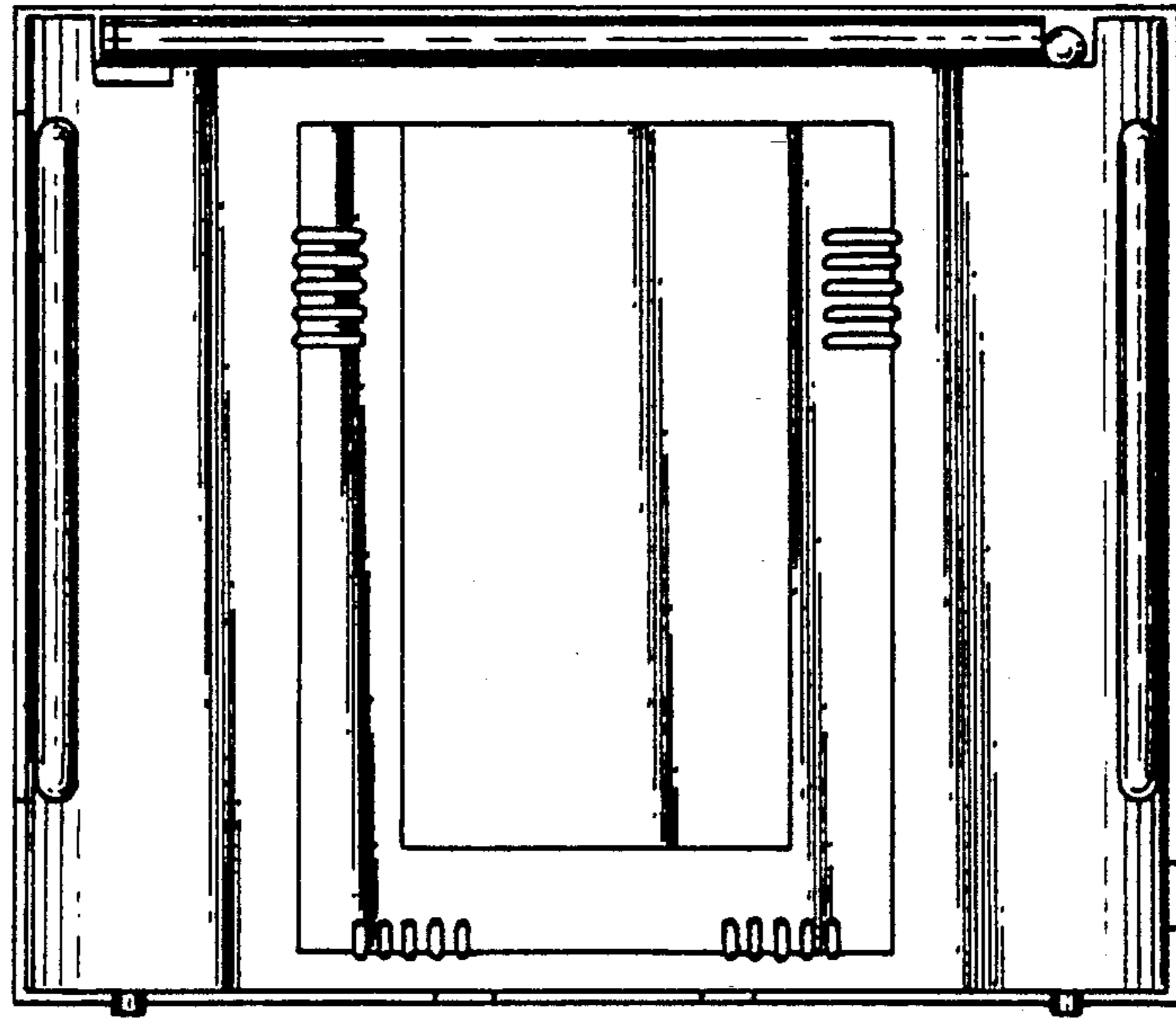


FIG. 4

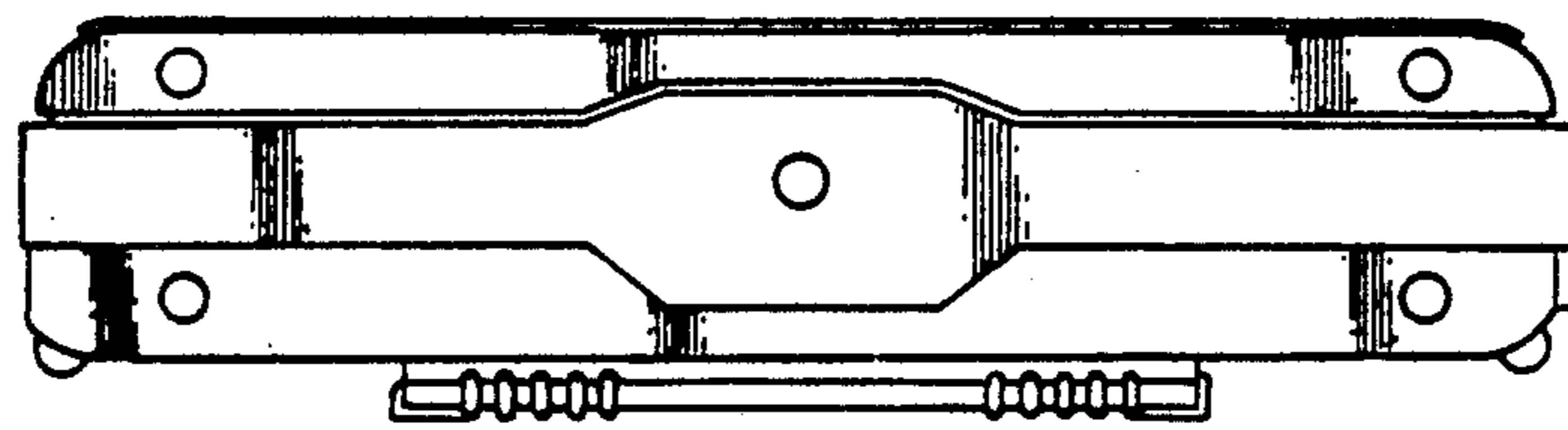


FIG. 5

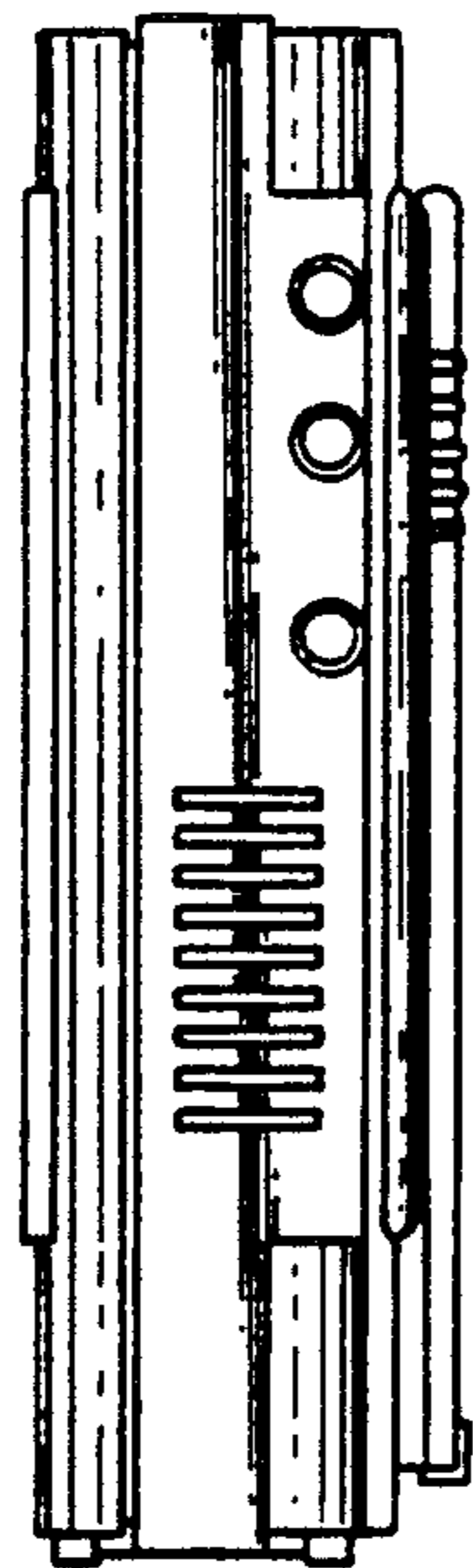


FIG. 6

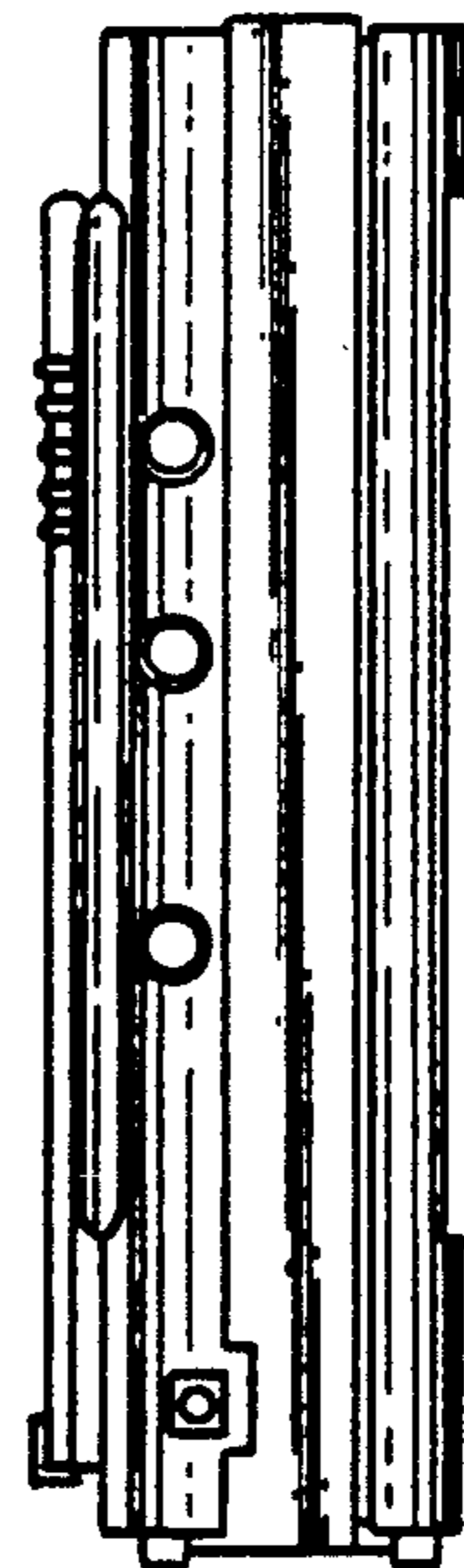


FIG. 7