



US00D325574S

United States Patent [19]

[11] Patent Number: **Des. 325,574**

Carver

[45] Date of Patent: **** Apr. 21, 1992**

- [54] **HAND HELD DATA COLLECTION TERMINAL WITH INTEGRAL DIODE LASER SCANNER**
- [75] Inventor: **Darryl L. Carver, Seattle, Wash.**
- [73] Assignee: **Intermec Corporation, Everett, Wash.**
- [**] Term: **14 Years**
- [21] Appl. No.: **430,471**
- [22] Filed: **Oct. 31, 1989**
- [52] U.S. Cl. **D14/116; D14/100**
- [58] Field of Search **D14/100, 105, 107, 116; D18/1, 7; 340/700, 711; 341/22, 23; 235/145 R, 146, 470, 472, 454, 462, 479; 382/58, 59, 62, 63, 65; 364/706-708; 200/5 A, 5 R, 6 A, 6 R; 312/208, 212, 196, 241, 244, 237, 117; 250/203 R, 566, 568; 358/408, 473, 474, 497; 354/80-82; 355/231, 233**

- D. 305,884 2/1990 Krichever et al. D14/116
- D. 306,610 3/1990 Sato et al. D18/7 X
- D. 307,888 5/1990 Ishida D18/7 X
- D. 316,854 5/1991 Okuyama et al. D14/100 X

OTHER PUBLICATIONS

ID Systems, Mar. 1988, p. 23, Universal Data Inc., Hand Held Data Collection Terminal.
 Modern Office Technology, Dec. 1988, p. 42, Bar code scanner and handheld PC.

Primary Examiner—Wallace R. Burke
Assistant Examiner—Freda S. Nunn
Attorney, Agent, or Firm—Seed and Berry

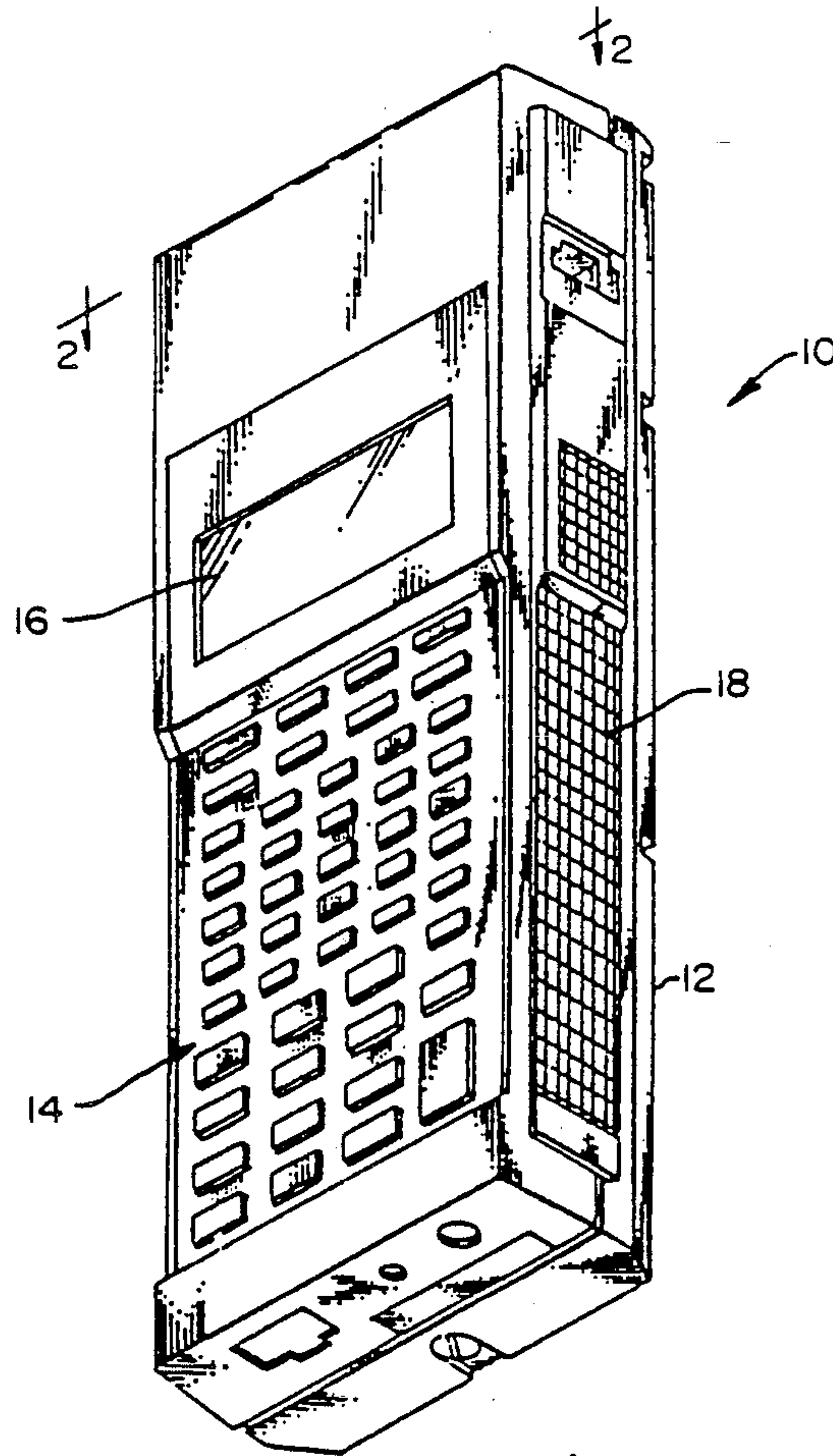
[57] CLAIM

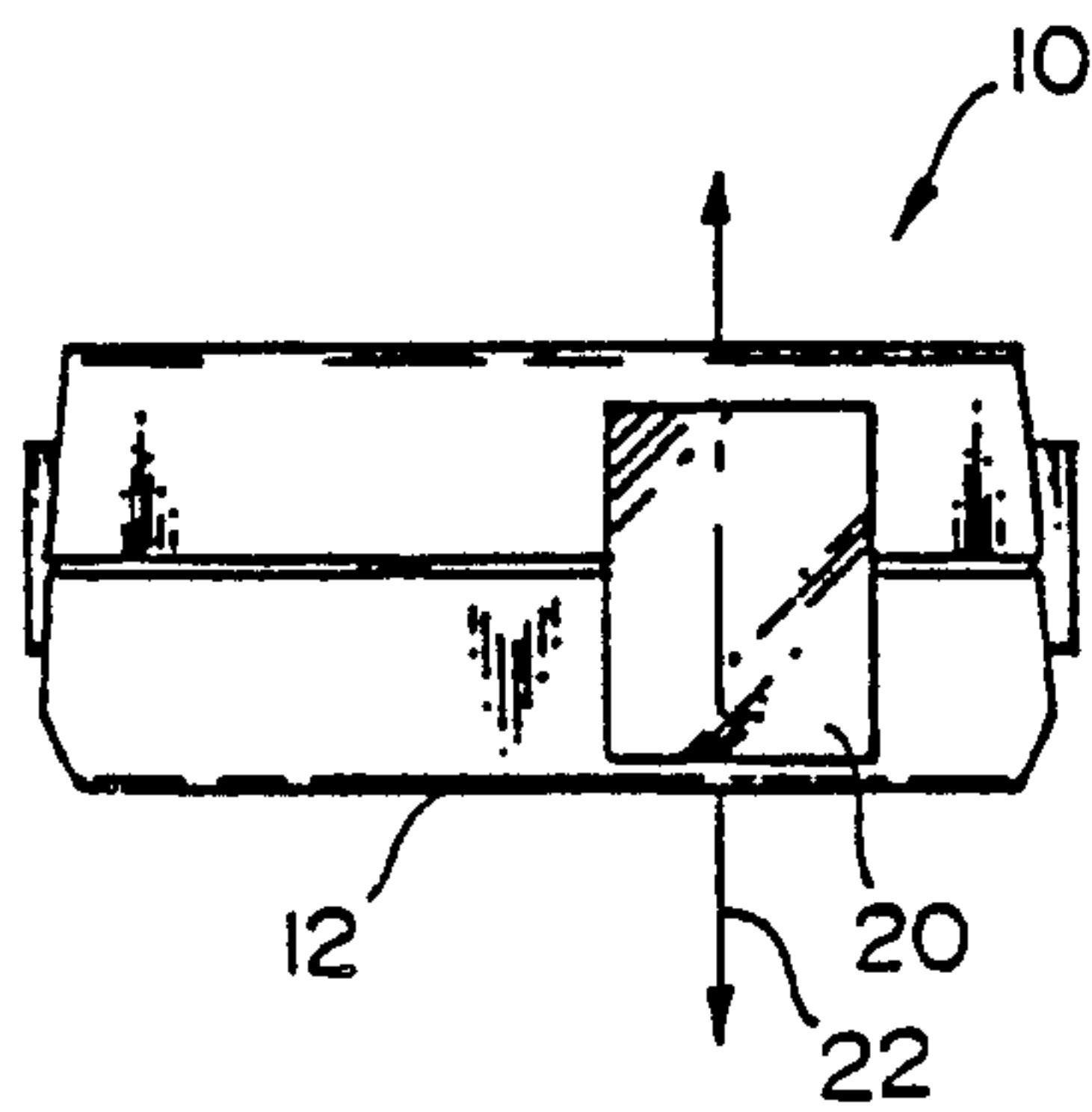
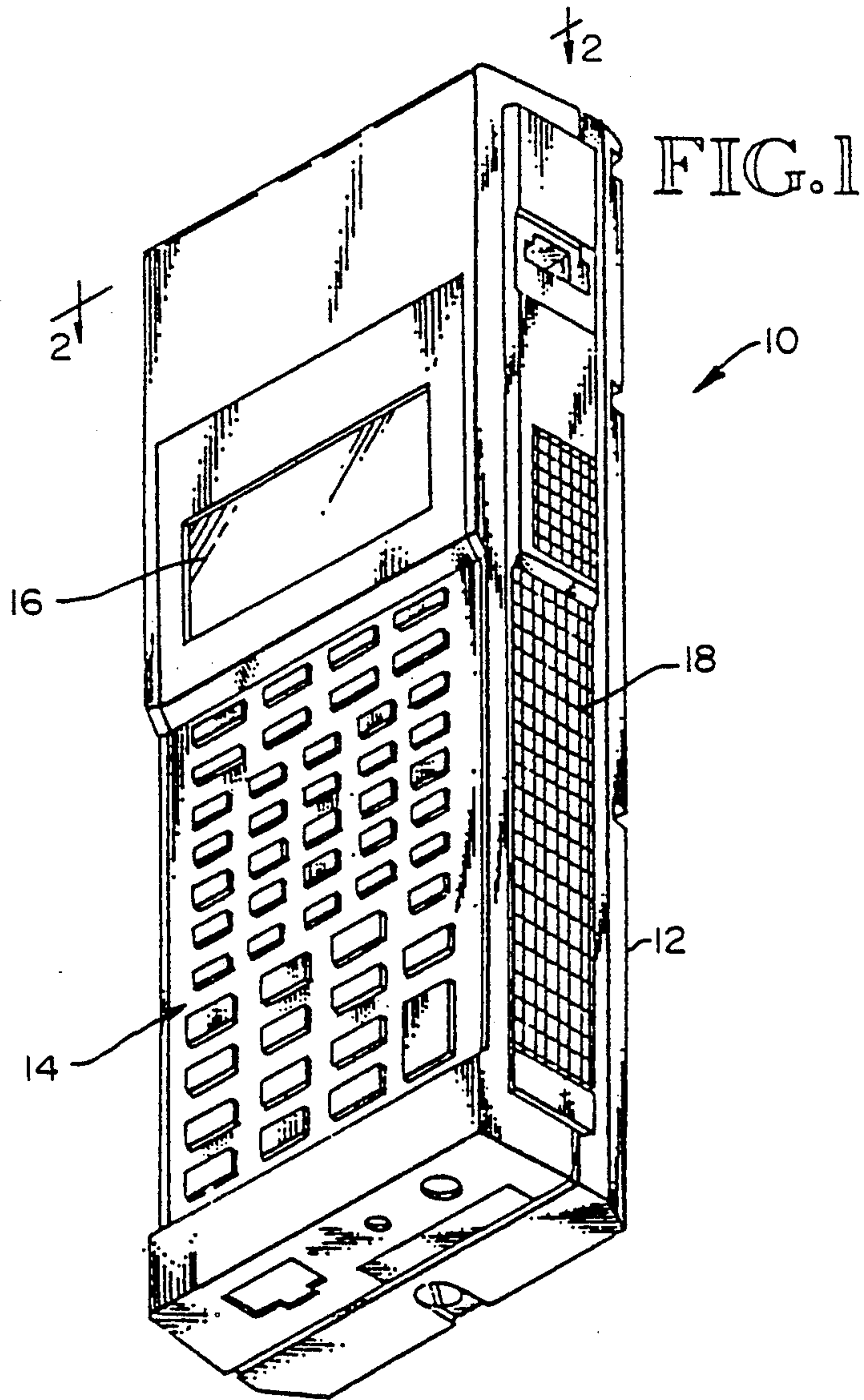
The ornamental design for a hand held data collection terminal with integral diode laser scanner, as shown and described.

DESCRIPTION

FIG. 1 is a bottom right side perspective view of a hand held data collection terminal with integral diode laser scanner showing my new design; FIG. 2 is a left side elevational view thereof; FIG. 3 is a top plan view thereof; and, FIG. 4 is a rear elevational view thereof.

- [56] **References Cited**
- U.S. PATENT DOCUMENTS**
- D. 297,432 8/1988 Stant et al. D14/116
- D. 297,939 10/1988 Bradbury et al. D14/116
- D. 303,663 9/1989 Kumar et al. D14/116





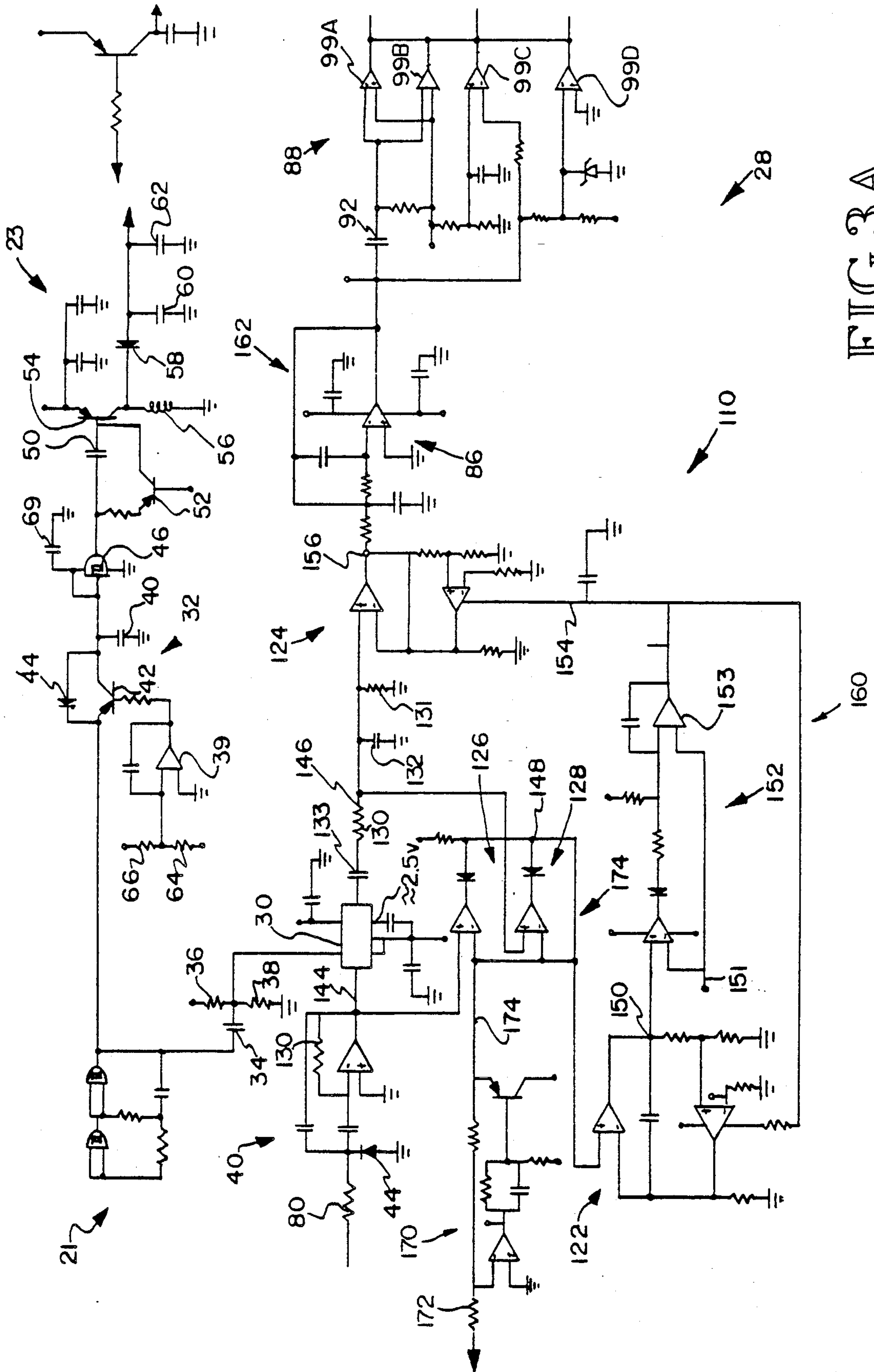


FIG. 3A

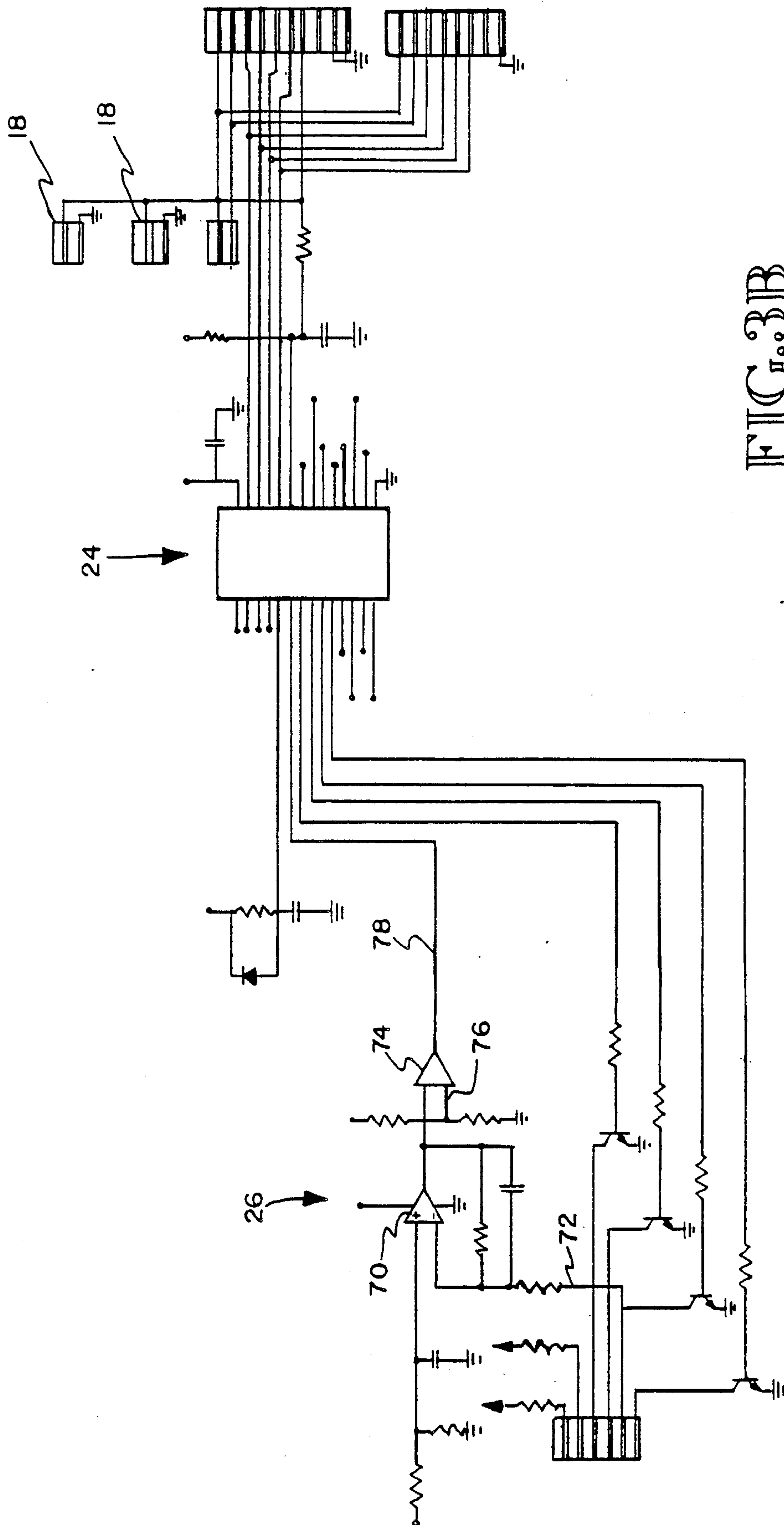


FIG. 3B