



US00D325572S

# United States Patent [19] Chen

[11] Patent Number: **Des. 325,572**

[45] Date of Patent: **\*\* Apr. 21, 1992**

[54] **LARGE FORMAT SCANNER**

[75] Inventor: **Philip L. Chen, Rancho Palos Verdes, Calif.**

[73] Assignee: **Microtek International, Hsinchu, Taiwan**

[\*\*] Term: **14 Years**

[21] Appl. No.: **334,229**

[22] Filed: **Apr. 6, 1989**

[30] **Foreign Application Priority Data**

Feb. 2, 1989 [GB] United Kingdom ..... 1056815  
[52] U.S. Cl. .... **D14/107; D10/46; D10/63**

[58] Field of Search ..... D14/102, 105, 107; D18/13, 36; 235/475, 470, 479, 440, 454; 250/203 R, 216, 566, 568; 354/80-82; 355/19, 45-47; 33/1 M, 18.2, 18.3, 19.2, 20.3, 413, 415, 418, 419, 421, 430, 432, 434, 438; 364/520; D10/46, 63

[56] **References Cited**

**U.S. PATENT DOCUMENTS**

D. 295,751 5/1988 Sutoh ..... D14/107

D. 305,208 12/1989 Ross et al. .... D10/46  
D. 306,157 2/1990 Davis et al. .... D14/107  
4,933,876 6/1990 Markoff et al. .... 364/520

**OTHER PUBLICATIONS**

Camcomp, 1988, Model 1023 Plotter (Cal Comp Artisan).

Personal Computing, May 1984, p. 137, Houston Instrument DMP-41 Plotter.

Versatec, Jan. 1988, Brochure, 8500 Series Plotter.

*Primary Examiner*—Wallace R. Burke

*Assistant Examiner*—Freda S. Nunn

*Attorney, Agent, or Firm*—Edward A. Sokolski

[57] **CLAIM**

The ornamental design for a large format scanner, as shown and described.

**DESCRIPTION**

FIG. 1 is a top plan view of a large format scanner showing my new design;

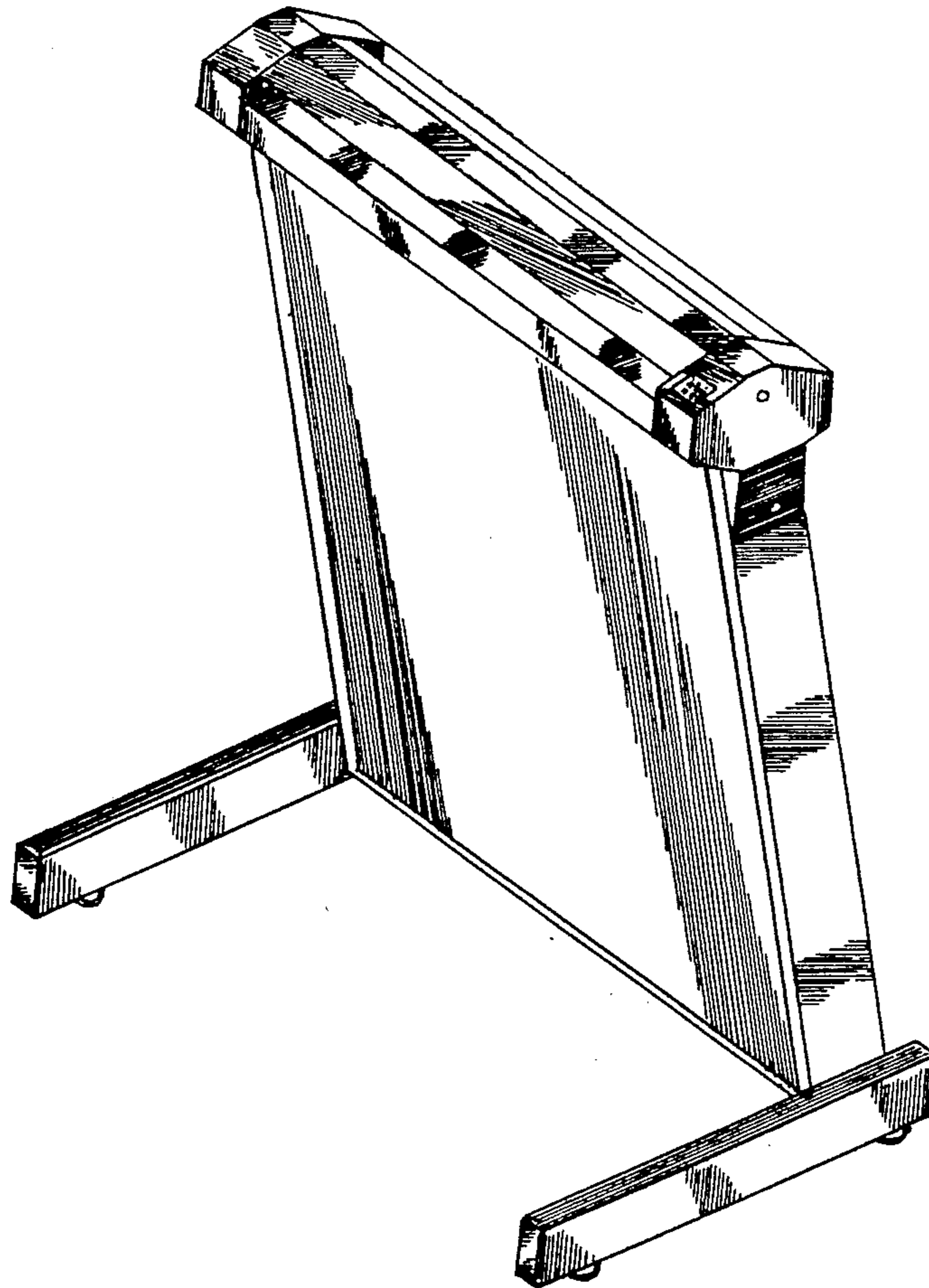
FIG. 2 is a rear-elevational view thereof;

FIG. 3 is an end-elevational view thereof;

FIG. 4 is an end-elevational view thereof taken from the side opposite to that shown in FIG. 3; and,

FIG. 5 is a front perspective view thereof.

The button is plain and unadorned.



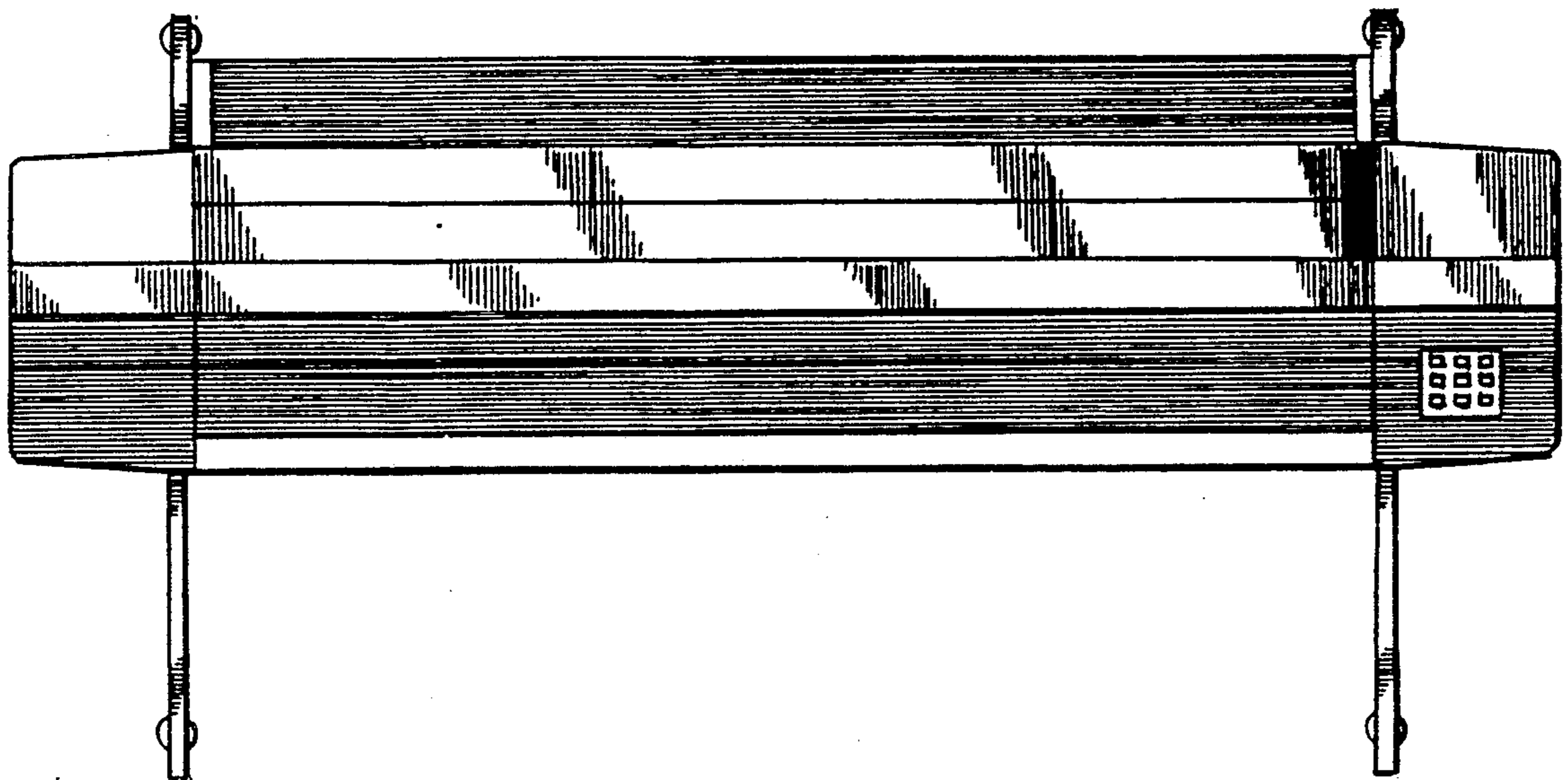


Fig. 1

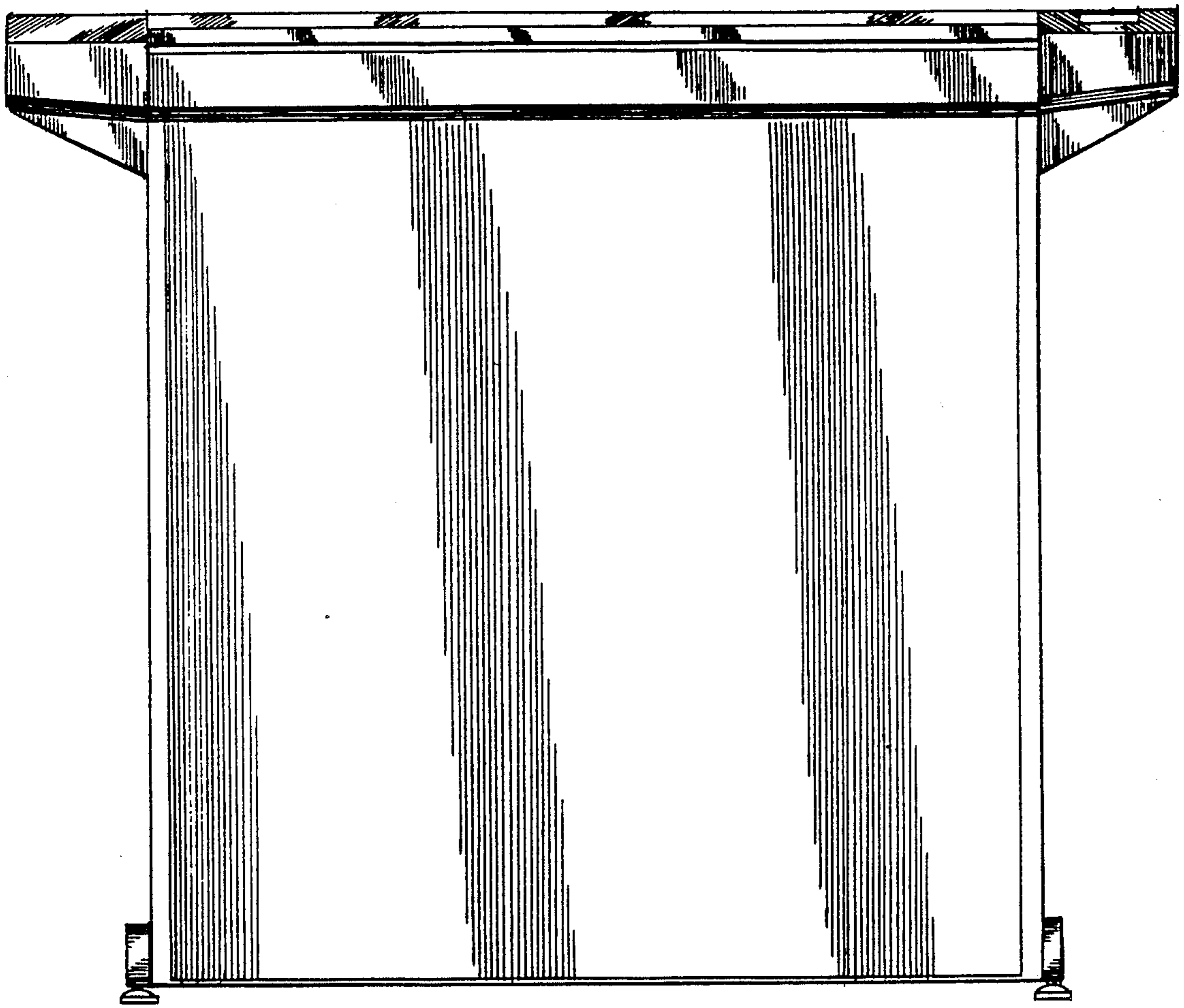


FIG. 2

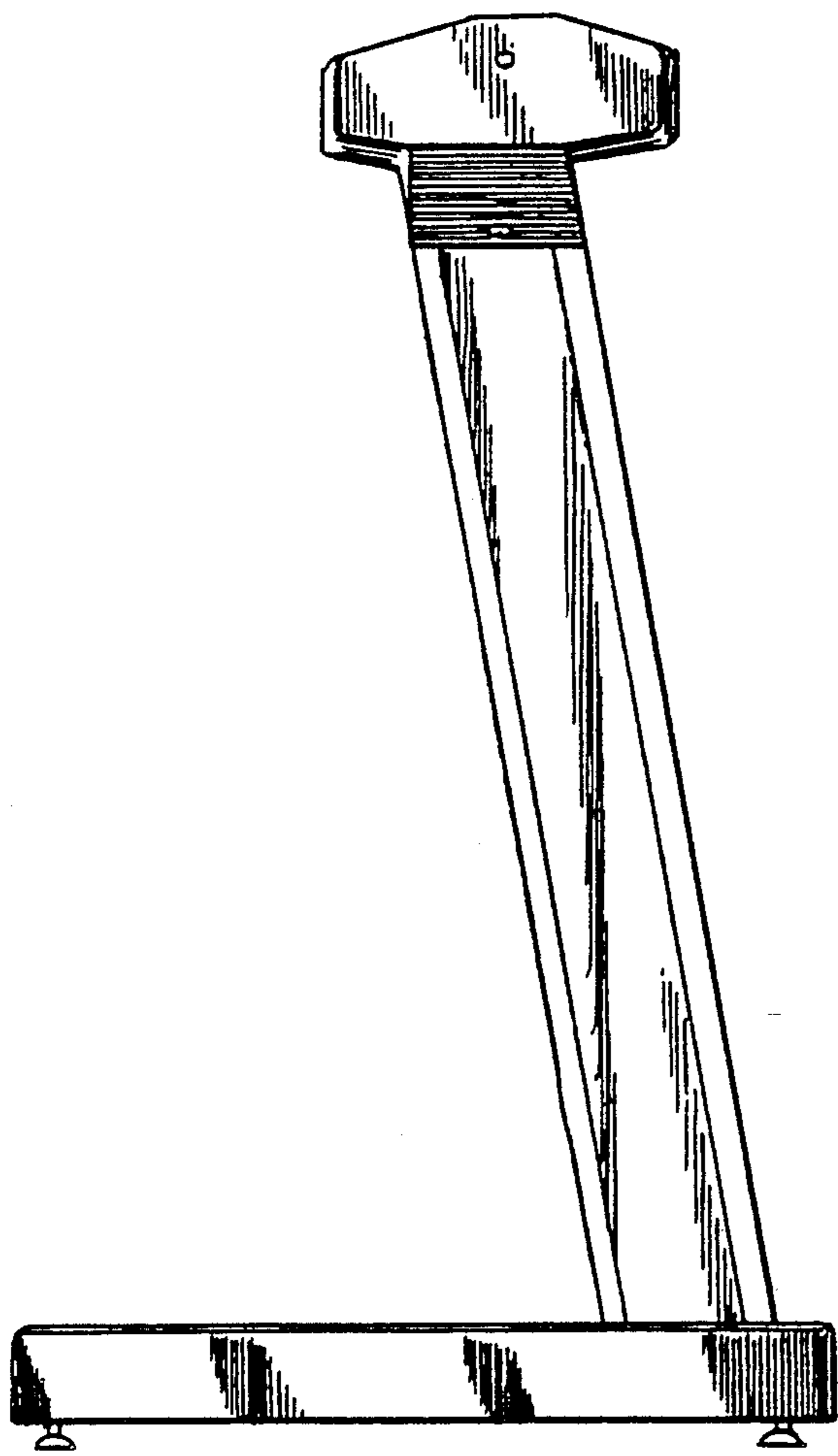


FIG. 3

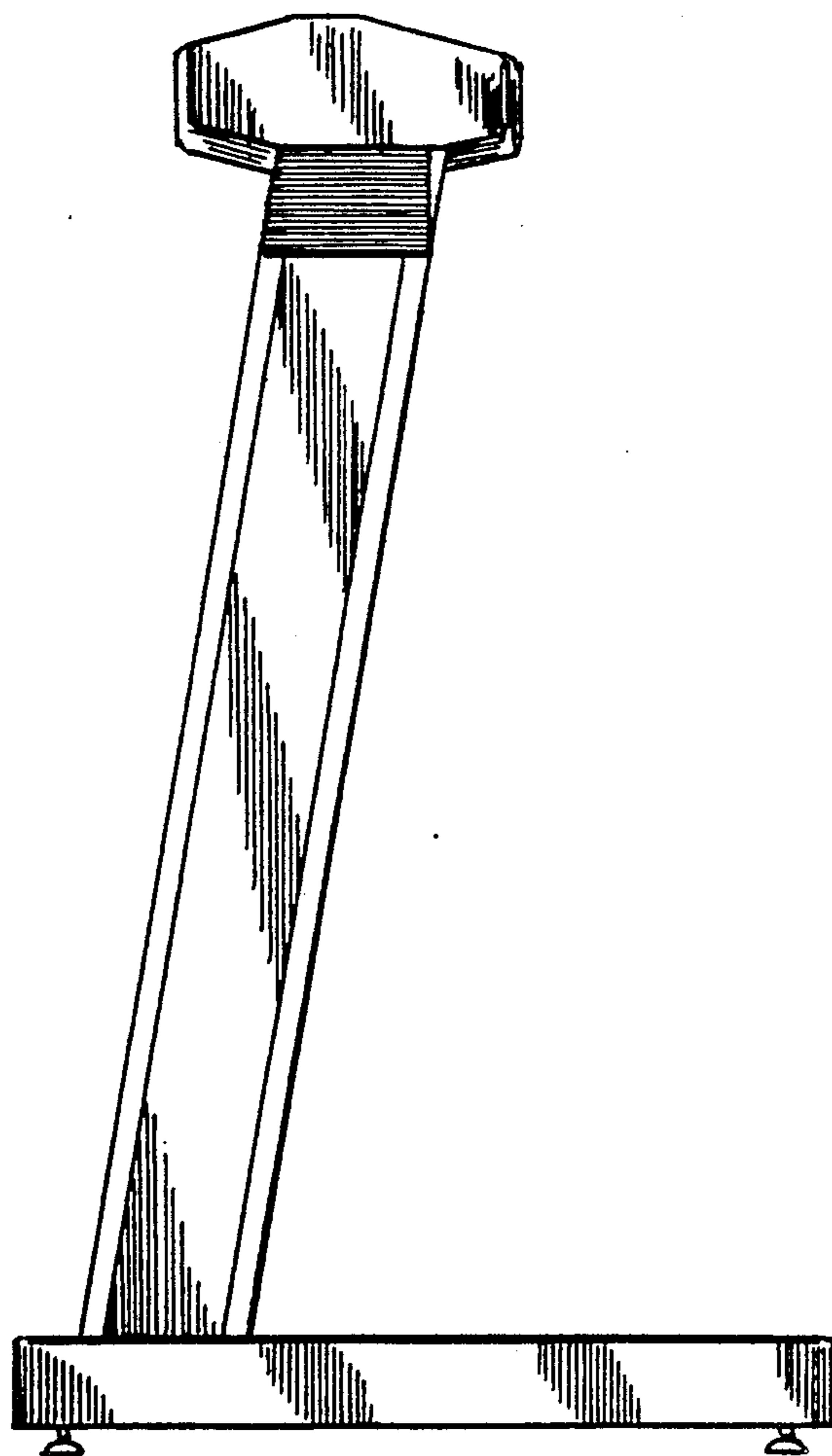


FIG. 4



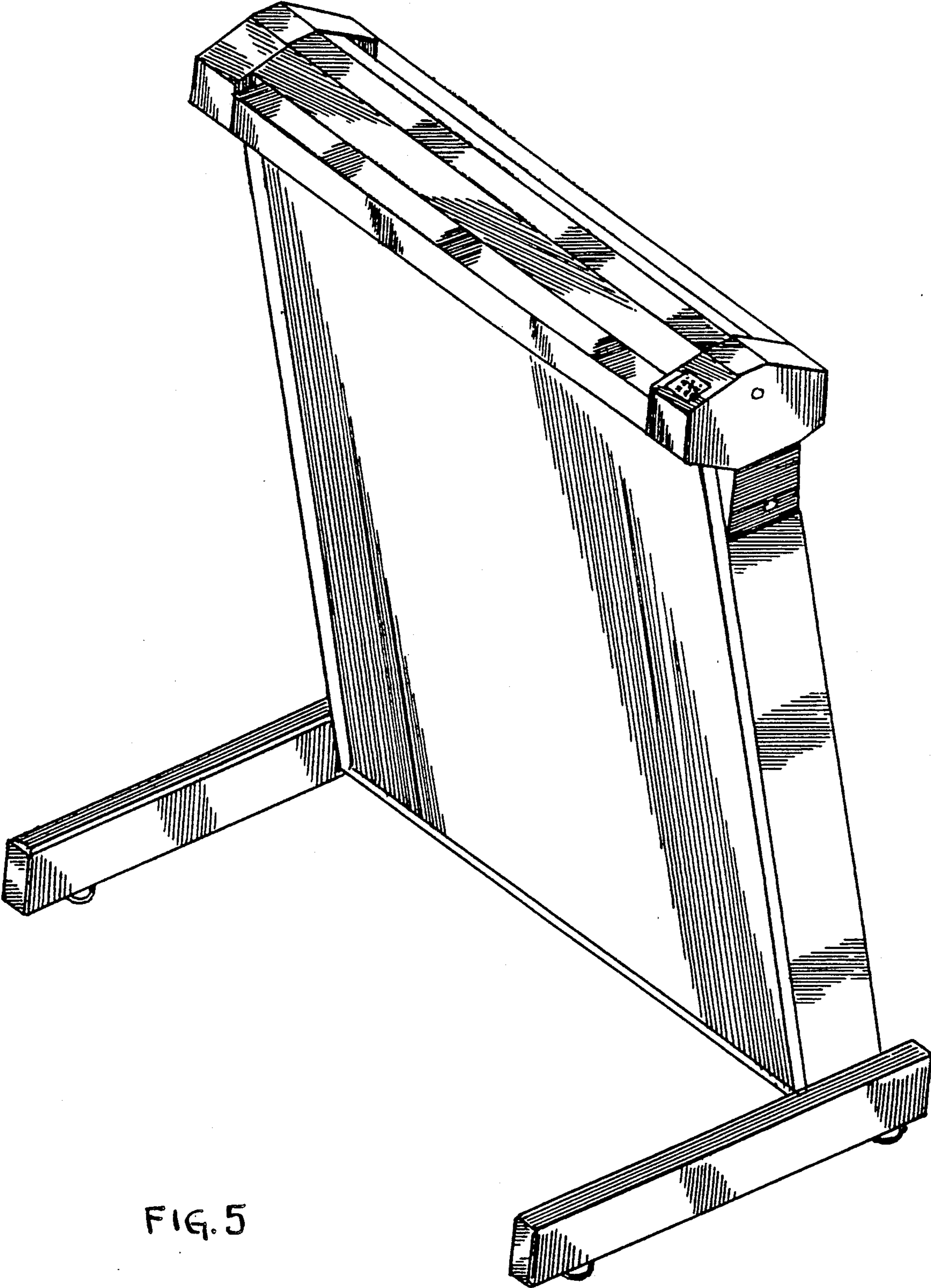


FIG. 5