



US00D325566S

United States Patent [19]

[11] Patent Number: **Des. 325,566**

Bouteiller

[45] Date of Patent: **** Apr. 21, 1992**

[54] **CONTACTOR**

[75] Inventor: **Christian Bouteiller, Rueil
Malmaison, France**

[73] Assignee: **La Telemecanique Electrique, France**

[**] Term: **14 Years**

[21] Appl. No.: **642,724**

[22] Filed: **Jan. 16, 1991**

[56]

References Cited

U.S. PATENT DOCUMENTS

| | | | |
|------------|---------|---------------------|------------|
| D. 274,720 | 7/1984 | Hannich et al. | D13/158 |
| D. 296,433 | 6/1988 | Mizuno et al. | D13/158 |
| D. 298,485 | 11/1988 | Baner | D13/158 |
| 4,691,978 | 9/1988 | Lemmer | 200/51 R X |
| 4,724,410 | 2/1988 | Degenhart | 335/132 |
| 4,774,484 | 9/1988 | Lehman et al. | 335/132 X |
| 4,899,120 | 2/1990 | Ohtake et al. | 335/132 |

Primary Examiner—Brian N. Vinson
Attorney, Agent, or Firm—William A. Drucker

[57] **CLAIM**

The ornamental design for a contactor, as shown and described.

Related U.S. Application Data

[62] Division of Ser. No. 272,656, Nov. 17, 1988, Pat. No. Des. 321,169.

[30] **Foreign Application Priority Data**

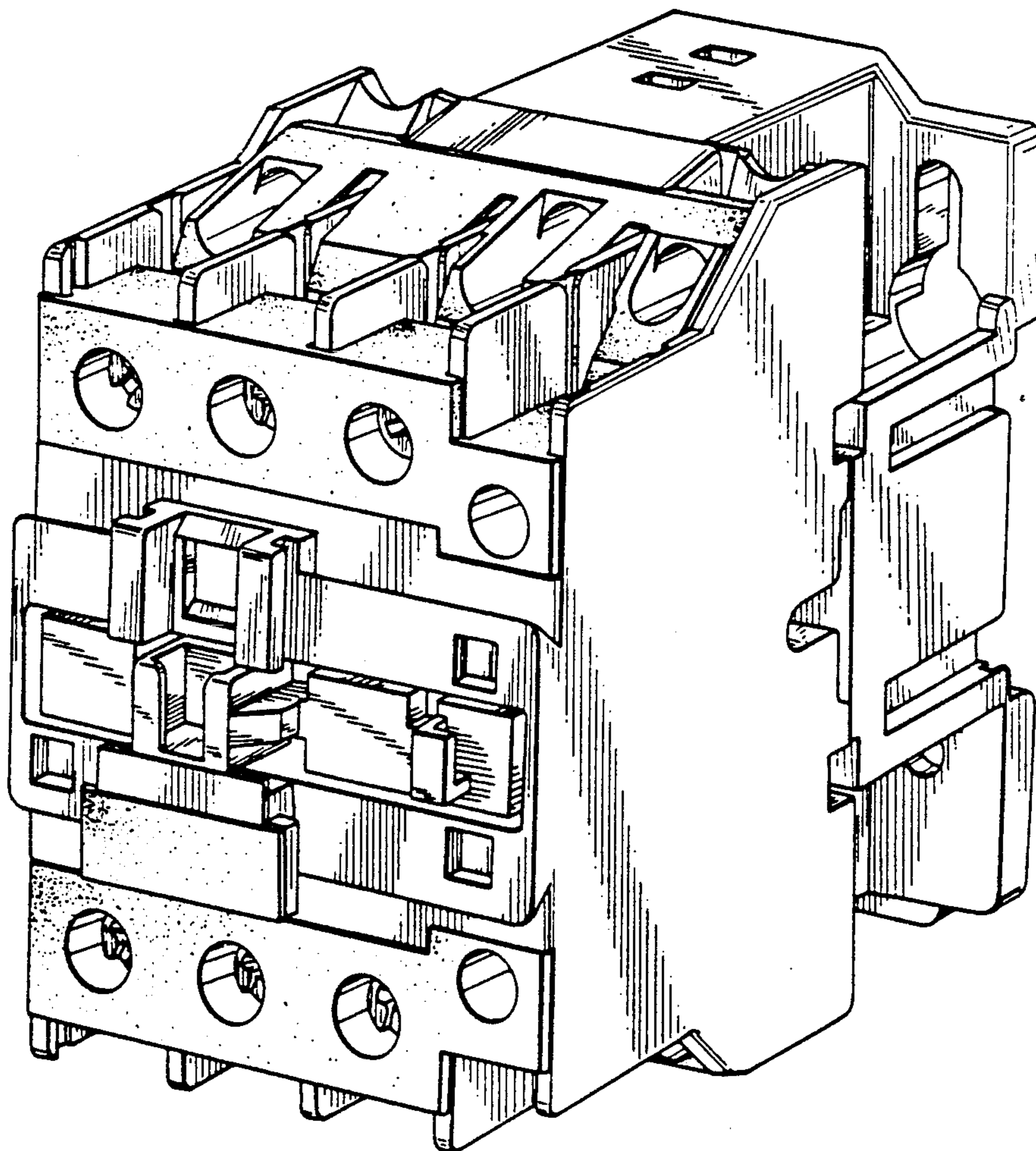
May 20, 1988 [FR] France 88 3320

[52] U.S. Cl. **D13/158**

[58] Field of Search D13/158, 160, 173, 178;
335/133-135, 106; 200/293-294

DESCRIPTION

FIG. 1 is a top, front, and right side perspective view of a contactor showing my new design; FIG. 2 is an enlarged front perspective view thereof; FIG. 3 is an enlarged top perspective view thereof; and, FIG. 4 is an enlarged right side elevational view thereof, the left side being a mirror image of that shown and the rear being plain and unornamented.



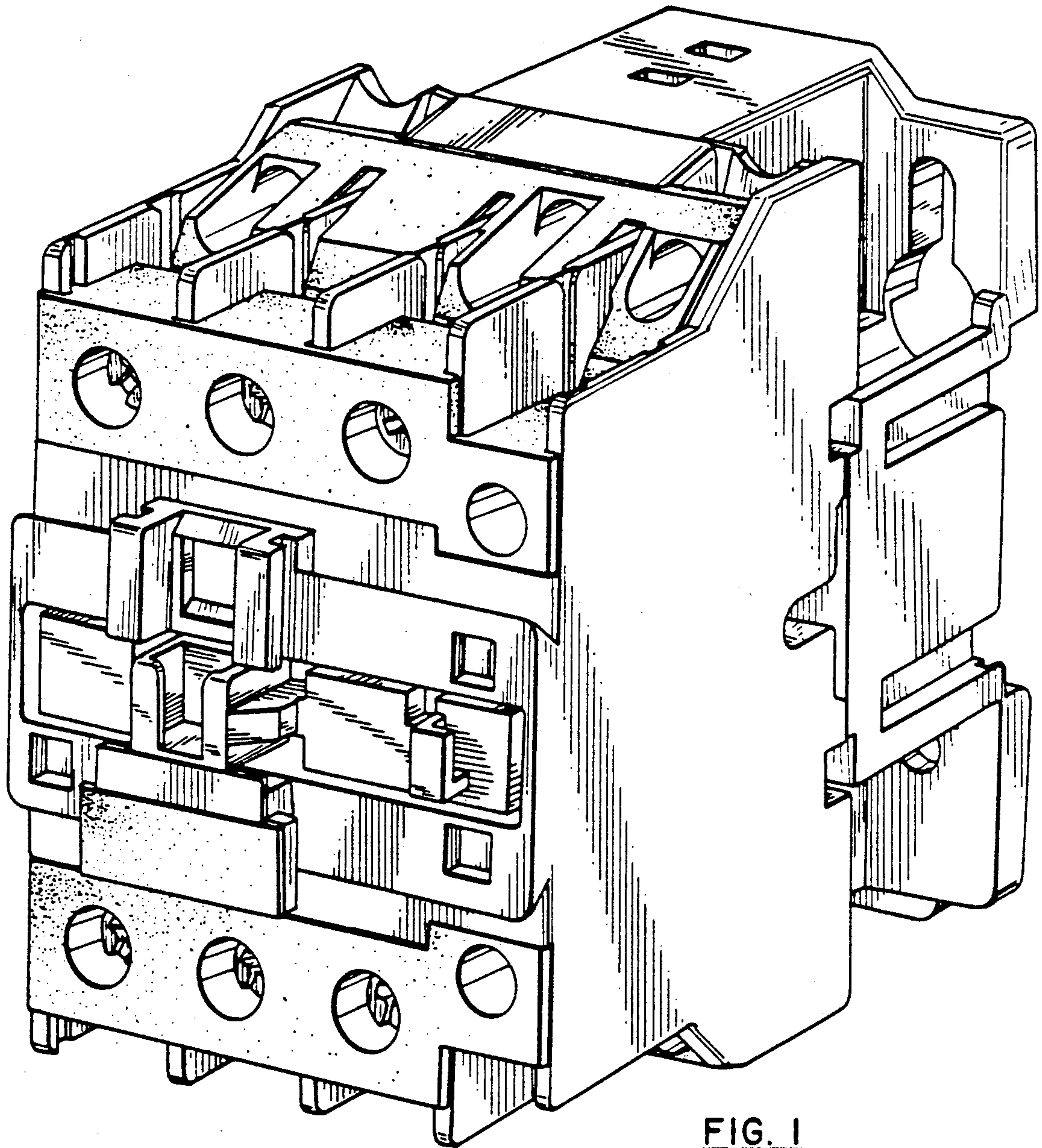


FIG. 1

FIG. 2

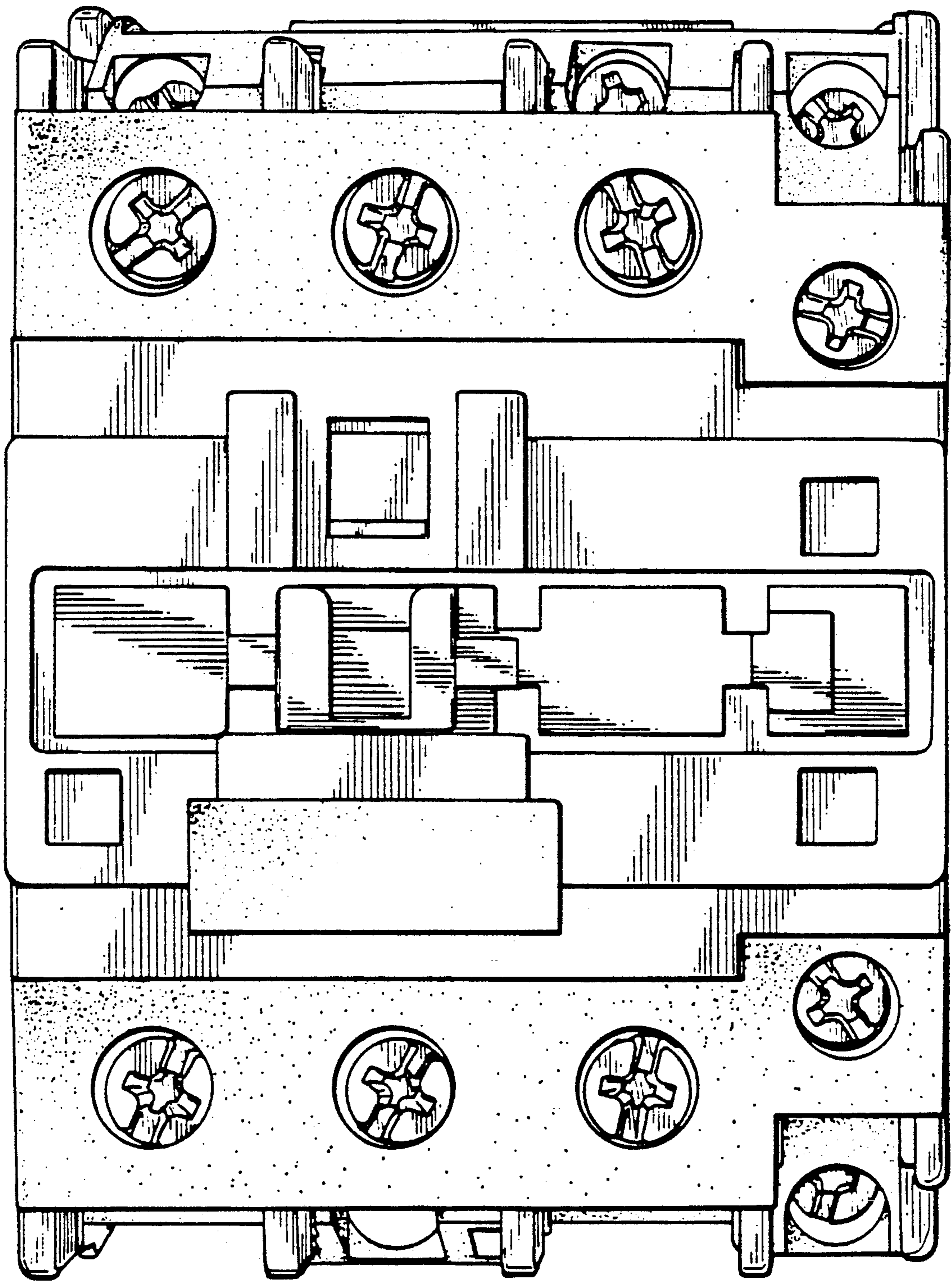


FIG. 3

