



US00D325564S

United States Patent [19]

[11] Patent Number: Des. 325,564

Lemke

[45] Date of Patent: ** Apr. 21, 1992

[54] RETAINER FOR SECURING ELECTRICAL PLUGS TO AN OUTLET

4,702,709 10/1987 Santilli 439/373 X

[76] Inventor: Irvin A. Lemke, 5329 Ogan Rd., Carpinteria, Calif. 93013

OTHER PUBLICATIONS

Zierick Manufacturing Company, quick connects, p. 12.
Zierick Manufacturing Company, angle brackets, p. 66.

[**] Term: 14 Years

Primary Examiner—Susan J. Lucas

[21] Appl. No.: 420,124

Assistant Examiner—M. H. Tung

[22] Filed: Oct. 11, 1989

Attorney, Agent, or Firm—Harry W. Brelsford

[52] U.S. Cl. D13/154; D8/354; D8/364

[57] CLAIM

[58] Field of Search D13/154; 439/367-373; D8/354, 371, 373, 380; 248/126, 247, 300, 674

The ornamental design for a retainer for securing electrical plugs to an outlet, as shown.

DESCRIPTION

[56] References Cited

FIG. 1 is a perspective view of a retainer for securing electrical plugs to an outlet showing my new design, on an enlarged scale;

U.S. PATENT DOCUMENTS

- D. 265,285 7/1982 Englert, Jr. D8/354
- D. 285,647 9/1986 Sachs D8/354 X
- D. 299,809 2/1989 Hagedorn D8/373
- 2,761,112 8/1956 Toravia D13/156 X
- 3,811,104 5/1974 Caldwell 439/373 X
- 4,045,108 8/1977 Olsen 439/373 X
- 4,105,274 8/1978 Casey 439/368

FIG. 2 is a front elevational view thereof;

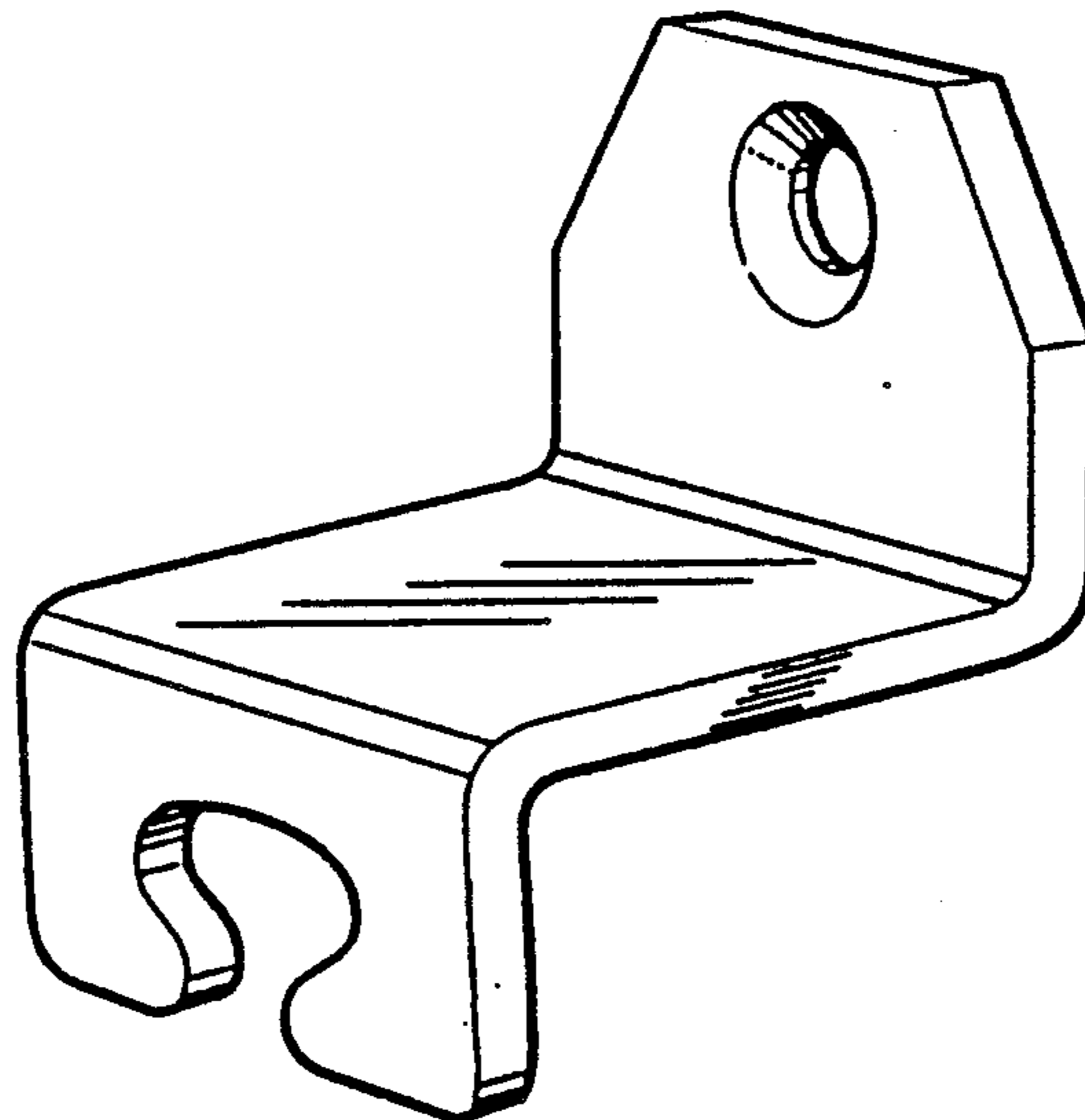
FIG. 3 is a top plan view thereof;

FIG. 4 is a bottom plan view thereof;

FIG. 5 is a left side elevational view thereof;

FIG. 6 is a right side elevational view thereof; and,

FIG. 7 is a rear elevational view thereof.



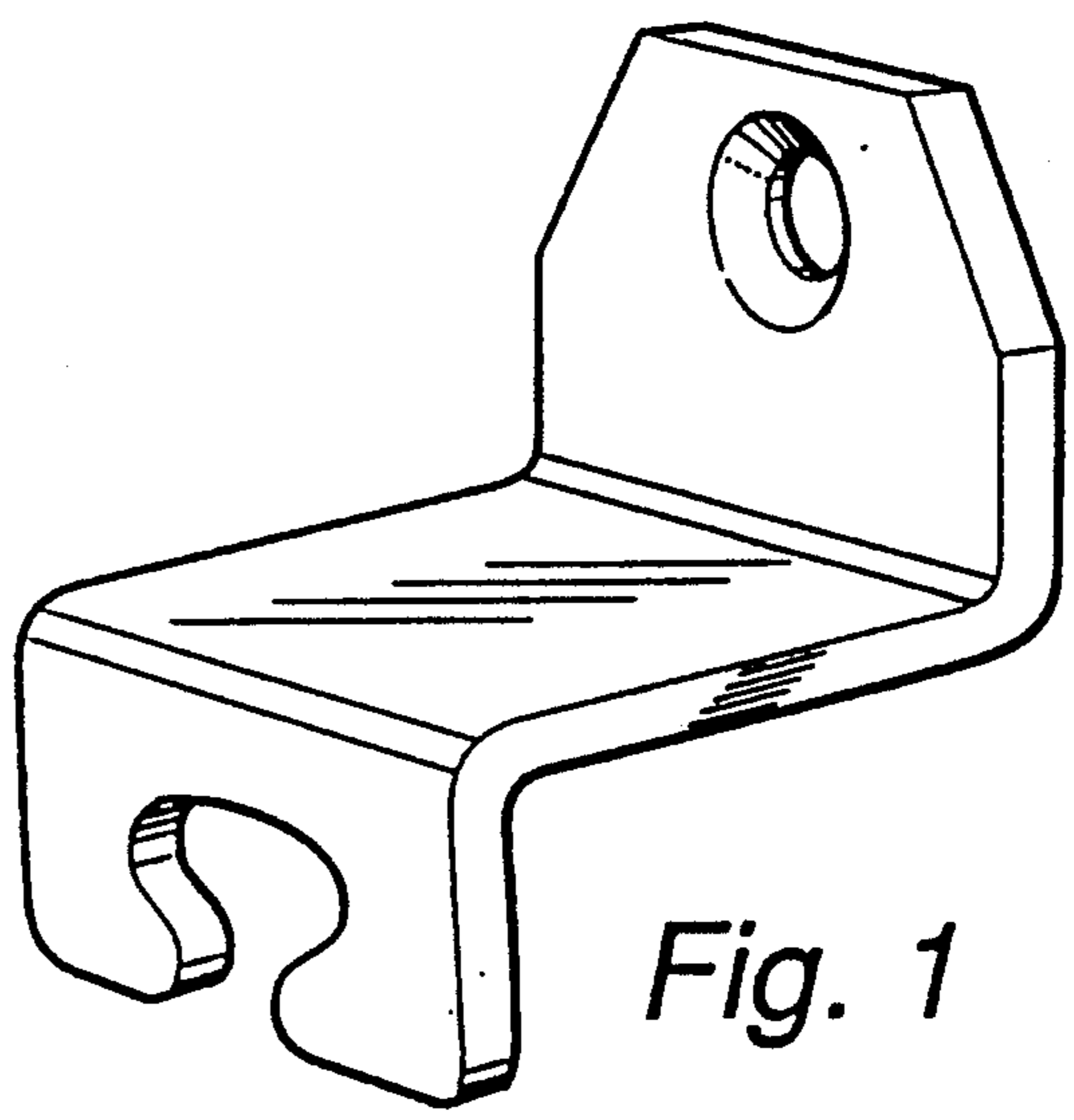


Fig. 1

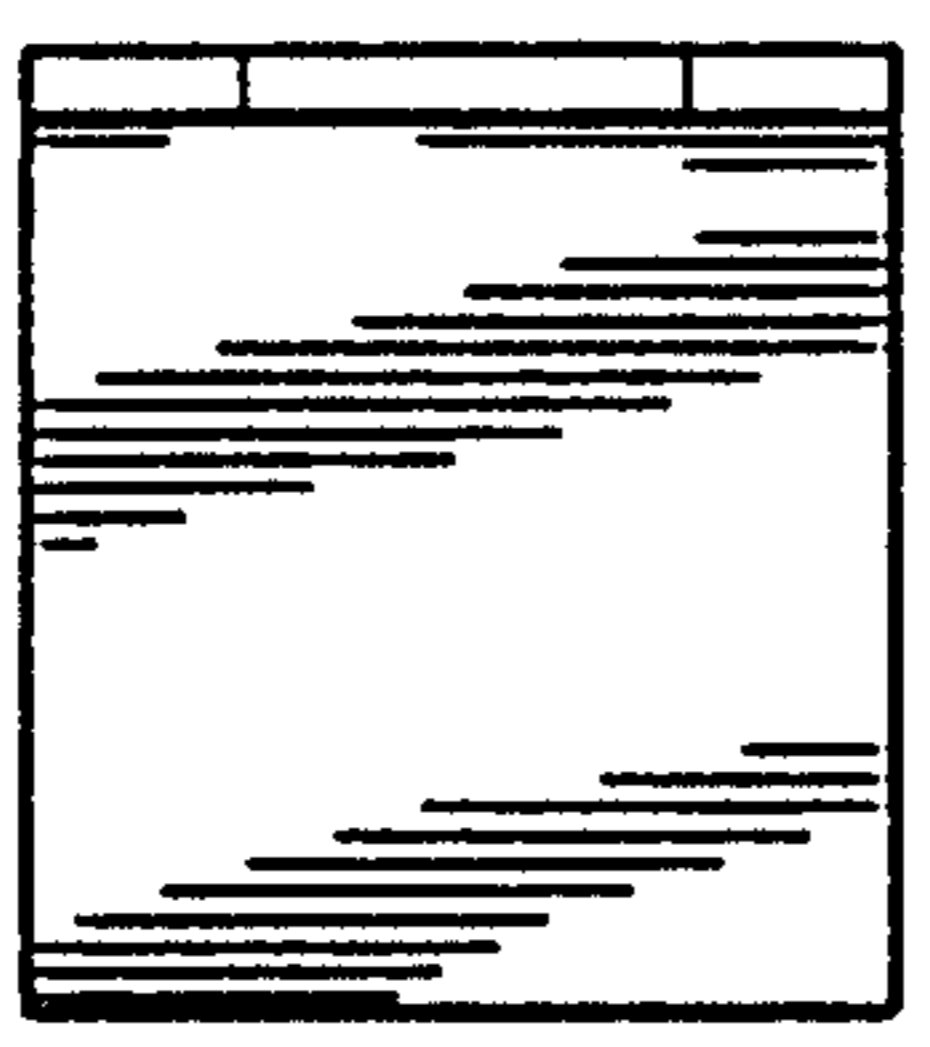


Fig. 3

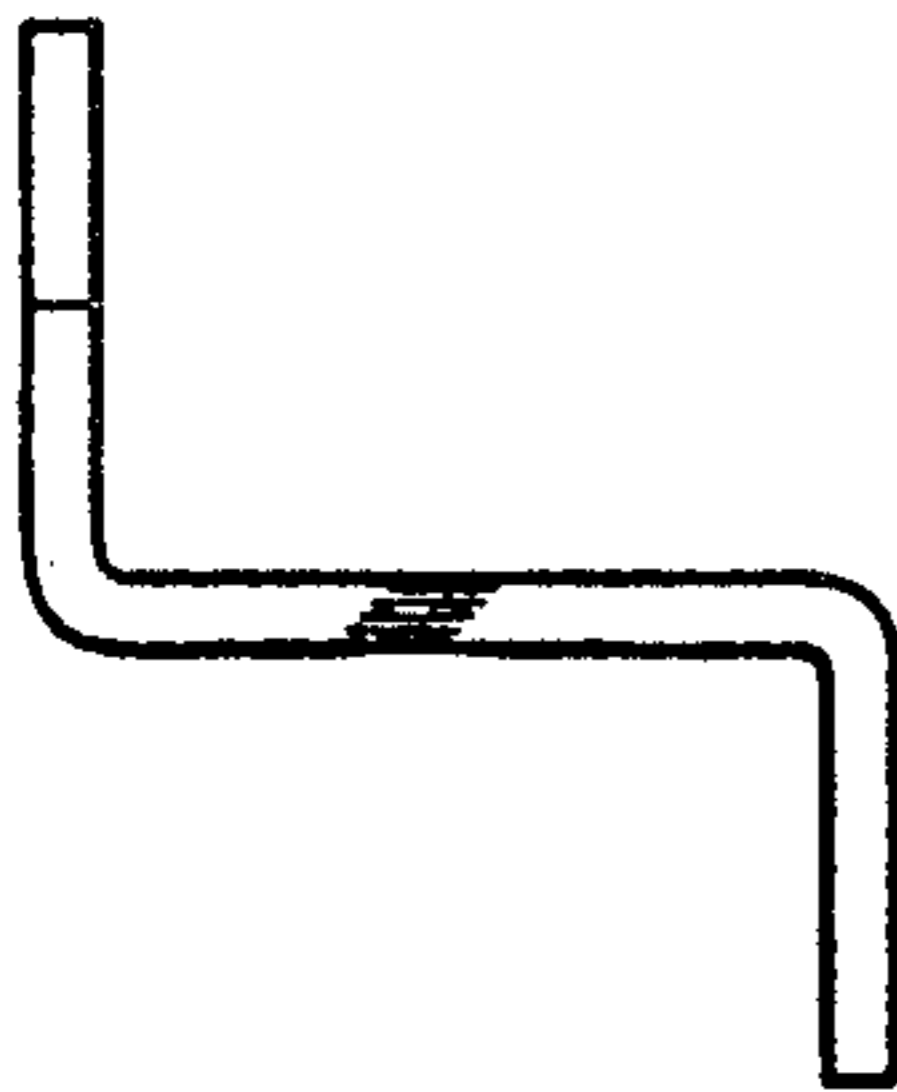


Fig. 5

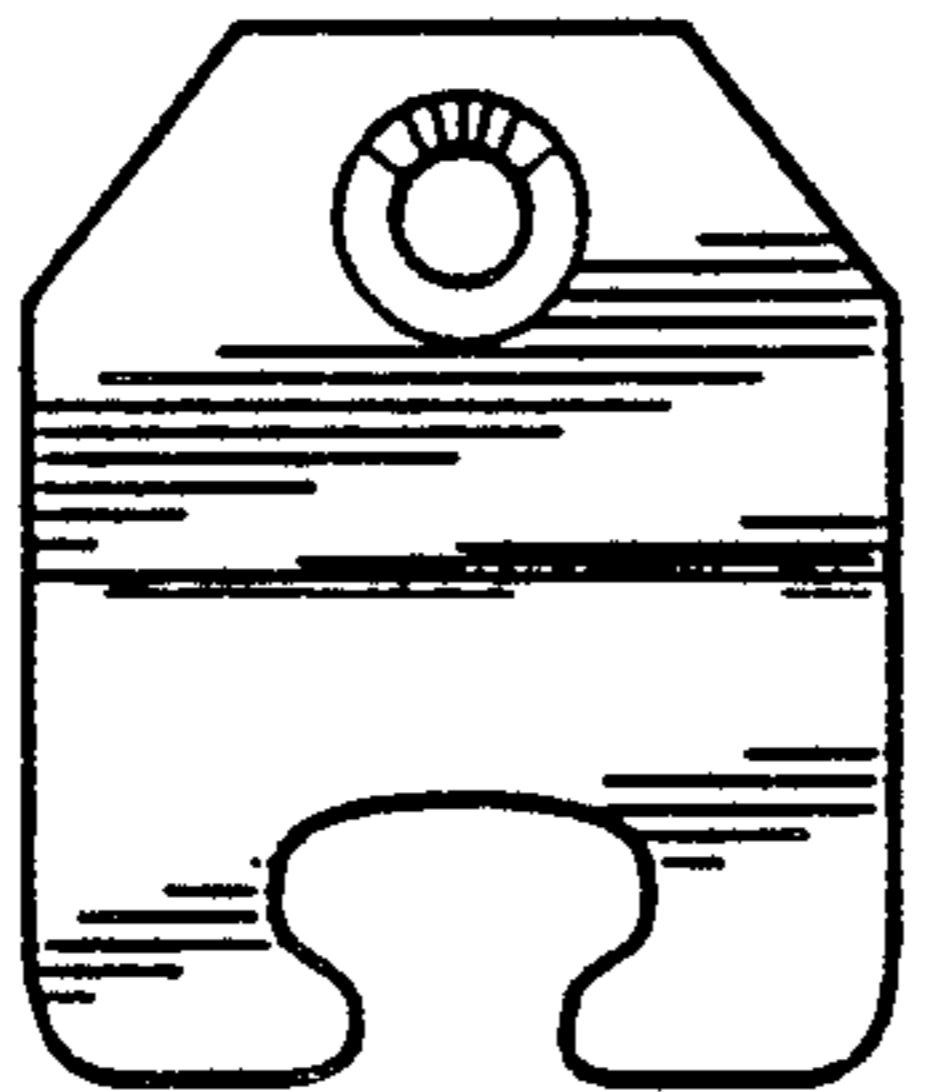


Fig. 2

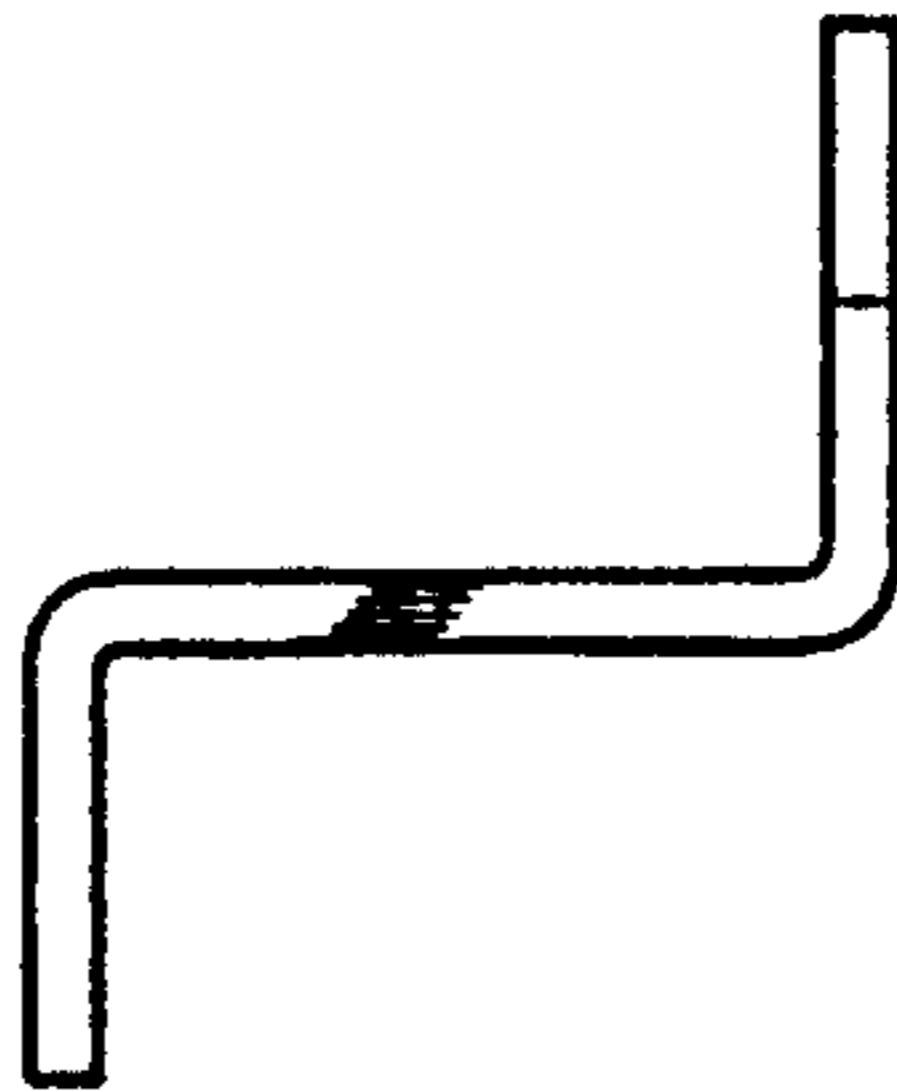


Fig. 6

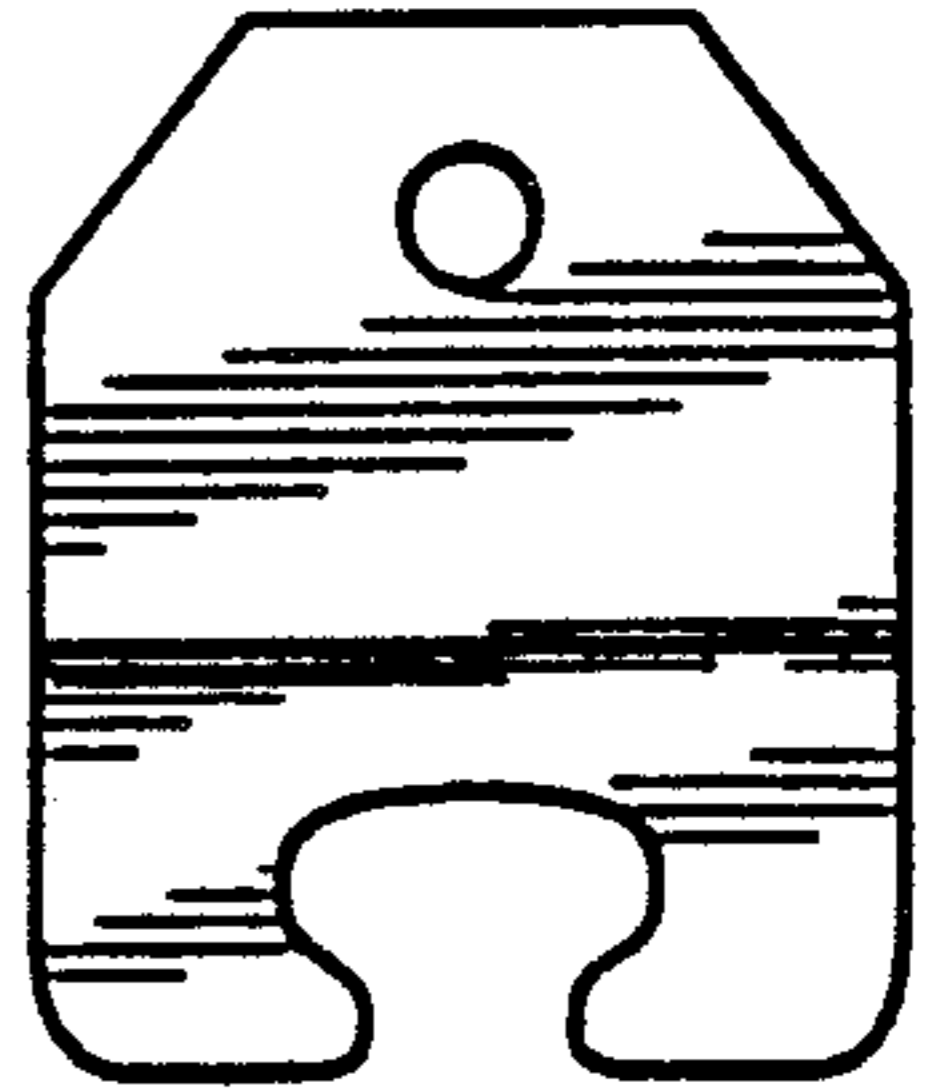


Fig. 7

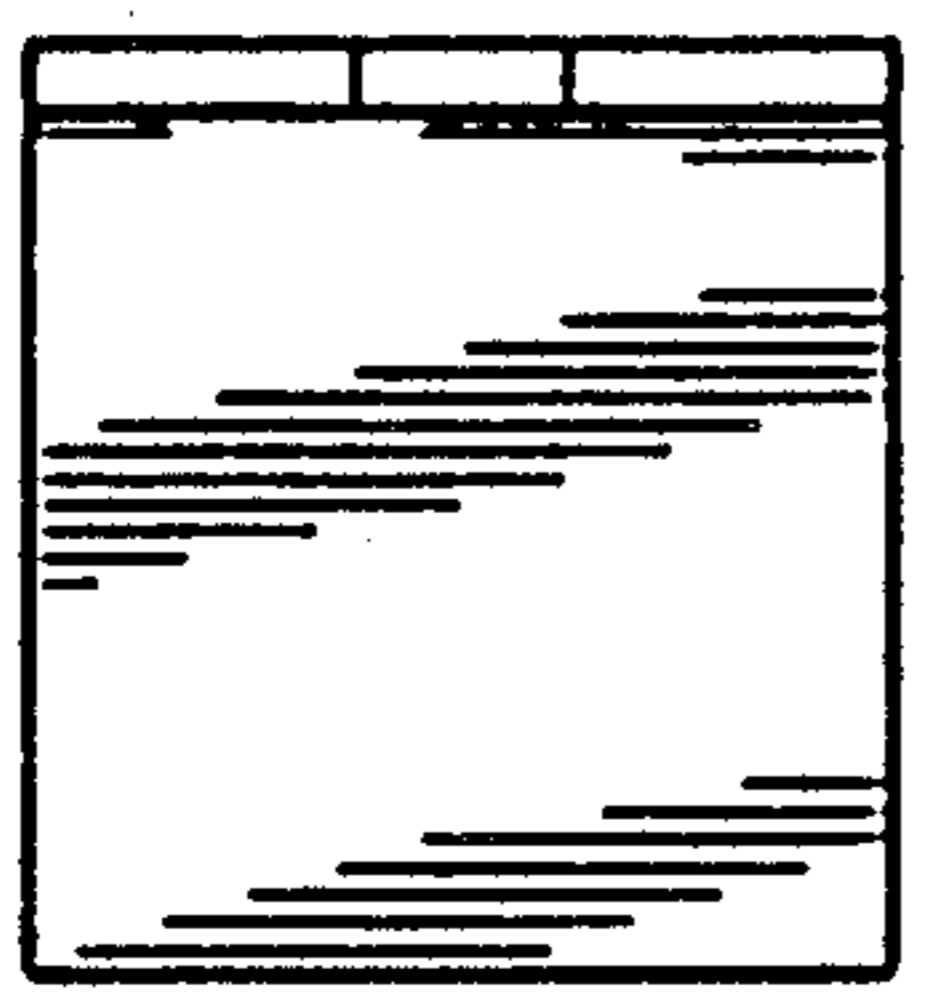


Fig. 4