



US00D325561S

United States Patent [19]

[11] Patent Number: **Des. 325,561**

Wilson

[45] Date of Patent: **** Apr. 21, 1992**

[54] MOTOR COVER

D. 154,811 8/1949 Shaeffer D13/112

[76] Inventor: Jeffrey T. Wilson, 1977 Alamanda Dr., Naples, Fla. 33940

Primary Examiner—Susan J. Lucas
Assistant Examiner—J. Sincavage
Attorney, Agent, or Firm—Merrill N. Johnson

[**] Term: 14 Years

[57] CLAIM

[21] Appl. No.: 571,428

The ornamental design for a motor cover, as shown and described.

[22] Filed: Aug. 23, 1990

[52] U.S. Cl. D13/118

[58] Field of Search D13/110, 112, 118;
310/42, 85, 89

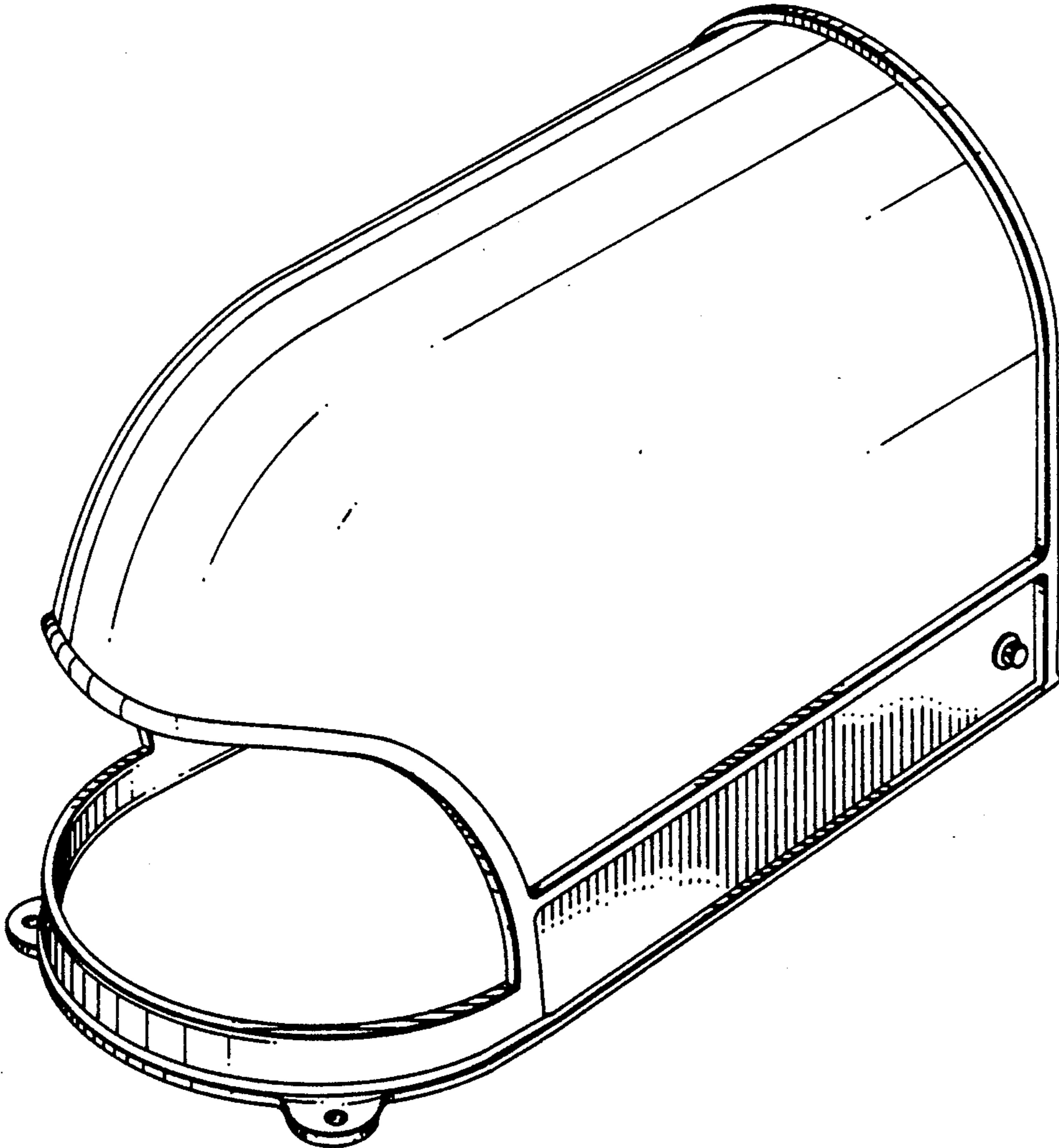
DESCRIPTION

[56] References Cited

U.S. PATENT DOCUMENTS

- D. 122,788 10/1940 Cohen D13/112
- D. 130,834 12/1941 Woods D13/112
- D. 147,207 7/1947 Preble, Jr. D13/112 X
- D. 148,332 1/1948 Scofield et al. D13/110

FIG. 1 is a front and upper left perspective view of a motor cover showing my new design;
 FIG. 2 is a top plan view of a motor cover showing my new design on a reduced scale;
 FIG. 3 is a bottom plan view thereof;
 FIG. 4 is a right side elevational view thereof, the left side elevational view thereof being a mirror image;
 FIG. 5 is a front elevational view thereof; and,
 FIG. 6 is a rear elevational view thereof.



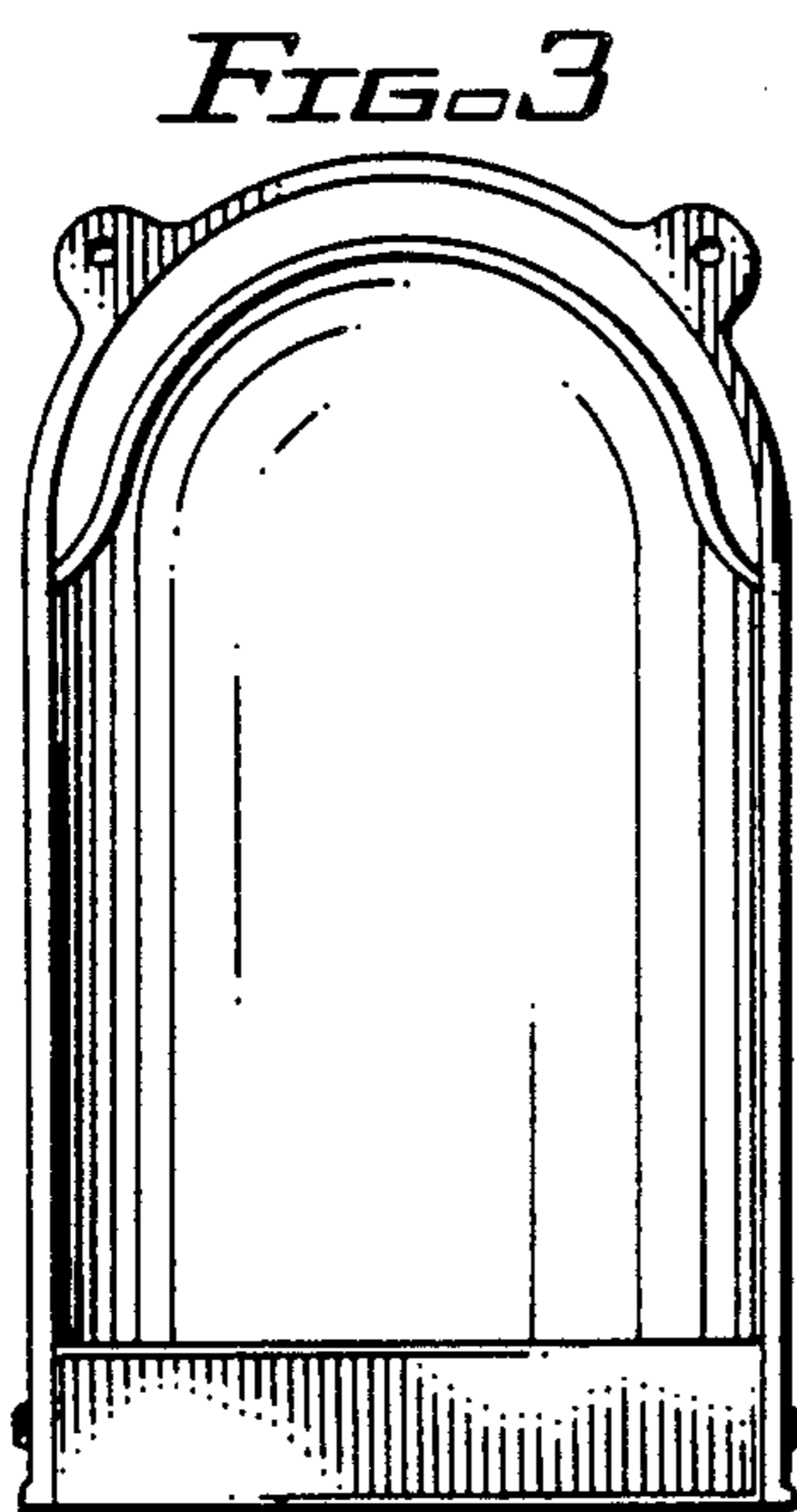
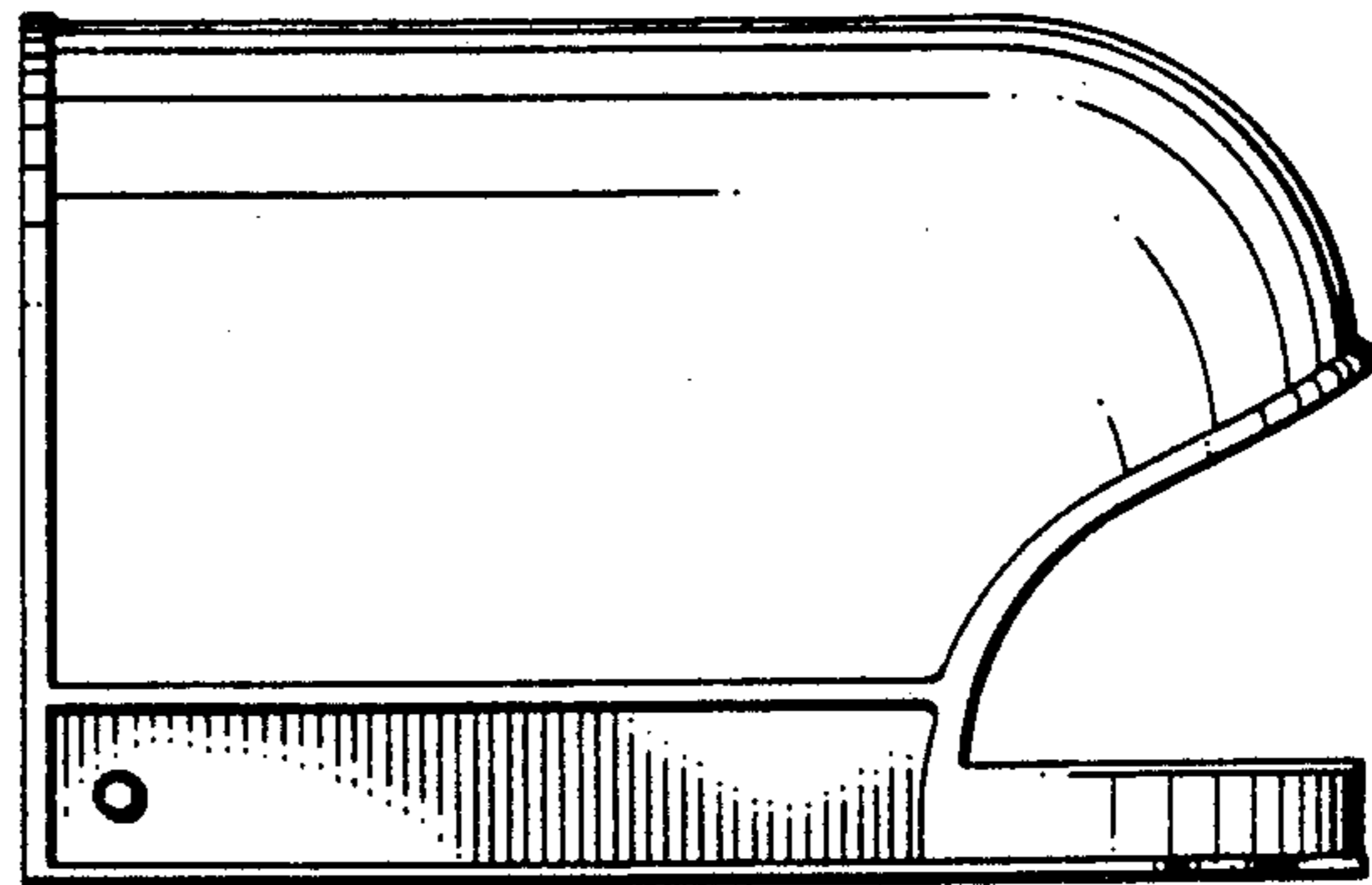
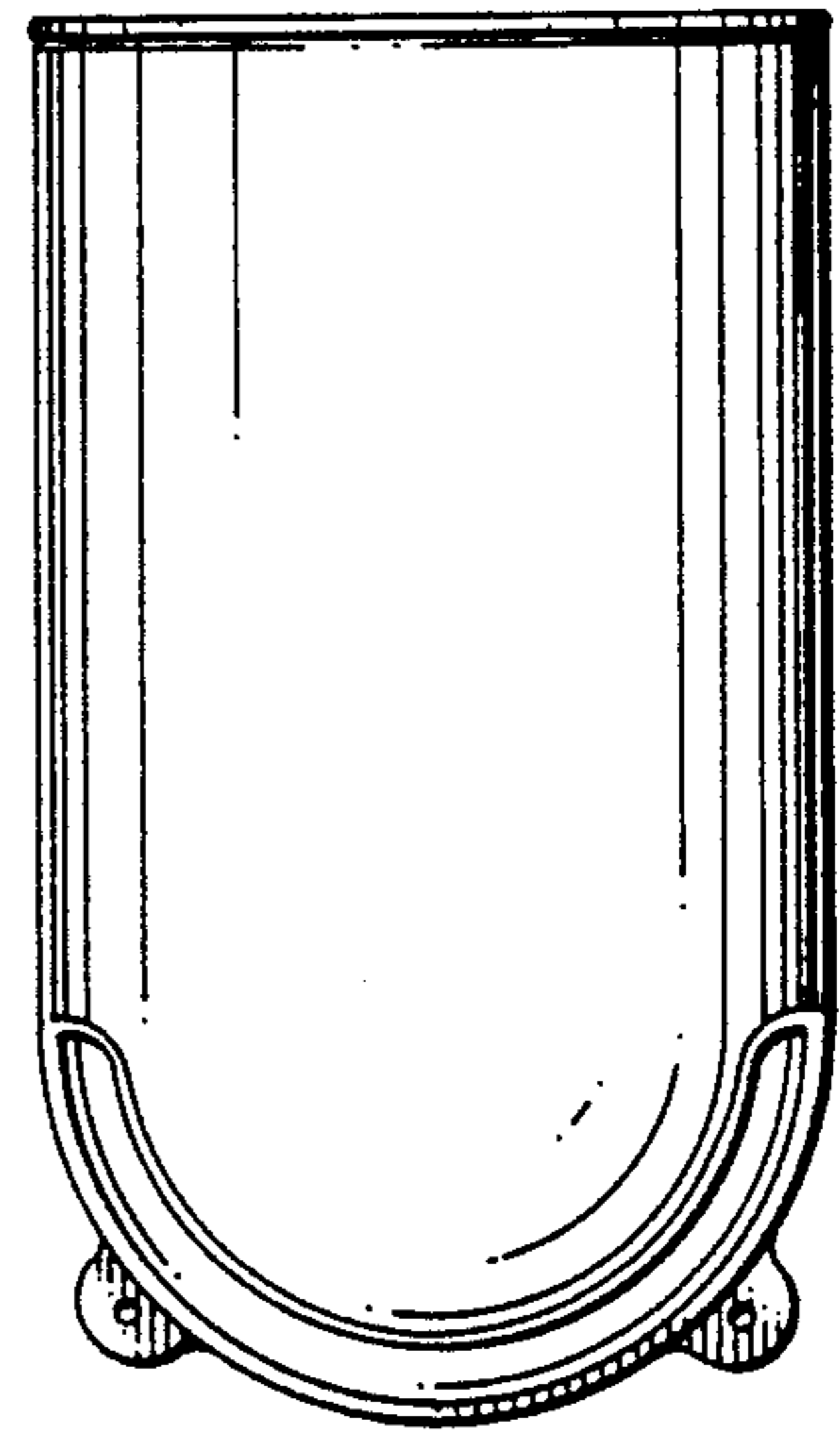
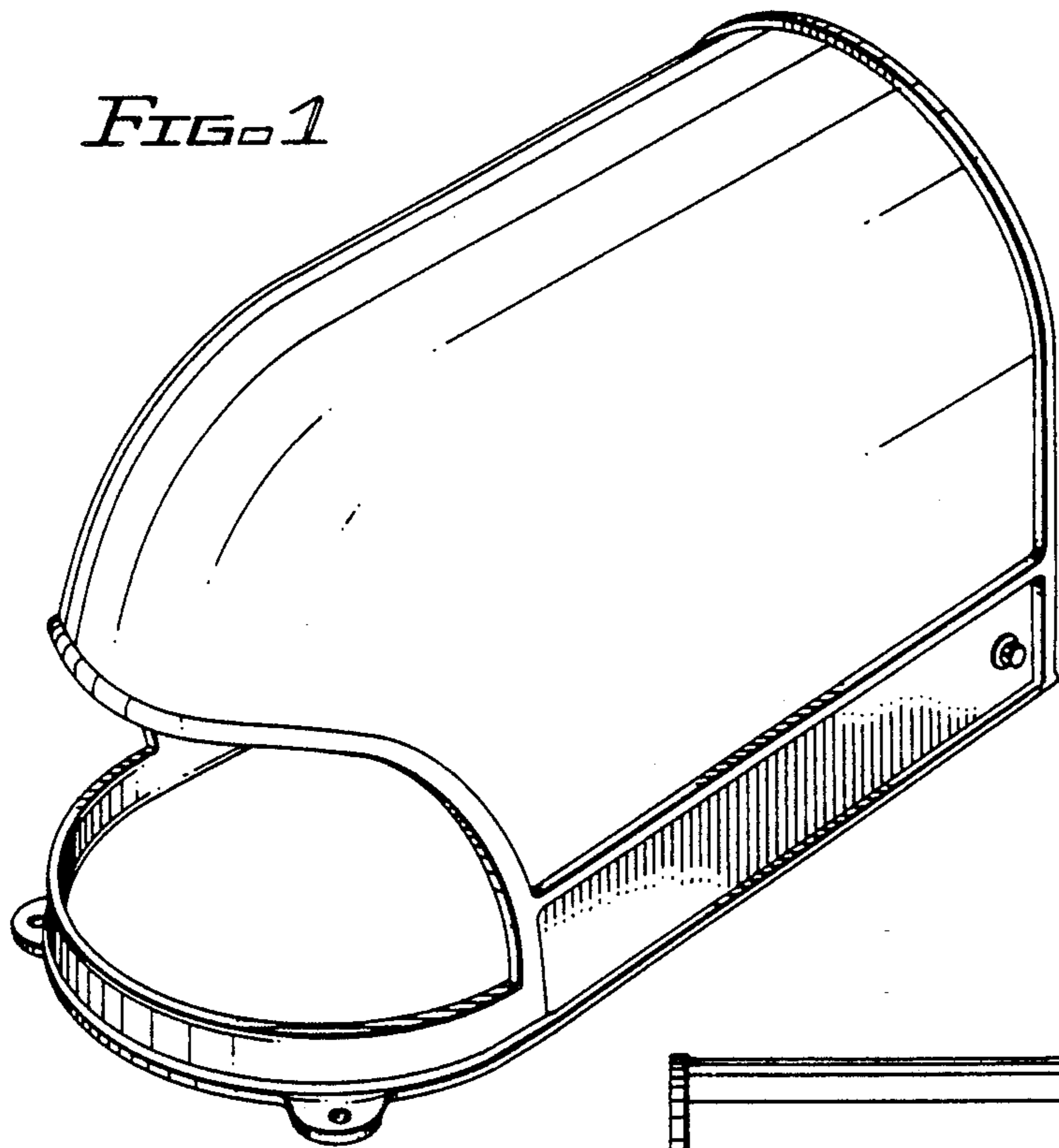


FIG. 4

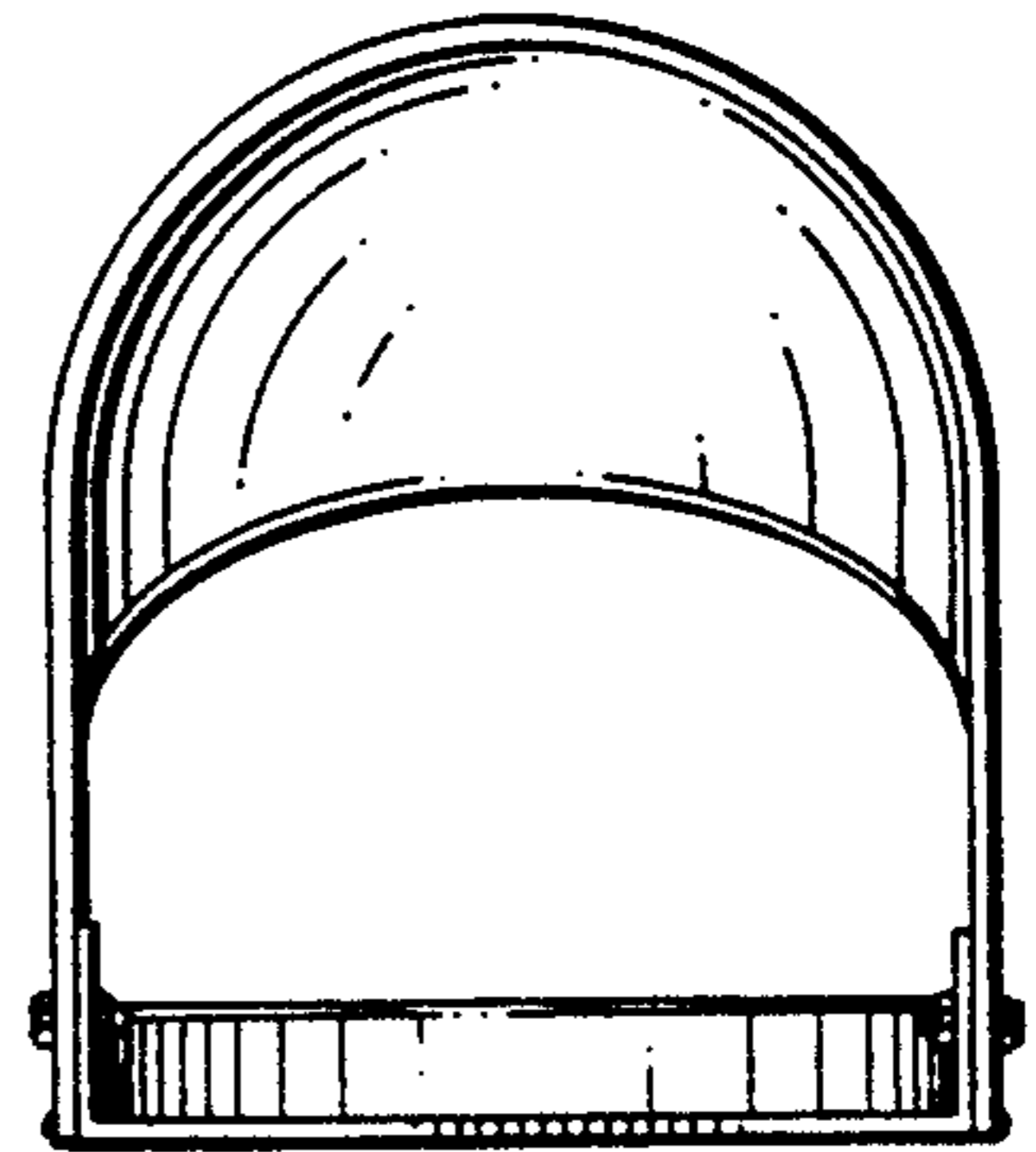
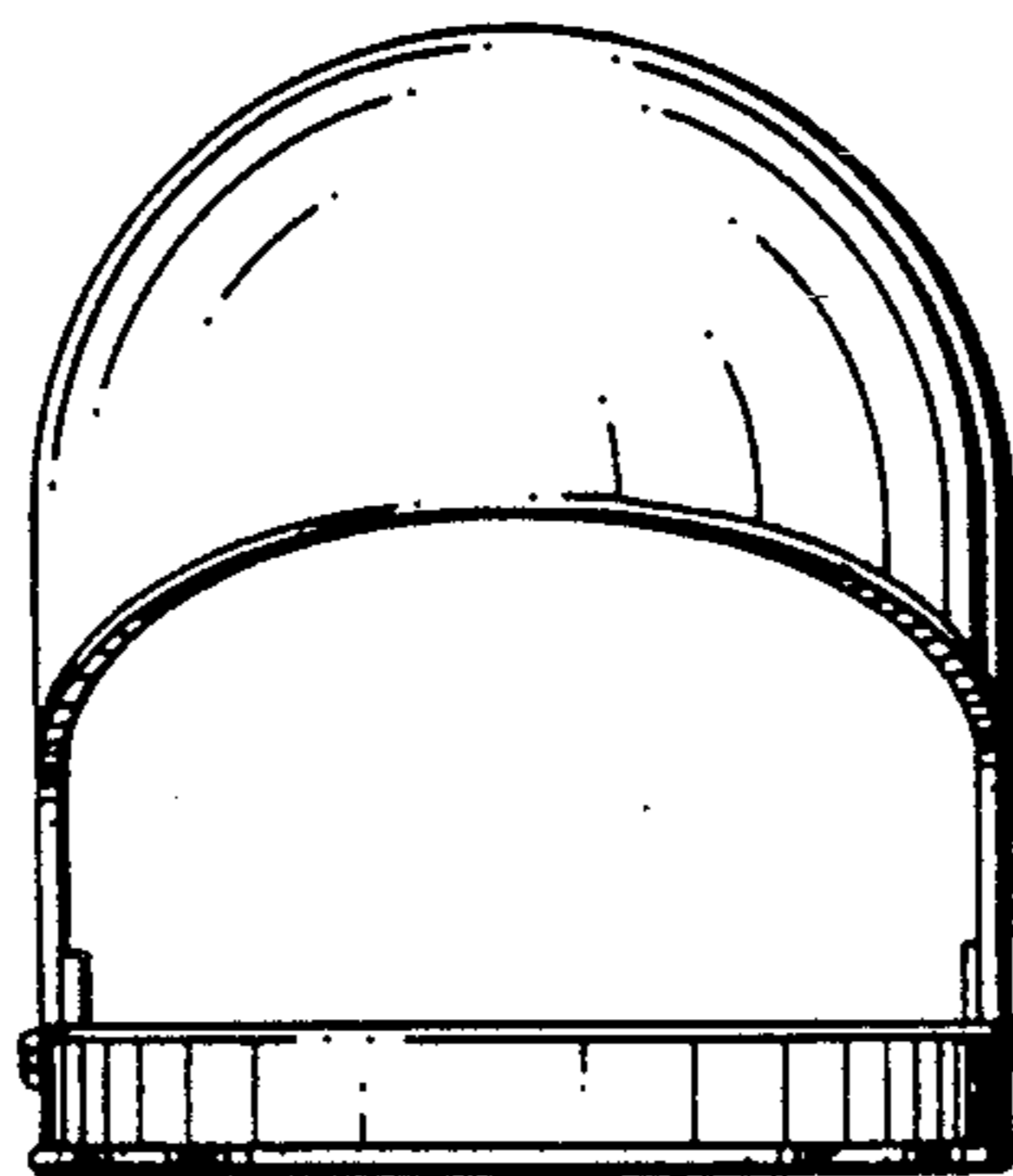


FIG. 5

FIG. 6