



US00D325558S

# United States Patent [19] Clivio

[11] Patent Number: Des. 325,558  
[45] Date of Patent: \*\* Apr. 21, 1992

[54] BATTERY PACK  
[75] Inventor: Franco Clivio, Zürich, Switzerland  
[73] Assignee: Gardena Kress & Kastner GmbH,  
Fed. Rep. of Germany  
[\*\*] Term: 14 Years  
[21] Appl. No.: 450,007  
[22] Filed: Dec. 12, 1989  
[30] Foreign Application Priority Data  
Jul. 4, 1989 [DE] Fed. Rep. of Germany ..... 8904724  
[52] U.S. Cl. .... D13/103  
[58] Field of Search ..... D13/103, 119; D15/199;  
310/50; 429/48, 54, 96, 97, 98, 99, 100, 121,  
122, 123, 163, 176, 178, 187

5,006,740 3/1991 Palm ..... 310/50

### OTHER PUBLICATIONS

Toshiba brochure "Das Akku-Programm für Industrie und Handwerk", pp. 1, 8.  
Hitachi "Elektrowerkzeuge", 1990, pp. 1, 23.  
AEG system 2000 brochure.

Primary Examiner—Donald P. Walsh  
Assistant Examiner—Antoine D. Davis  
Attorney, Agent, or Firm—Eckert Seamans Cherin & Mellott

### CLAIM

[57] The ornamental design for a battery pack, as shown or described.

### DESCRIPTION

FIG. 1 is a perspective view of a battery pack showing my new design;  
FIG. 2 is a top plan view;  
FIG. 3 is a left side elevational view;  
FIG. 4 is a bottom plan view;  
FIG. 5 is a left side elevational view;  
FIG. 6 is a front elevational view; and,  
FIG. 7 is a rear elevational view thereof.  
FIG. 1 has been drawn on an enlarged scale with respect to FIGS. 2-7 thereof.

[56] References Cited  
U.S. PATENT DOCUMENTS  
D. 306,573 3/1990 Shultz ..... D13/103  
D. 306,574 3/1990 Schultz ..... D13/103  
D. 306,851 3/1990 Weimann ..... D13/103  
D. 313,391 1/1991 Pudwill ..... D13/103  
2,385,127 9/1945 Carlile ..... 429/163  
3,999,110 12/1976 Ramstrom et al. .... 429/96 X  
4,578,628 3/1986 Siwiak ..... 429/97 X  
4,892,794 1/1990 Scholz ..... 429/163 X

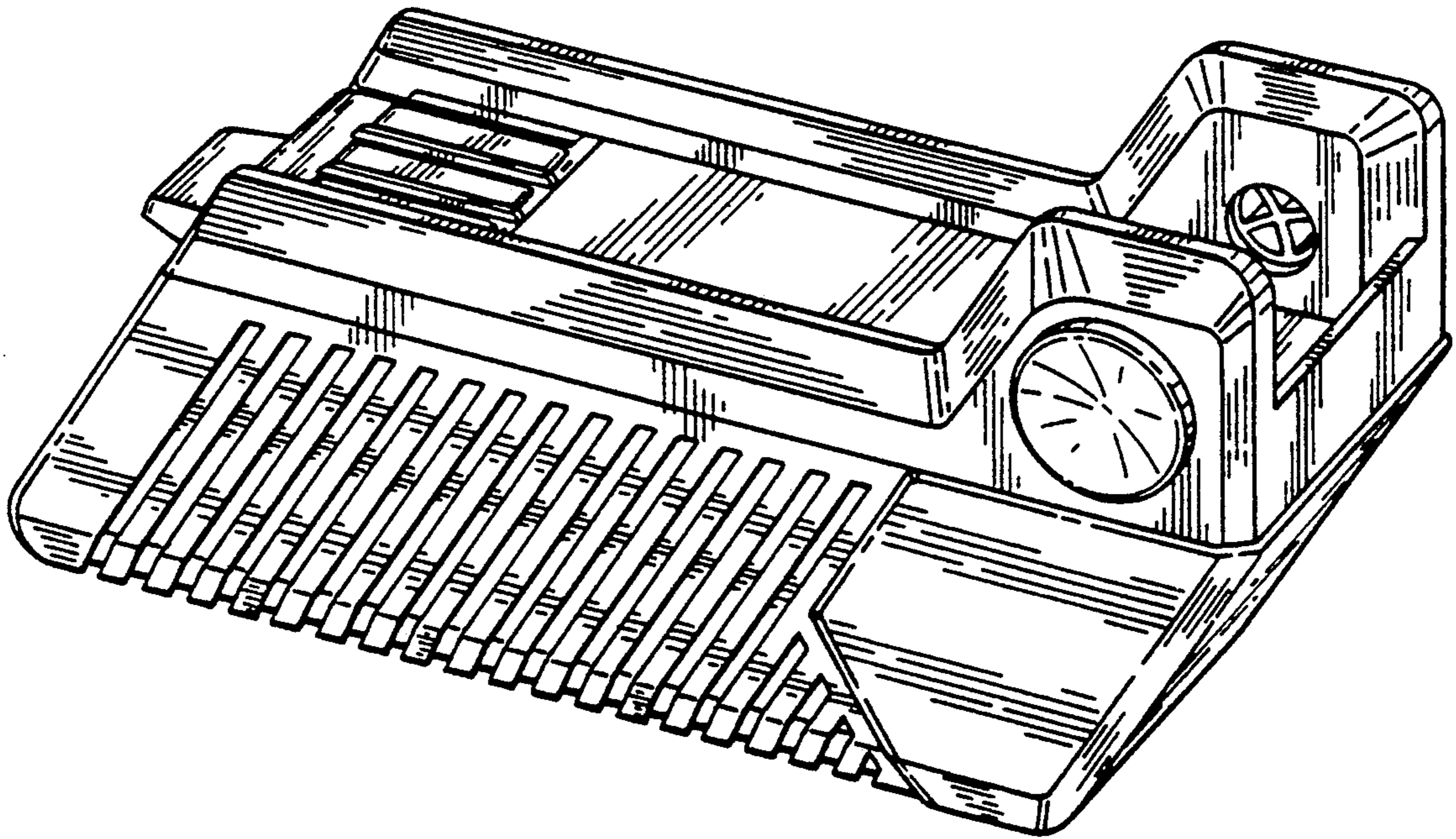


FIG. 1

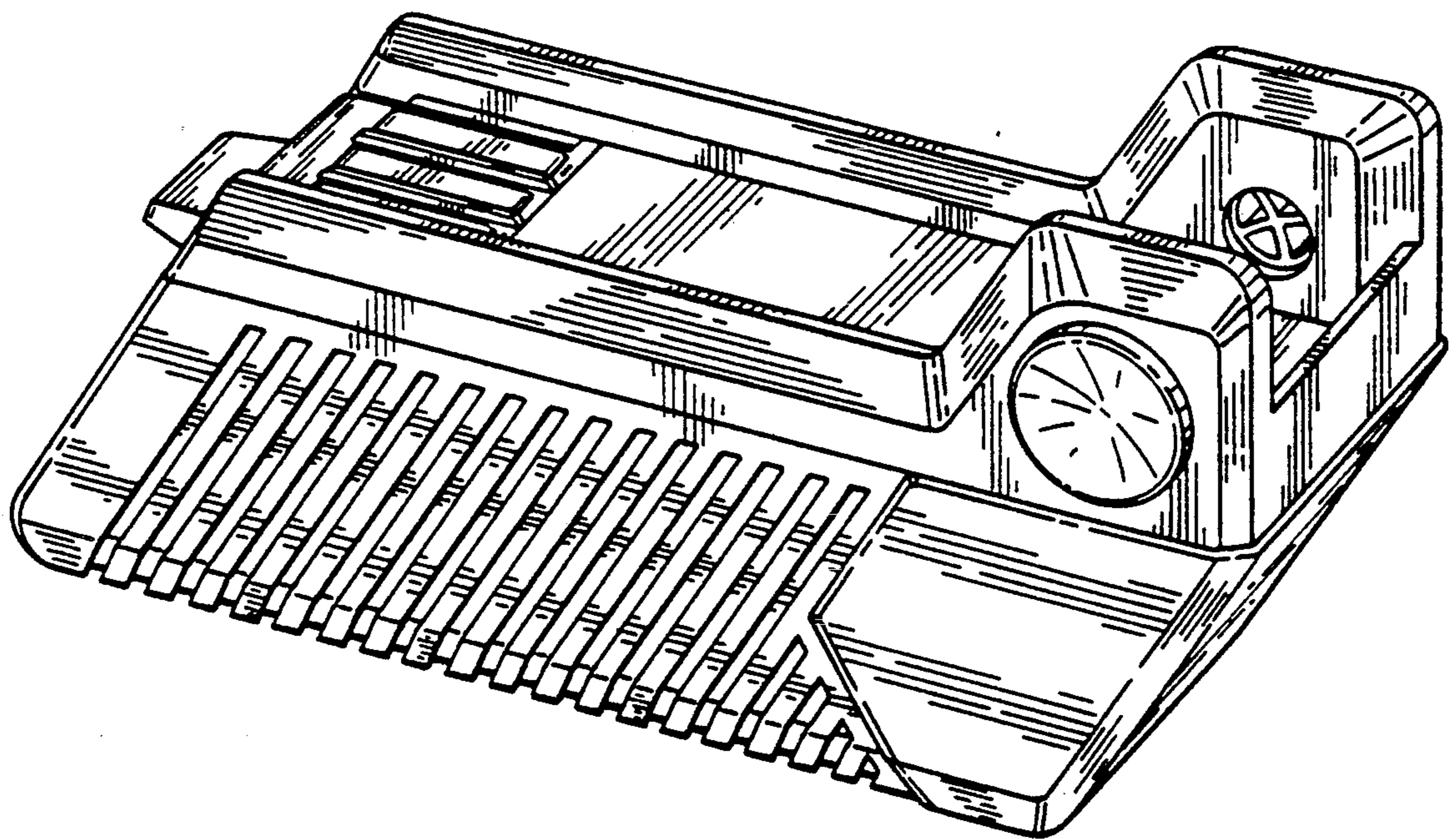


FIG. 2

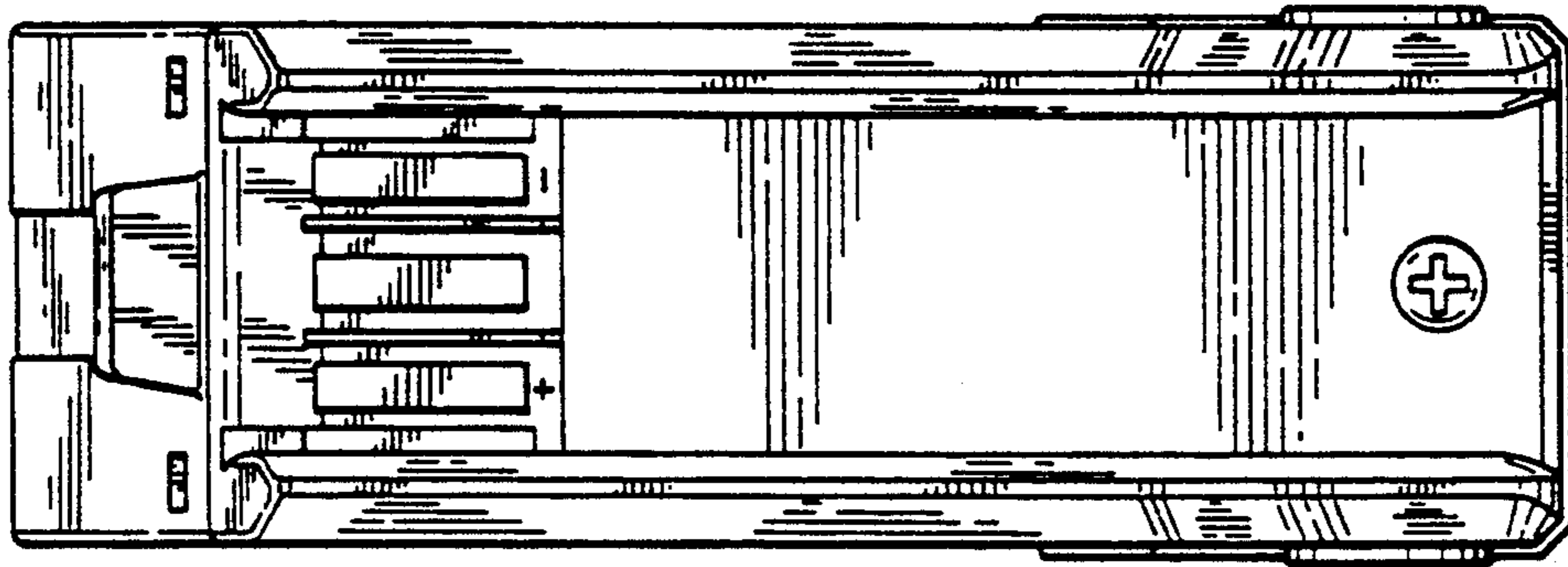


FIG. 3

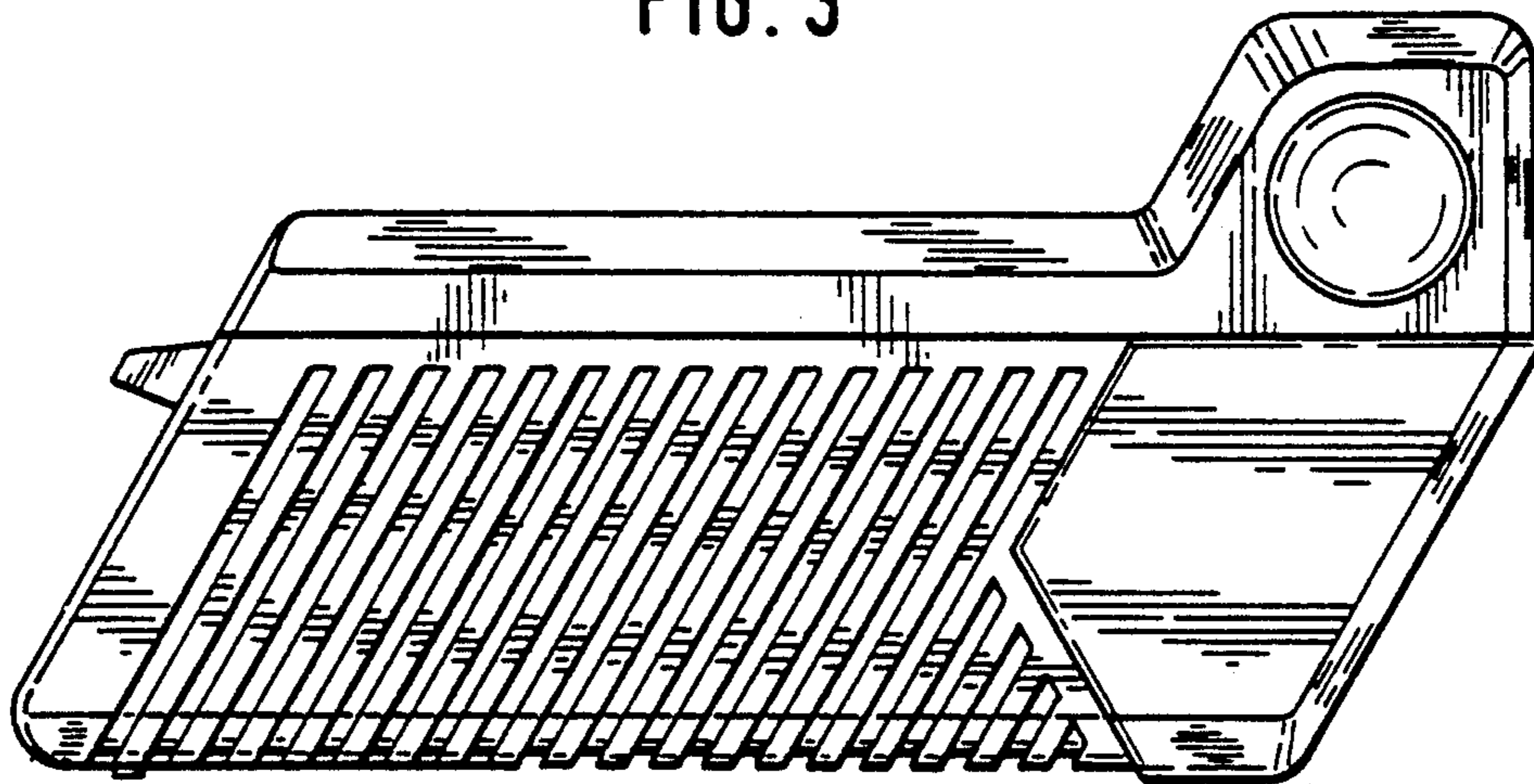


FIG. 4

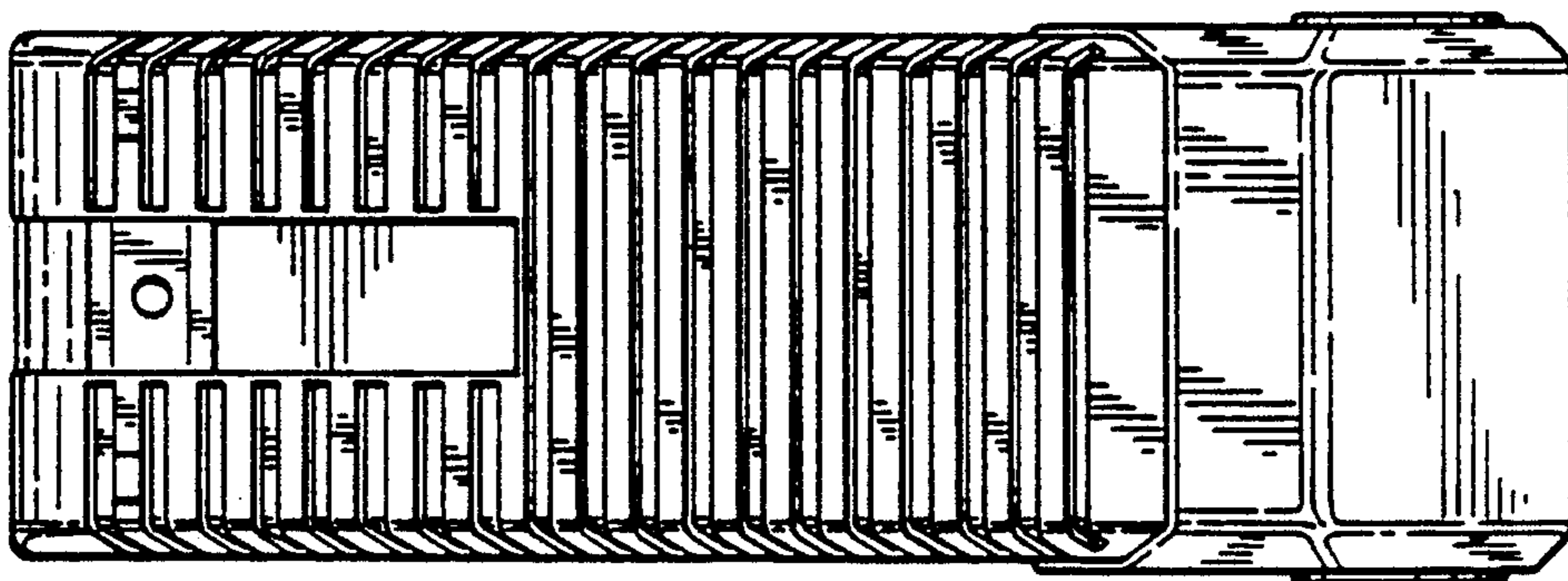


FIG. 5

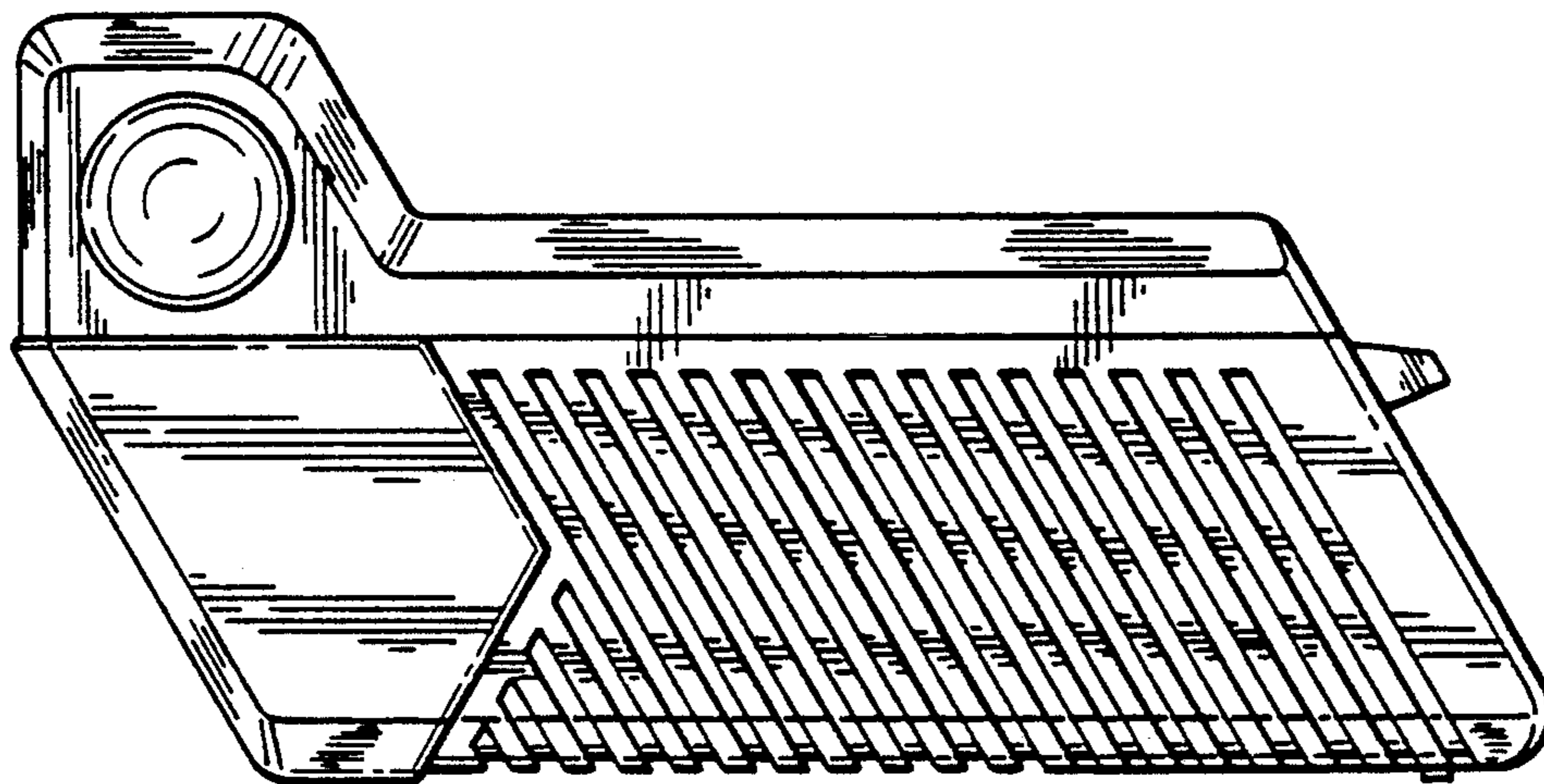


FIG. 6

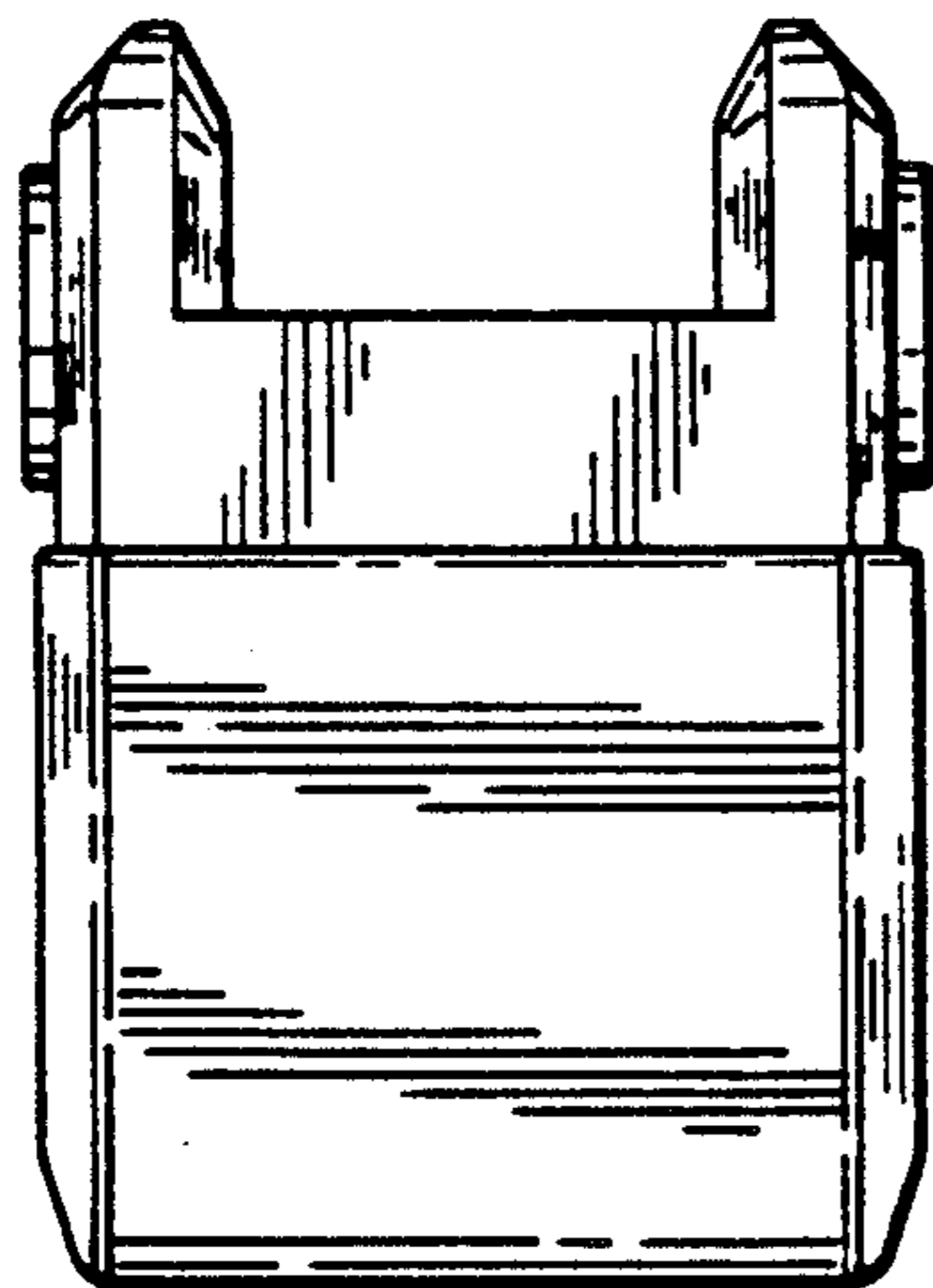


FIG. 7

