



US00D325554S

United States Patent [19]

[11] Patent Number: **Des. 325,554**

Min-Jenn

[45] Date of Patent: **** Apr. 21, 1992**

[54] **WRITING BOARD FOR ATTACHMENT TO A VEHICLE SUN VISOR**

Primary Examiner—James M. Gandy
Attorney, Agent, or Firm—Notaro & Michalos

[76] Inventor: **Liaw Min-Jenn**, 9F., No. 1291,
Cherng Der Road, Taipei, Taiwan

[57] **CLAIM**

[**] Term: **14 Years**

The ornamental design for a writing board for attachment to a vehicle sun visor, as shown.

[21] Appl. No.: **516,837**

DESCRIPTION

[22] Filed: **Apr. 30, 1990**

FIG. 1 is a front perspective view of a writing board for attachment to a vehicle sun visor, showing my new design;

[52] U.S. Cl. **D12/191**

FIG. 2 is a front elevational view thereof;

[58] Field of Search D12/191; D3/40; D19/52,
D19/80; 224/312; 296/97.1, 97.2, 97.12

FIG. 3 is a rear elevational view thereof;

[56] **References Cited**

U.S. PATENT DOCUMENTS

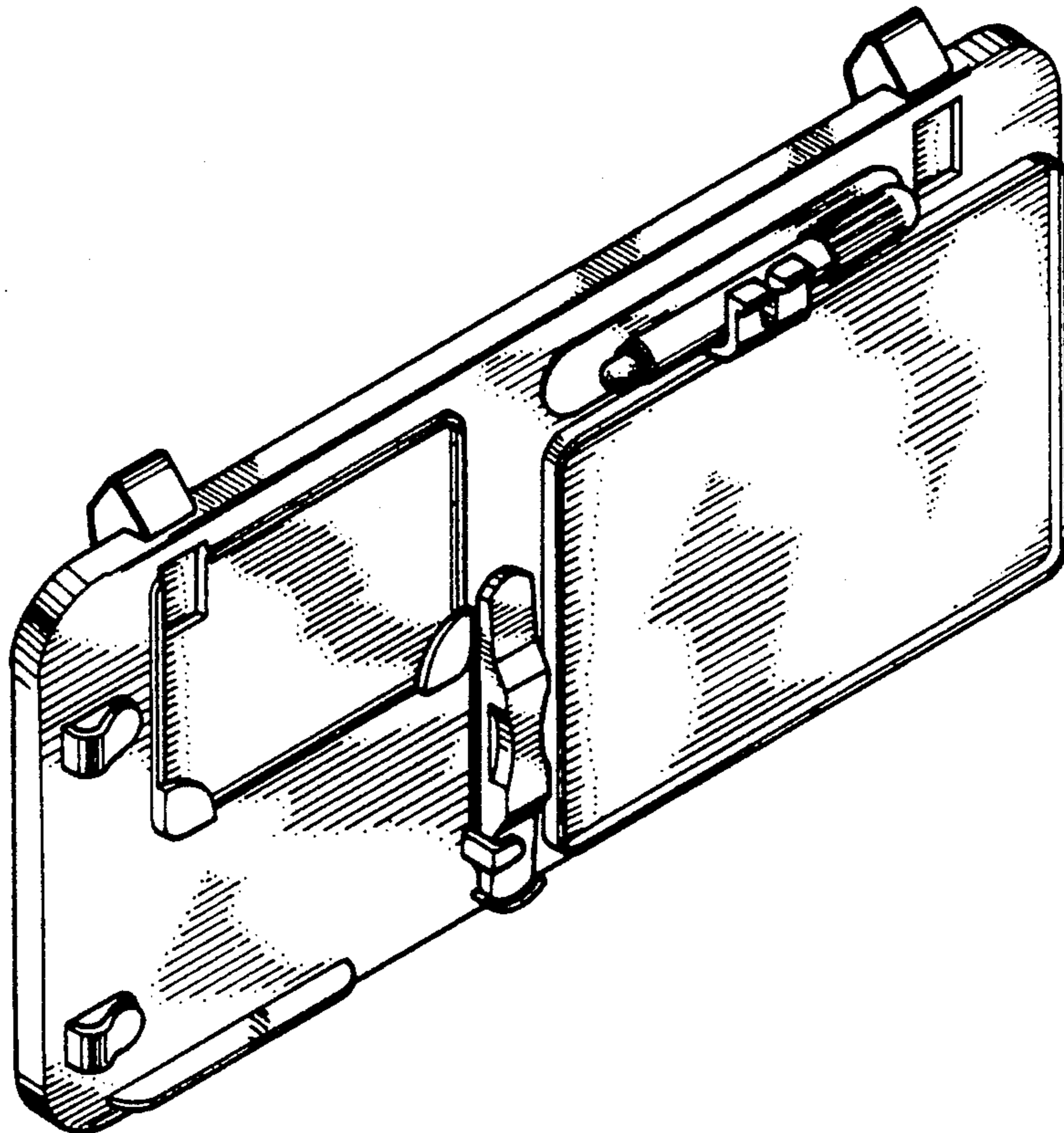
- D. 168,707 1/1953 Pavenick D12/191
- D. 265,083 6/1982 Divoky D12/191

FIG. 4 is a top plan view thereof;

FIG. 5 is a bottom plan view thereof;

FIG. 6 is a left side elevational view thereof; and

FIG. 7 is a right side elevational view thereof.



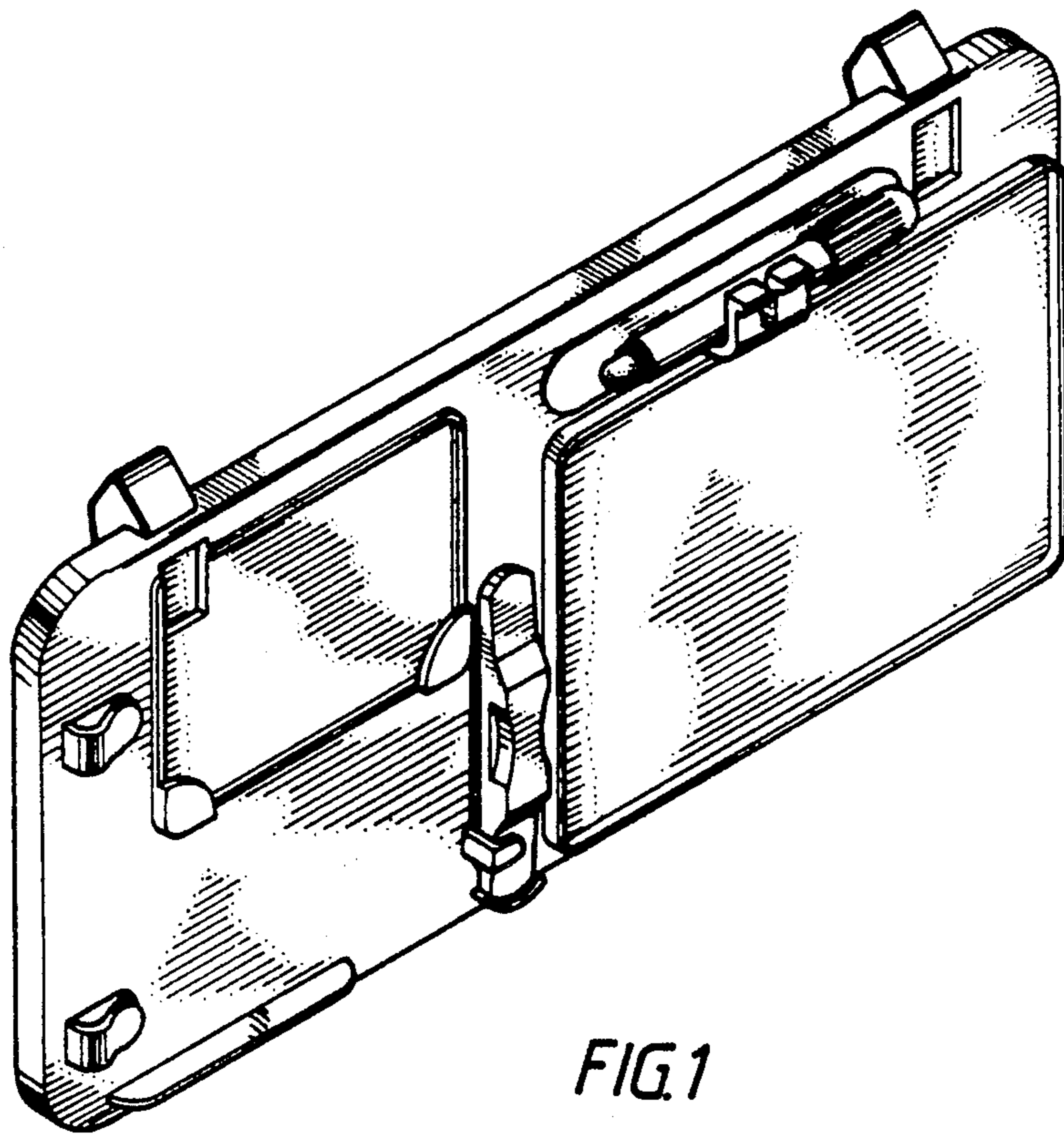


FIG. 1

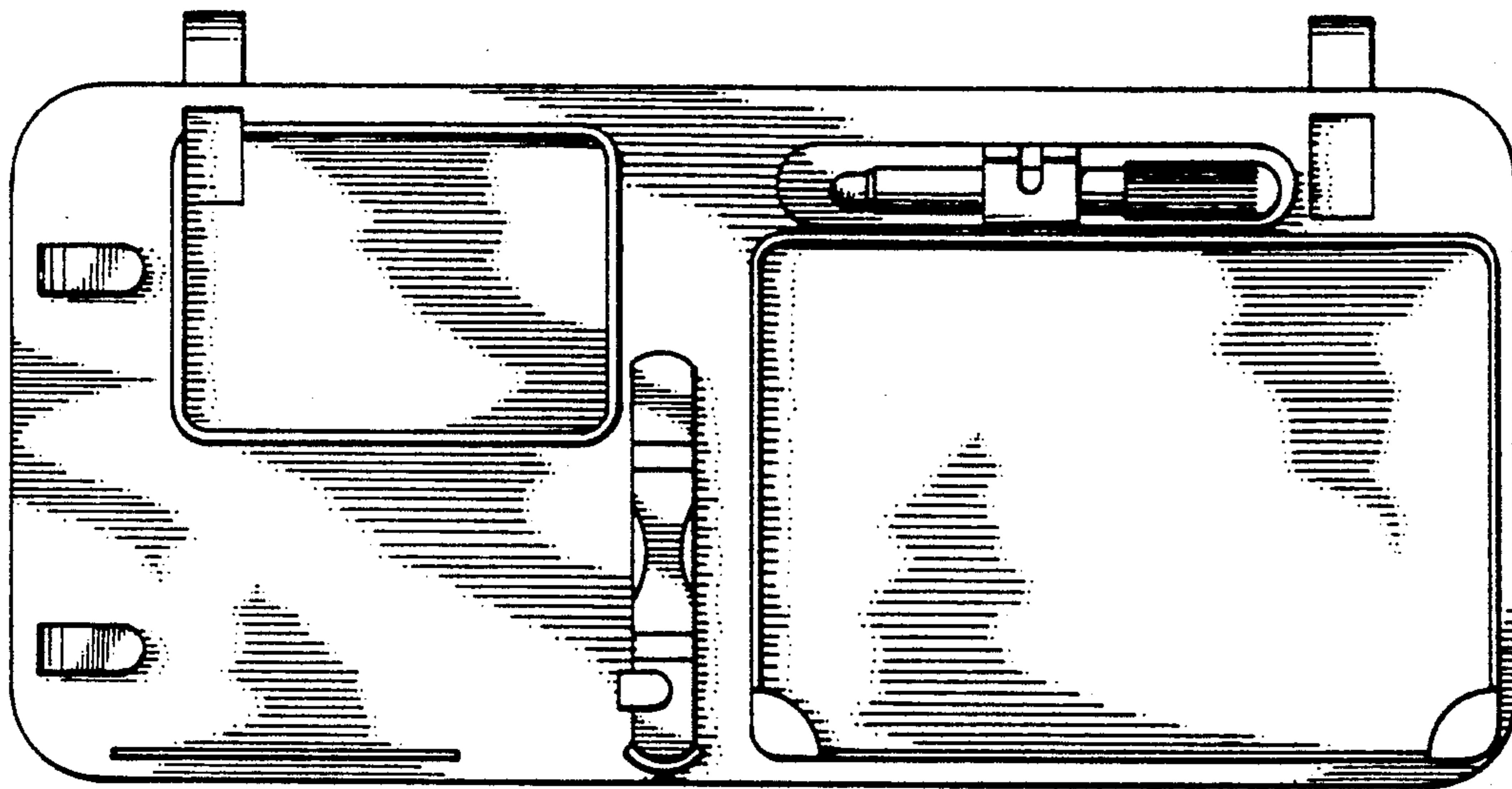


FIG. 2

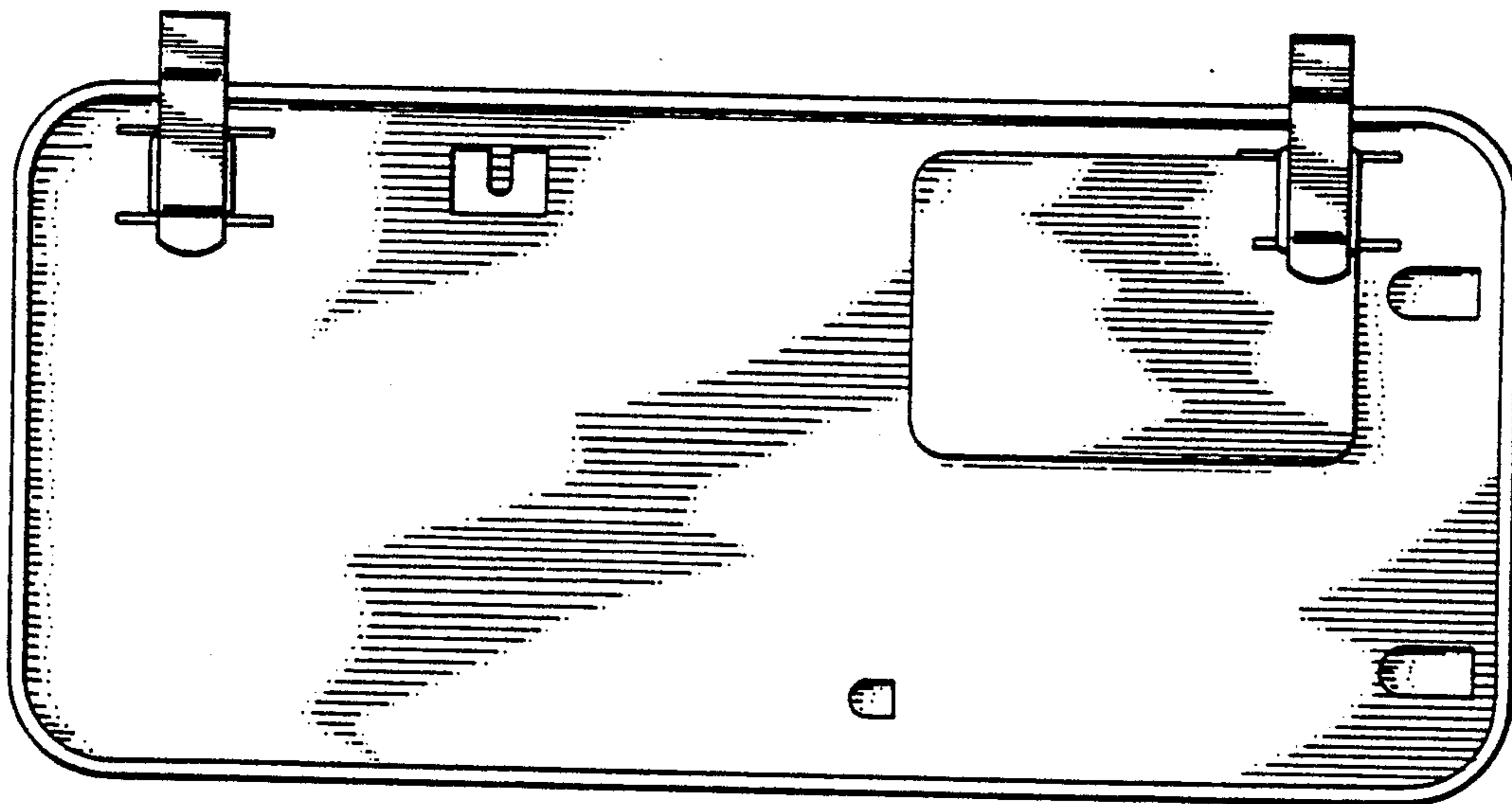


FIG. 3

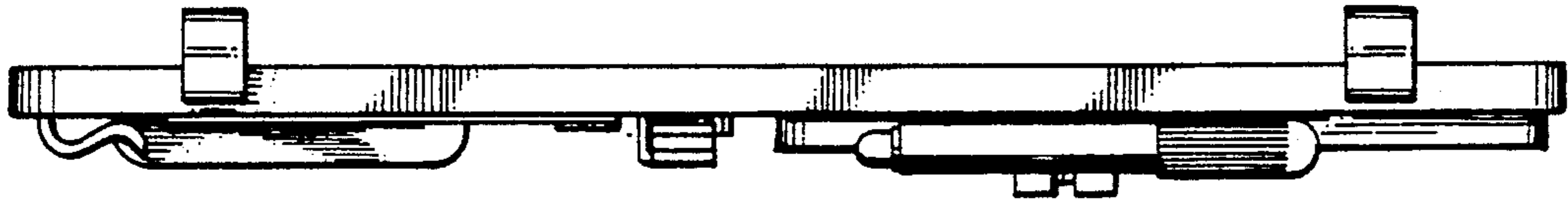


FIG. 4

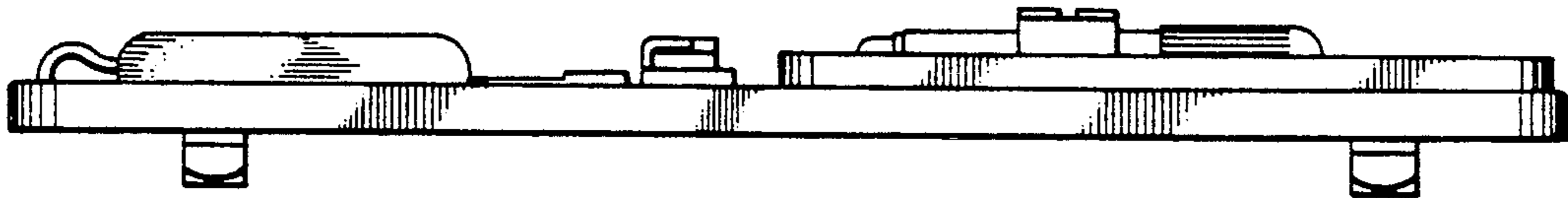


FIG. 5

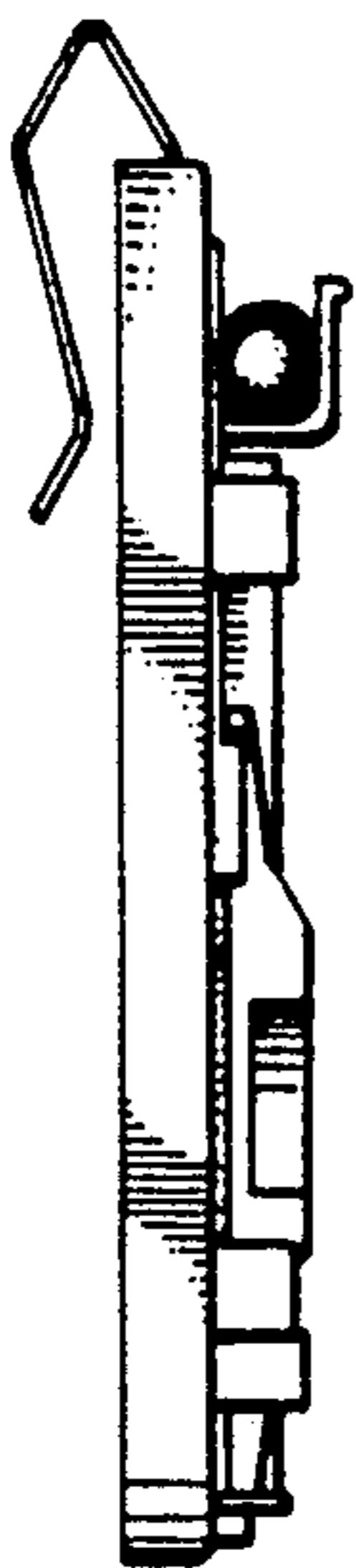


FIG. 6

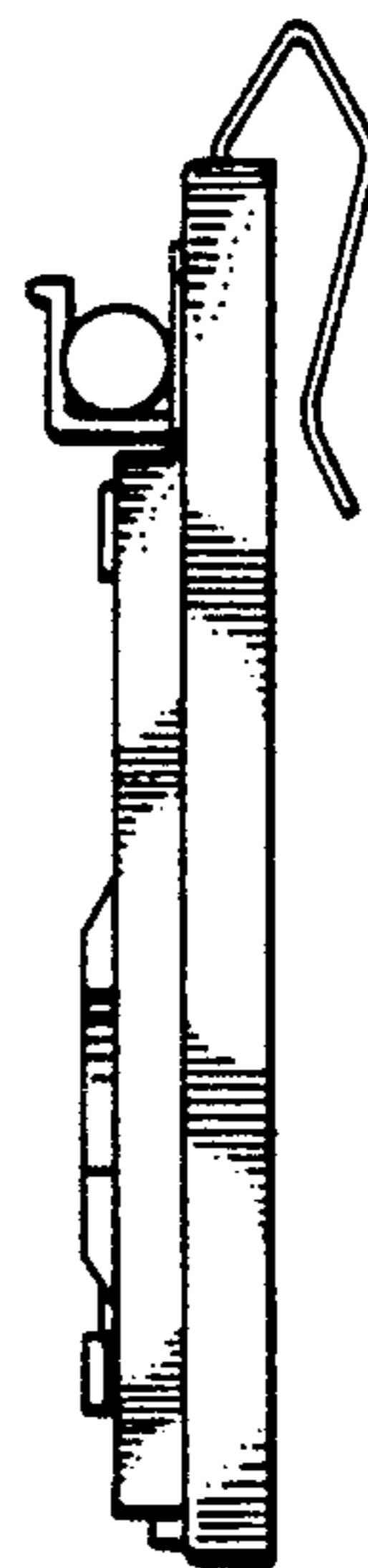


FIG. 7