



US00D325547S

United States Patent [19]

[11] Patent Number: **Des. 325,547**

Saito et al.

[45] Date of Patent: **** Apr. 21, 1992**

[54] **SLIDER FOR SLIDE FASTENER**

Attorney, Agent, or Firm—Hill, Van Santen, Steadman & Simpson

[75] Inventors: **Kiyohiko Saito, Noda; Yutaka Tominaga, Toyama, both of Japan**

[57] **CLAIM**

[73] Assignee: **Yoshida Kogyo K. K., Tokyo, Japan**

The ornamental design for a slider for slide fastener, as shown and described.

[**] Term: **14 Years**

DESCRIPTION

[21] Appl. No.: **600,230**

FIG. 1 is a front elevational view of a slider for slide fastener showing my new design;

[22] Filed: **Oct. 19, 1990**

FIG. 2 is a rear elevational view;

[52] U.S. Cl. **D11/221; D11/220**

FIG. 3 is a top plan view;

[58] Field of Search **D11/200, 201, 221; 24/381, 385, 415-417, 427-431; 70/456; 264/252; D19/73**

FIG. 4 is a bottom plan view;

FIG. 5 is a right side elevational view;

FIG. 6 is a sectional view taken along the lines 6-6 of FIG. 1;

[56] **References Cited**

U.S. PATENT DOCUMENTS

D. 146,197	1/1947	Staab	D19/73
1,752,111	3/1930	Rutherford	24/415
2,366,797	1/1945	Legat	24/430
3,579,747	5/1971	Hawley	24/430
4,308,644	1/1982	Brown	24/427

FIG. 7 is a sectional view taken along the lines 7-7 of FIG. 1;

FIG. 8 is a sectional view taken along the lines 8-8 of FIG. 5;

FIG. 9 is a sectional view taken along the lines 9-9 of FIG. 5; and,

FIG. 10 is a perspective view, the broken line showing of a slide pull and interlocking elements is for illustrative purposes only and forms no part of the claimed design.

Primary Examiner—A. Hugo Word

Assistant Examiner—R. Seifert

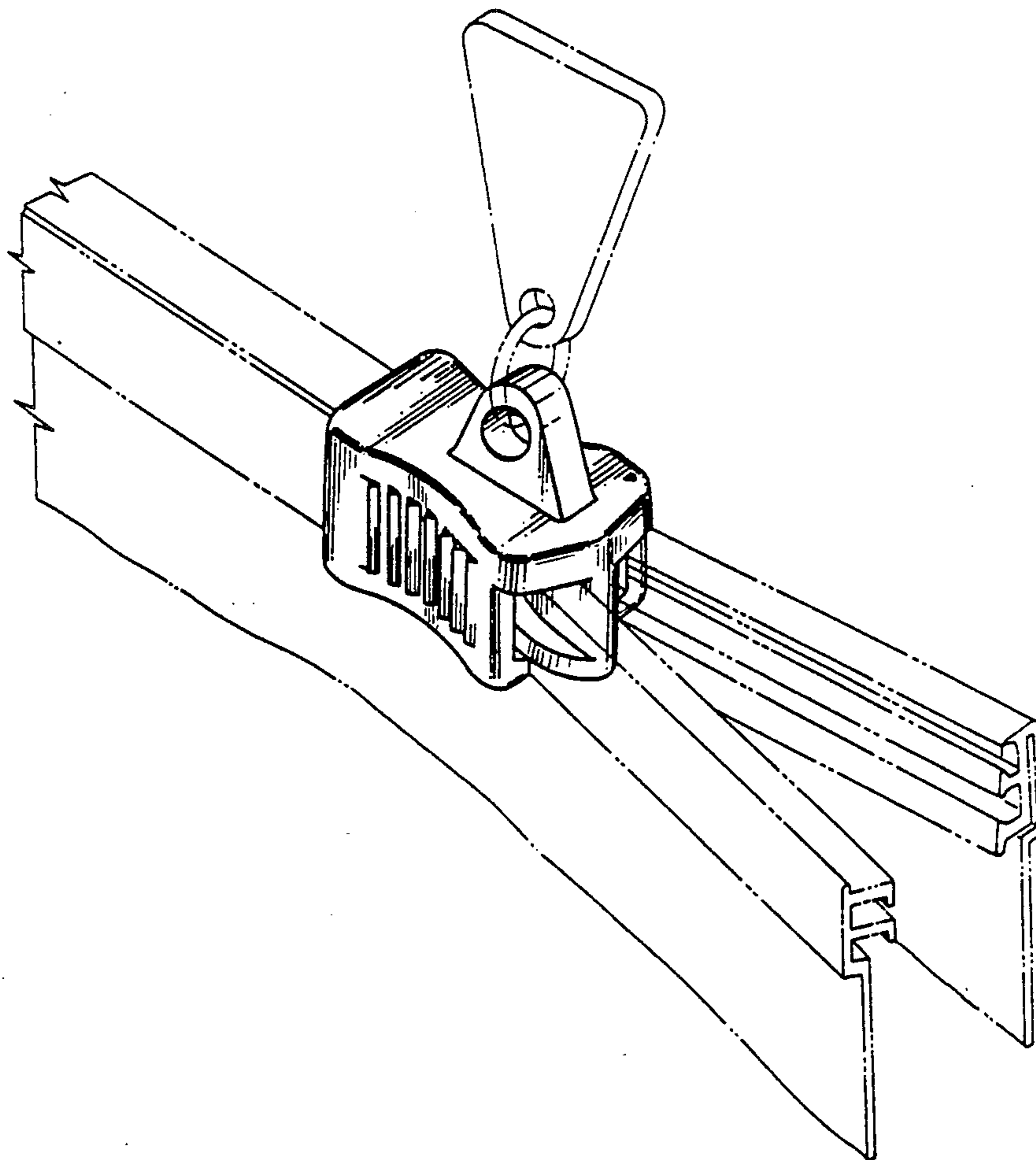


FIG. 1

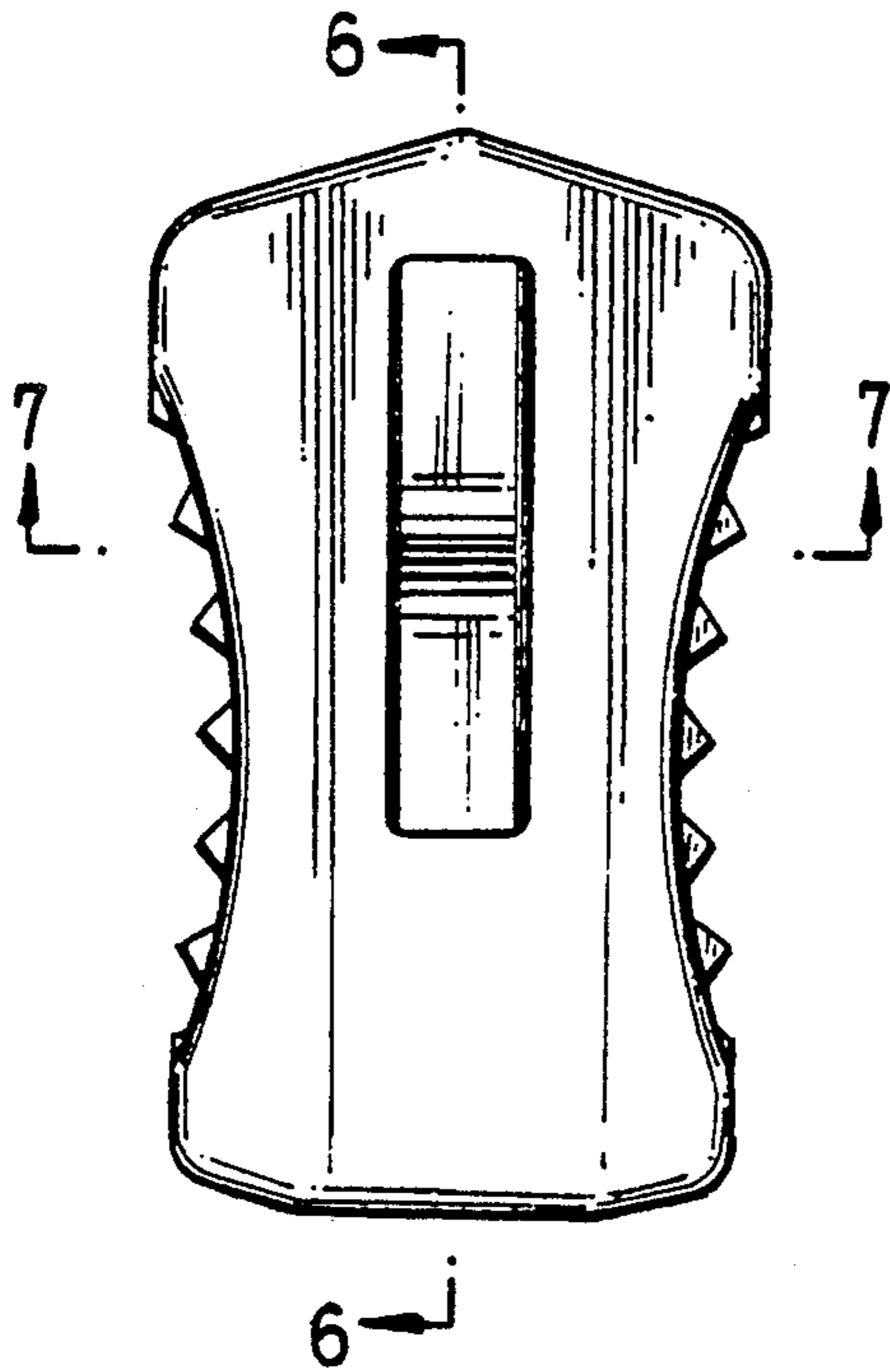


FIG. 2

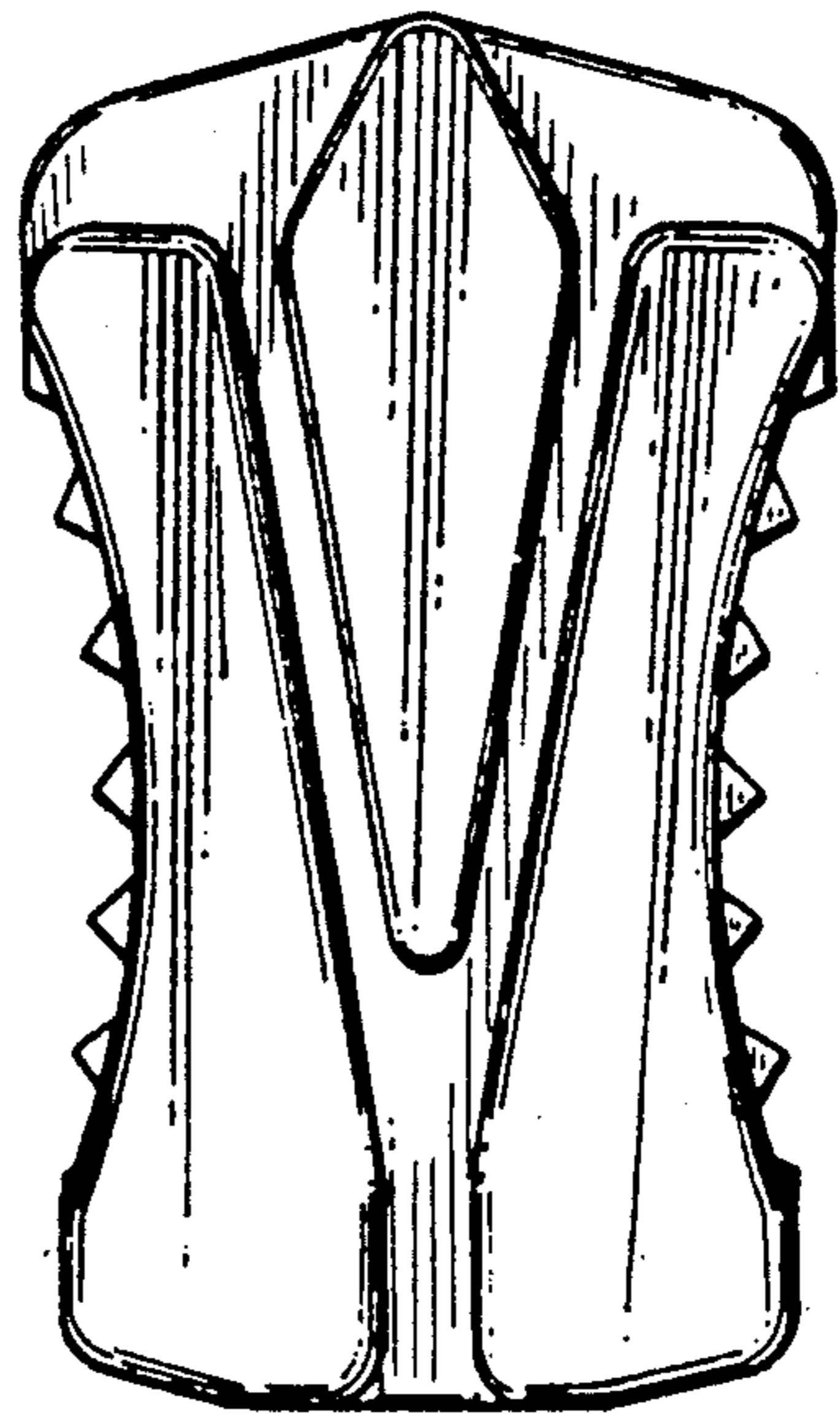


FIG. 3

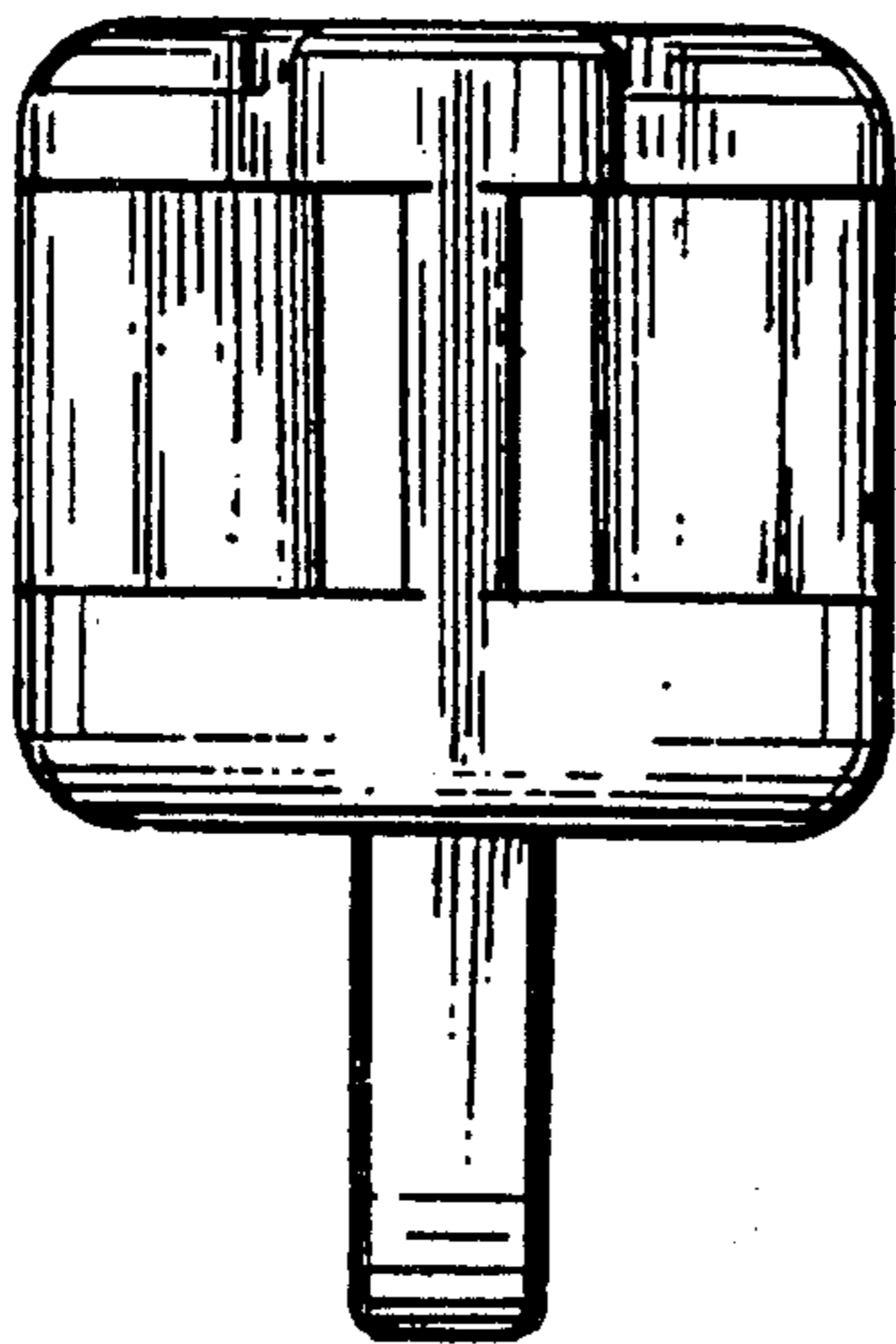


FIG. 4

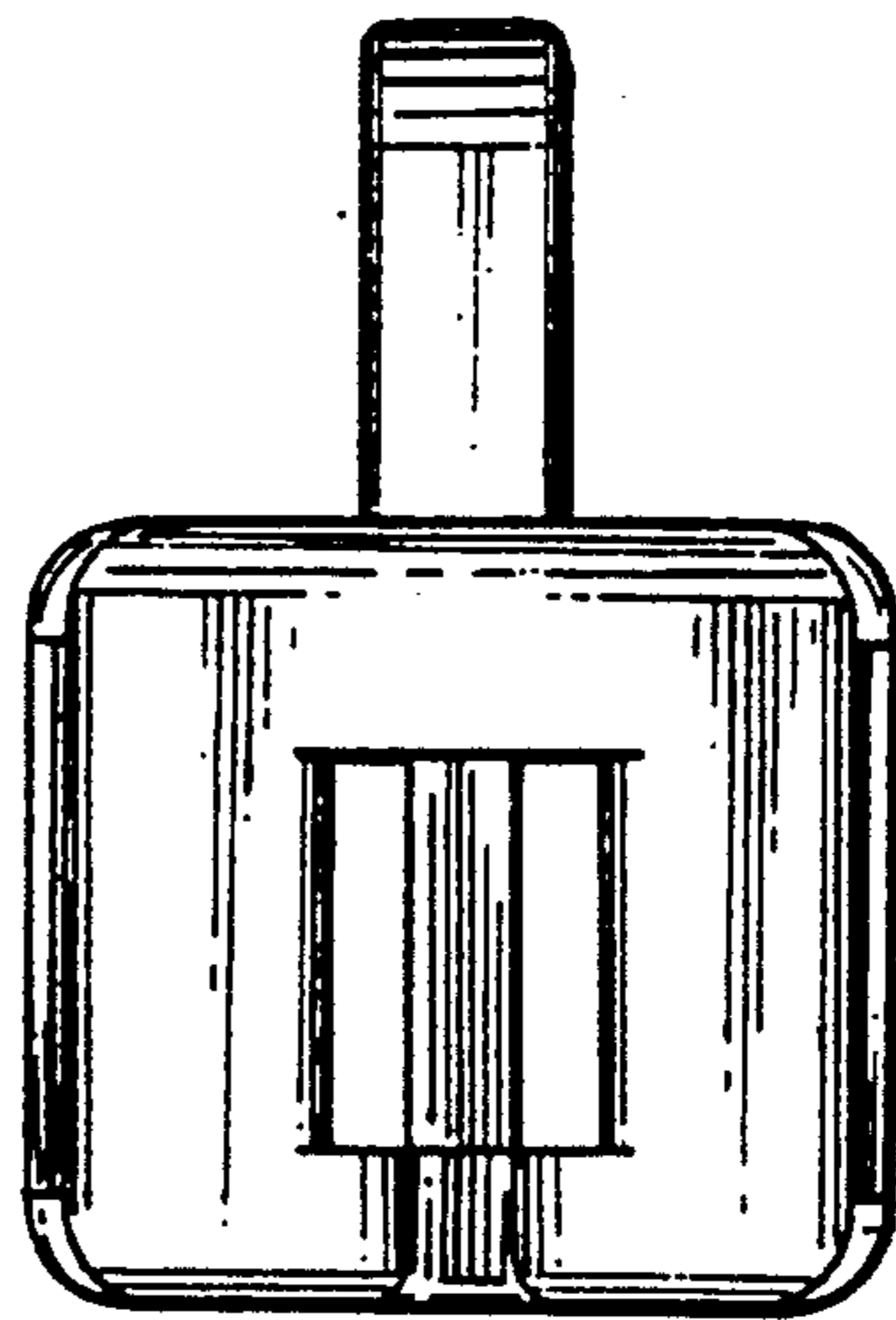


FIG. 5

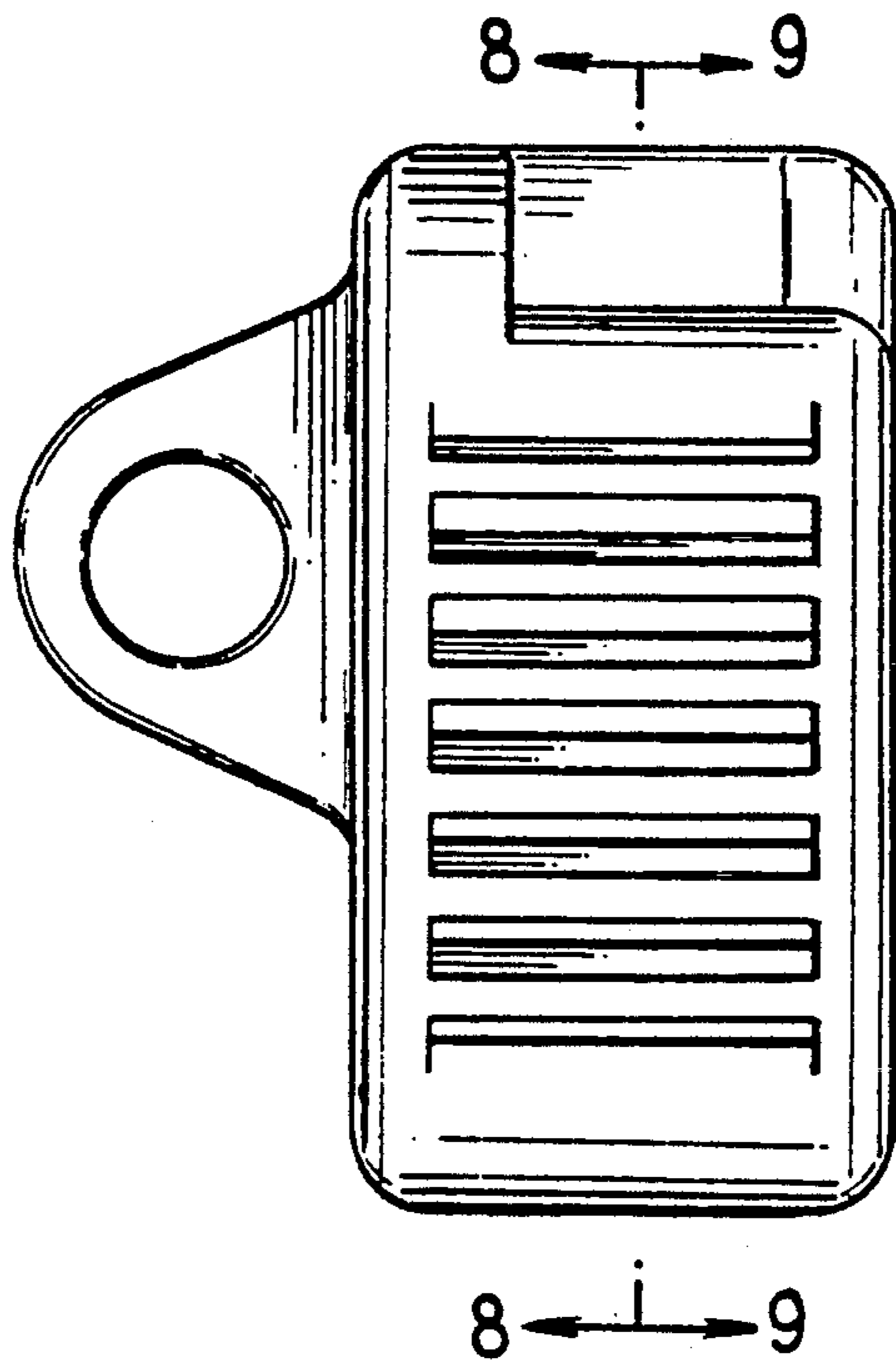


FIG. 6

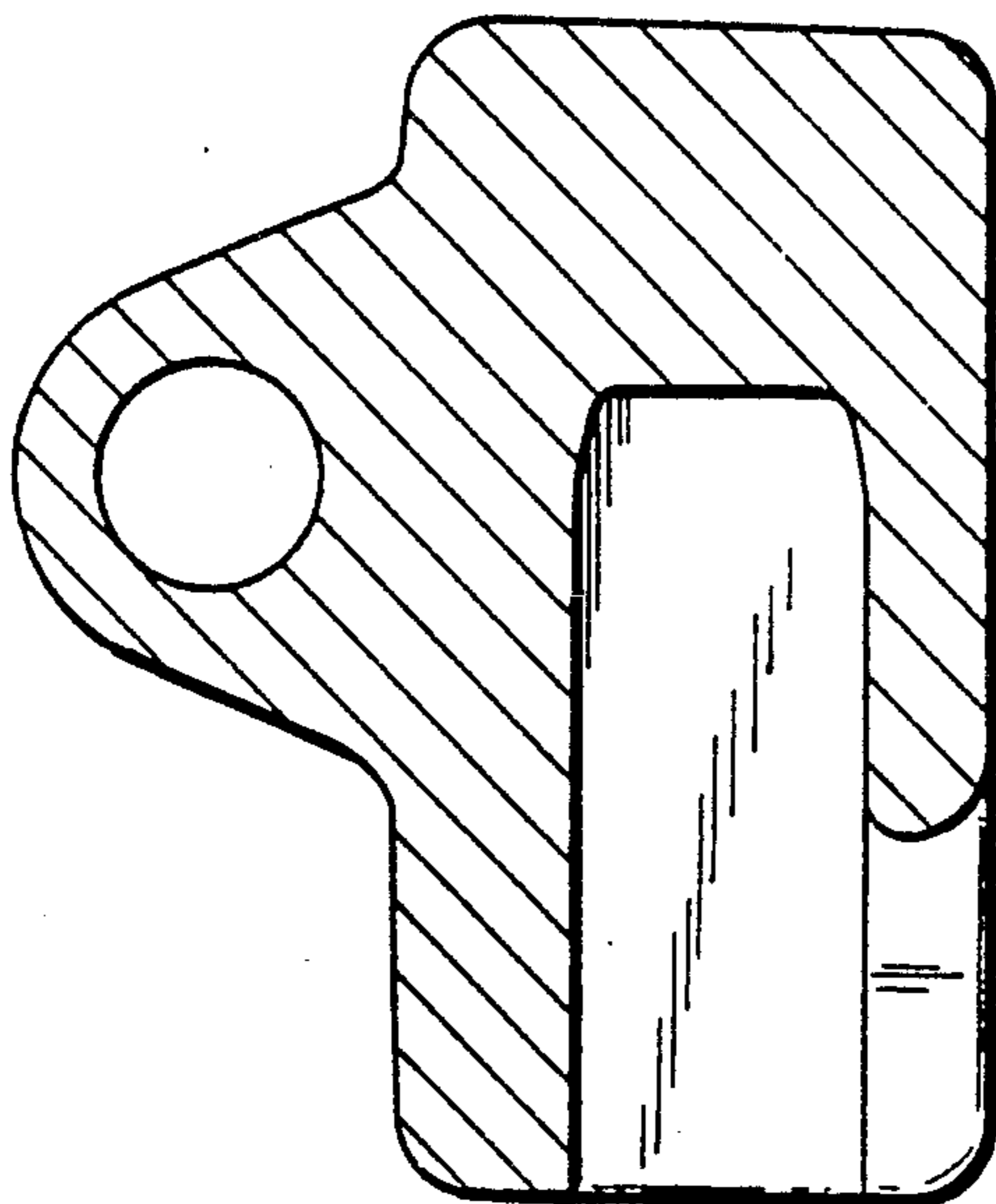


FIG. 7

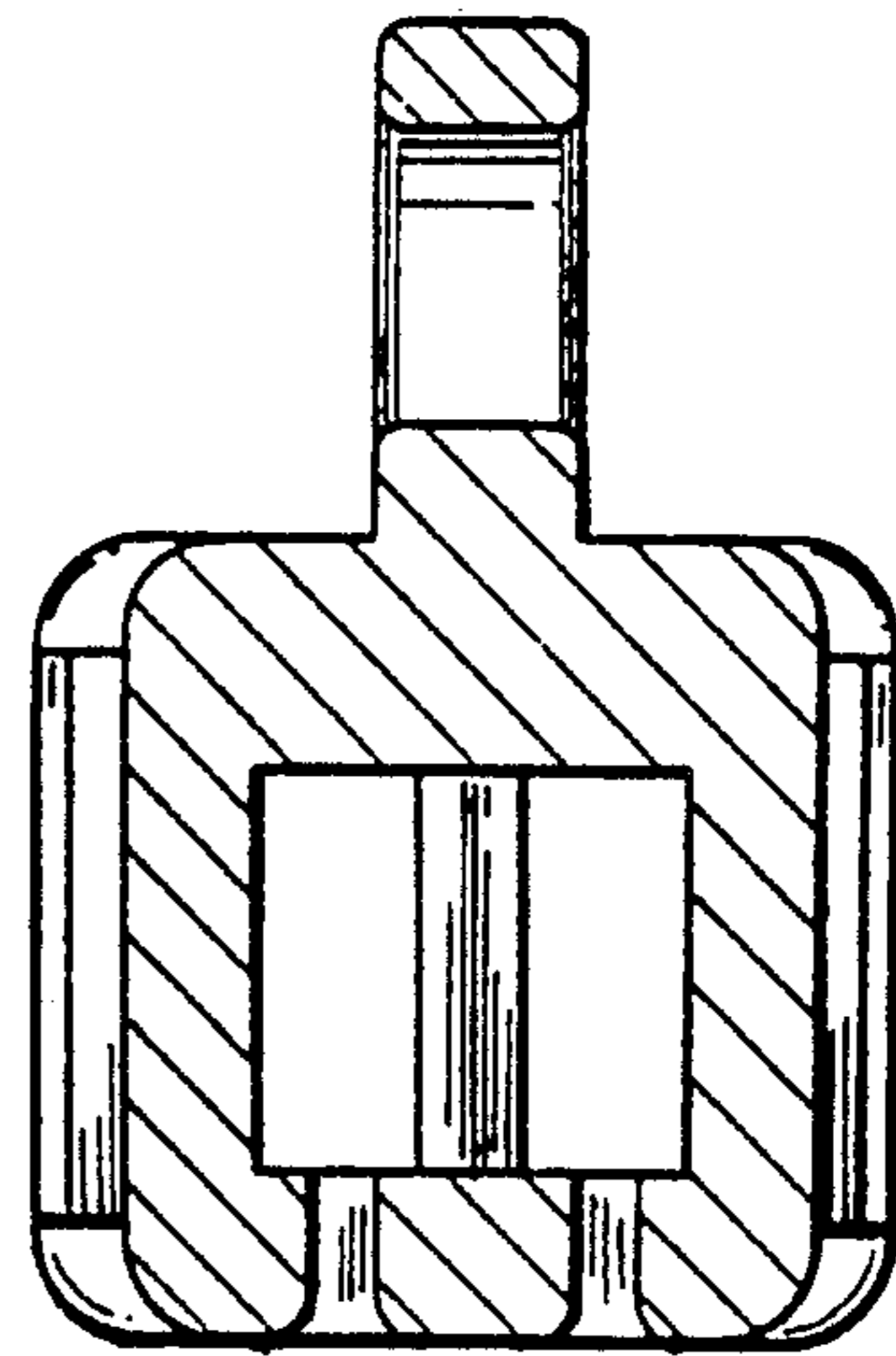


FIG. 8

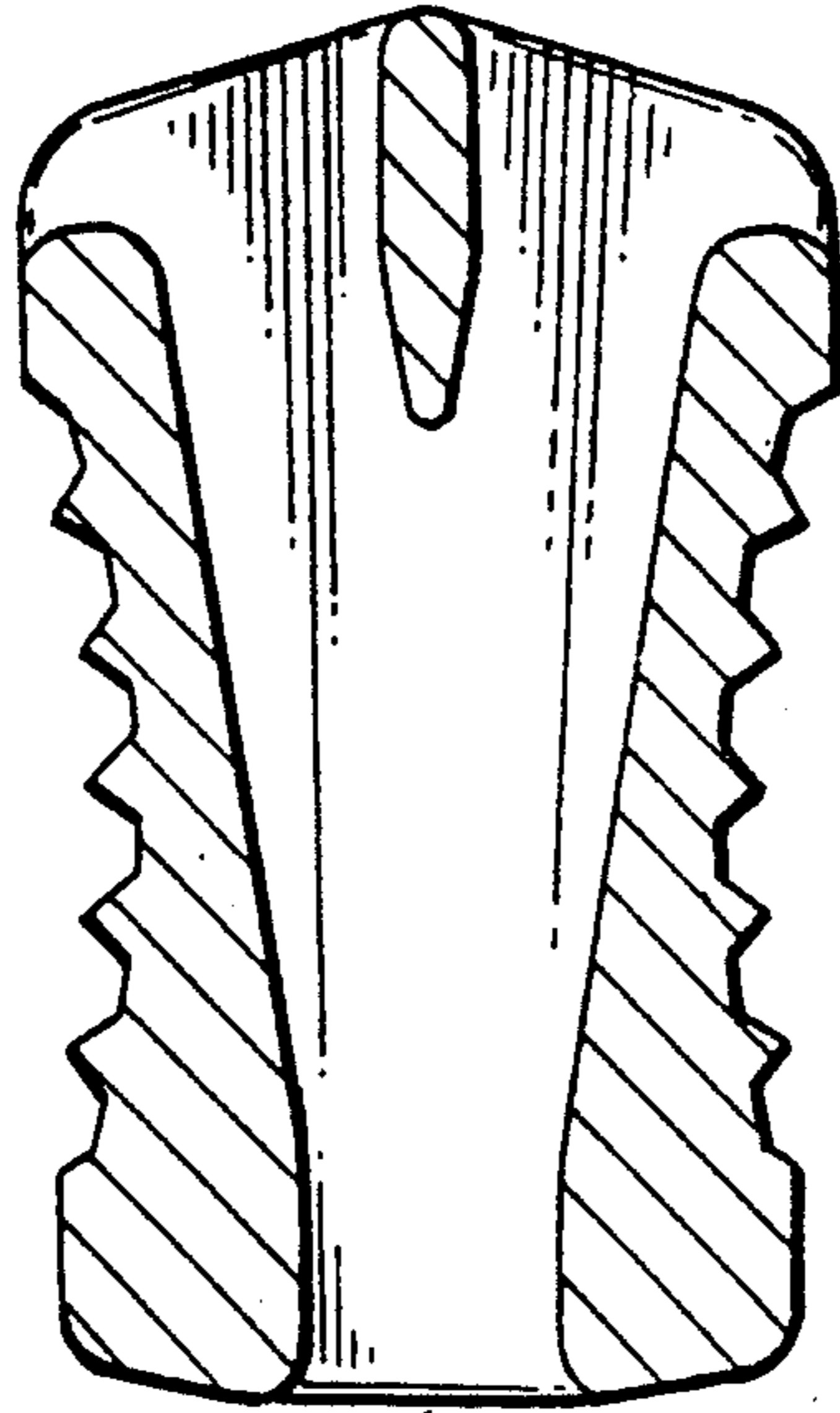


FIG. 9

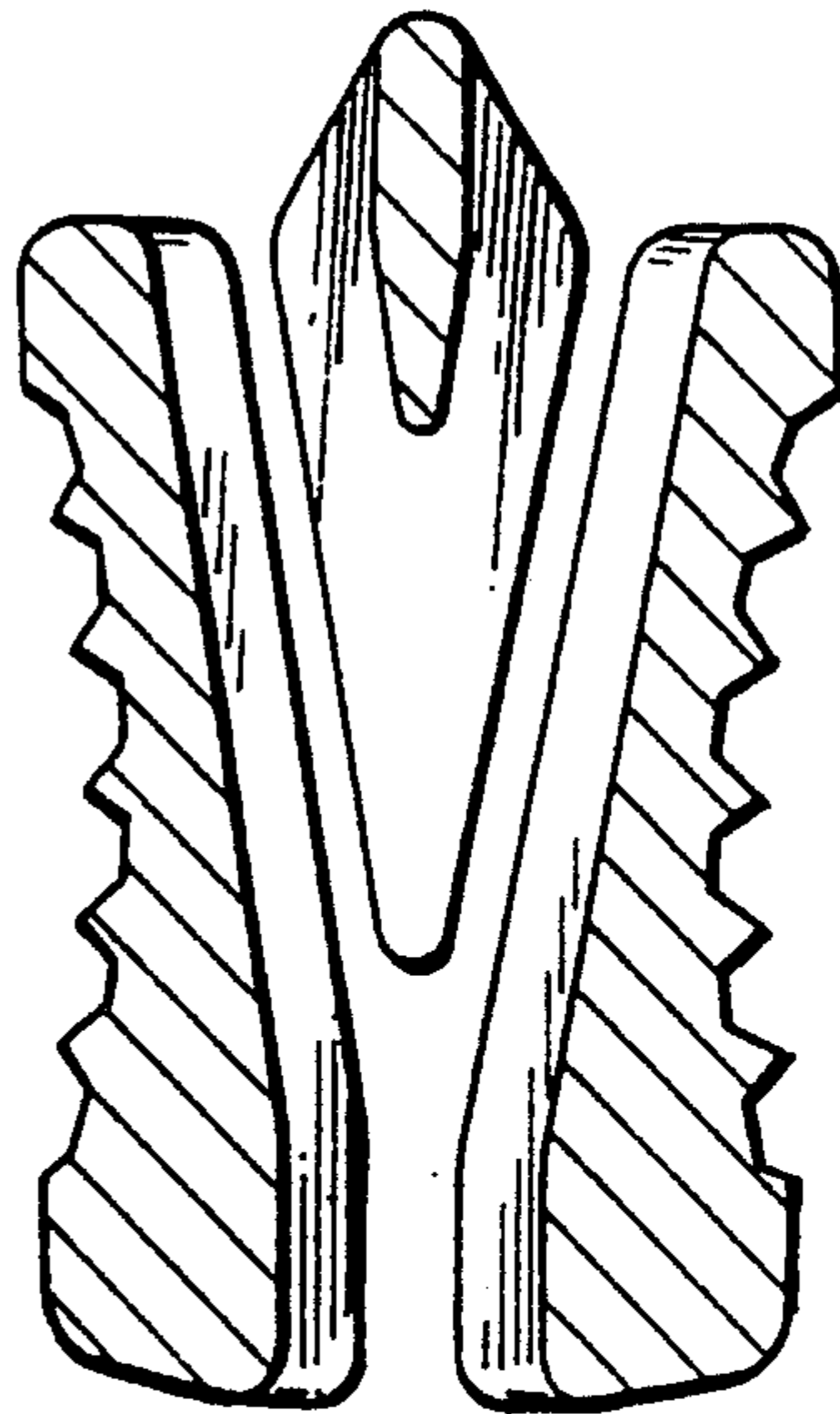


FIG. 10

