



US00D325541S

# United States Patent [19]

[11] Patent Number: **Des. 325,541**

Storsberg

[45] Date of Patent: **\*\* Apr. 21, 1992**

[54] **PLATFORM SCALE**

[75] Inventor: **Günter Storsberg, Solingen, Fed. Rep. of Germany**

[73] Assignee: **Robert Krups Stiftung & Co. KG, Solingen, Fed. Rep. of Germany**

[\*\*] Term: **14 Years**

[21] Appl. No.: **416,258**

[22] Filed: **Oct. 2, 1989**

[30] **Foreign Application Priority Data**

Mar. 31, 1989 [DE] Fed. Rep. of Germany ..... 8902408  
 [52] U.S. Cl. .... **D10/93**  
 [58] Field of Search ..... D10/87, 88, 89, 90,  
 D10/91, 93, 94; 177/177, 178, 238, 239, 256,  
 235, 241, 47, DIG. 3

[56] **References Cited**

**U.S. PATENT DOCUMENTS**

D. 281,403 11/1985 Zeigner et al. .... D10/93  
 D. 281,677 12/1985 Chen ..... D10/88  
 4,923,024 5/1990 Ferrer et al. .... D10/93 X

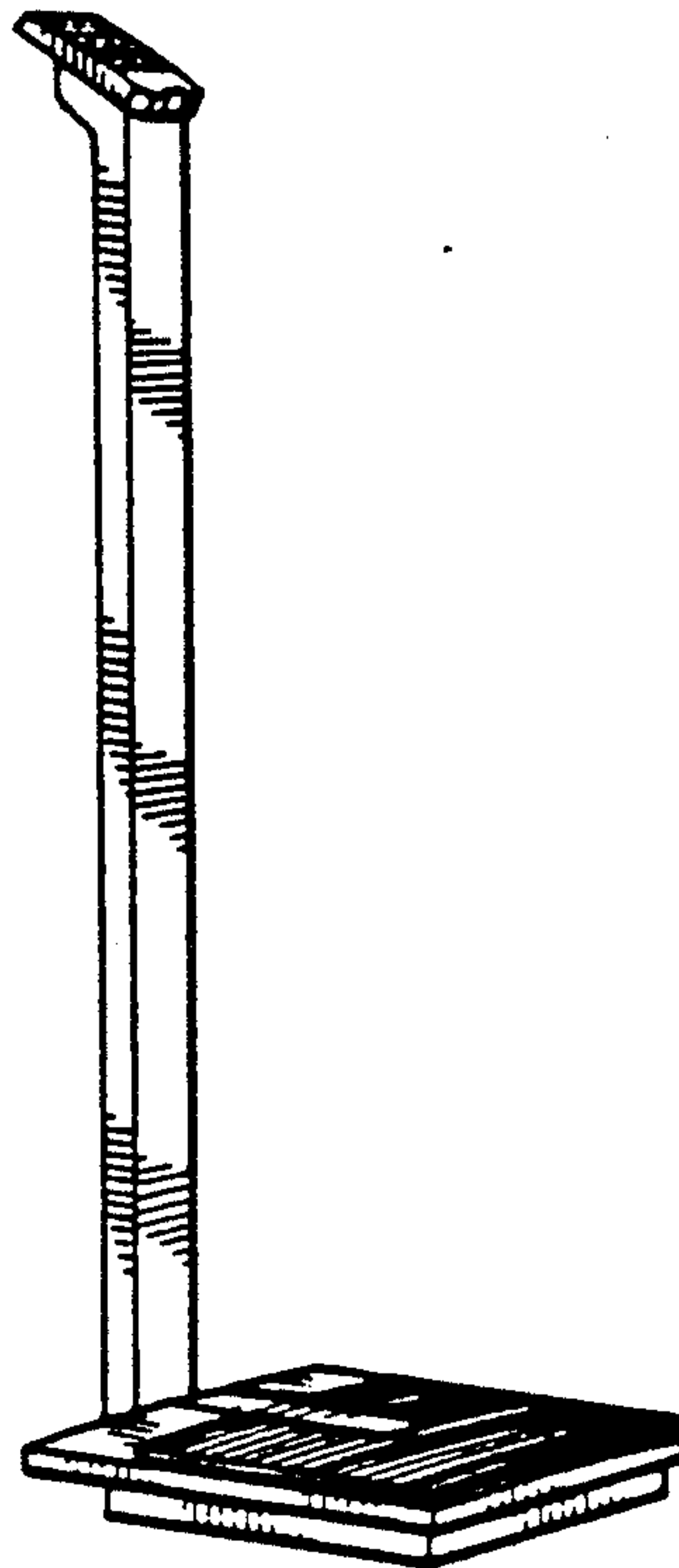
*Primary Examiner*—Bruce W. Dunkins  
*Assistant Examiner*—Antoine D. Davis  
*Attorney, Agent, or Firm*—Peter K. Kontler

[57] **CLAIM**

The ornamental design for a platform scale, as shown and described.

**DESCRIPTION**

FIG. 1 is a top, front and right side perspective view of a platform scale showing my new design;  
 FIG. 2 is a top, rear and right side perspective view;  
 FIG. 3 is a front elevational view;  
 FIG. 4 is a rear elevational view;  
 FIG. 5 is a right side elevational view;  
 FIG. 6 is a top, rear and left side perspective view;  
 FIG. 7 is a top, front and left side perspective view;  
 FIG. 8 is a top plan view; and,  
 FIG. 9 is an exploded view thereof.



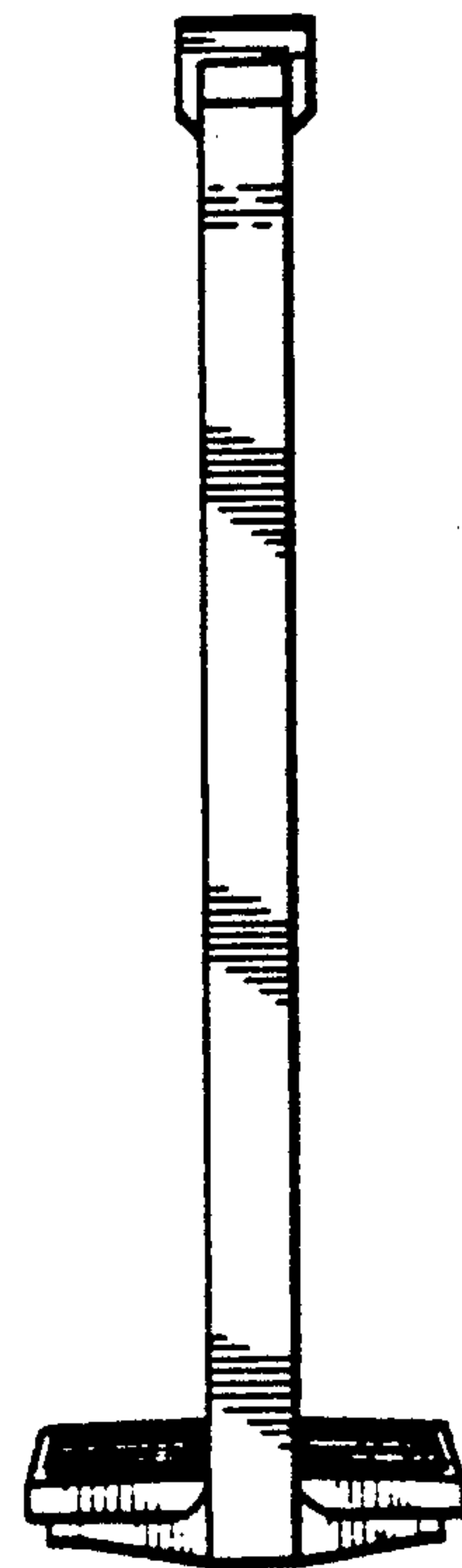
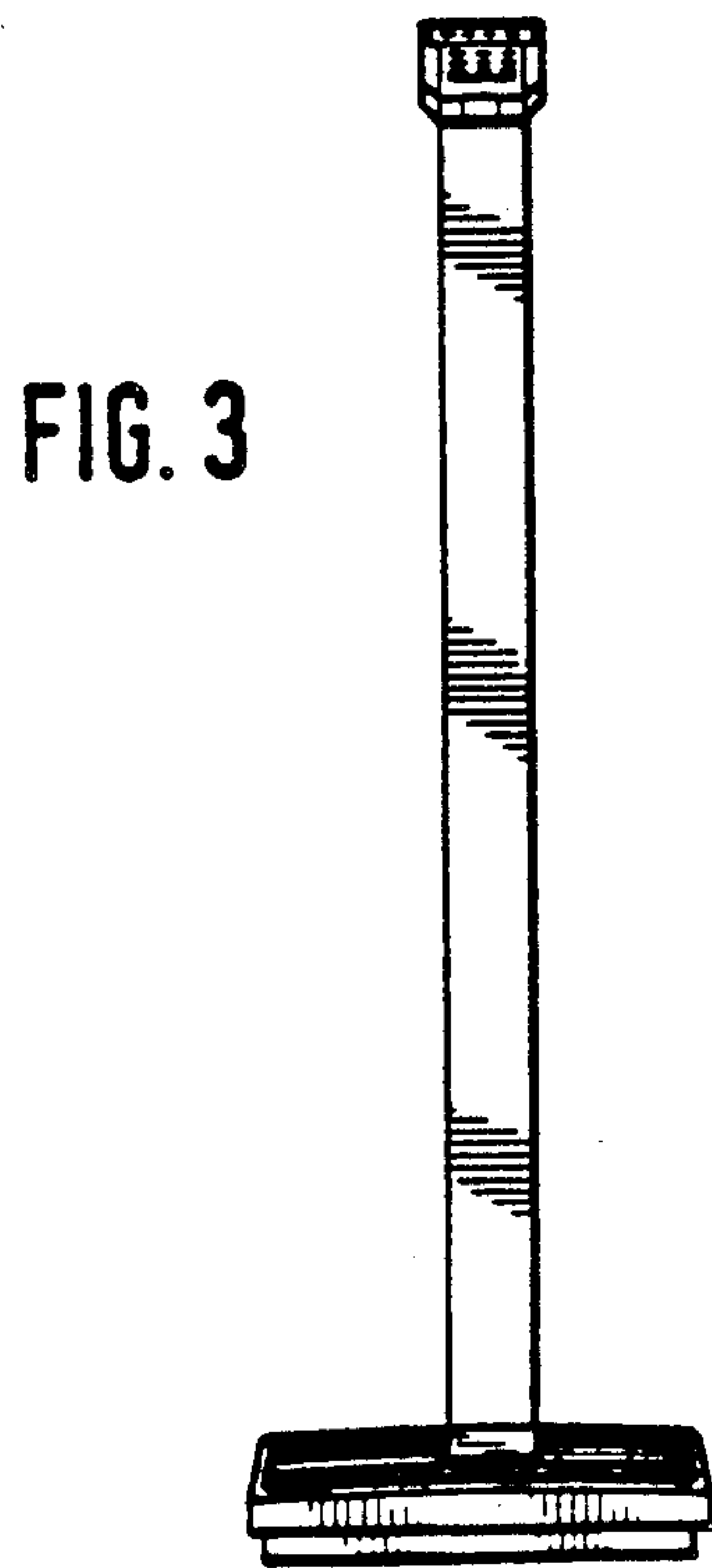
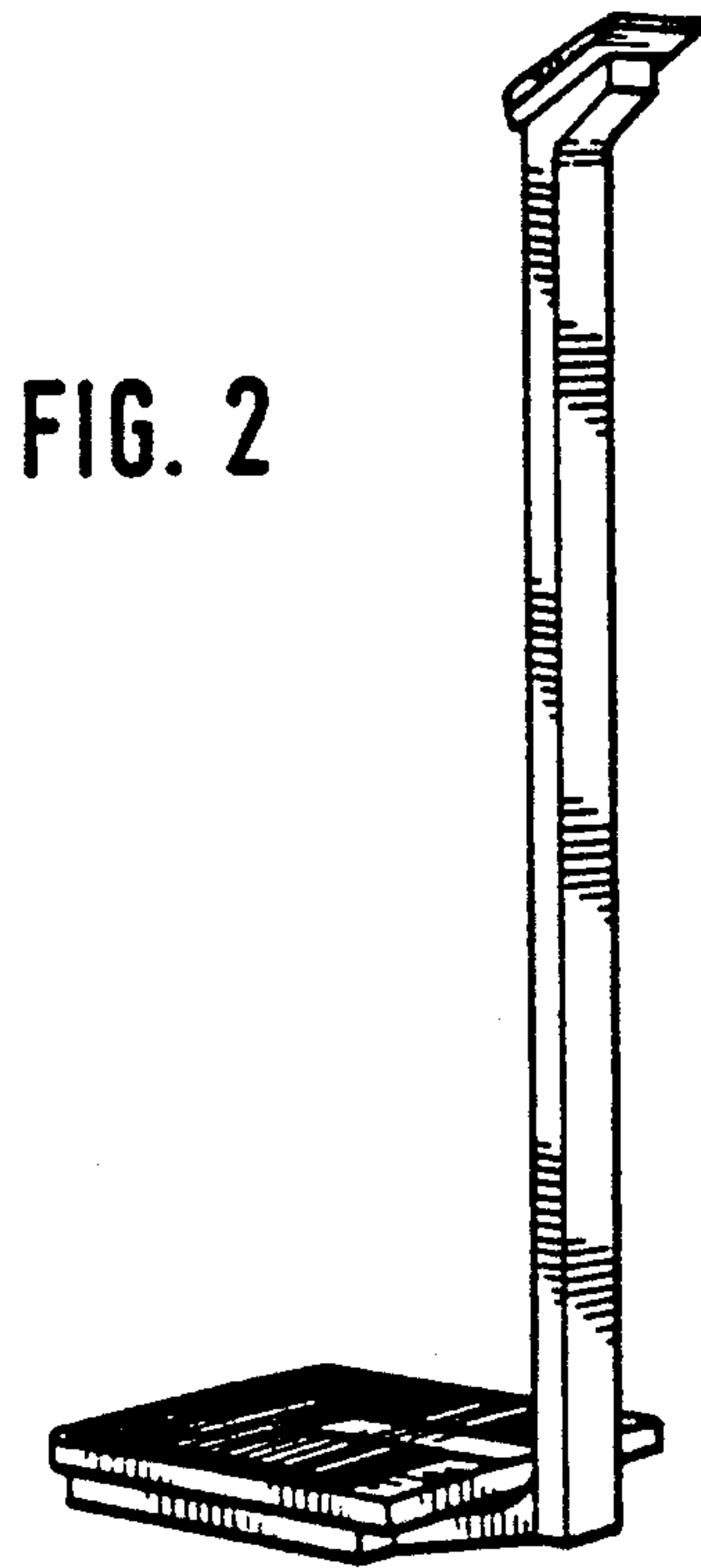
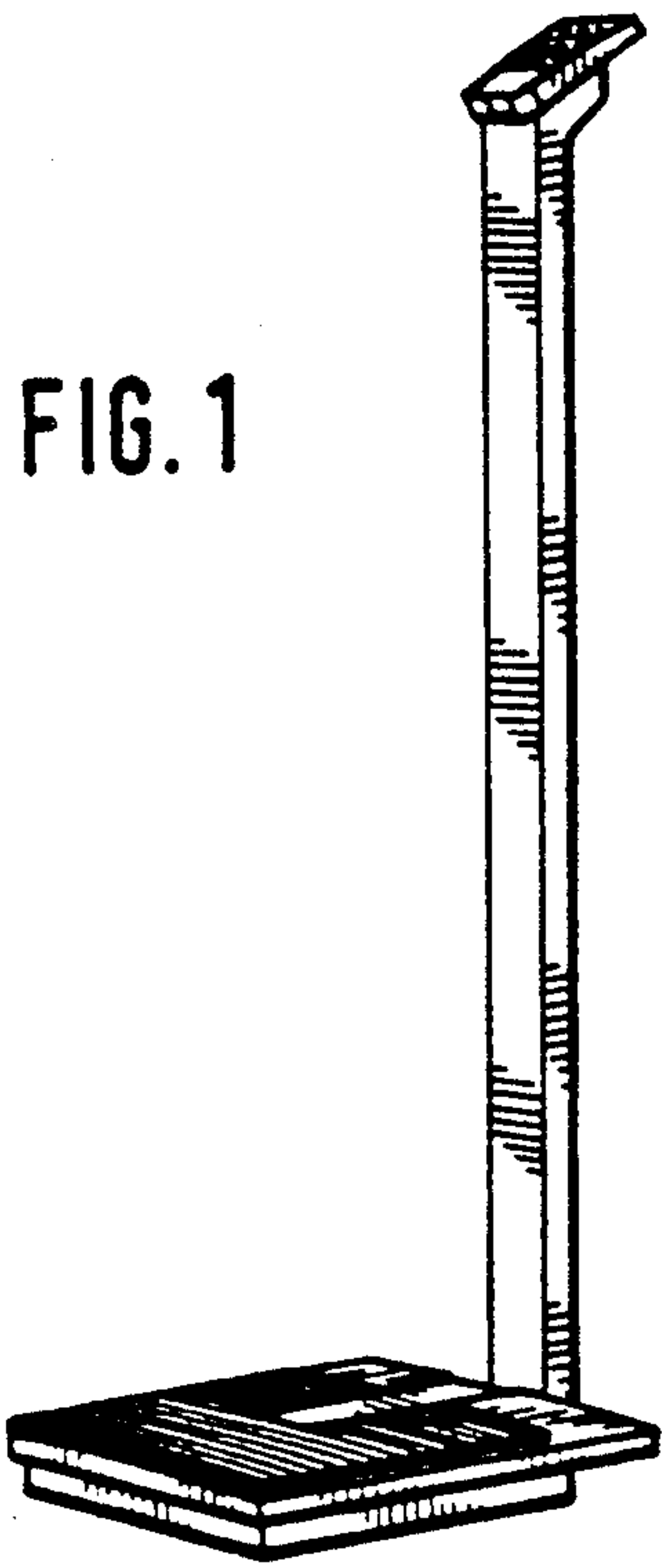


FIG. 5

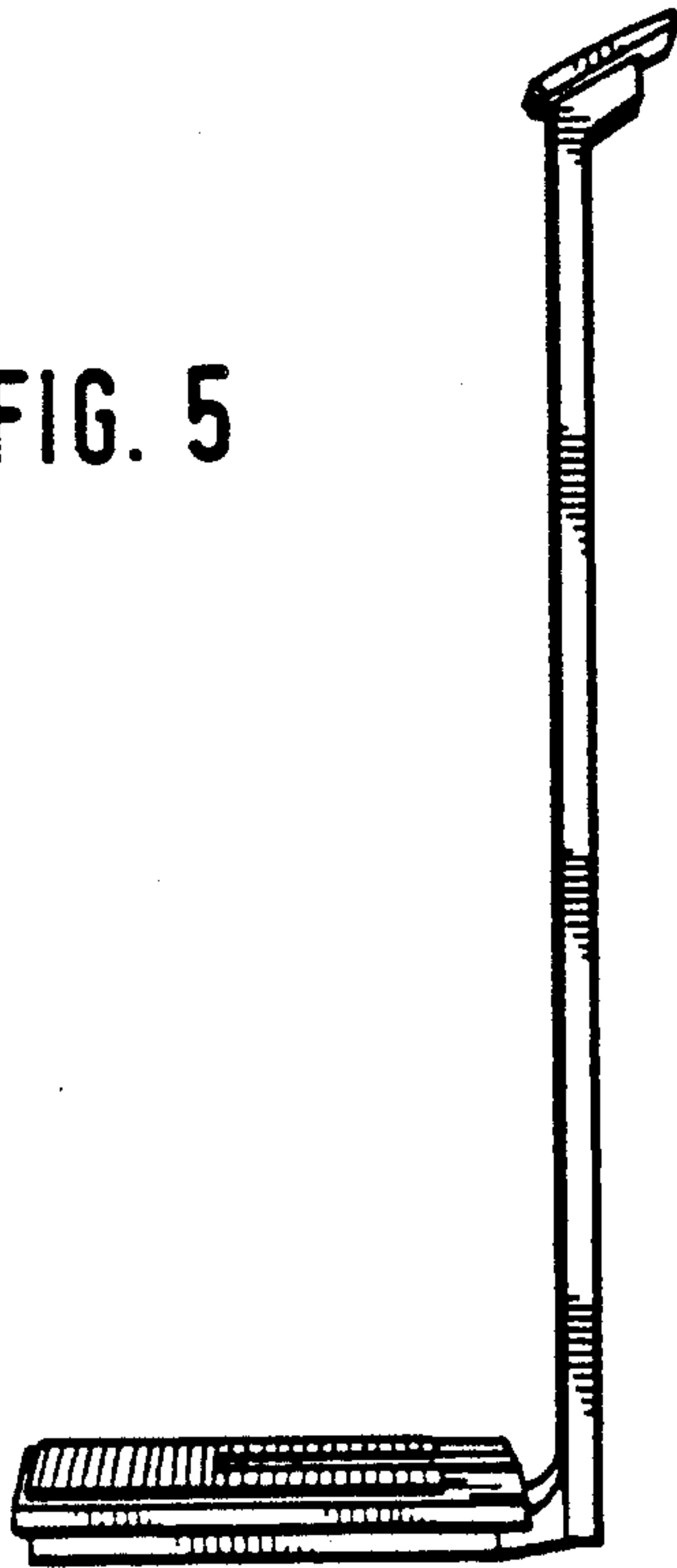


FIG. 6

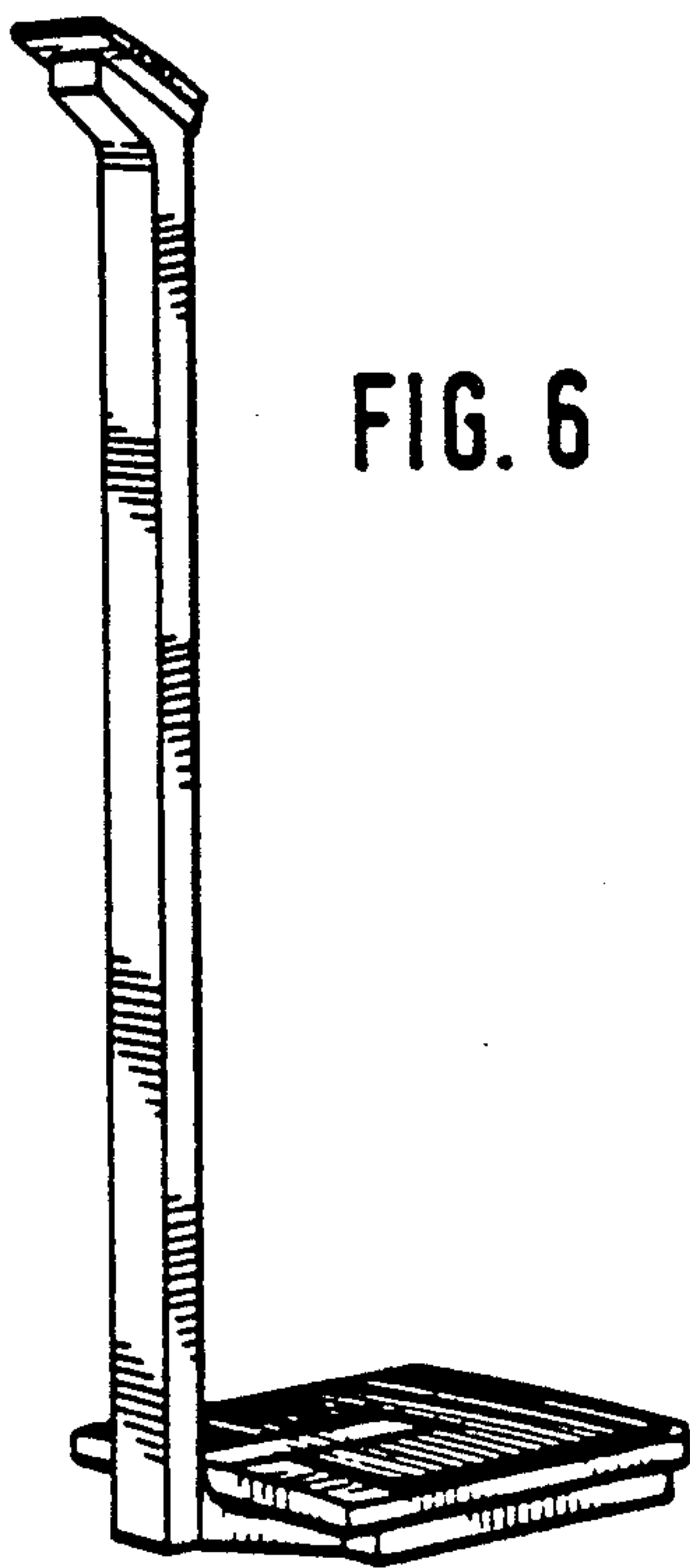
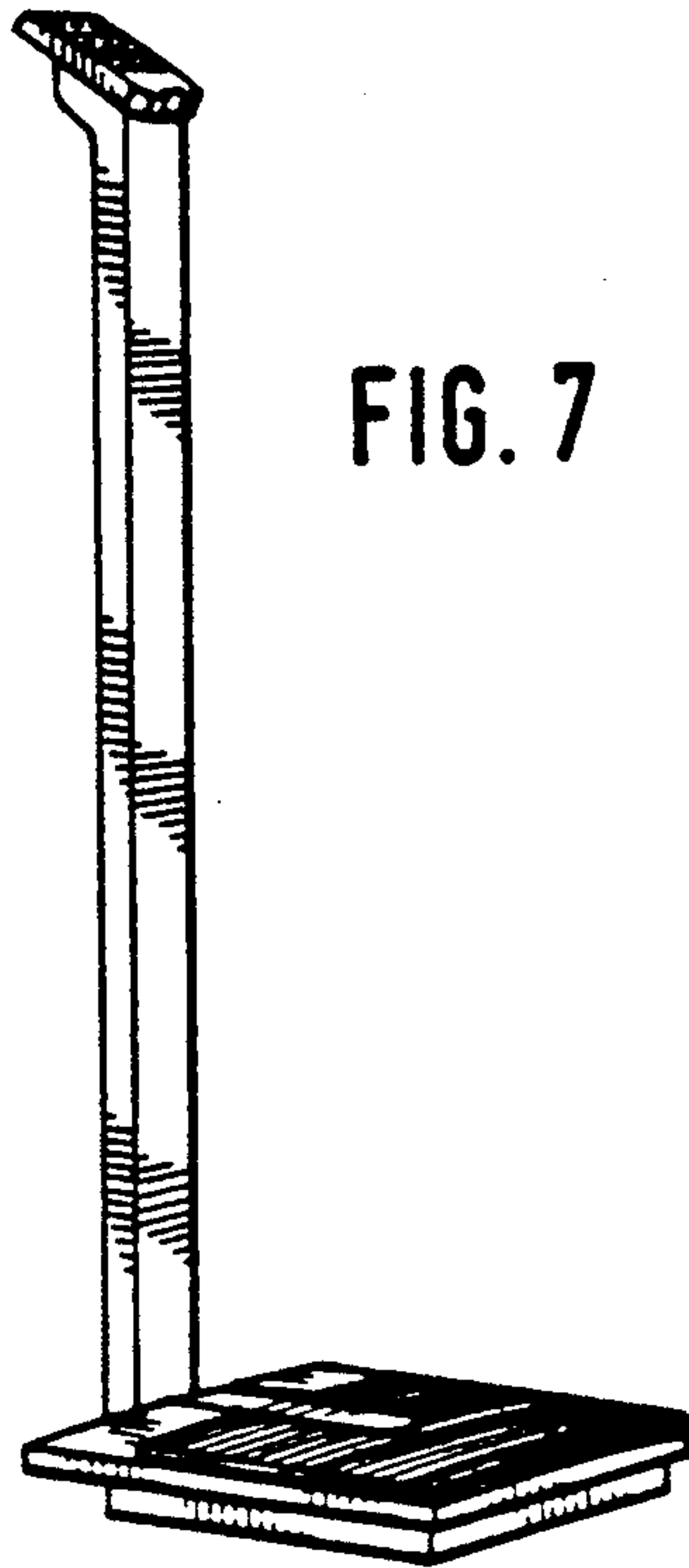


FIG. 7



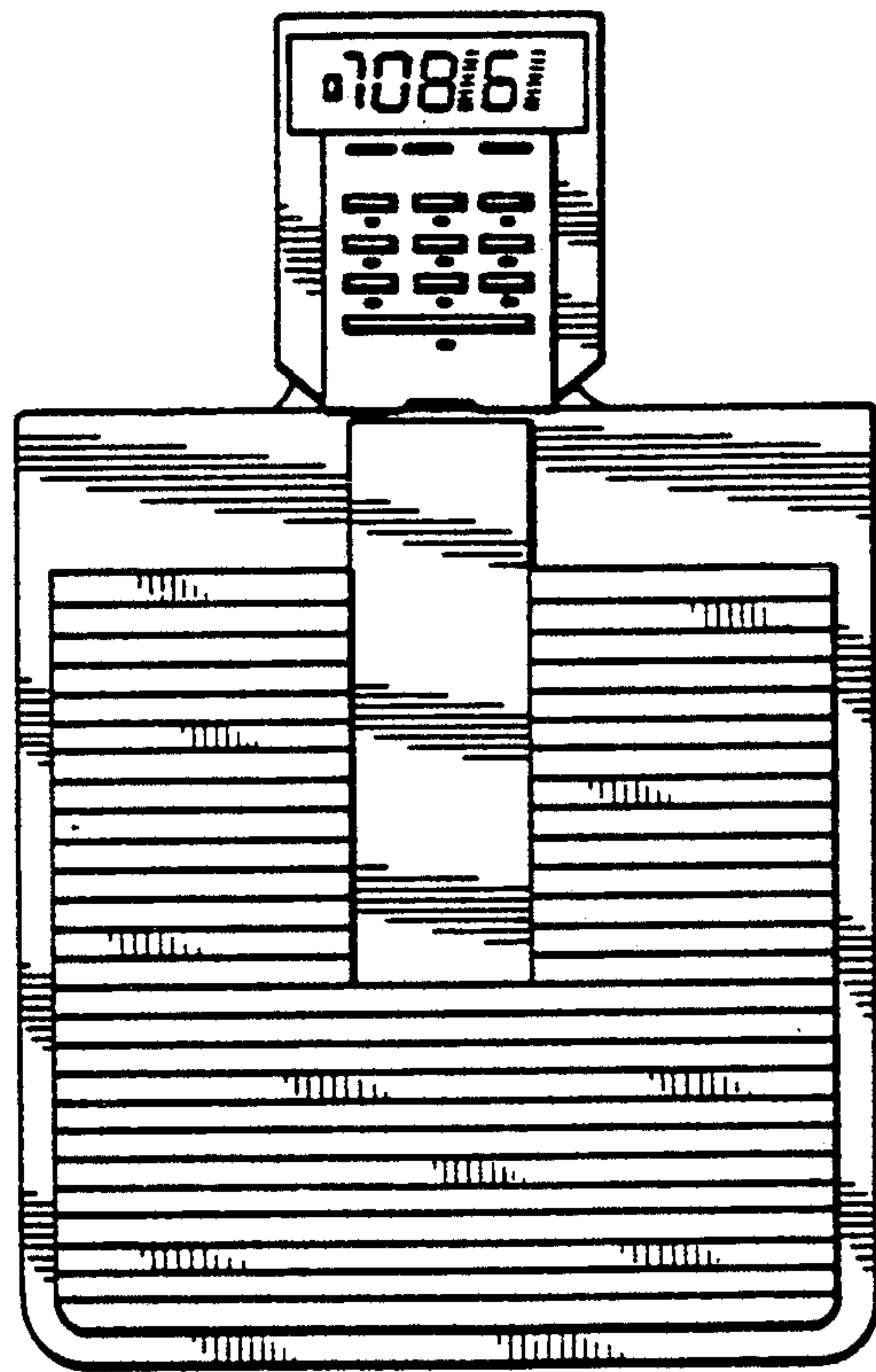


FIG. 8

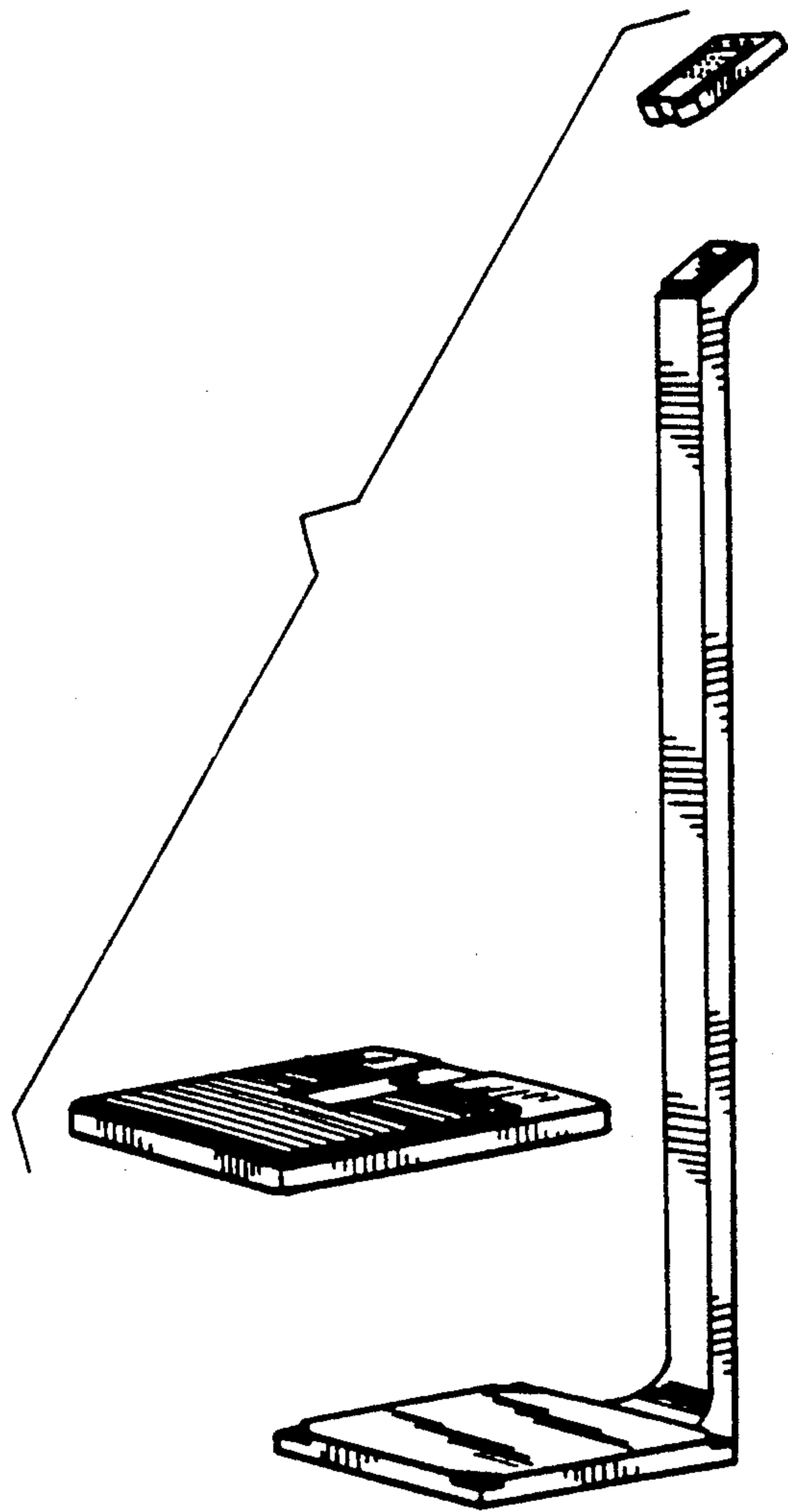


FIG. 9