



US00D325538S

United States Patent [19]

Araujo, Jr.

[11] Patent Number: **Des. 325,538**

[45] Date of Patent: **** Apr. 21, 1992**

[54] ANTHROPOMETRIC CALIPER

[75] Inventor: **Antonino Araujo, Jr., Bradenton, Fla.**

[73] Assignee: **Abbott Laboratories, Abbott Park, Ill.**

[**] Term: **14 Years**

[21] Appl. No.: **432,691**

[22] Filed: **Nov. 6, 1989**

[52] U.S. Cl. **D10/73**

[58] Field of Search **D10/73, 71; D24/133, D24/140; 33/810, 811, 812, 813-832, 511, 512; 128/774, 782; 606/102**

[56] References Cited

U.S. PATENT DOCUMENTS

D. 314,158	1/1991	Knebelman	D10/73
1,238,045	8/1917	Nelson	33/812
2,305,376	12/1942	Blum	33/810
2,724,186	11/1955	Lenart	33/823
2,850,943	9/1958	Grineff	D10/73
3,213,541	10/1965	Raffman	33/810
3,520,293	7/1970	Atherhott	128/774
4,220,163	9/1980	Afzali	128/774 X
4,607,436	8/1986	Clay	D10/73 X

OTHER PUBLICATIONS

"Nutritional Assessment of the Elderly Through Anthropometry", ©1987, Ross Laboratories. Sales literature for "Anthropometric Caliper", Medical Express, 5150 S.W. Griffith Drive, Beaverton, Or. 97005.

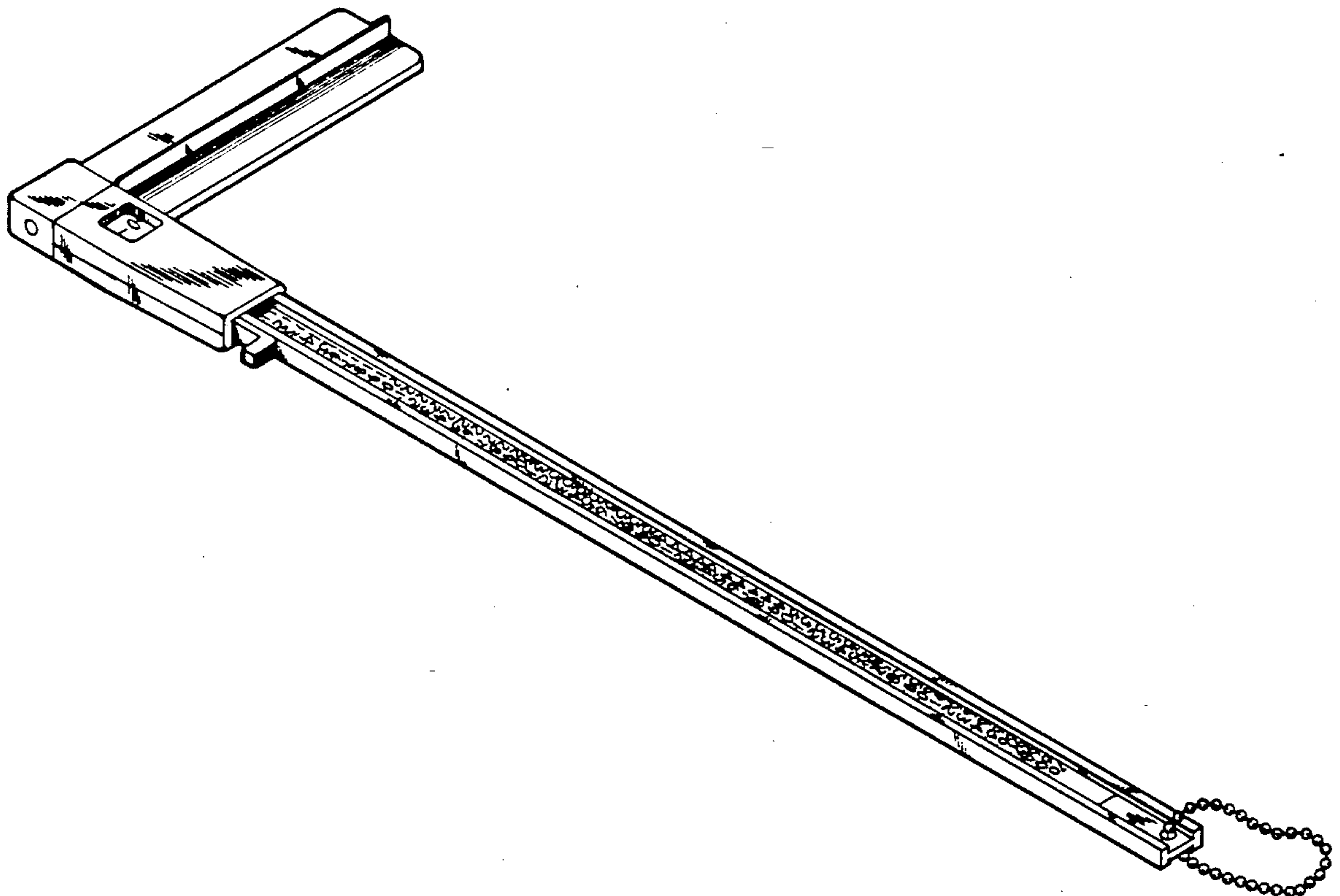
Primary Examiner—Bruce W. Dunkins
Assistant Examiner—Antoine D. Davis
Attorney, Agent, or Firm—Lonnie R. Drayer; Donald O. Nickey

[57] CLAIM

The ornamental design for a anthropometric caliper, as shown and described.

DESCRIPTION

FIG. 1 is a perspective view of a anthropometric caliper showing my new design;
FIG. 2 is an enlarged fragmentary view thereof, shown with the caliper arm in an alternate position;
FIG. 3 is a rear elevational view;
FIG. 4 is a top plan view;
FIG. 5 is a bottom plan view;
FIG. 6 is a left side elevational view; and,
FIG. 7 is a right side elevational view thereof.



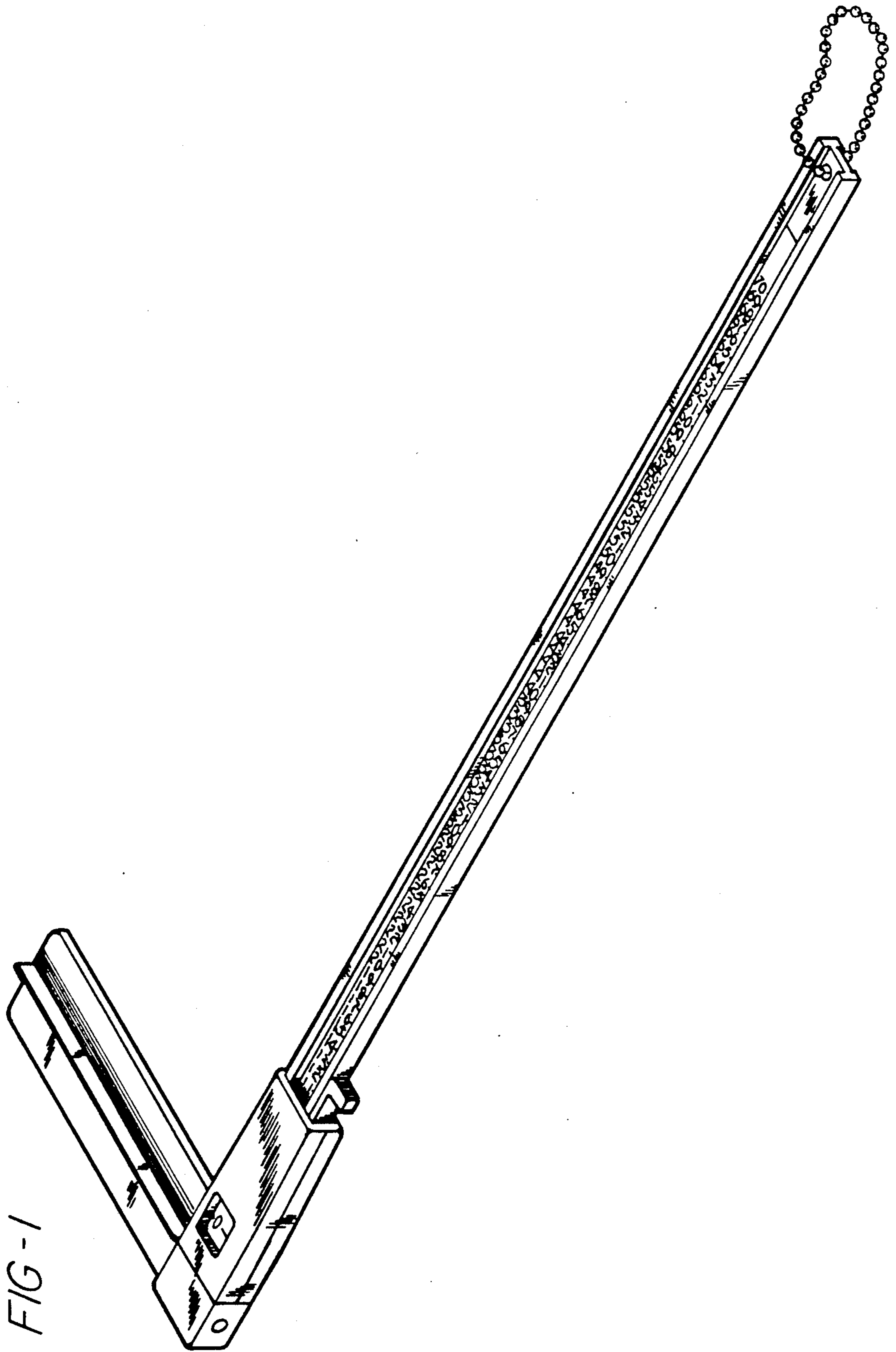


FIG-1

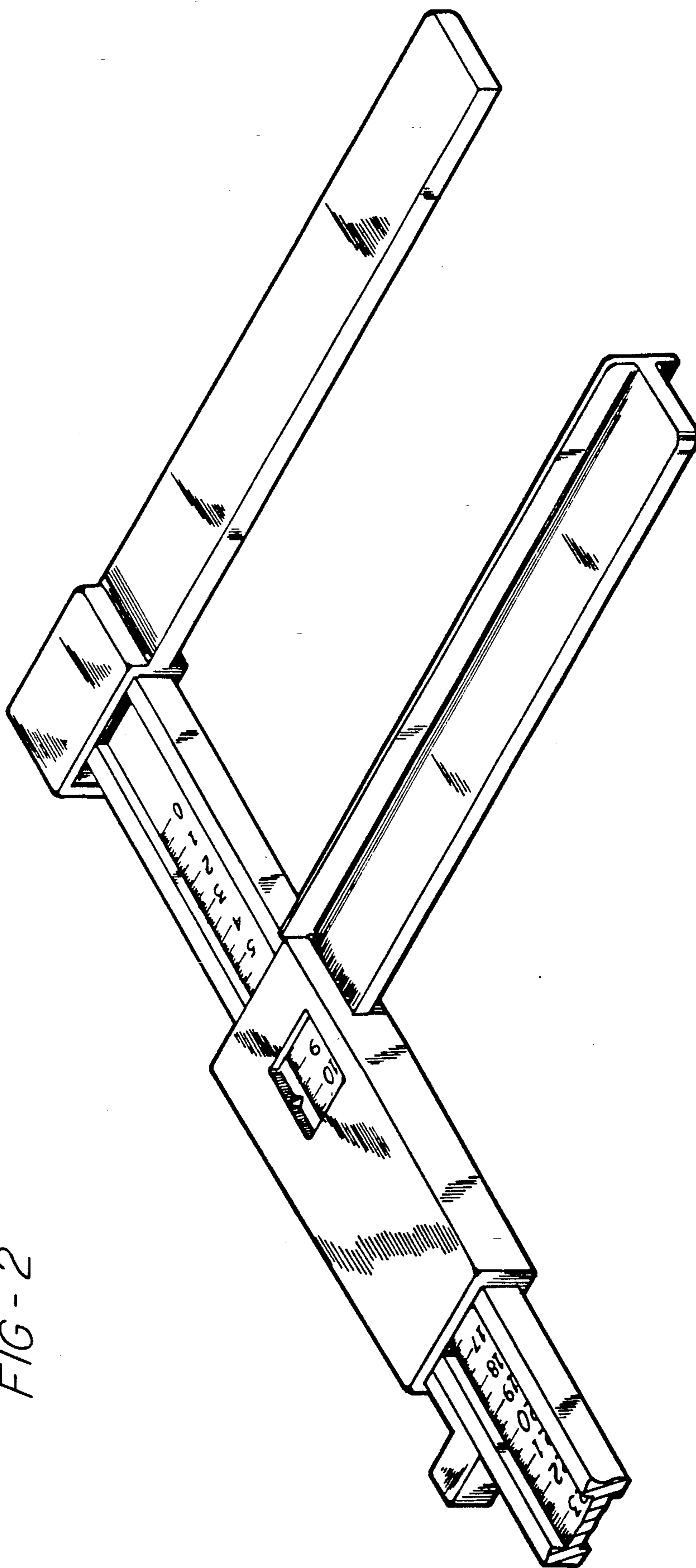
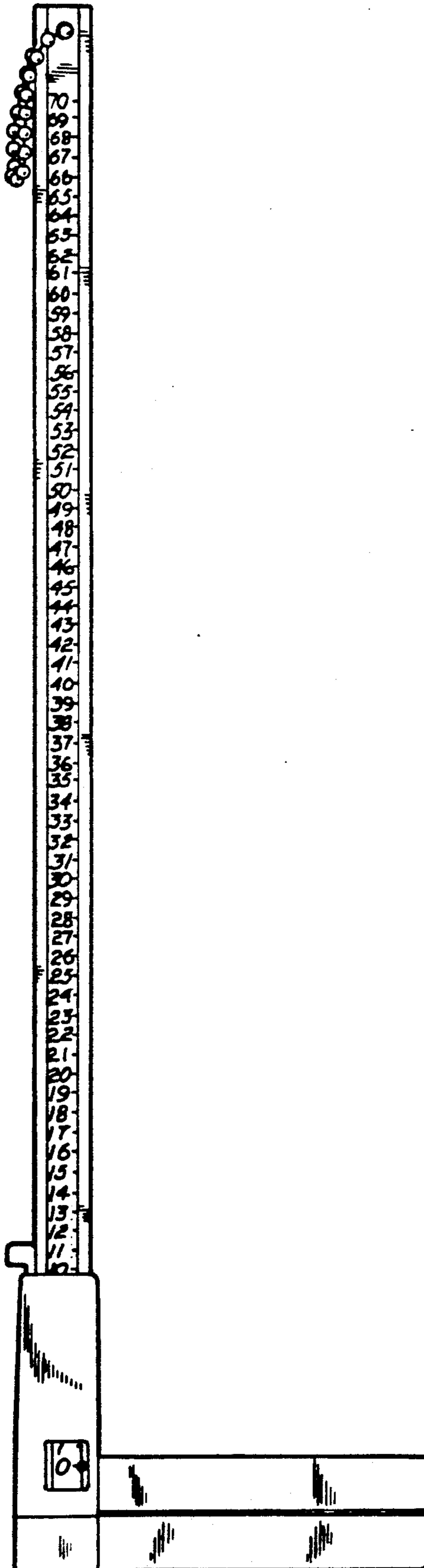


FIG - 2

FIG-3



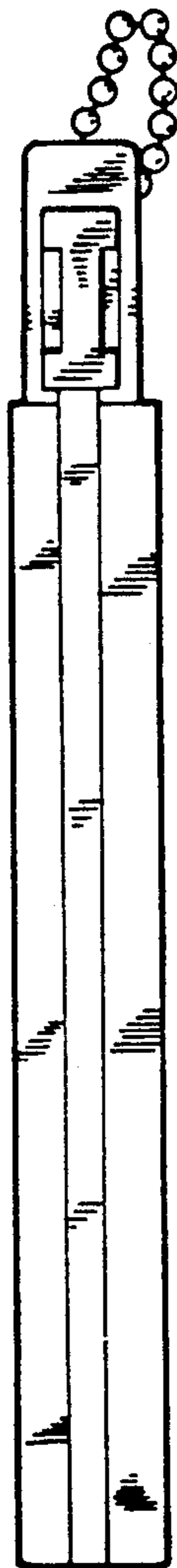


FIG - 4

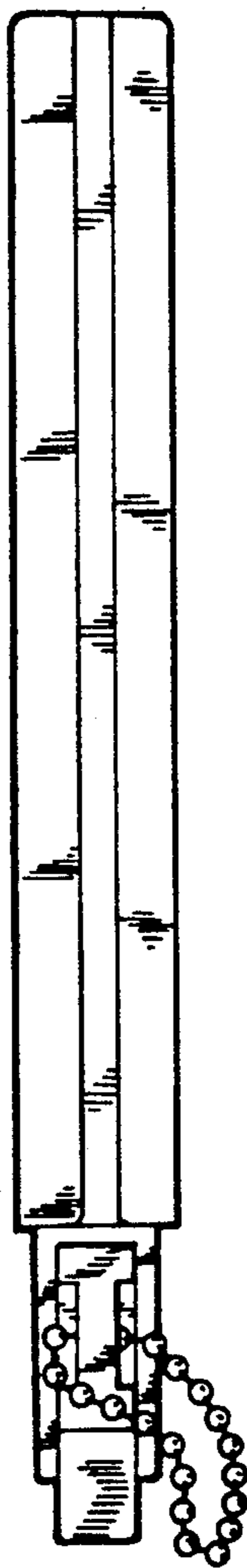


FIG - 5

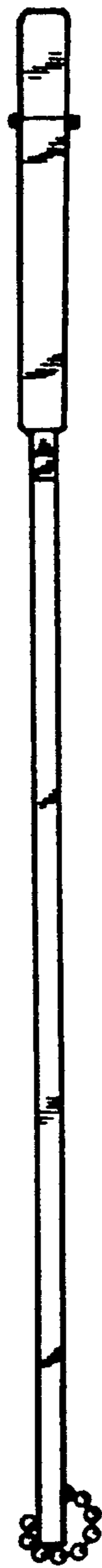


FIG - 6

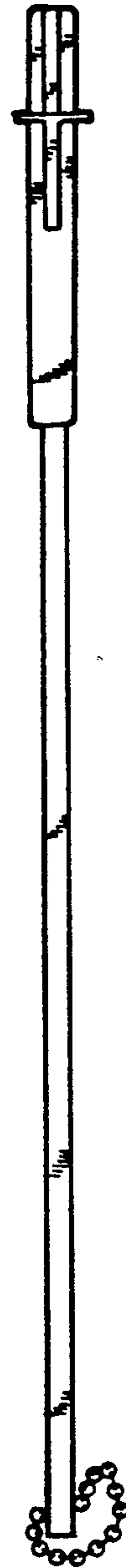


FIG - 7