



US00D325537S

United States Patent [19]

[11] Patent Number: Des. 325,537

Hagg et al.

[45] Date of Patent: ** Apr. 21, 1992

[54] SKI GOGGLE LENS TESTER

[75] Inventors: Arthur Hagg, Traun, Austria;

[73] Assignee: Optyl Eyewear Fashion International Corporation, Norwood, N.J.

[**] Term: 14 Years

[21] Appl. No.: 395,942

[22] Filed: Aug. 18, 1989

[30] Foreign Application Priority Data

Feb. 22, 1989 [DE] Fed. Rep. of Germany 8901485

[52] U.S. Cl. D10/46

[58] Field of Search D10/46; D16/221, 225; D14/113; 353/119; 40/362, 363; 356/3, 6, 20, 22, 43, 45, 46, 47; 434/392, 395, 399, 400

[56] References Cited

U.S. PATENT DOCUMENTS

- D. 134,484 12/1942 Gradisar et al. D10/46
- D. 151,947 11/1948 Van Dyck D10/64
- D. 180,887 8/1957 Weinstein D16/225
- D. 181,014 9/1957 Mitchell D16/225
- D. 193,490 8/1962 Welch D10/46 X
- D. 229,511 12/1973 Packer D16/225

- D. 302,008 7/1989 Grange et al. D14/113
- D. 303,254 9/1989 Grange et al. D14/113
- D. 303,380 9/1989 Grange et al. D14/113
- 3,748,765 7/1973 Bass et al. D16/225 X

Primary Examiner—Bruce W. Dunkins
Assistant Examiner—Antoine D. Davis
Attorney, Agent, or Firm—Philip H. Gottfried

[57] CLAIM

The ornamental design for ski goggle lens tester, as shown and described.

DESCRIPTION

FIG. 1 is a front elevational view of a ski goggle lens tester showing my new design; FIG. 2 is a top plan view; FIG. 3 is a left side elevational view; FIG. 4 is a rear elevational view; FIG. 5 is a bottom plan view; FIG. 6 is a left side elevational view, shown with the glare-reducing lens element in raised position; FIG. 7 is a front elevational view, shown with the glare-reducing lens element in raised position; and, FIG. 8 is a perspective view thereof. FIGS. 4-7 have been drawn to a reduced scale with respect to FIG. 1 thereof.

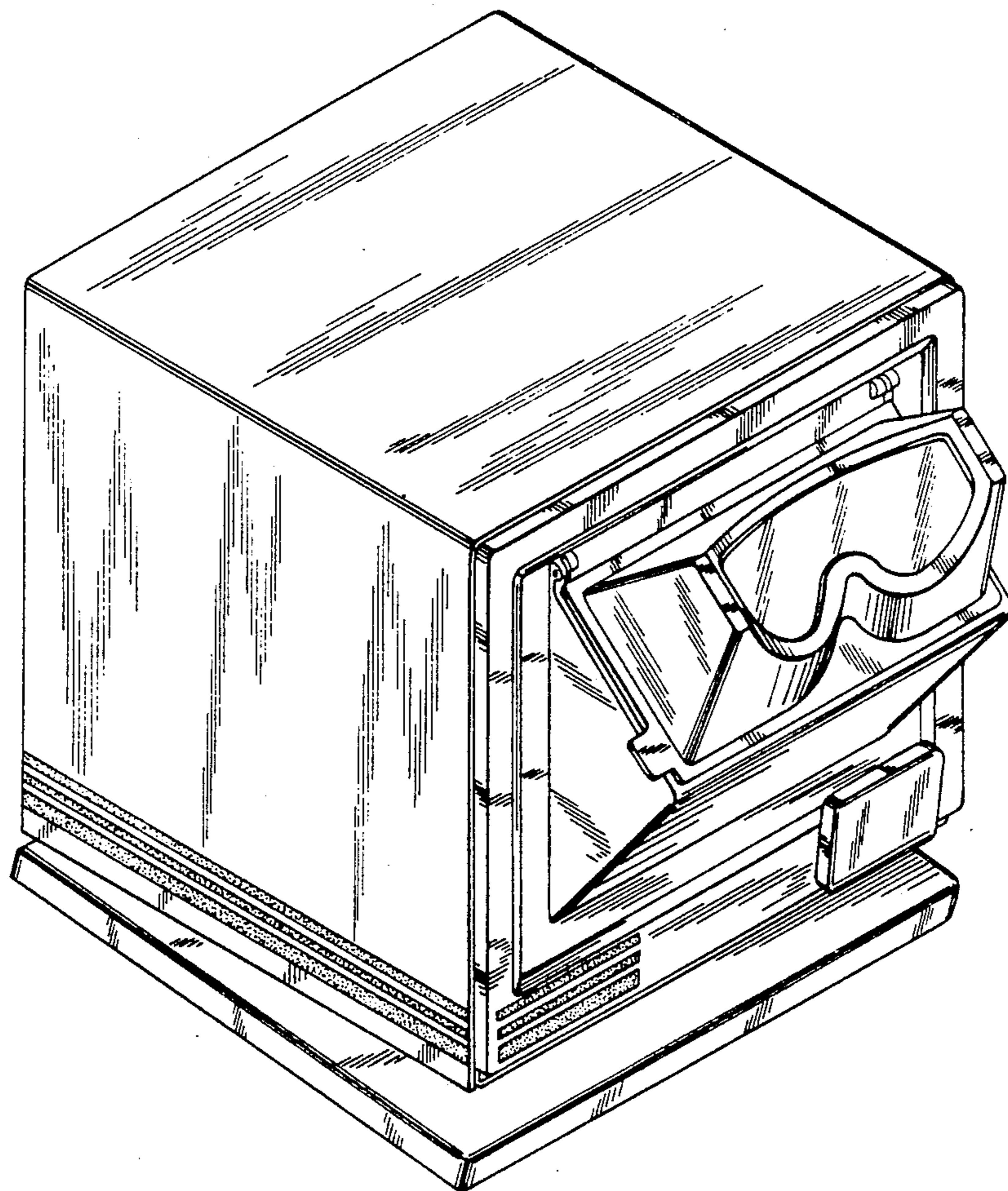
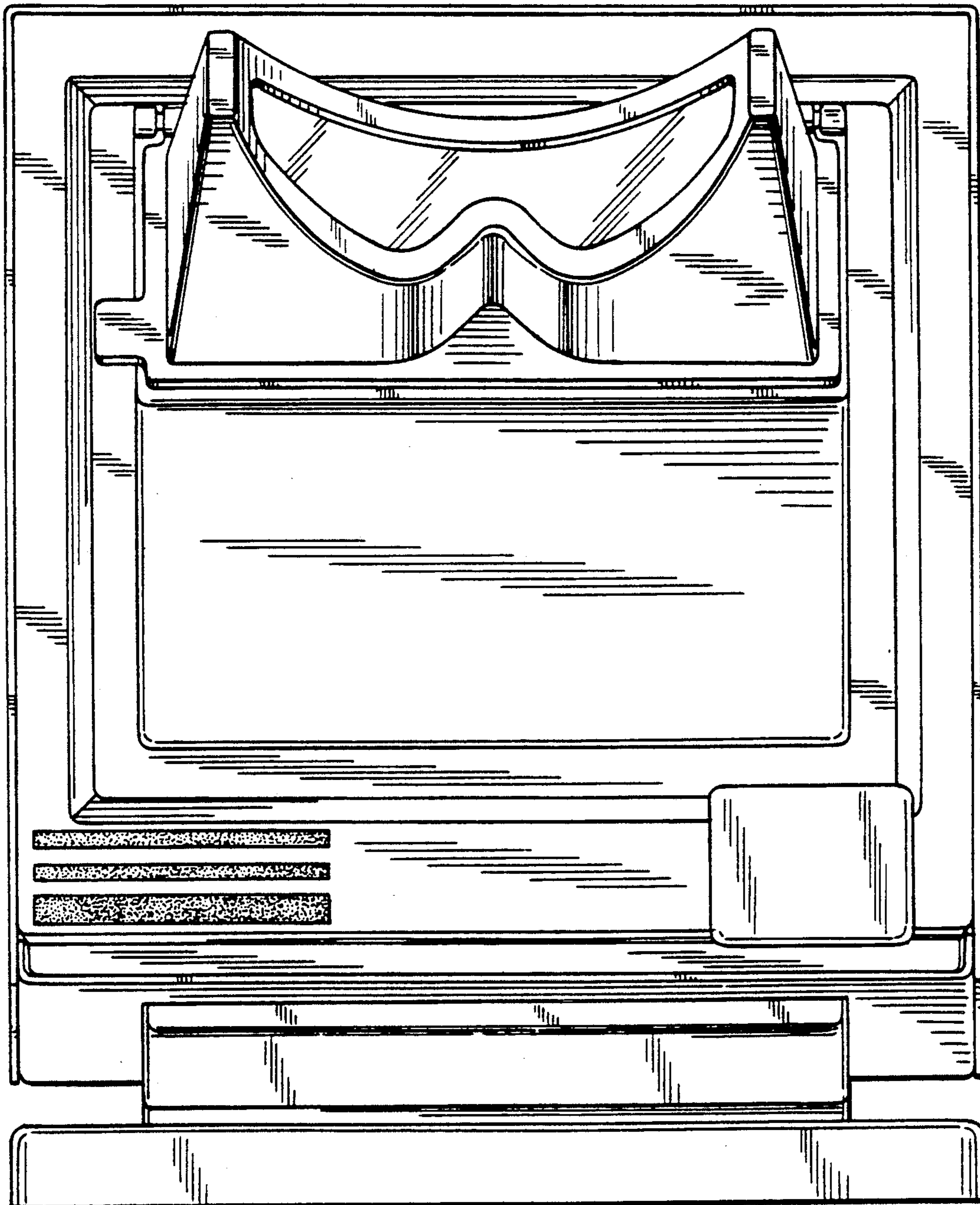


FIG. 1



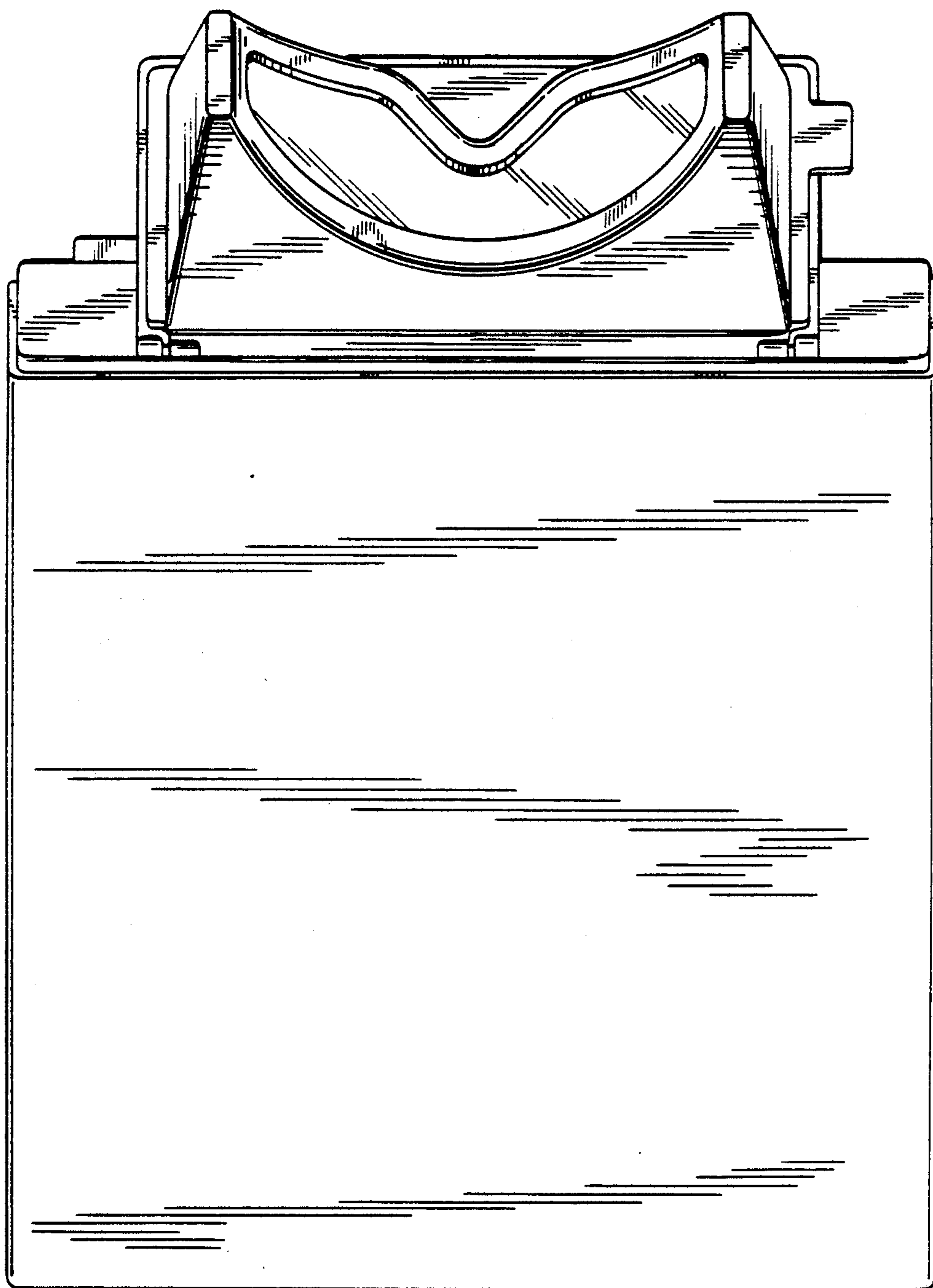


FIG. 2

FIG. 3

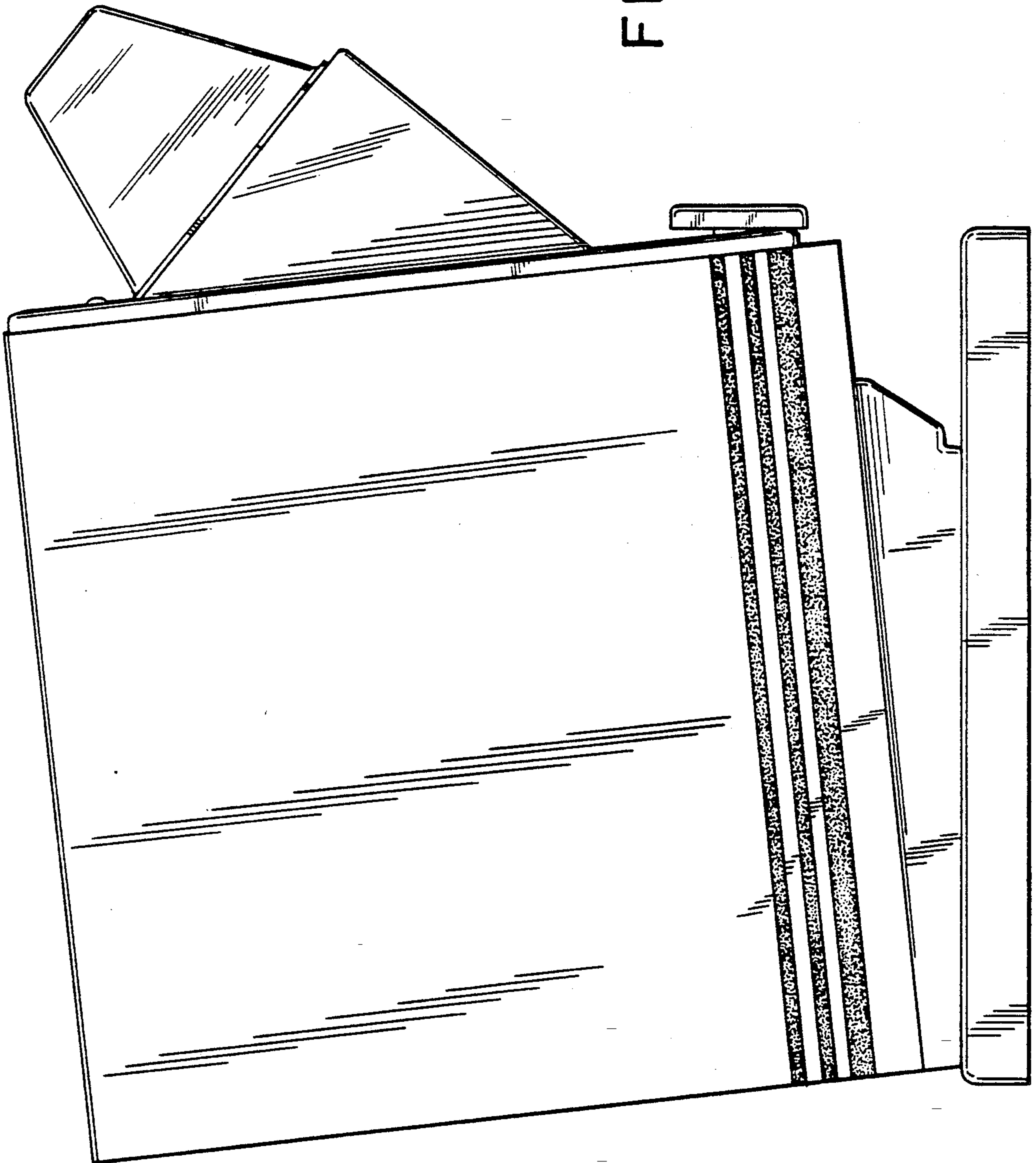


FIG. 4

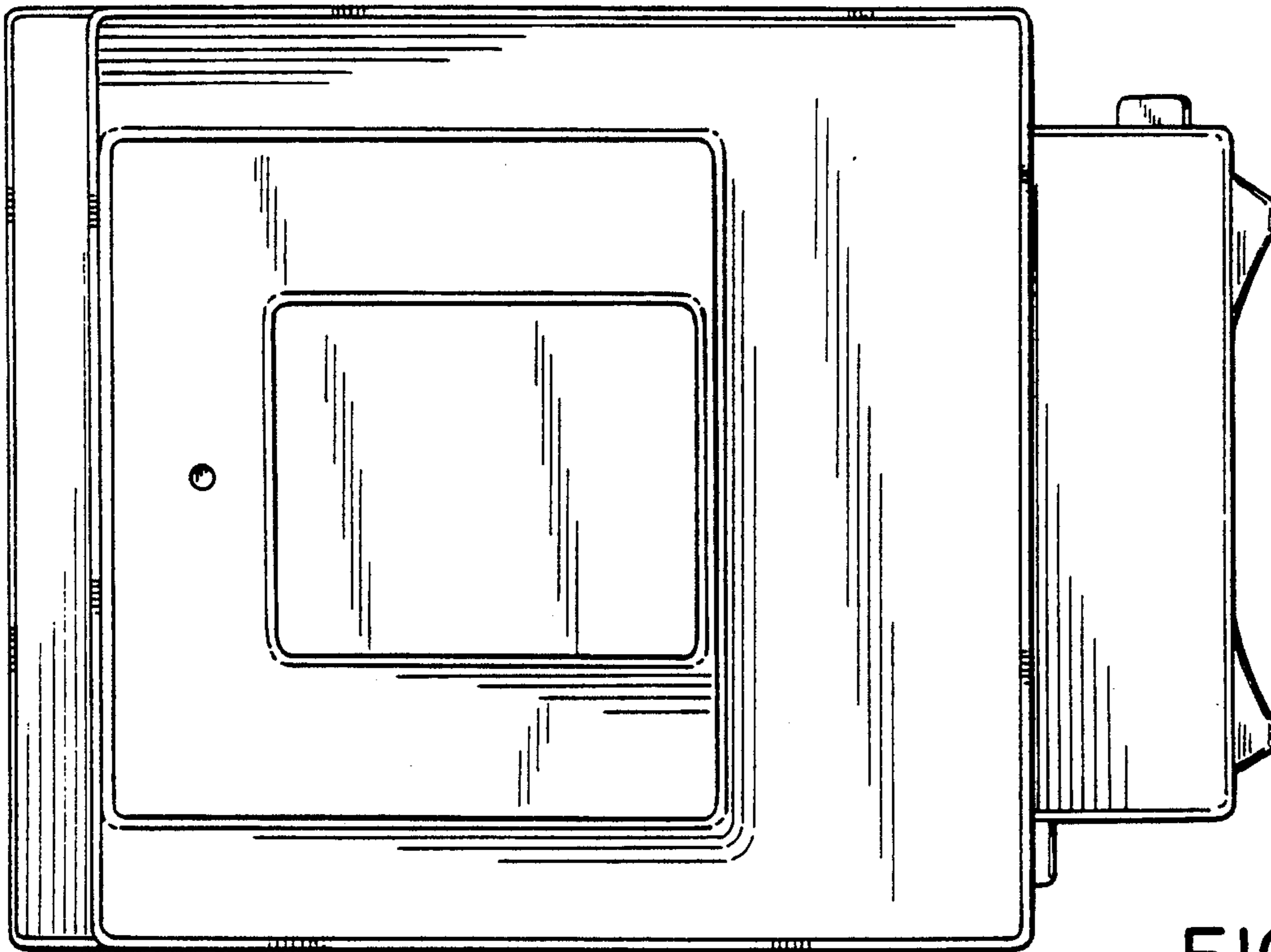
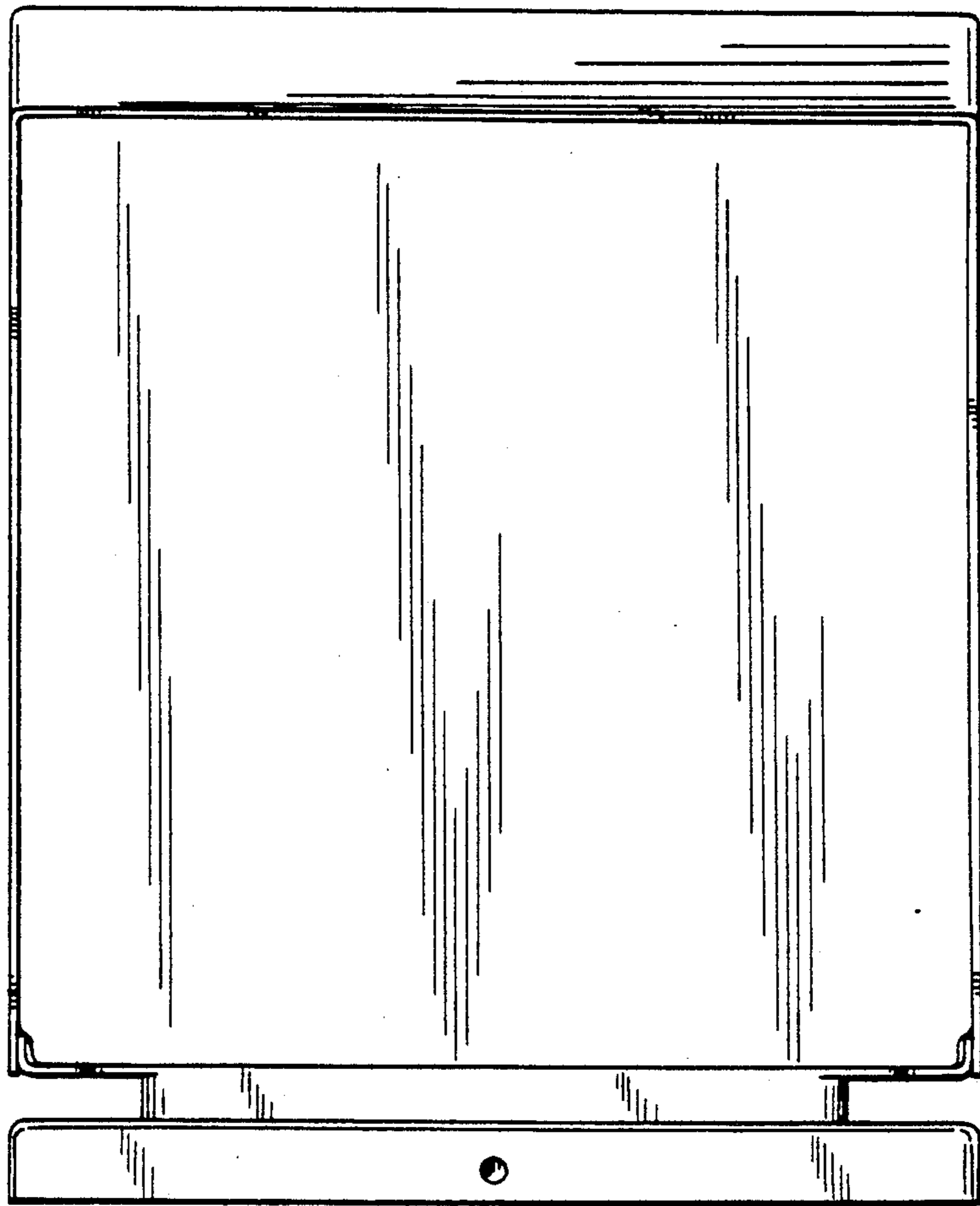


FIG. 5

FIG. 7

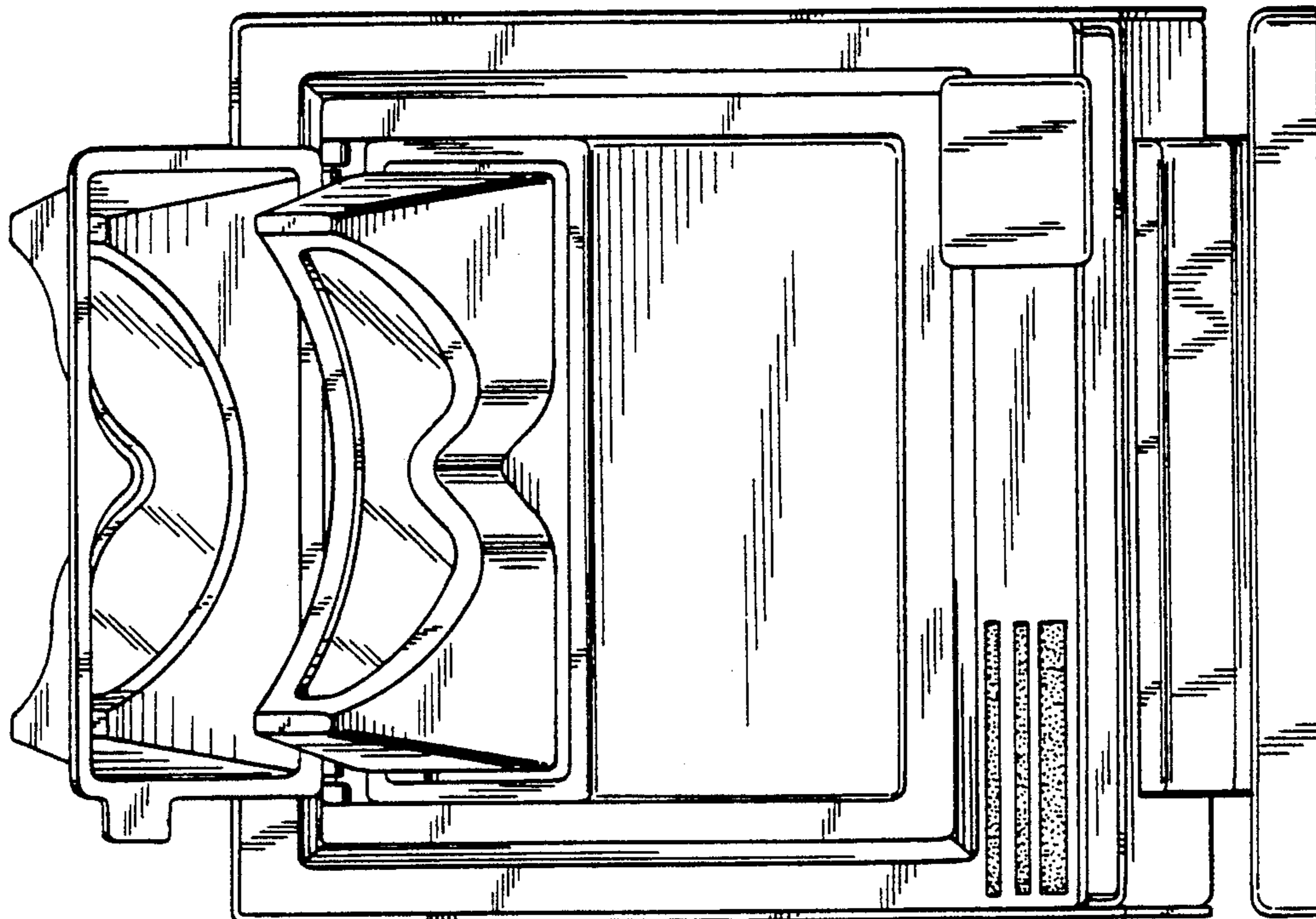


FIG. 6

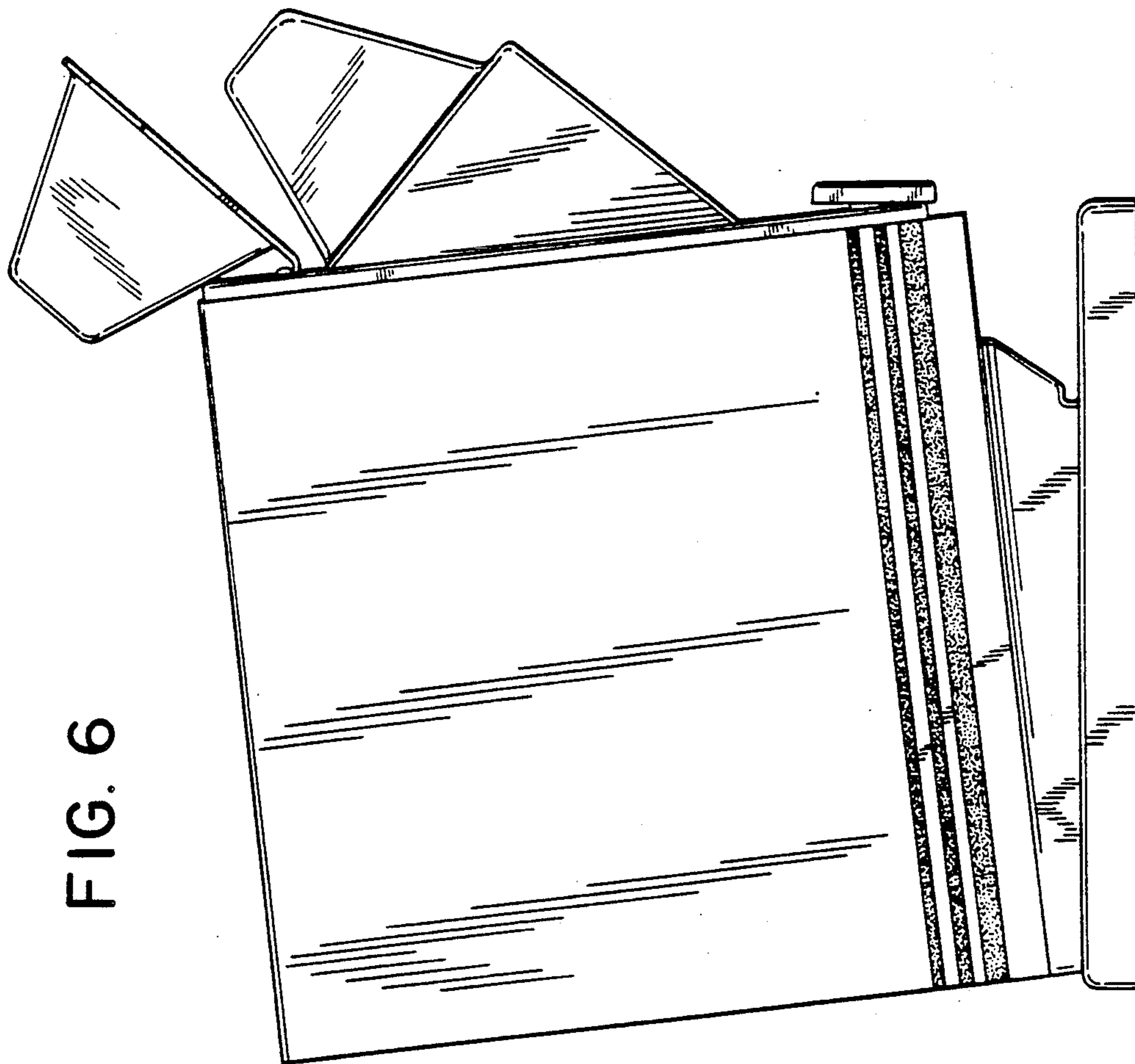


FIG. 8

