



US00D325526S

United States Patent [19]

[11] Patent Number: **Des. 325,526**

Deguchi et al.

[45] Date of Patent: **** Apr. 21, 1992**

[54] **BLISTER TRAY FOR INTRA-VASCULAR CATHETER ASSEMBLY**

D. 271,801 12/1983 Preussner D9/415 X
3,967,728 7/1976 Gordon et al. 206/364
4,979,616 12/1990 Clanton 206/364

[75] Inventors: **Hiromi Deguchi, Fujinomiya; Masashi Yoshikawa, Tokyo, both of Japan**

Primary Examiner—Stella Reid
Attorney, Agent, or Firm—Frishauf, Holtz, Goodman & Woodward

[73] Assignee: **Terumo Kabushiki Kaisha, Tokyo, Japan**

[57] **CLAIM**

[**] Term: **14 Years**

The ornamental design for a blister tray for intravascular catheter assembly, as shown and described.

[21] Appl. No.: **454,114**

DESCRIPTION

[22] Filed: **Dec. 20, 1989**

[30] **Foreign Application Priority Data**

Jun. 27, 1989 [JP] Japan 1-23511

[52] U.S. Cl. **D9/415**

[58] Field of Search D24/227; 206/364, 365, 206/828, 562-565, 557; D9/414, 415, 424, 418

FIG. 1 is a perspective view of a blister tray for intravascular catheter assembly showing our new design; FIG. 2 is a front elevational view thereof; FIG. 3 is a rear elevational view thereof; FIG. 4 is a top plan view thereof, the bottom plan view being a mirror image; FIG. 5 is a left side elevational view thereof; FIG. 6 is a right side elevational view thereof; FIG. 7 is a cross-sectional view thereof taken along the line VII—VII in FIG. 2; and, FIG. 8 is a cross-sectional view thereof taken along the line VIII—VIII in FIG. 2.

[56] **References Cited**

U.S. PATENT DOCUMENTS

D. 210,931 5/1968 Armentrout et al. D9/415
D. 271,422 11/1983 Breland D9/415 X

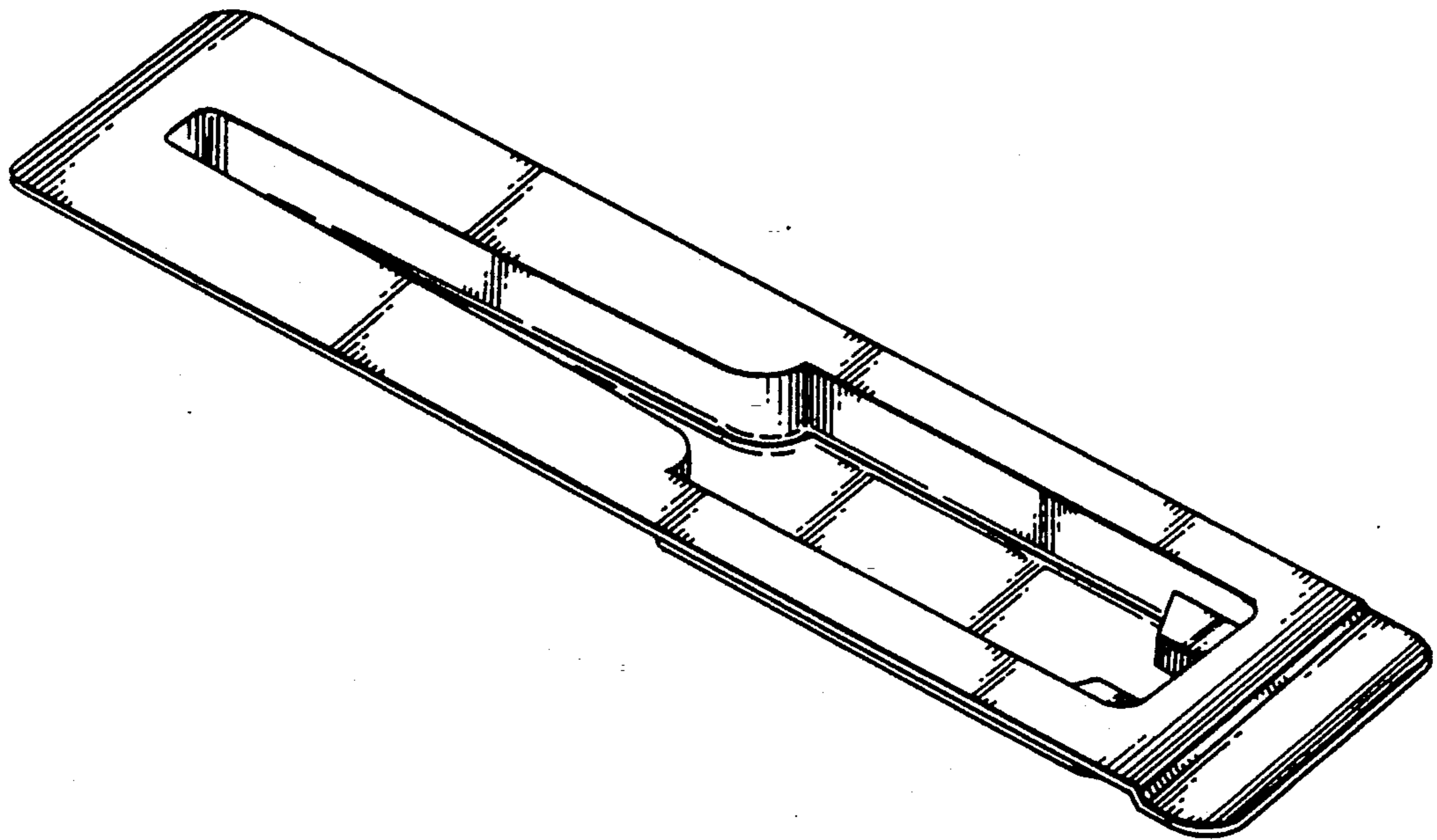


FIG. 1

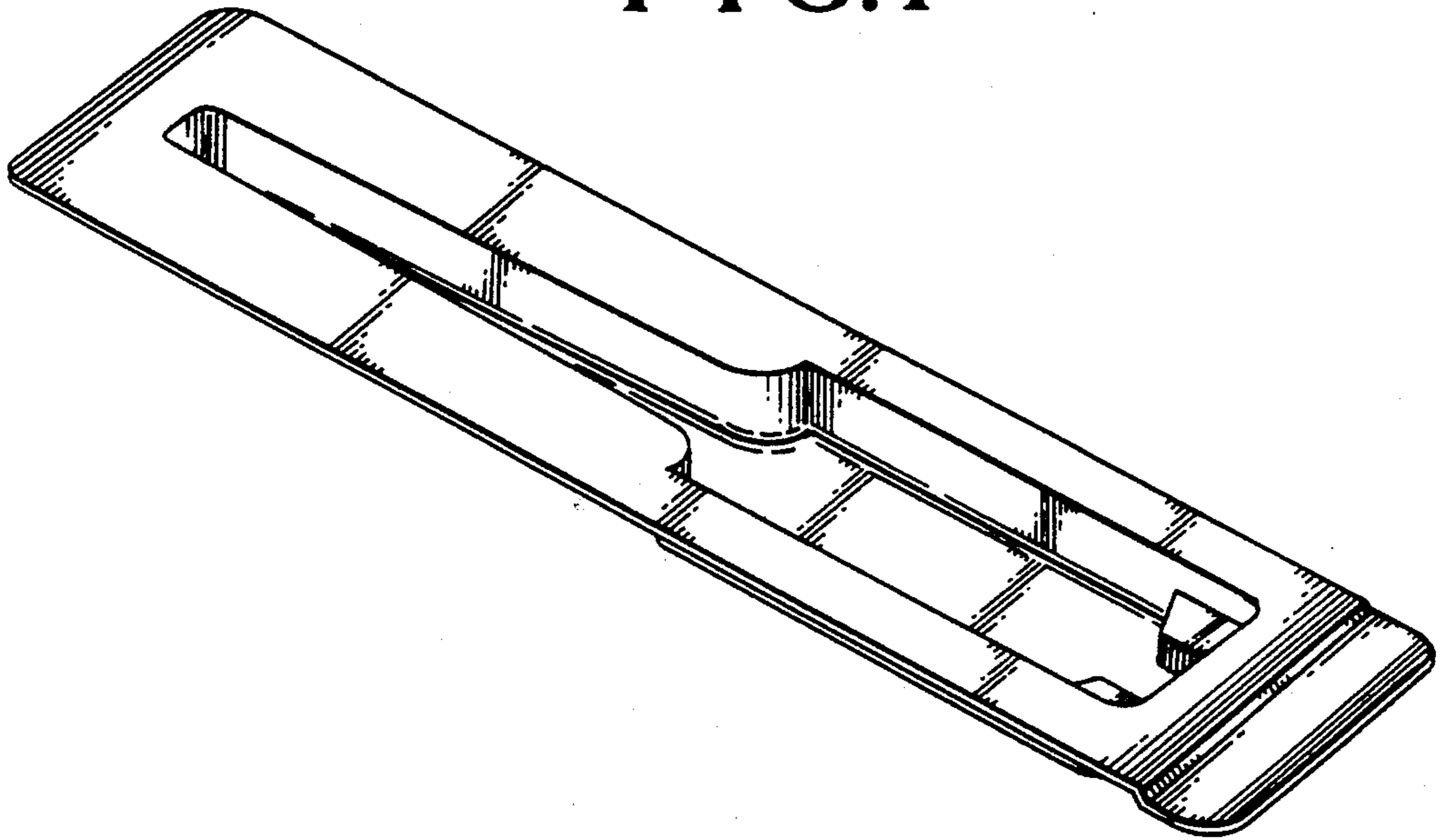


FIG. 2

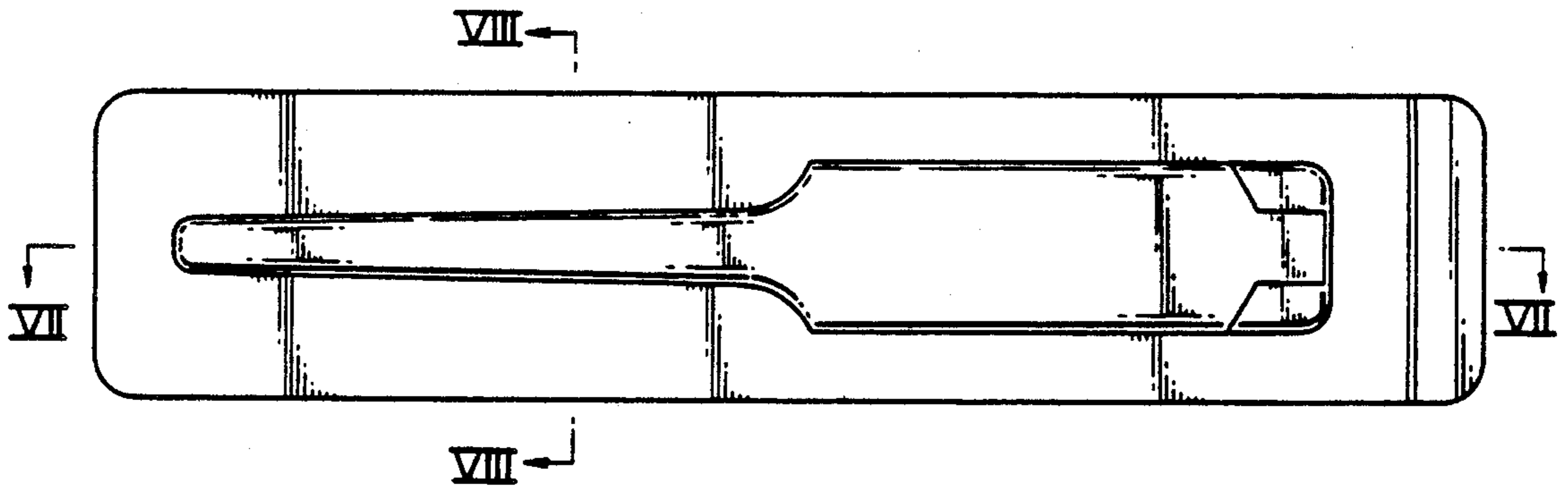


FIG. 3

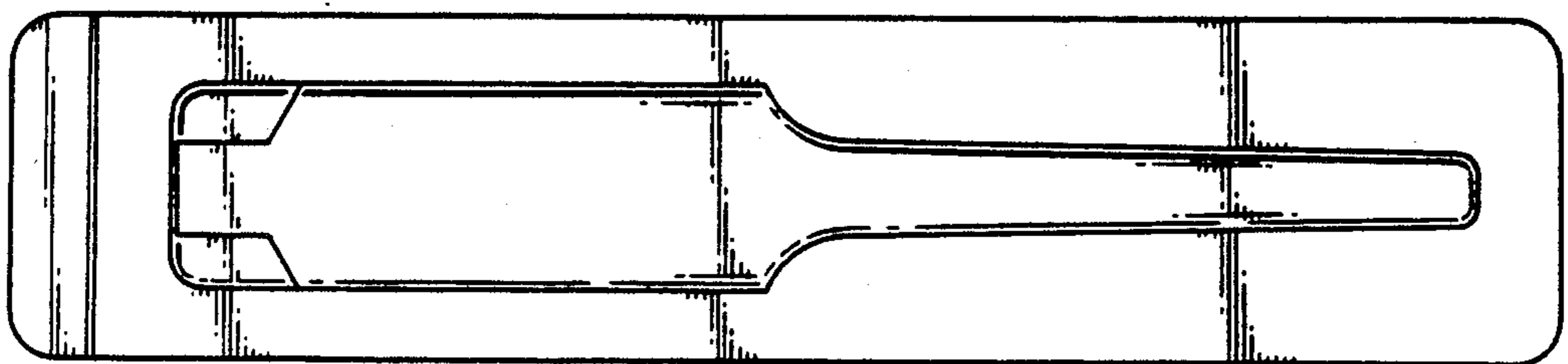


FIG.4



FIG.5

FIG.6



FIG.7



FIG.8

