



US00D325510S

# United States Patent [19]

Slye

[11] Patent Number: **Des. 325,510**

[45] Date of Patent: **\*\* Apr. 21, 1992**

[54] **TOILET SEAT LIFT HANDLE**

[76] Inventor: **Eric A. Slye, 816 W. 14th St., Muncie, Ind. 47302**

[\*\*] Term: **14 Years**

[21] Appl. No.: **703,125**

[22] Filed: **May 20, 1991**

[52] U.S. Cl. .... **D8/307**

[58] Field of Search ..... **D23/250-254, D23/310, 311; D8/300, 307, 308, 311; 4/237, 251, 253; 16/111 R, 114**

[56] **References Cited**

### U.S. PATENT DOCUMENTS

- D. 191,497 10/1961 Hottle ..... D8/300
- D. 245,095 7/1977 Murray ..... D23/311 X
- D. 273,128 3/1984 Roddick ..... D8/307
- D. 295,603 5/1988 Giallourakis ..... D8/307
- D. 295,604 5/1988 Purdy ..... D8/307
- 4,129,907 12/1978 Vaughan et al. .... 4/251
- 4,574,401 3/1986 Nakajima ..... 4/251

- 4,805,246 2/1989 DeVargas et al. .... 4/251
- 4,875,251 10/1989 Hazard ..... 4/251 X

### FOREIGN PATENT DOCUMENTS

- 489675 11/1954 Italy ..... 4/251

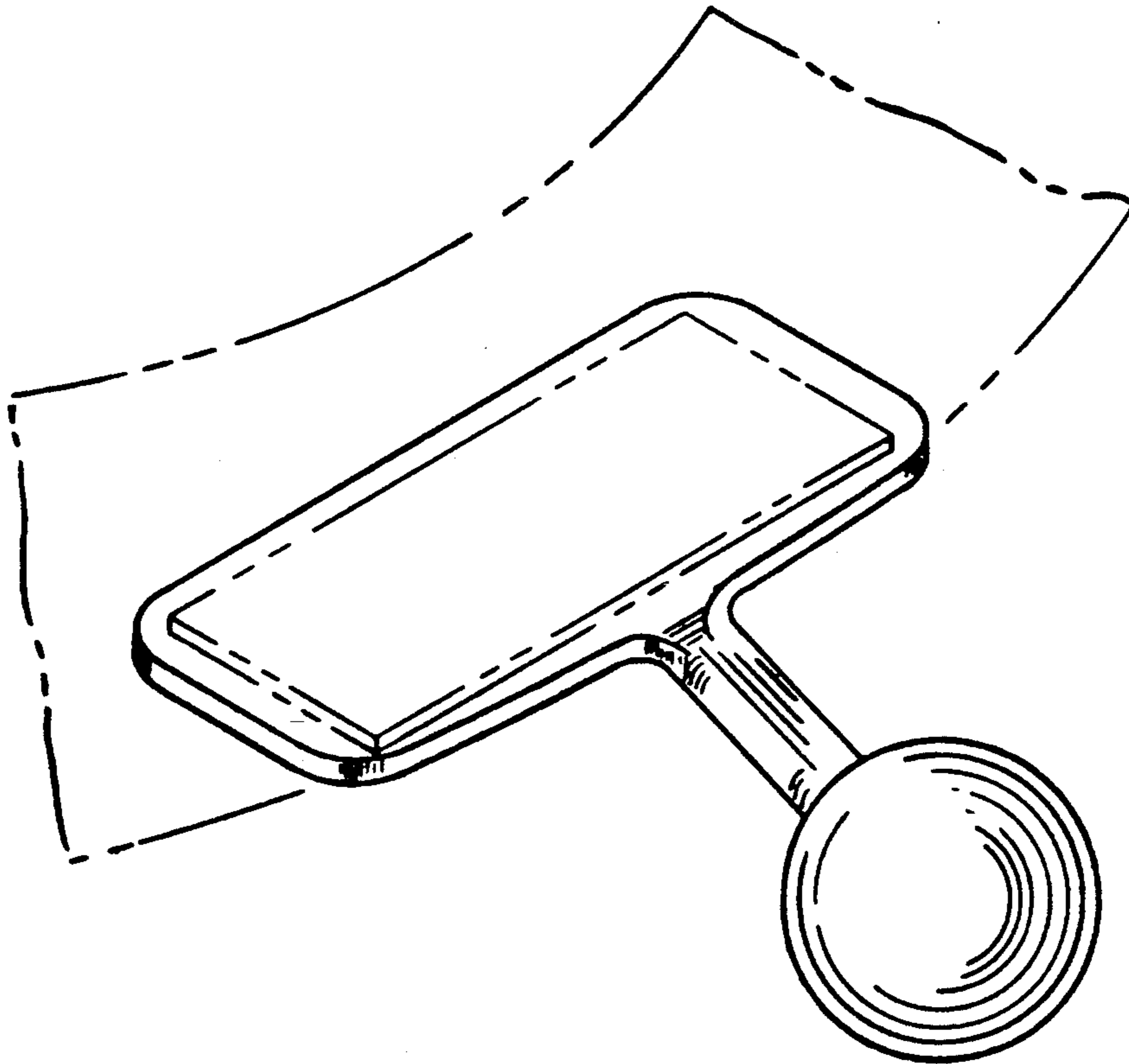
*Primary Examiner*—James R. Largen

### [57] CLAIM

The ornamental design for a toilet seat lift handle, as shown and described.

### DESCRIPTION

FIG. 1 is a perspective view taken from the top and front of a toilet seat lift handle showing my new design; FIG. 2 is a left side elevational view thereof; FIG. 3 is a front elevational view thereof; FIG. 4 is a top plan view thereof; FIG. 5 is a bottom plan view thereof; and, FIG. 6 is a rear elevational view thereof. The fragmentary broken line representation of a toilet seat and the broken line representation of an adhesive pad in FIG. 1 is for purposes of illustration only and form no part of the claimed design.



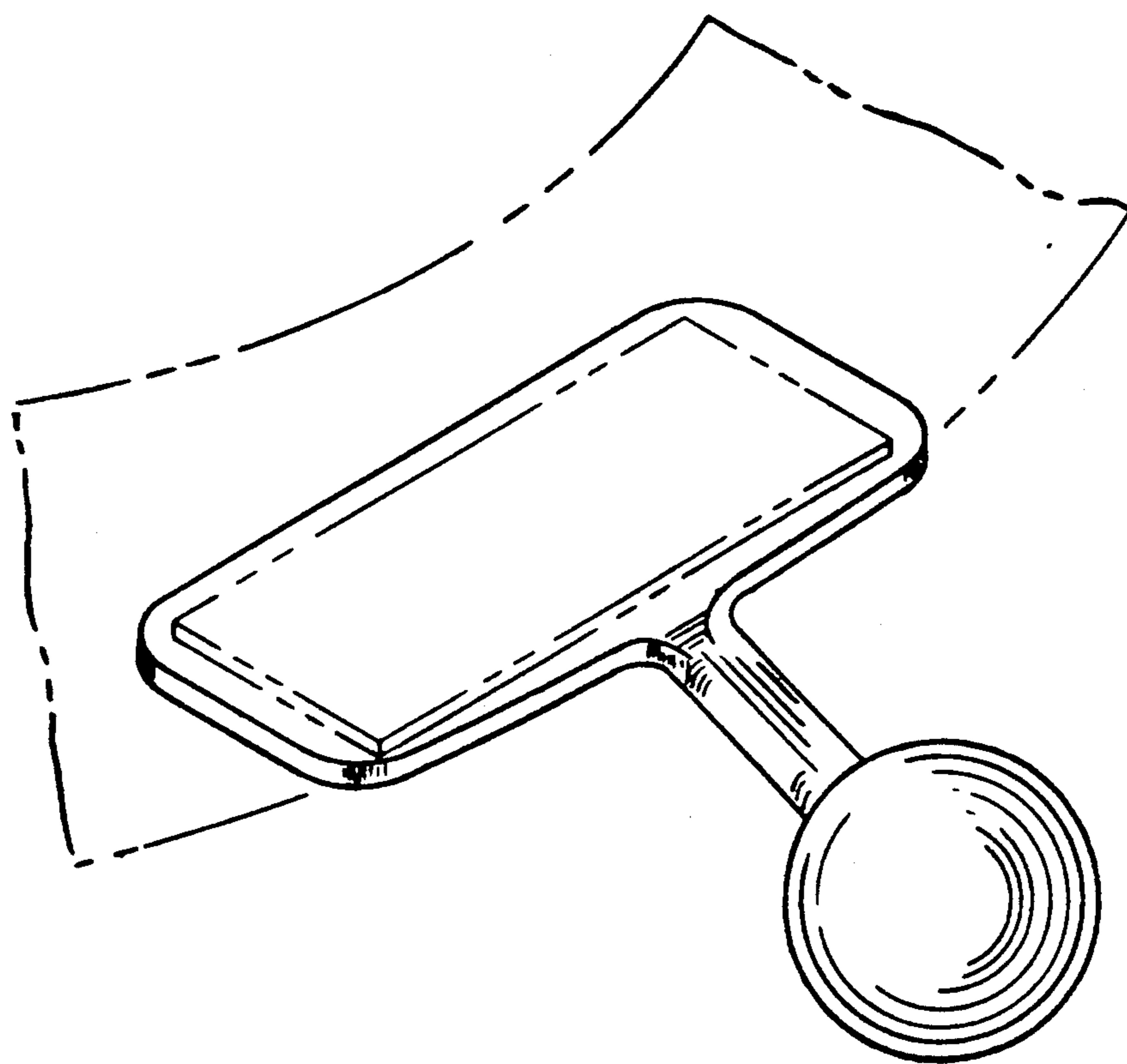
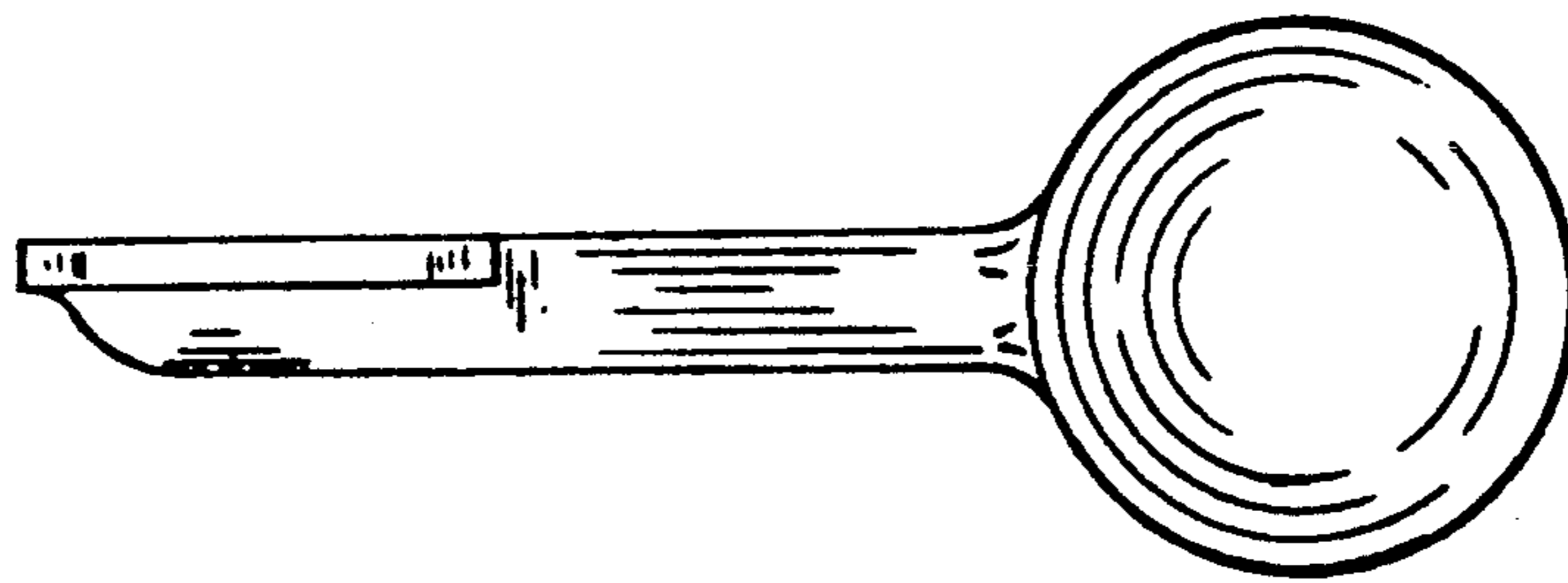


FIG. 1



*FIG. 2*

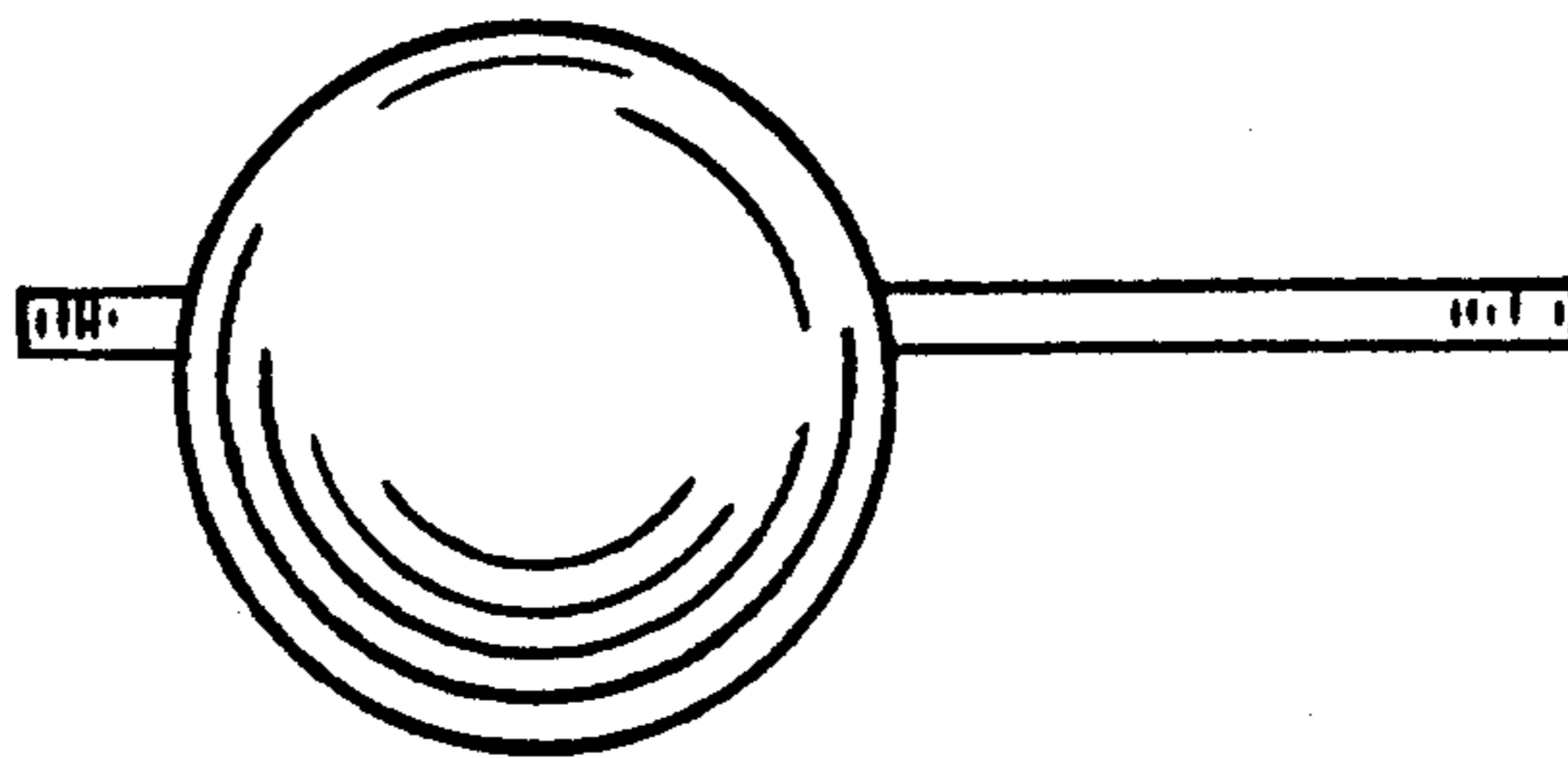


FIG. 3

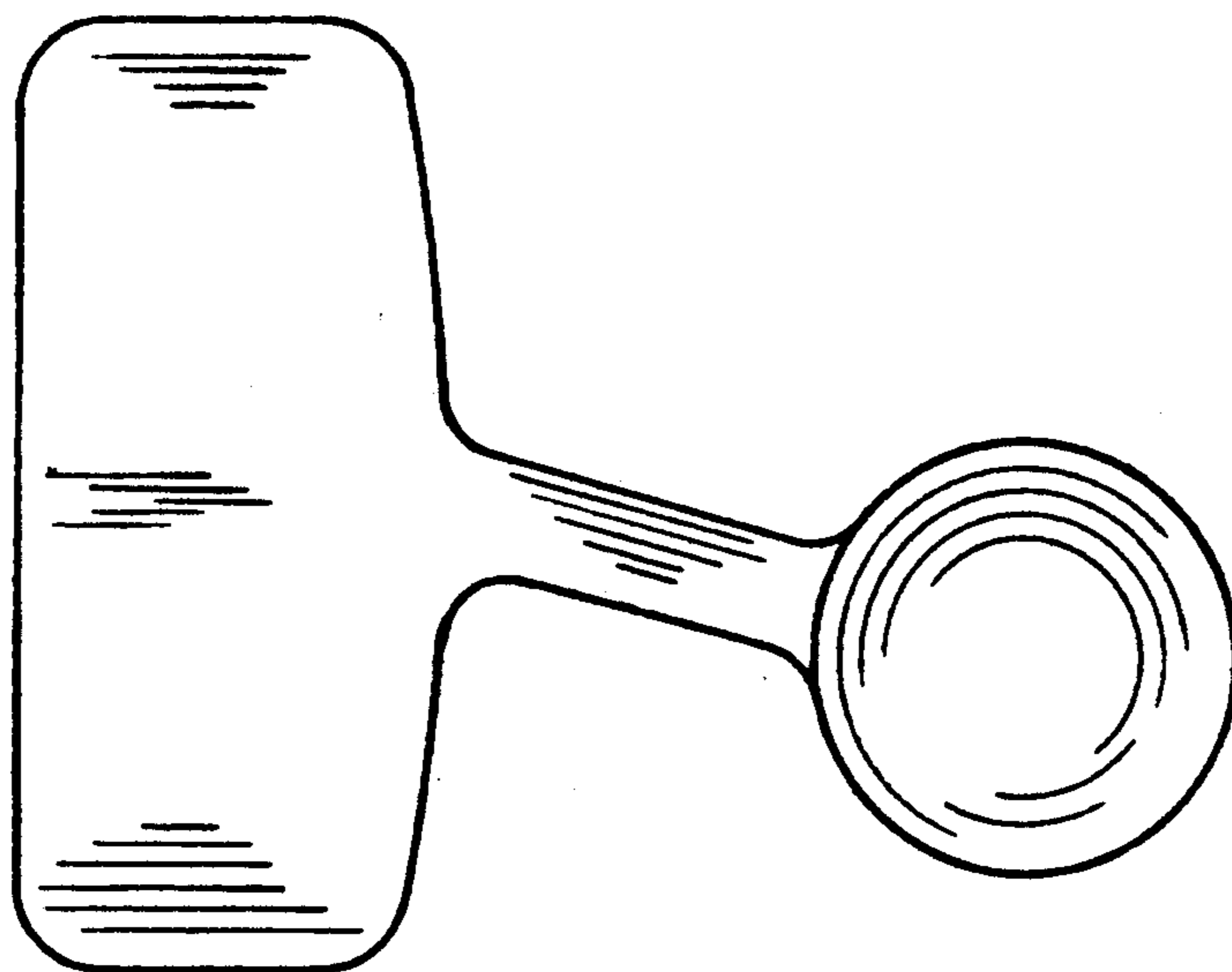


FIG. 4

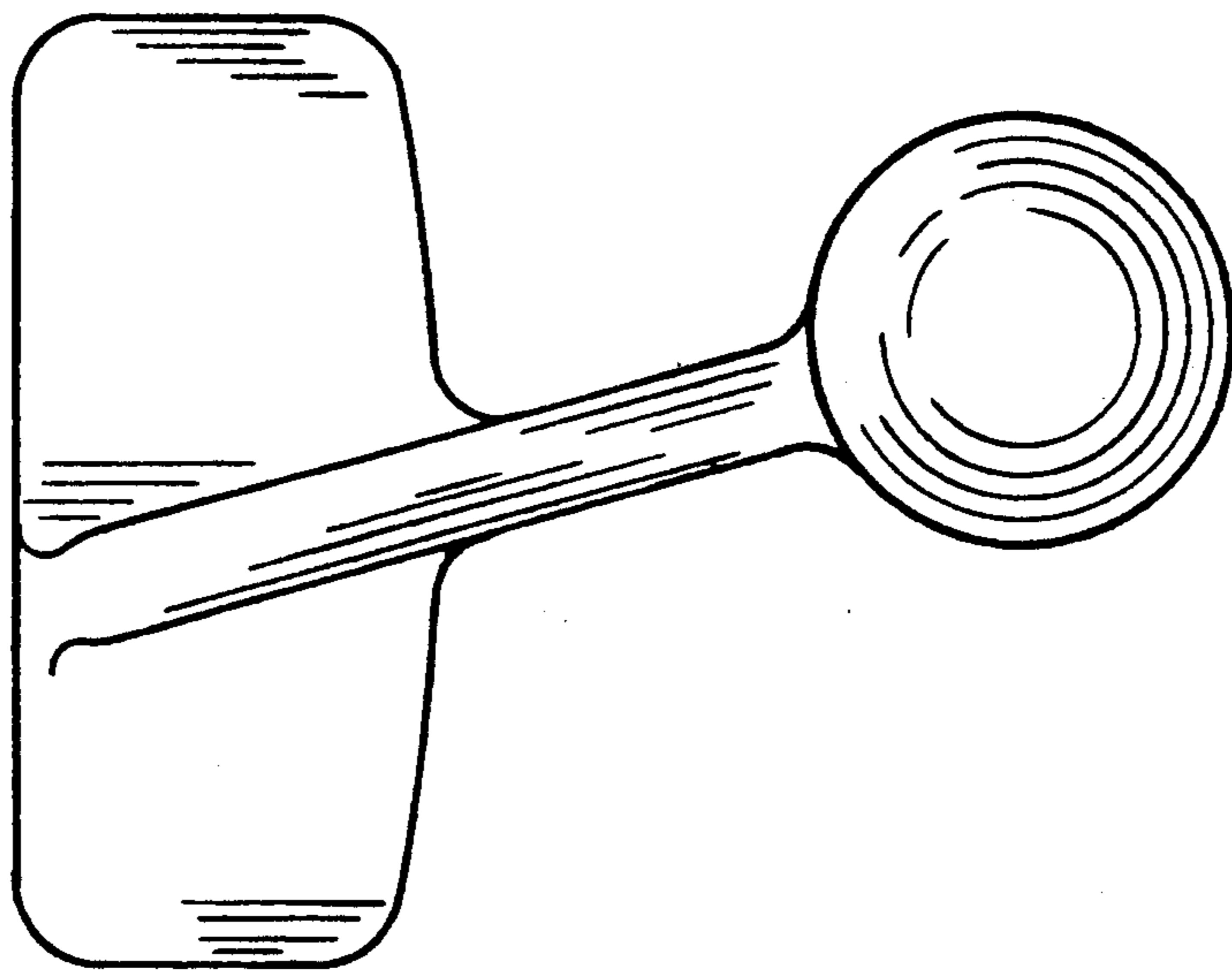


FIG. 5

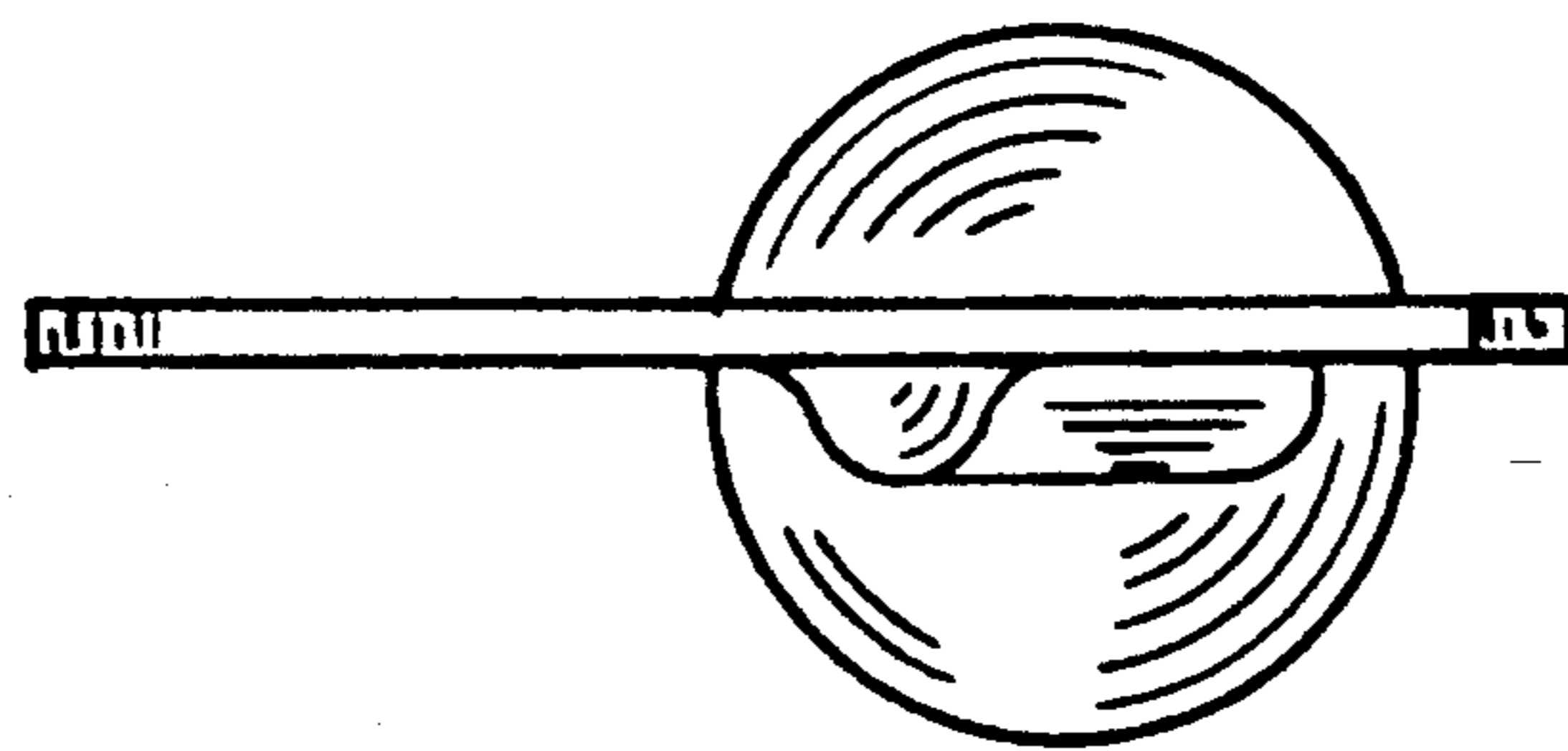


FIG. 6