



US00D325508S

United States Patent [19]

Castricone, Jr. et al.

[11] Patent Number: Des. 325,508

[45] Date of Patent: ** Apr. 21, 1992

[54] HANDLE

[76] Inventors: Louis J. Castricone, Jr.; Lisa A. Castricone, both of 2406 Niagara Rd., Niagara Falls, N.Y. 14304

[**] Term: 14 Years

[21] Appl. No.: 347,798

[22] Filed: May 5, 1989

[52] U.S. Cl. D8/300

[58] Field of Search D7/543, 545, 605, 608; D8/300, 303, 307, 315, 319; 16/111 R, 125, DIG. 12, DIG. 19; 220/94 R, 95; 229/914; 294/153, 164, 171; D9/378, 381, 455

[56] References Cited

U.S. PATENT DOCUMENTS

D. 189,939	3/1961	Burton	D7/608
D. 202,492	10/1965	Riegelman	D8/319
3,792,806	2/1974	Layton	224/49
3,912,075	10/1975	Berry	206/158
4,088,250	5/1978	Schaefer	224/5 W
4,095,711	6/1978	Conley	220/94 R
4,235,331	11/1980	Bates, III	206/170
4,241,831	12/1980	Locatelli	220/94 R

4,278,172	7/1981	Ghebresilassie	206/544
4,372,453	2/1983	Branscum	215/13 R
4,570,800	2/1986	Lockett	206/545
4,657,295	4/1987	Holem	294/162
4,754,379	6/1988	Kelley	362/202
4,775,072	10/1988	Lundblade	220/94 R

FOREIGN PATENT DOCUMENTS

1286625 8/1972 United Kingdom 16/111

OTHER PUBLICATIONS

Aladdin Stanley thermos handles sheet, undated.

Primary Examiner—Bernard Ansher

Assistant Examiner—Sandra Morris

[57] CLAIM

The ornamental design for a handle, as shown and described.

DESCRIPTION

FIG. 1 is a front perspective view of a handle, showing our new design; FIG. 2 is a right side elevational view thereof, the other side being identical; and, FIG. 3 is a back perspective view thereof.

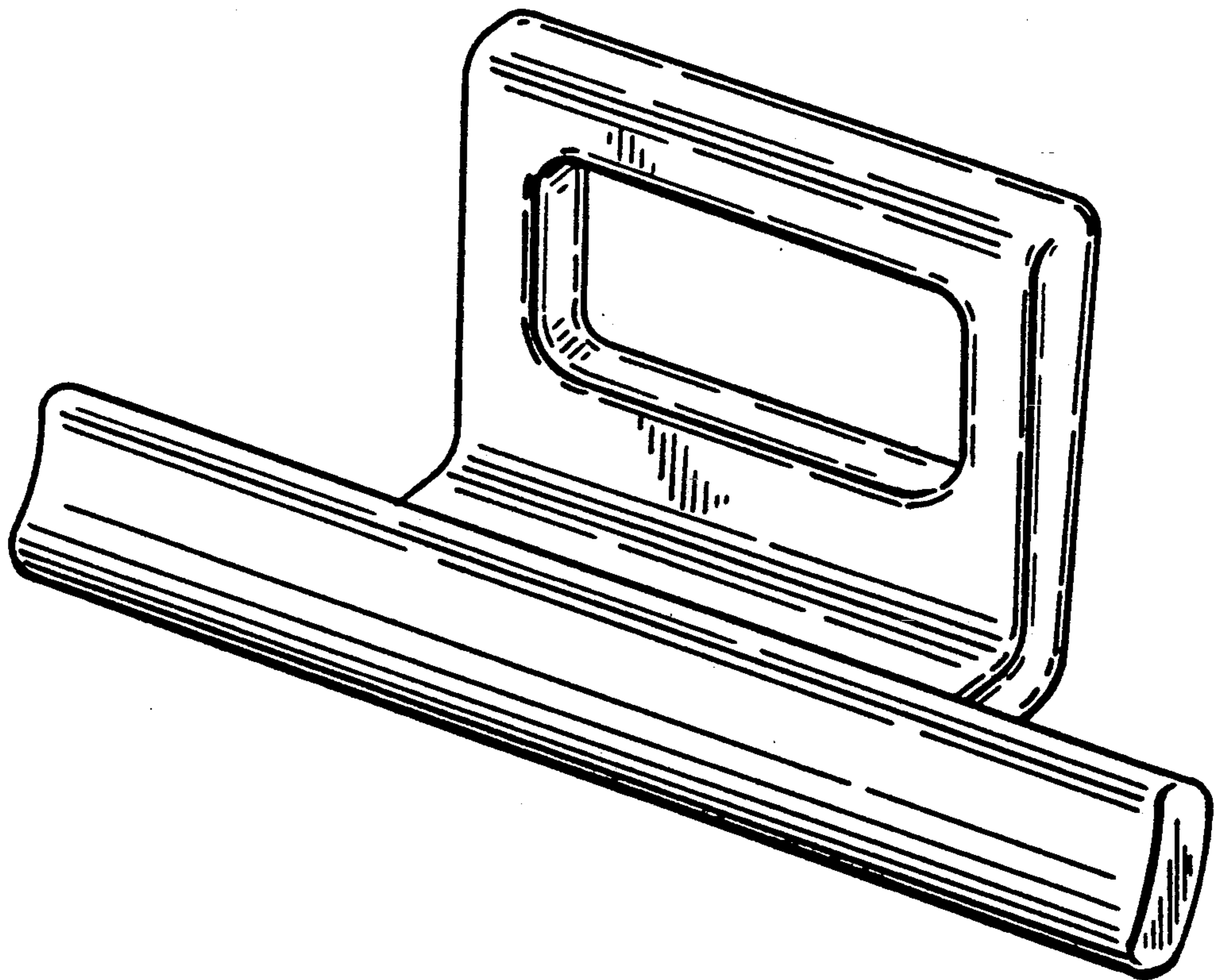


Fig. 1.

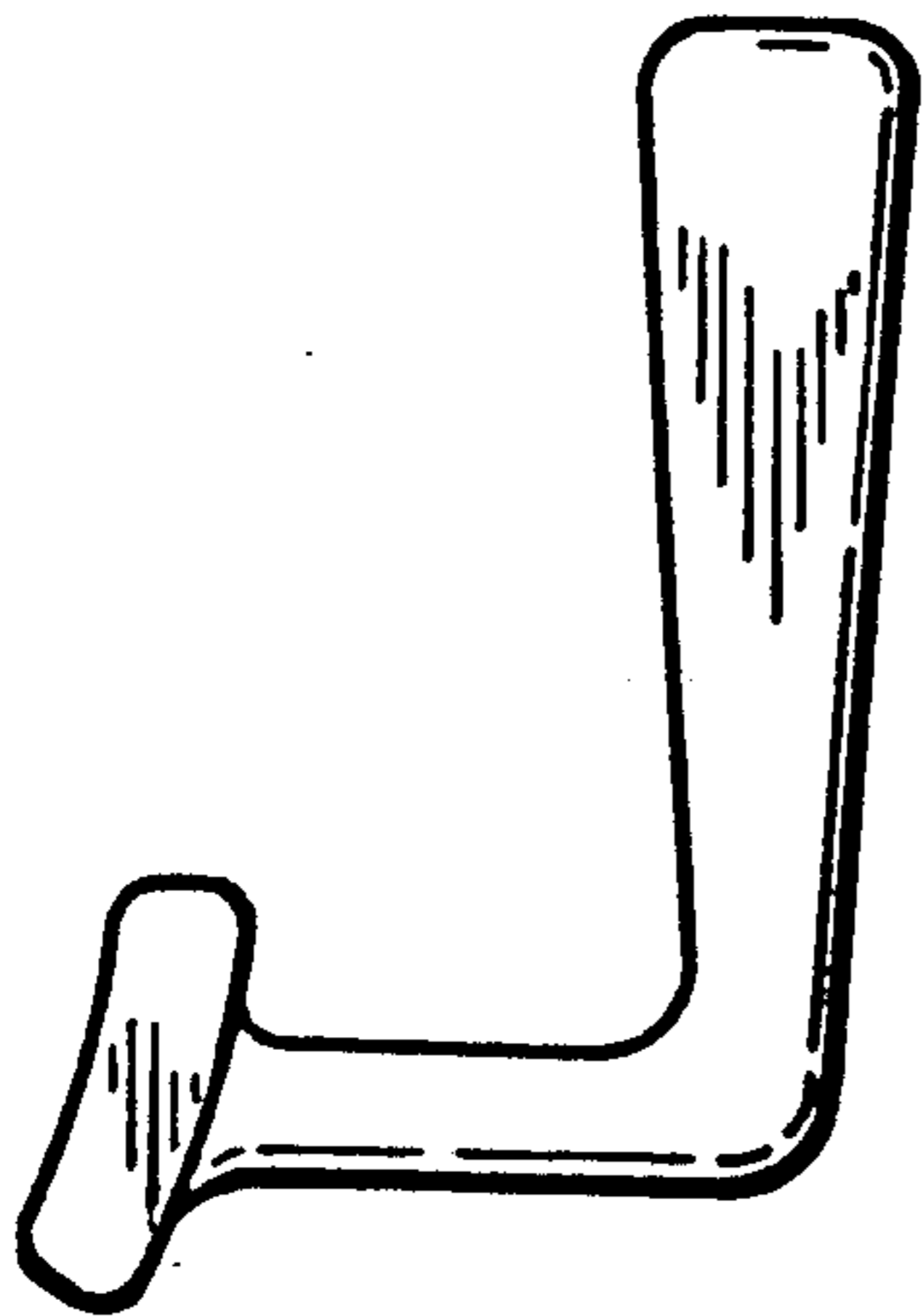
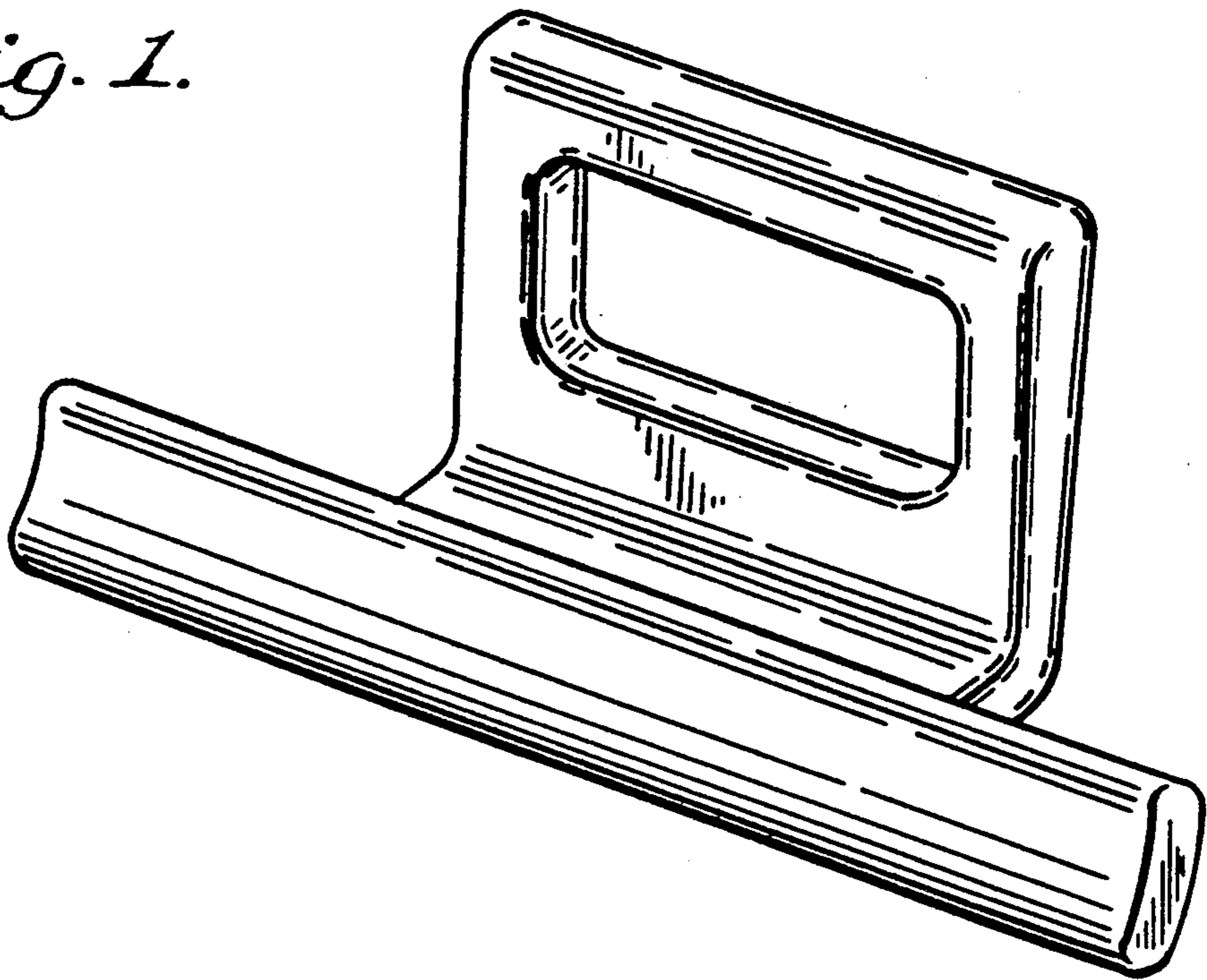


Fig. 2.

Fig. 3.

