



US00D325506S

United States Patent [19]

Michas et al.

[11] Patent Number: **Des. 325,506**

[45] Date of Patent: **** Apr. 21, 1992**

[54] HACKSAW

[76] Inventors: **Peter Michas**, 3015 Shadid Dr., Colton, Calif. 92324; **Fred Neal, Jr.**, Rte. 3, Box 455, Marshall, Tex. 75670

[**] Term: **14 Years**

[21] Appl. No.: **407,131**

[22] Filed: **Sep. 14, 1989**

[52] U.S. Cl. **D8/96**

[58] Field of Search **D8/95, 96; 30/511, 513, 30/514, 517, 539**

| | | | | |
|-----------|---------|----------|-------|--------|
| 2,520,145 | 8/1950 | Horton | | 30/511 |
| 2,612,920 | 10/1952 | Williams | | 30/511 |
| 2,771,925 | 11/1956 | Littman | | 30/517 |

OTHER PUBLICATIONS

Wilson publication reference, 6/1949, utility saw.

Primary Examiner—Bernard Ansher

Assistant Examiner—Philip Hyder

Attorney, Agent, or Firm—Lalos & Keegan

[57] CLAIM

The ornamental design for a hacksaw, as shown and described.

[56] References Cited

U.S. PATENT DOCUMENTS

| | | | | |
|------------|---------|---------------|-------|--------|
| D. 49,295 | 7/1916 | Bowman | | D8/96 |
| D. 160,574 | 10/1950 | Carlson | | D8/96 |
| D. 240,111 | 6/1976 | Breger et al. | | D8/96 |
| D. 244,666 | 6/1977 | Kaywood | | D8/96 |
| D. 305,296 | 1/1990 | Nelson | | D8/96 |
| D. 307,536 | 5/1990 | Alm | | D8/95 |
| 1,175,582 | 3/1916 | Bangert | | 30/511 |

DESCRIPTION

FIG. 1 is a perspective view of a hacksaw showing our new design;

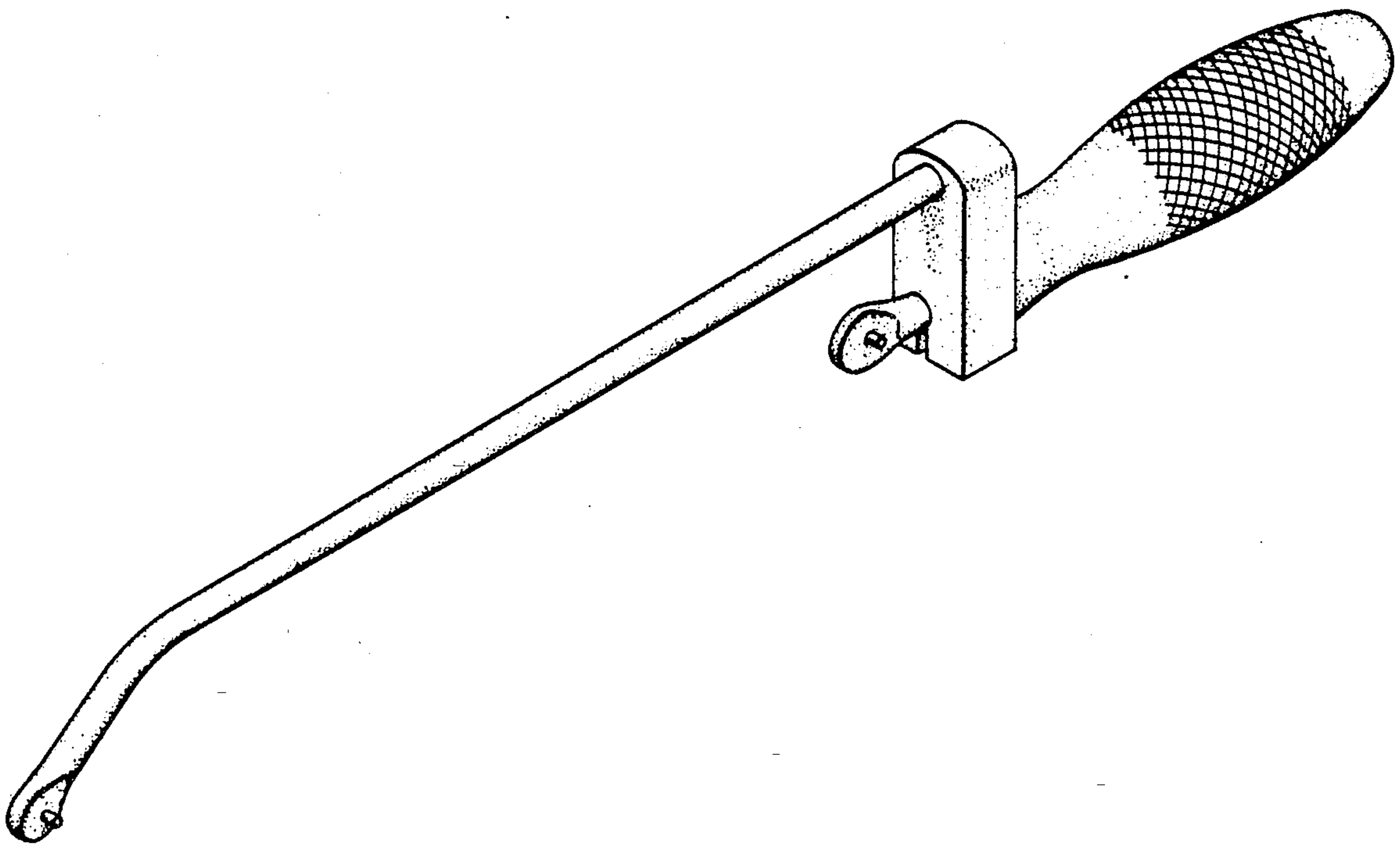
FIG. 2 is a front elevational view thereof;

FIG. 3 is a top plan view thereof;

FIG. 4 is a bottom plan view thereof;

FIG. 5 is a left side elevational thereof; and,

FIG. 6 is a right side elevational thereof.



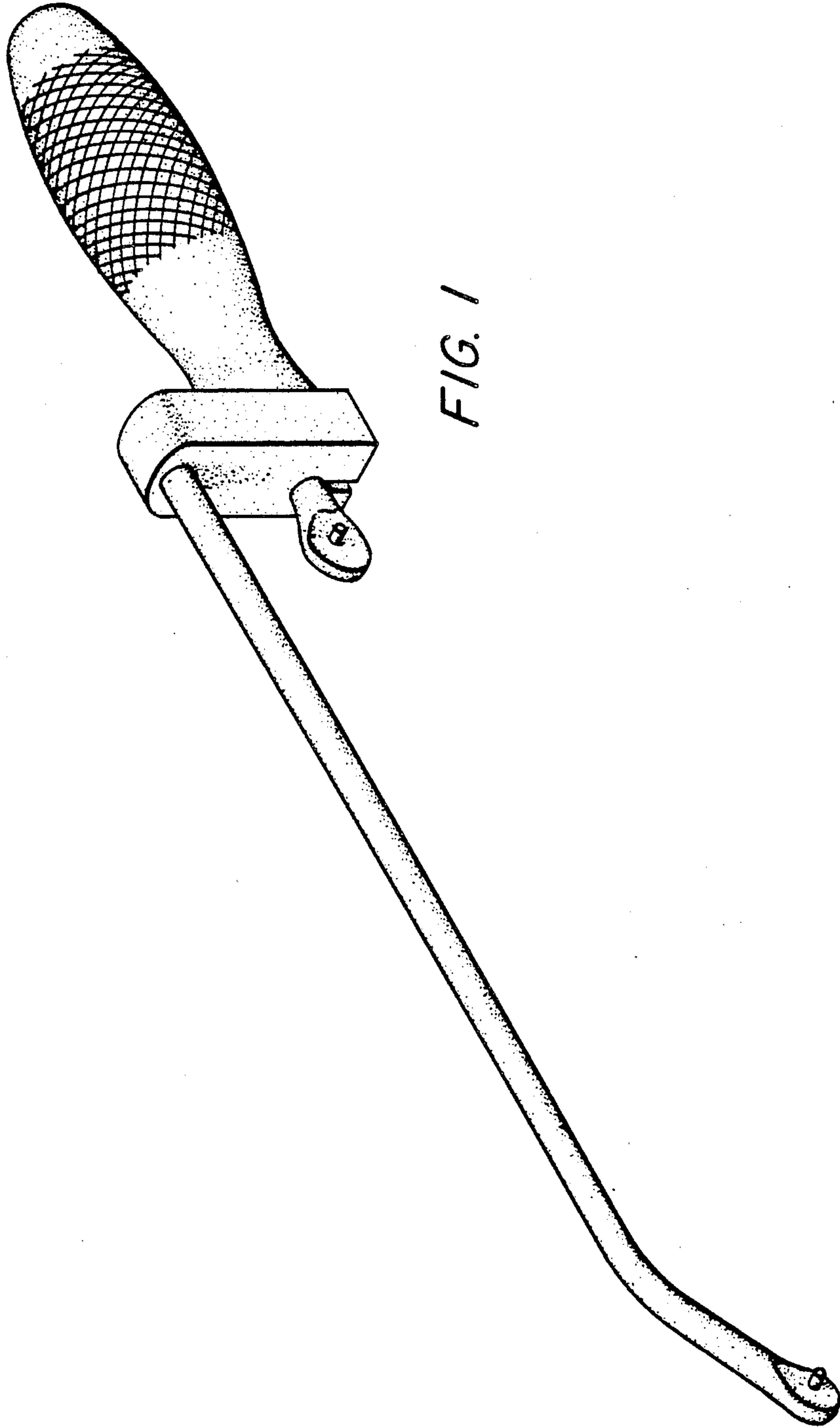


FIG. 1

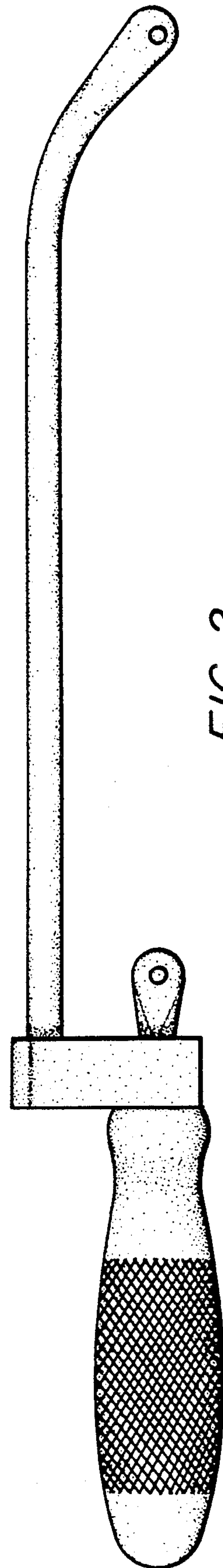


FIG. 2

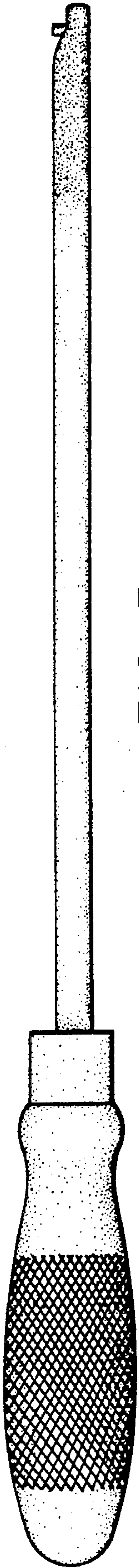


FIG. 3

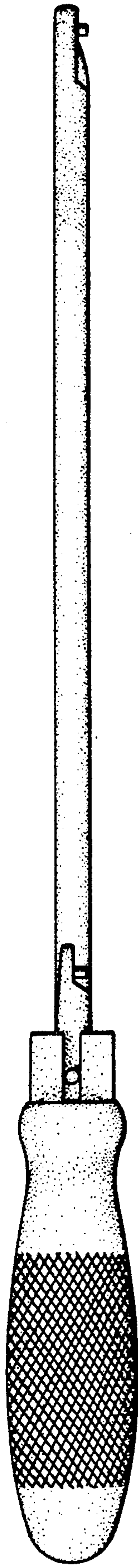


FIG. 4

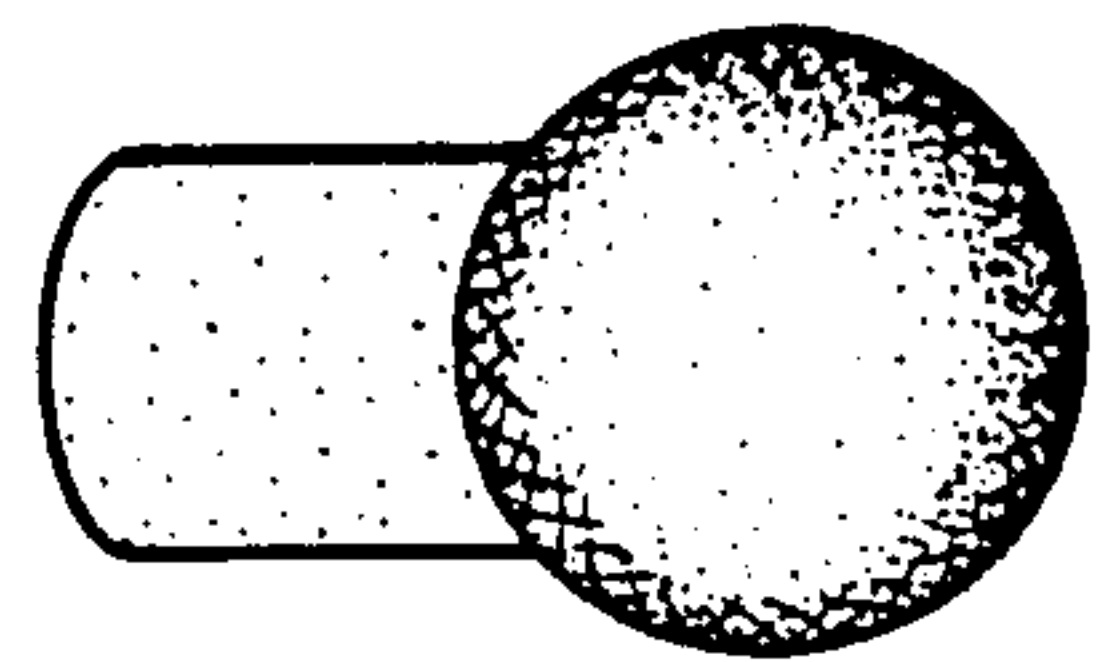


FIG. 5

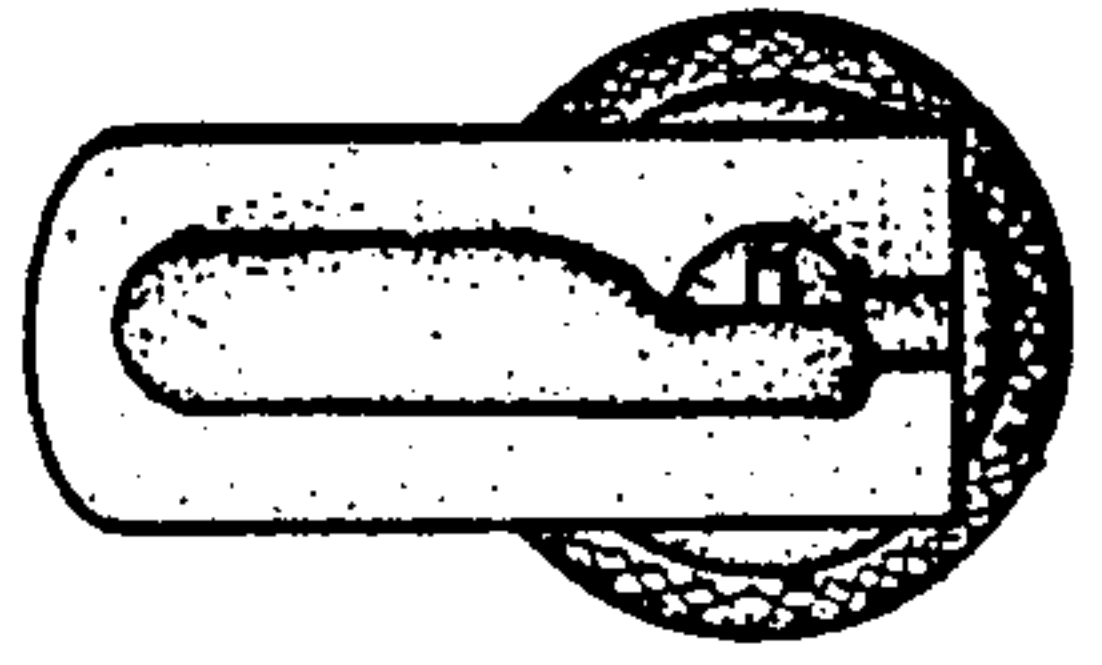


FIG. 6