



US00D325505S

United States Patent [19]

[11] Patent Number: **Des. 325,505**

Hernandez

[45] Date of Patent: **** Apr. 21, 1992**

[54] **DOOR MOUNTING STAND**

[76] Inventor: **Alfonso M. Hernandez**, 3301 Jerome, Dallas, Tex. 75223

[**] Term: **14 Years**

[21] Appl. No.: **441,416**

[22] Filed: **Nov. 27, 1989**

[52] U.S. Cl. **D8/71**

[58] Field of Search 248/125, 124, 172, 670, 248/129; 269/17, 59, 76, 152; 414/10, 11, 589, 590; D8/71

4,728,065 3/1988 Coote 248/129
 4,810,151 3/1989 Shern 414/11
 4,932,391 6/1990 Bierdeman 248/125

Primary Examiner—Nelson C. Holtje
Assistant Examiner—J. H. Musgrove
Attorney, Agent, or Firm—Leon Gilden

[57] **CLAIM**

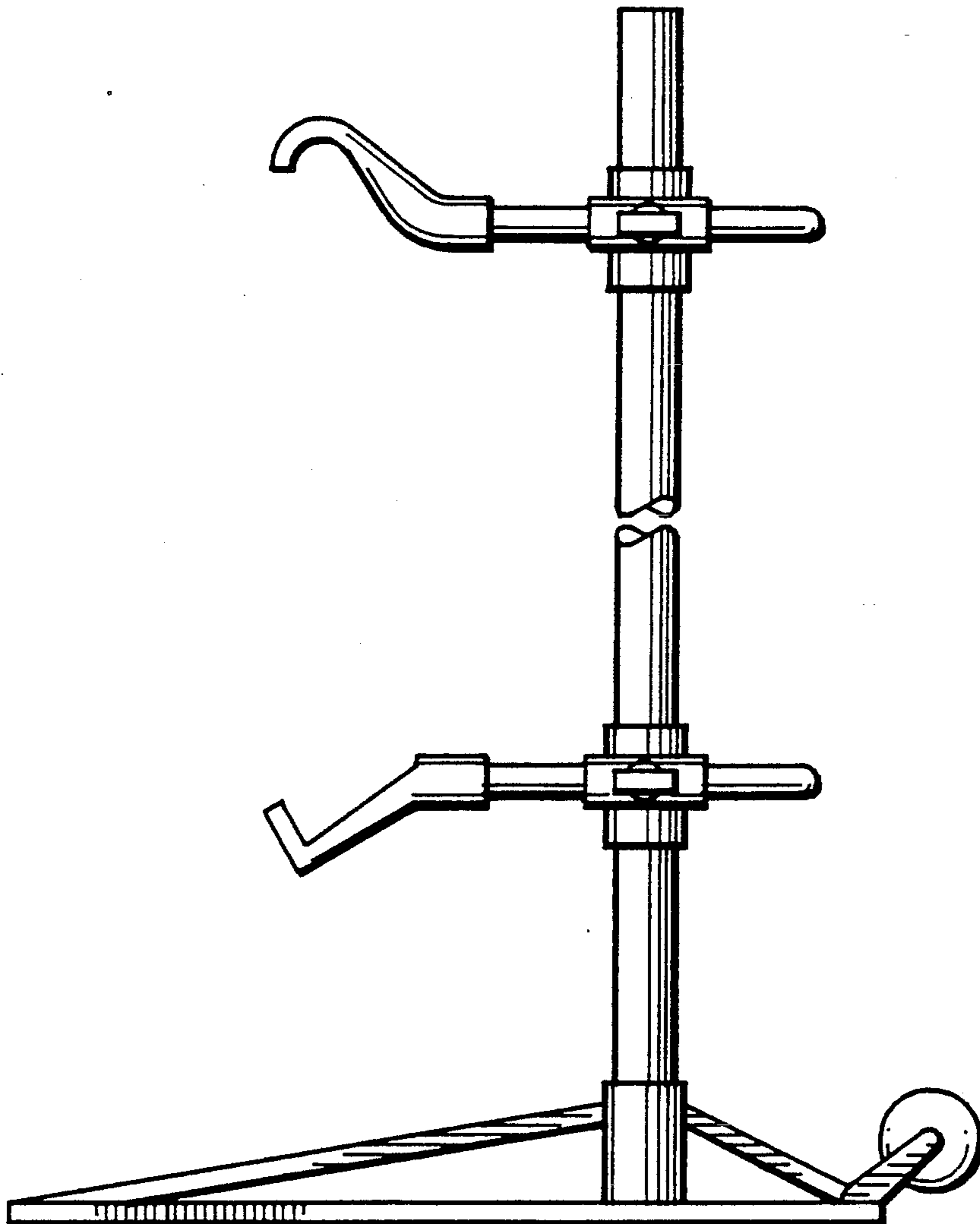
The ornamental design for a door mounting stand, as shown and described.

DESCRIPTION

FIG. 1 is a front elevational view of a door mounting stand showing my new design;
 FIG. 2 is a rear elevational view thereof;
 FIG. 3 is a left side elevational view thereof;
 FIG. 4 is a right side elevational view thereof;
 FIG. 5 is a top plan view thereof; and,
 FIG. 6 is a bottom plan view thereof.

[56] **References Cited**
U.S. PATENT DOCUMENTS

2,849,745 9/1958 Madsen 248/124
 3,643,935 2/1972 Bell 269/17
 3,858,864 1/1975 Waldow 269/17
 3,923,167 12/1975 Blankenbeckler 414/11



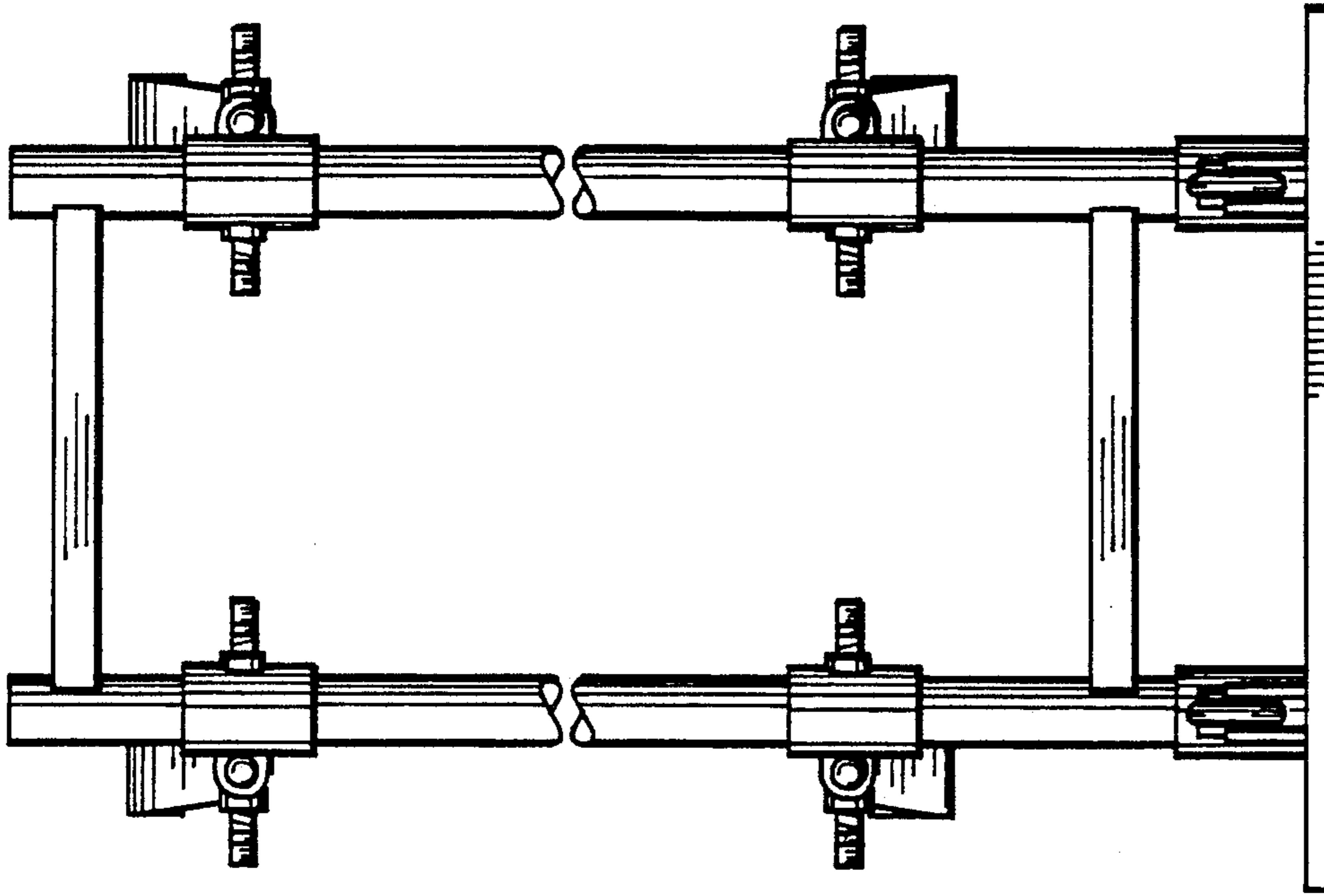


Fig. 1

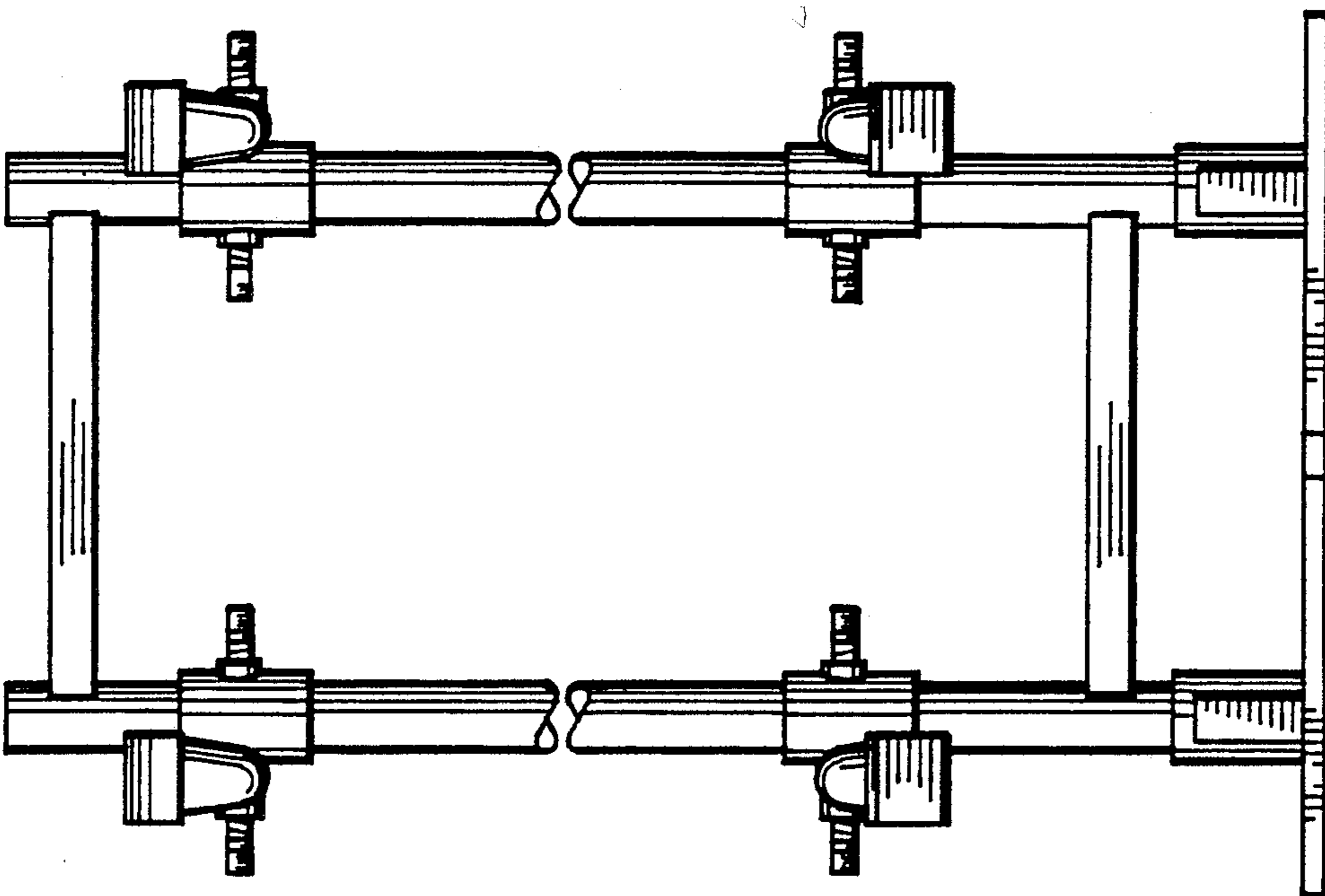


Fig. 2

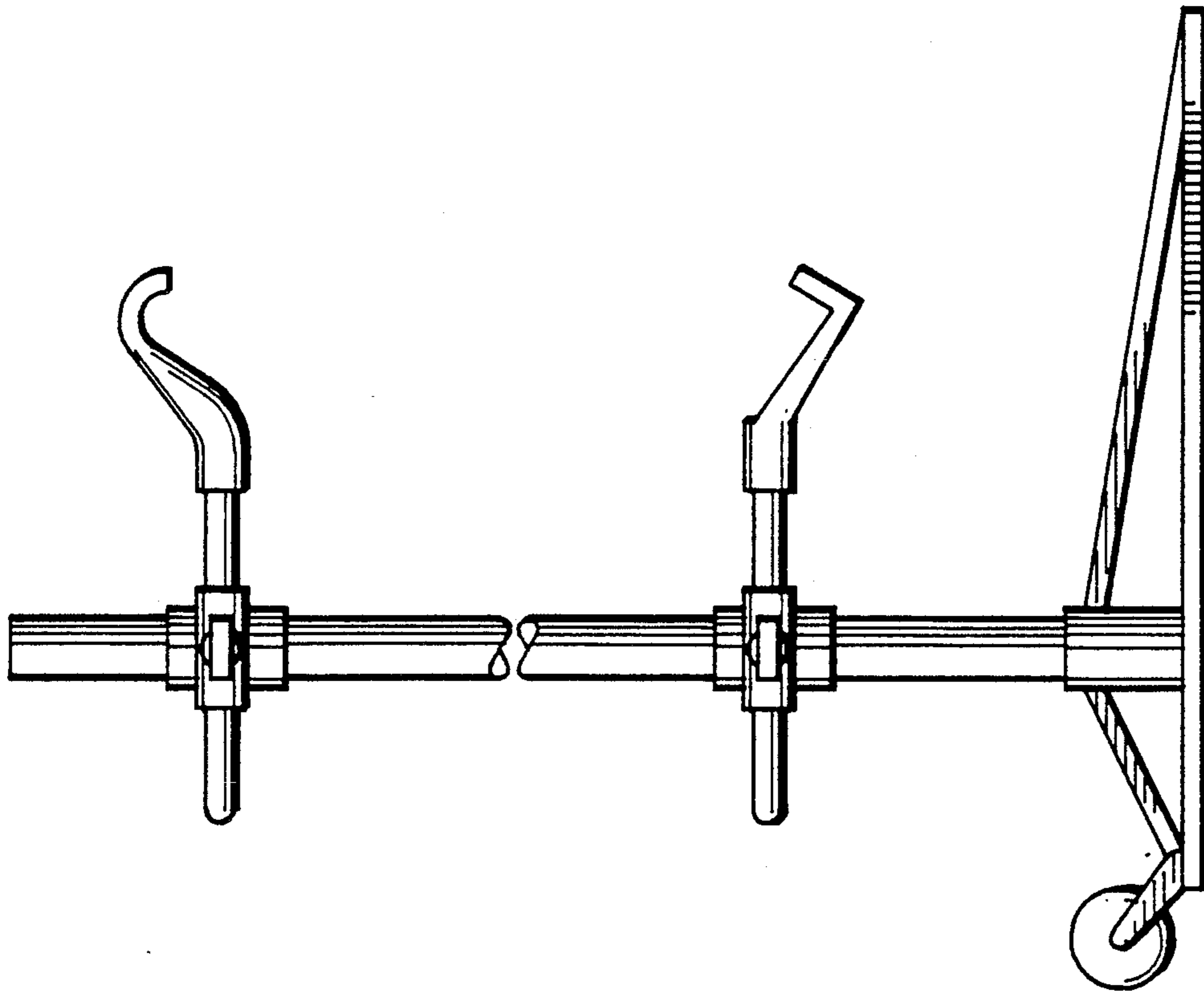


Fig. 4

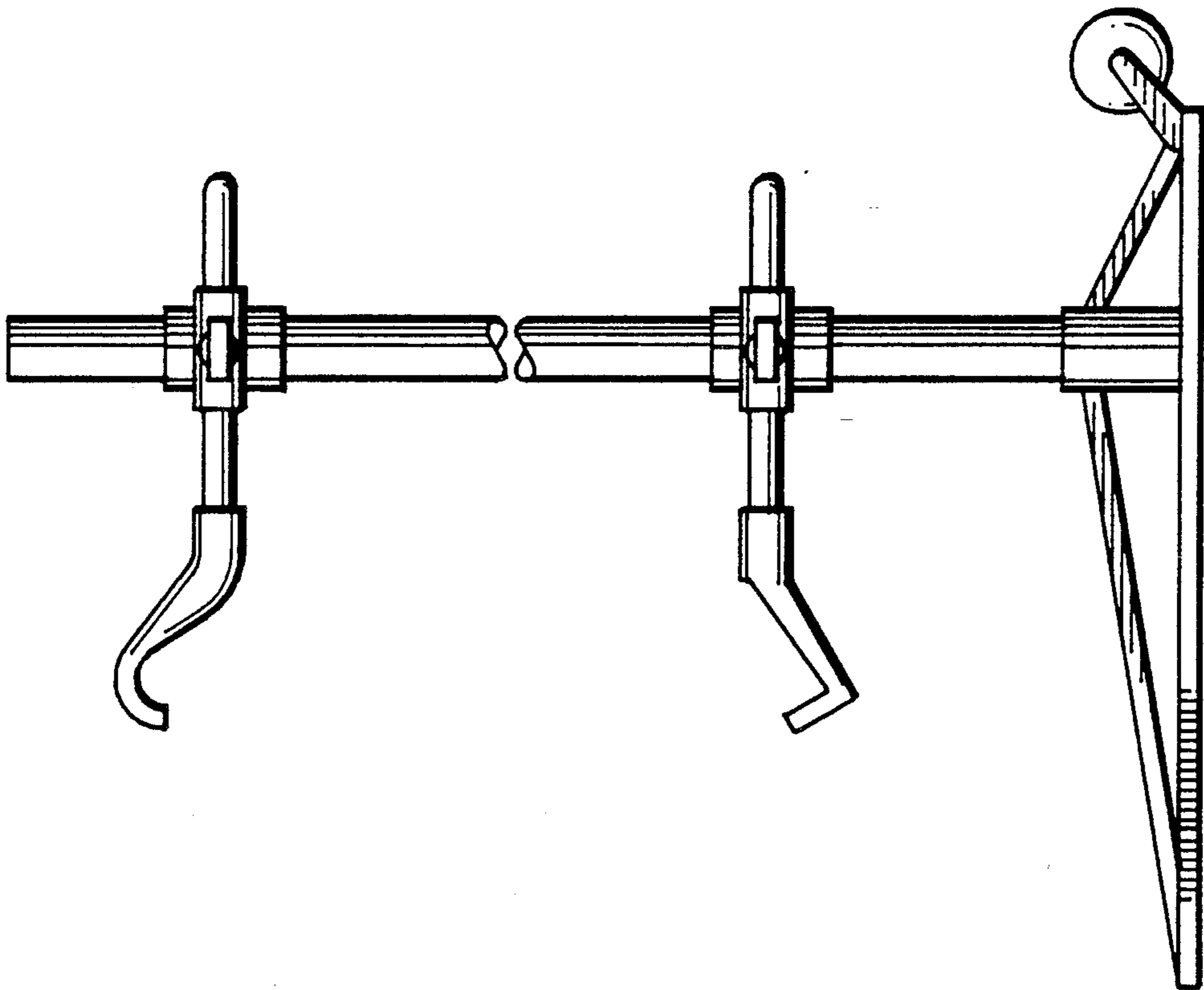


Fig. 3

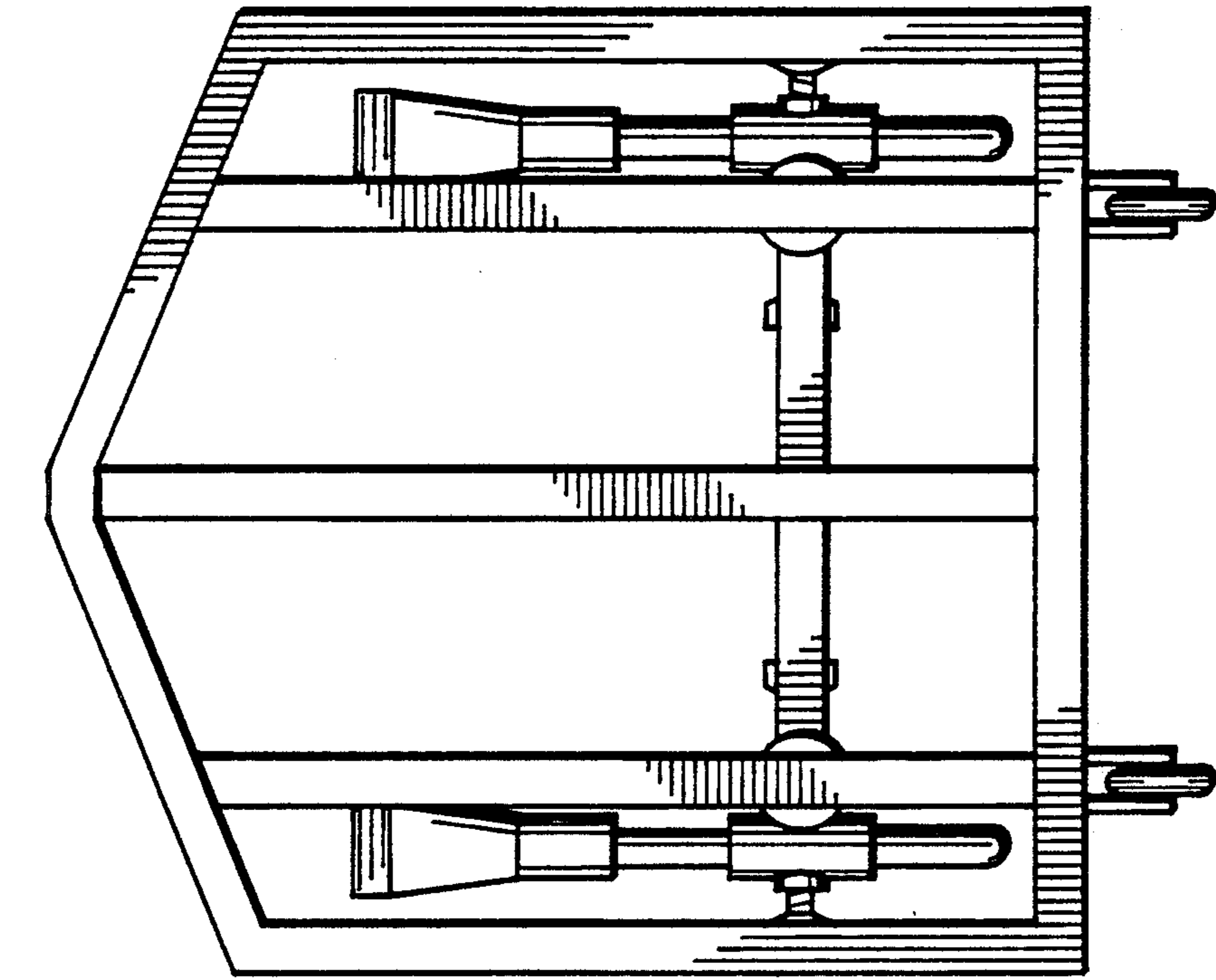


Fig. 5

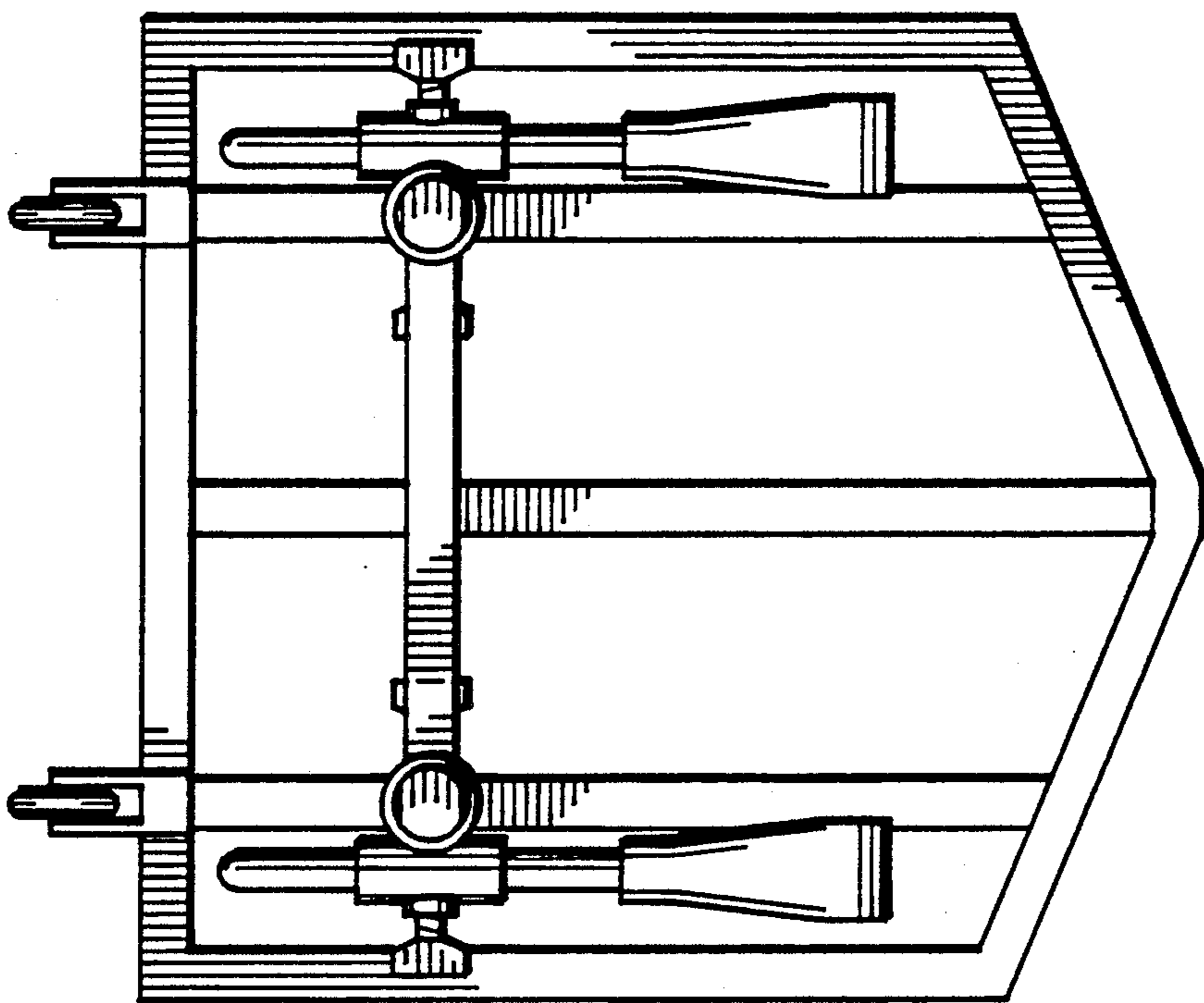


Fig. 6