



US00D325500S

United States Patent [19]

[11] Patent Number: Des. 325,500

Dennis et al.

[45] Date of Patent: ** Apr. 21, 1992

[54] VACUUM SEAL CRACKING TOOL FOR JARS

Primary Examiner—Terry A. Pfeffer
Attorney, Agent, or Firm—Marjama & Pincelli

[76] Inventors: James W. Dennis; Vonda J. Dennis,
both of 78 Valley Crest Rd.,
Rochester, N.Y. 14616

[57] CLAIM

The ornamental design for the vacuum seal cracking tool for jars, as shown and described.

[**] Term: 14 Years

DESCRIPTION

[21] Appl. No.: 562,961

FIG. 1 is a top plan view of a vacuum seal cracking tool for jars showing our new design;

[22] Filed: Aug. 6, 1990

FIG. 2 is a side elevational view thereof;

[52] U.S. Cl. D8/33; D8/40

FIG. 3 is a bottom plan view thereof;

[58] Field of Search D8/18, 33, 40; 81/3.07,
81/3.47, 3.55; 30/409

FIG. 4 is a sectional view taken along line 4—4 of FIG. 3;

[56] References Cited

FIG. 5 is a sectional view taken along line 5—5 of FIG. 3;

U.S. PATENT DOCUMENTS

FIG. 6 is a top plan view of an alternate embodiment of FIG. 1;

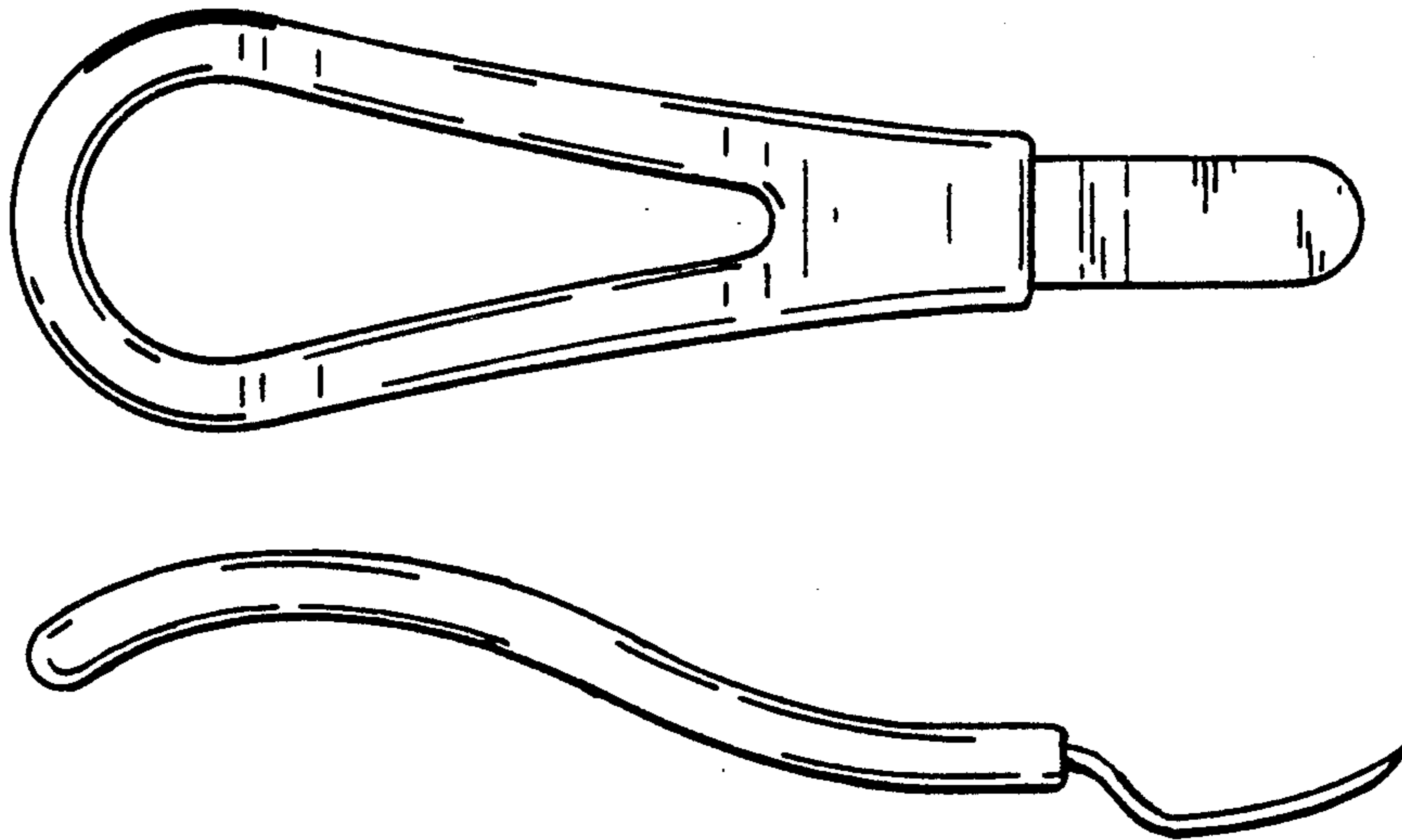
D. 31,398	8/1899	Koch	81/3.07	X
D. 126,253	4/1941	Smiley	D8/18	
819,455	5/1906	Read	30/409	
1,277,818	9/1918	Anderson		
1,963,007	6/1934	Week		
2,503,683	4/1950	Perkins		
2,571,401	10/1951	Williams		

FIG. 7 is a side elevational view of FIG. 6;

FIG. 8 is a bottom plan view of FIG. 6;

FIG. 9 is a sectional view taken along line 9—9 of FIG. 8; and,

FIG. 10 is a sectional view taken along line 10—10 of FIG. 8.



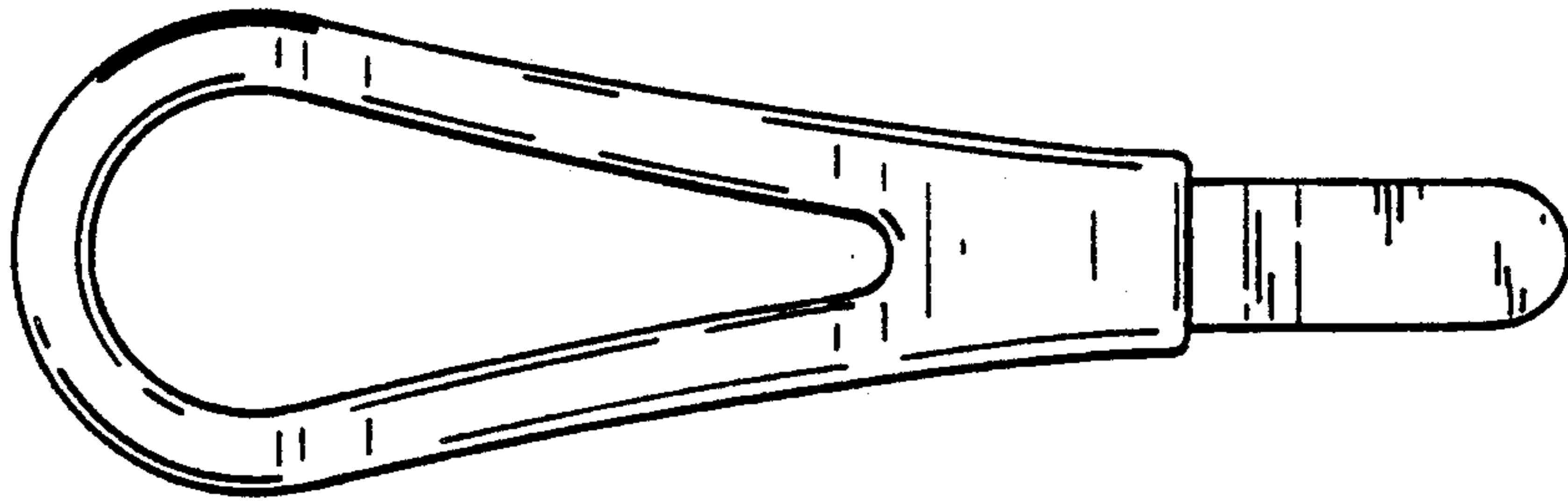


FIG. 1

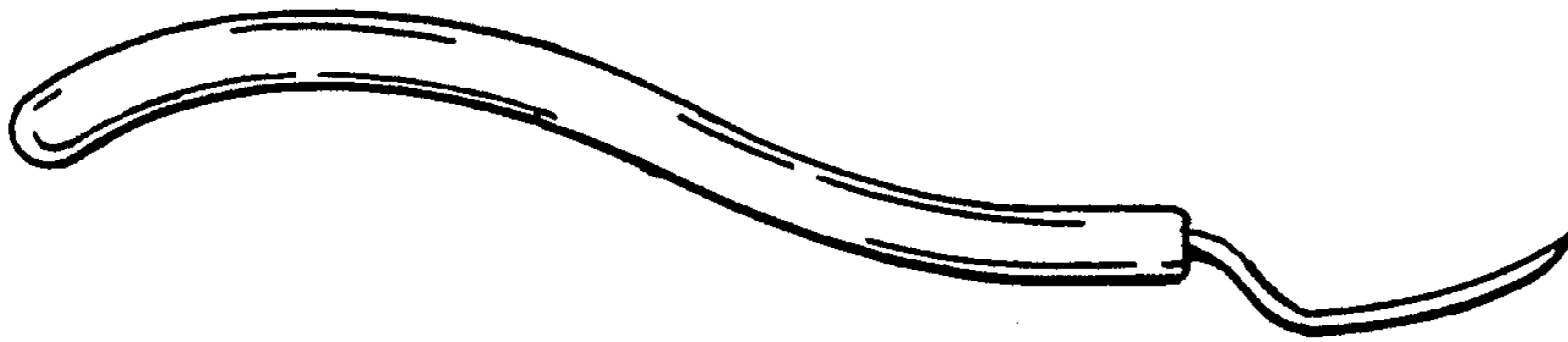


FIG. 2

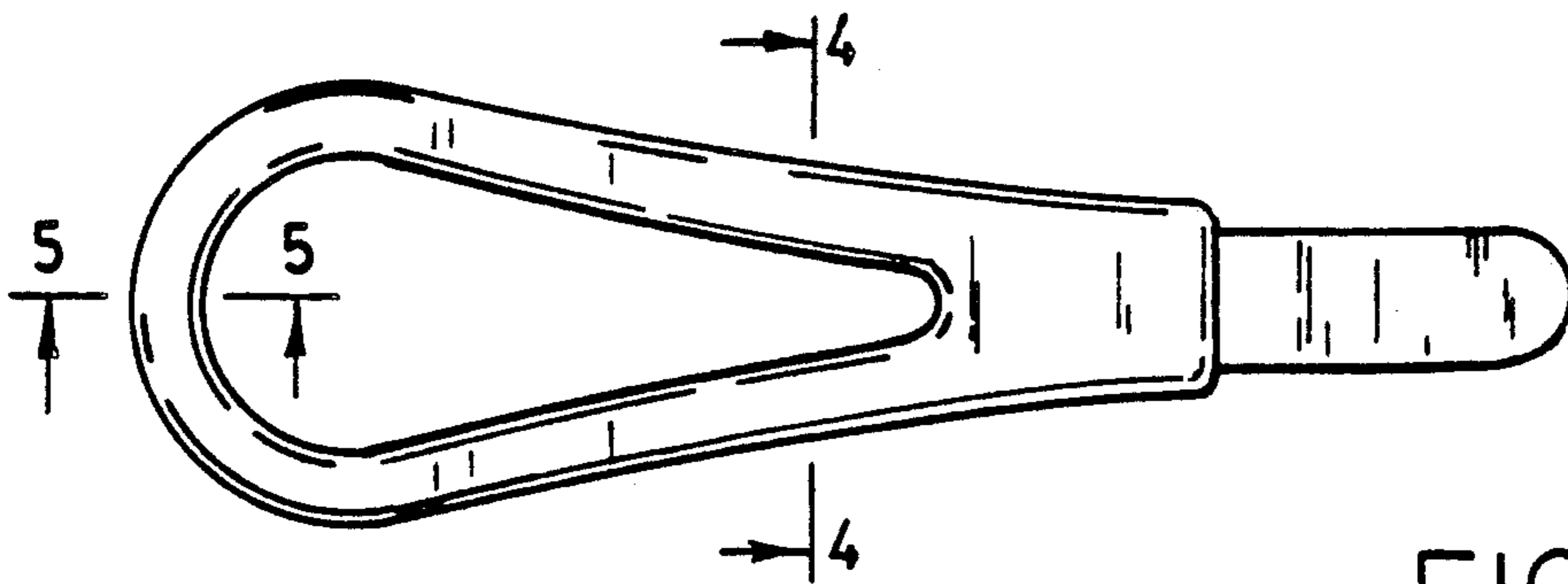


FIG. 3



FIG. 5



FIG. 4

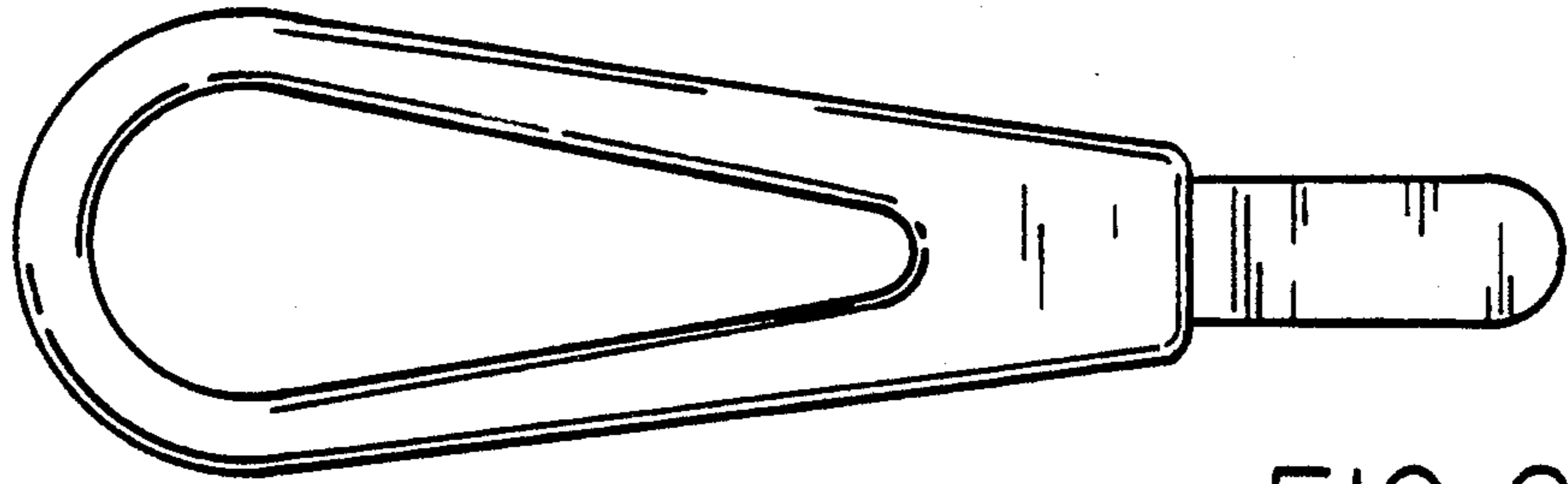


FIG. 6

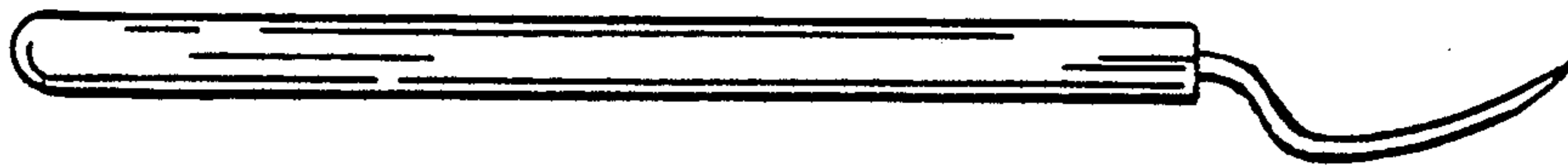


FIG. 7

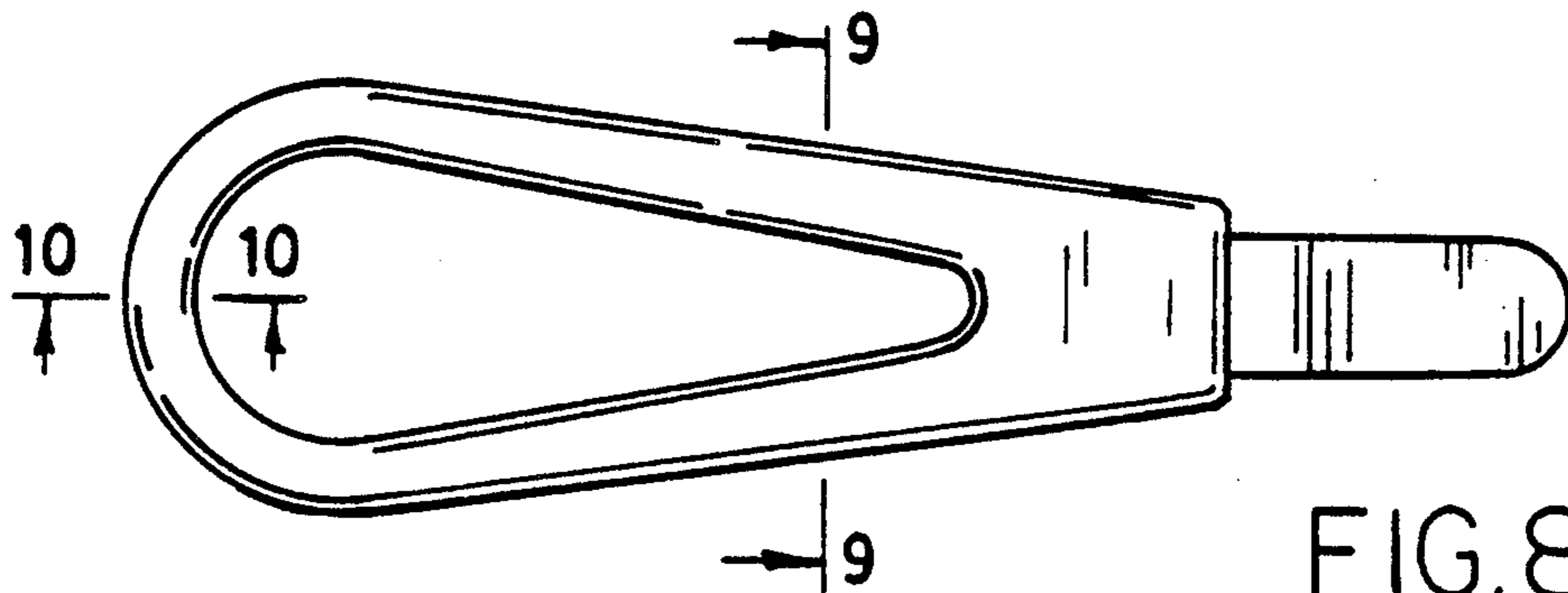


FIG. 8



FIG. 10



FIG. 9