



US00D325499S

# United States Patent [19]

[11] Patent Number: **Des. 325,499**

**Wilder**

[45] Date of Patent: **\*\* Apr. 21, 1992**

[54] **COMBINED CAN AND BOTTLE OPENER**

[76] Inventor: **Colin B. Wilder**, 17-19 Hugh Ryan Drive, Garbutt, Queensland, 4814, Australia

[\*\*] Term: **14 Years**

[21] Appl. No.: **550,706**

[22] Filed: **Jul. 10, 1990**

[30] **Foreign Application Priority Data**

Jan. 12, 1990 [AU] Australia ..... 116/90

[52] U.S. Cl. .... **D8/33**

[58] Field of Search ..... D8/18, 33, 40; 81/3.07, 81/3.4, 3.45, 3.55

[56] **References Cited**

**U.S. PATENT DOCUMENTS**

D. 277,635 2/1985 Sherwood ..... D8/18

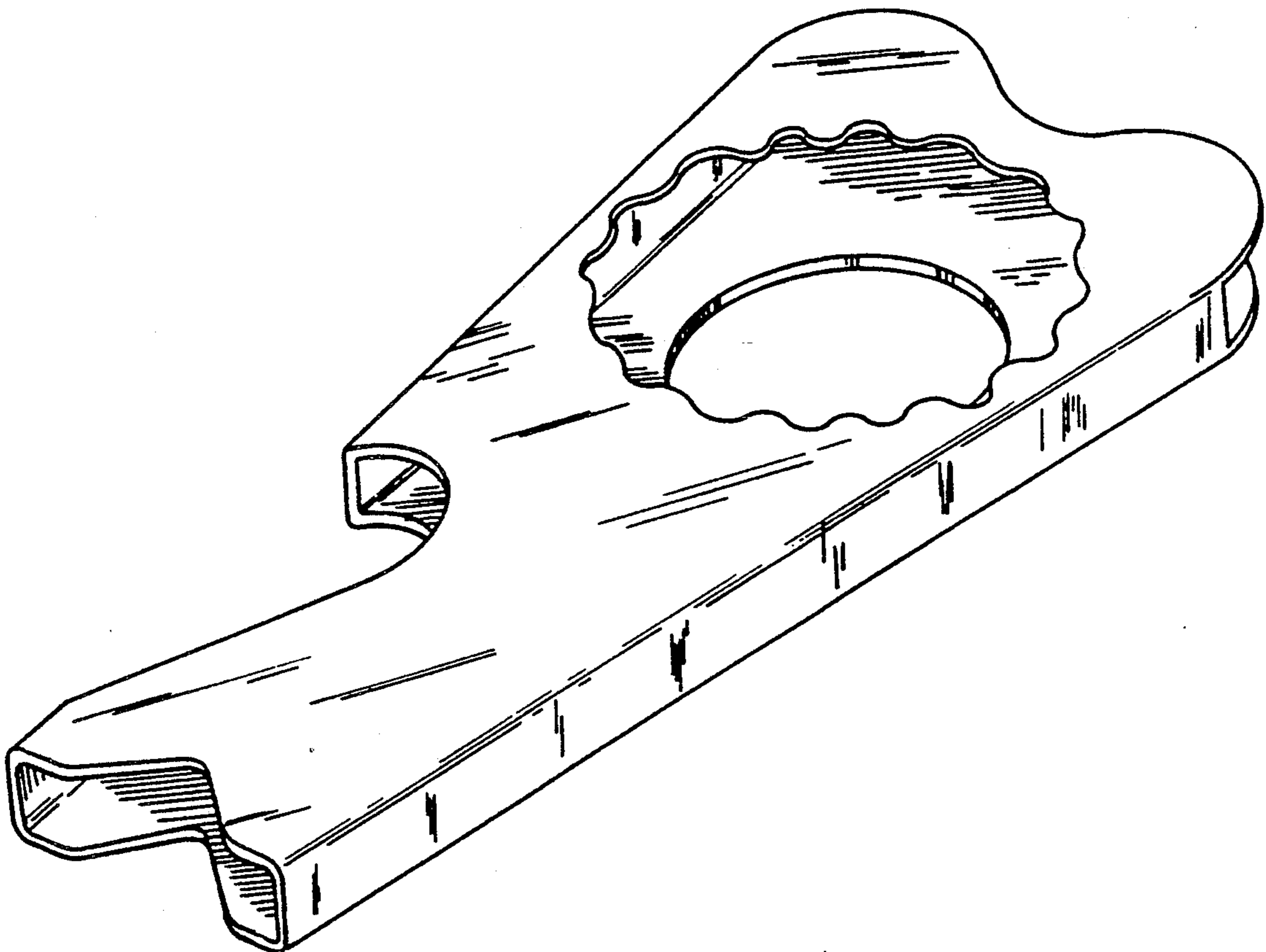
*Primary Examiner*—Terry A. Pfeffer  
*Attorney, Agent, or Firm*—William H. Eilberg

[57] **CLAIM**

The ornamental design for a combined can and bottle opener, as shown and described.

**DESCRIPTION**

FIG. 1 is a top plan view of a combined can and bottle opener showing my new design;  
FIG. 2 is a bottom plan view thereof;  
FIG. 3 is a right side elevational view thereof;  
FIG. 4 is a left side elevational view thereof;  
FIG. 5 is a front elevational view thereof;  
FIG. 6 is a rear elevational view thereof;  
FIG. 7 is a bottom, front perspective view thereof;  
FIG. 8 is a top, front perspective view thereof;  
FIG. 9 is a bottom, rear perspective view thereof; and,  
FIG. 10 is a top, rear perspective view thereof.



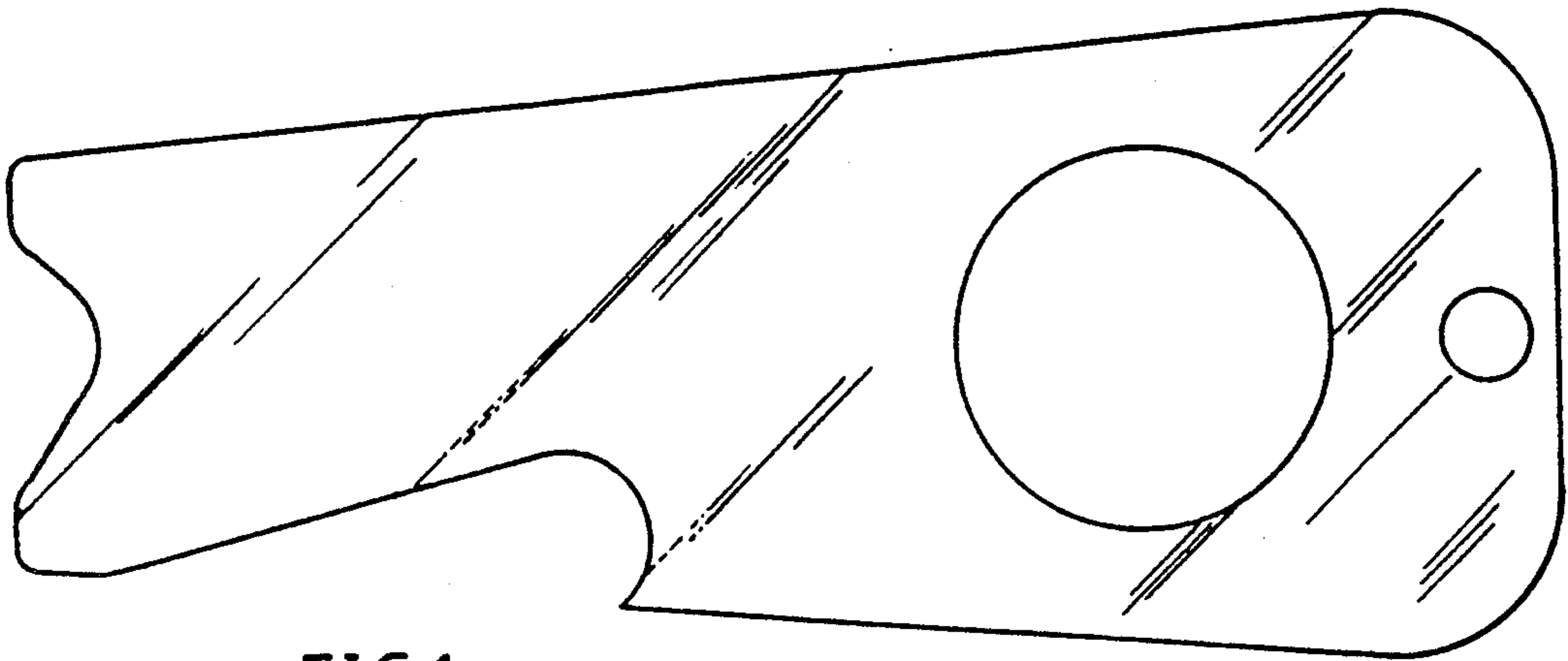


FIG. 1

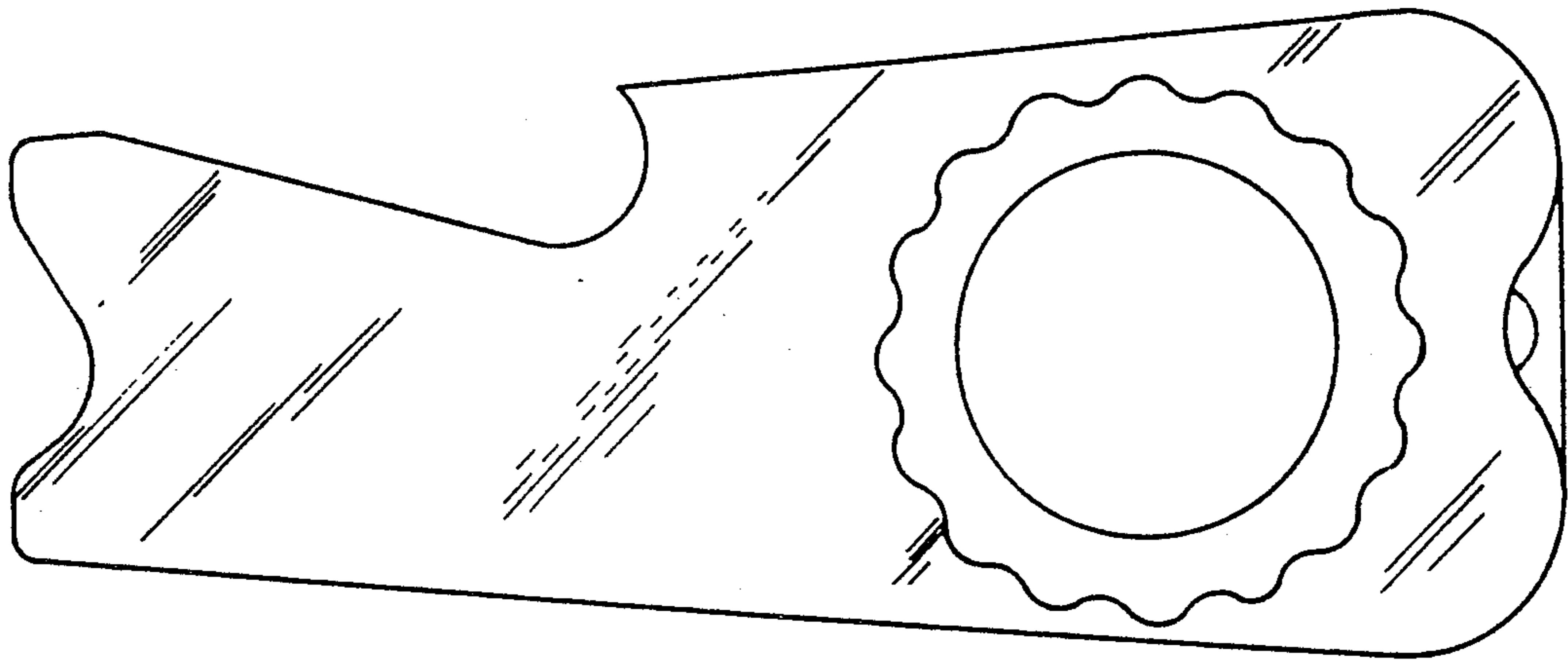


FIG. 2

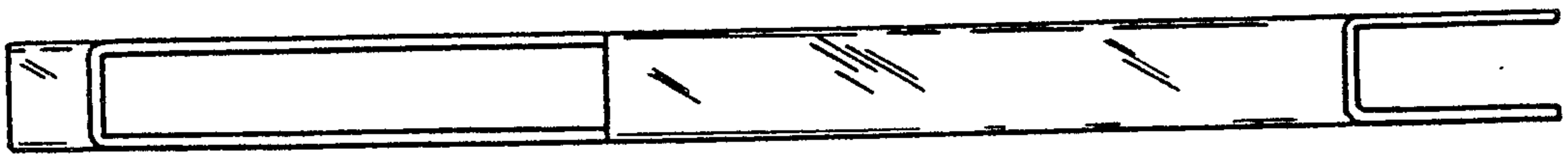


FIG. 3

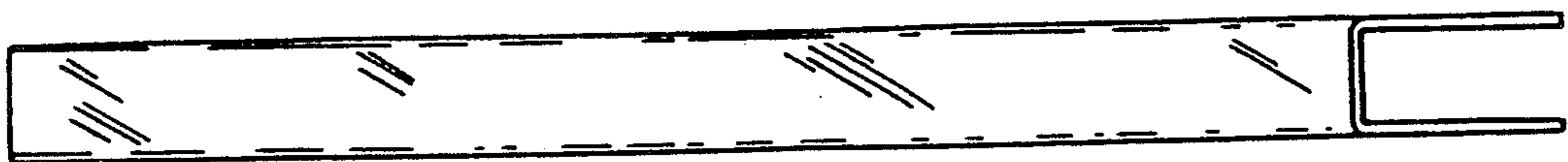


FIG. 4

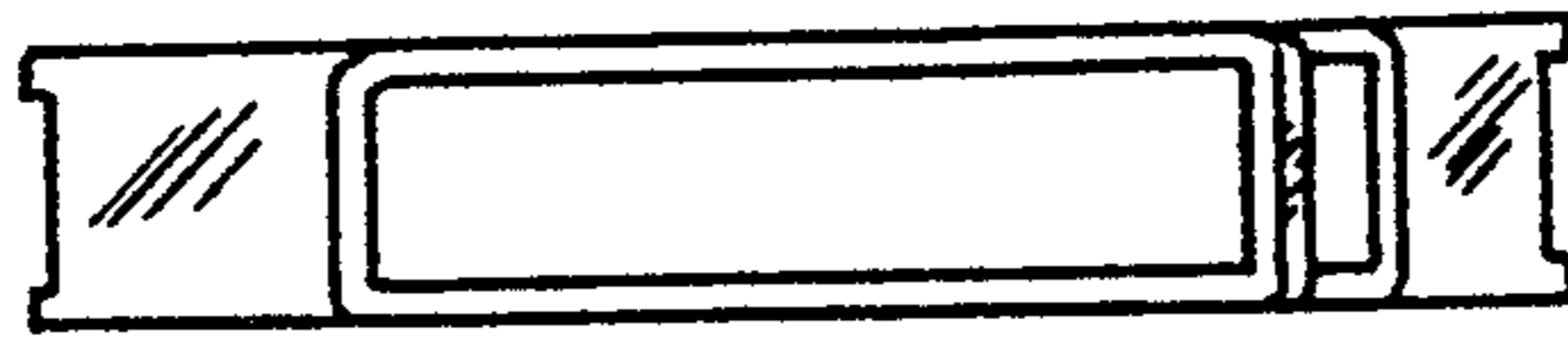


FIG. 5

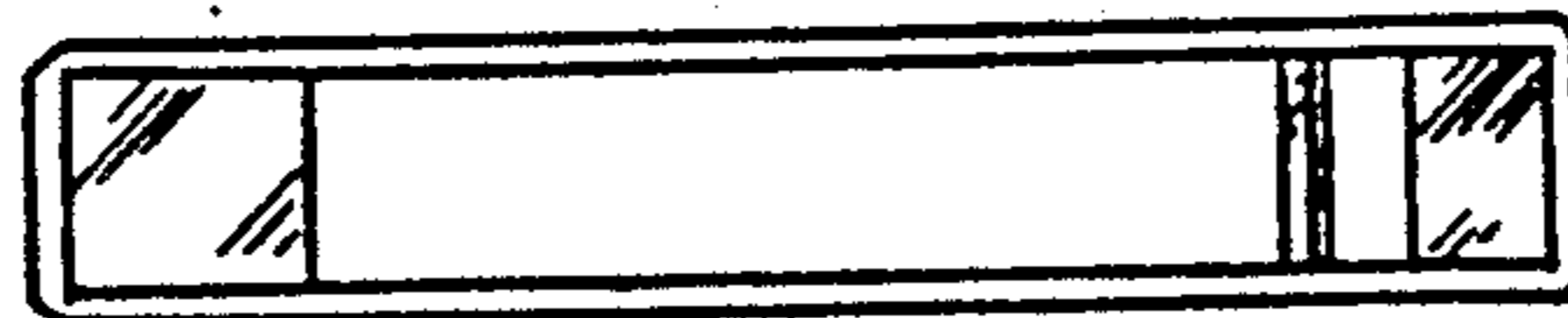
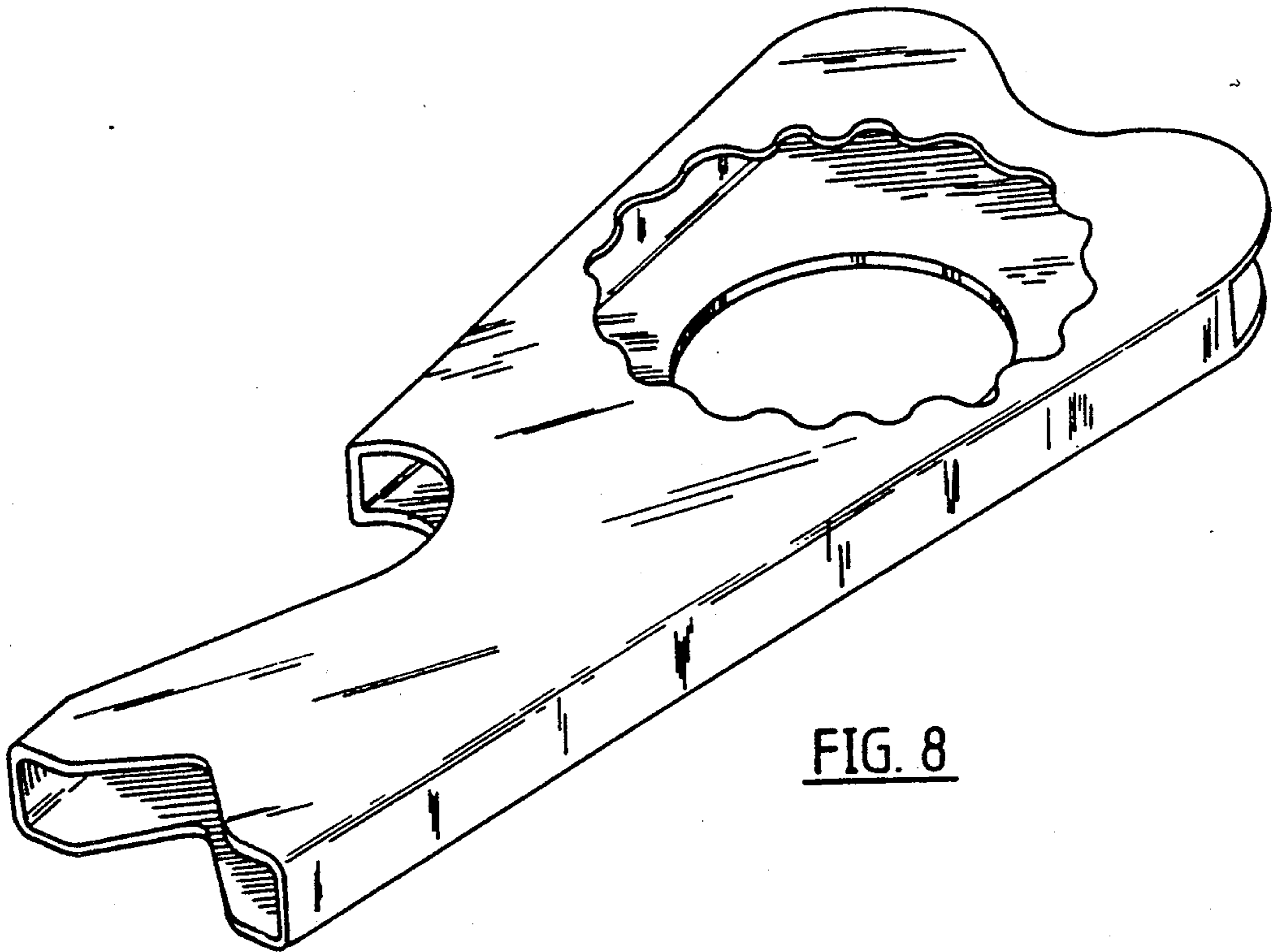
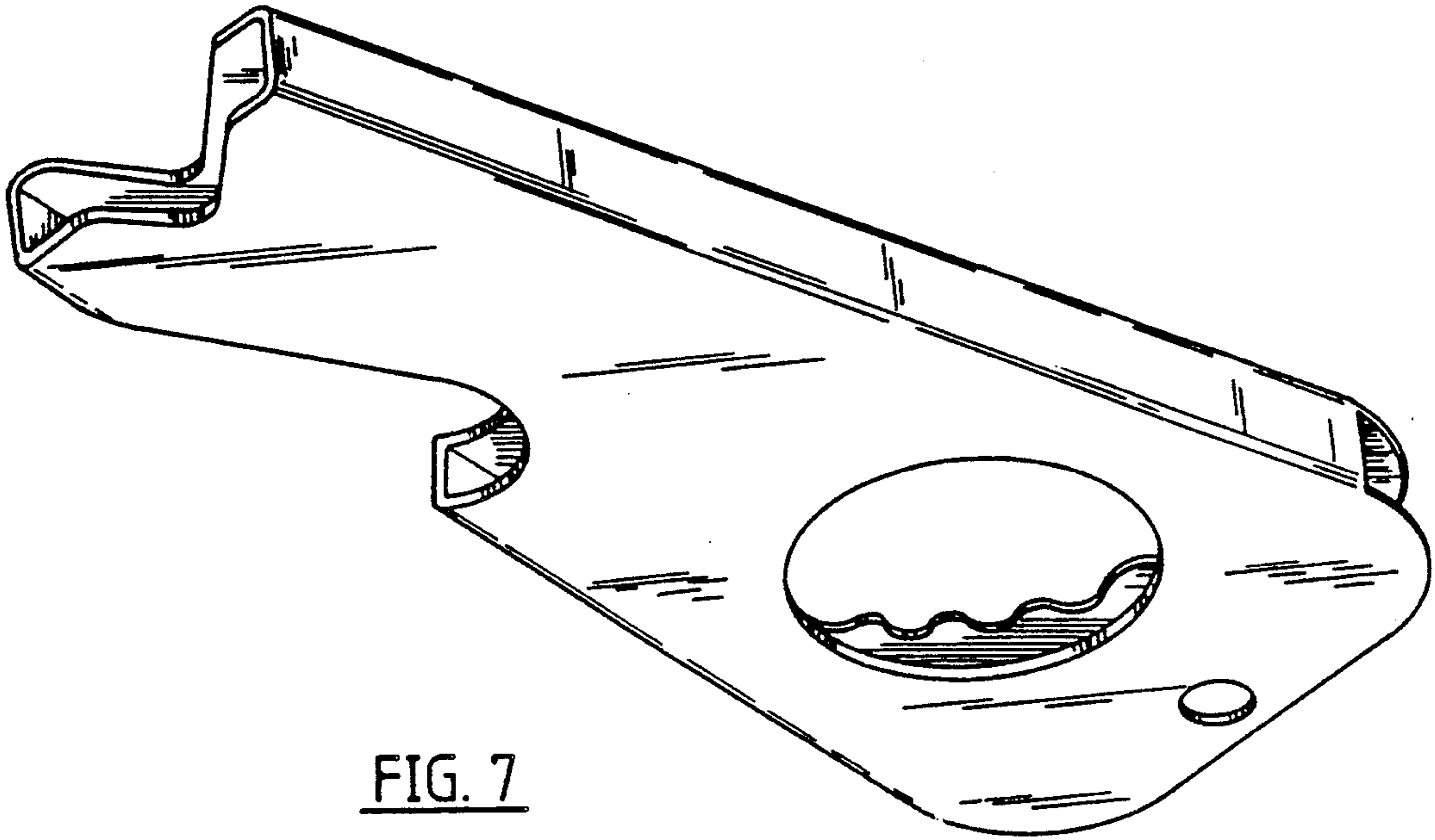


FIG. 6



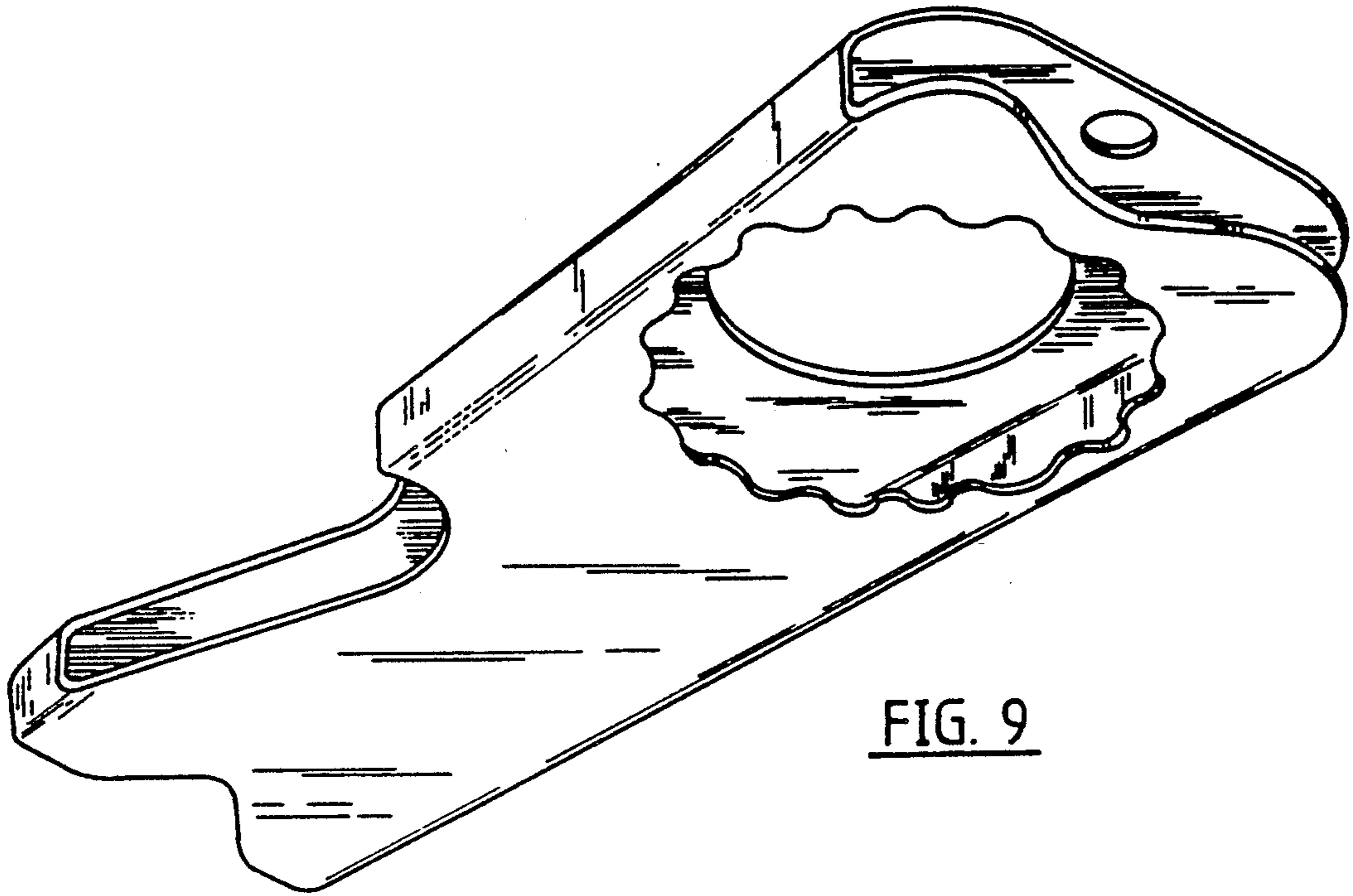


FIG. 9

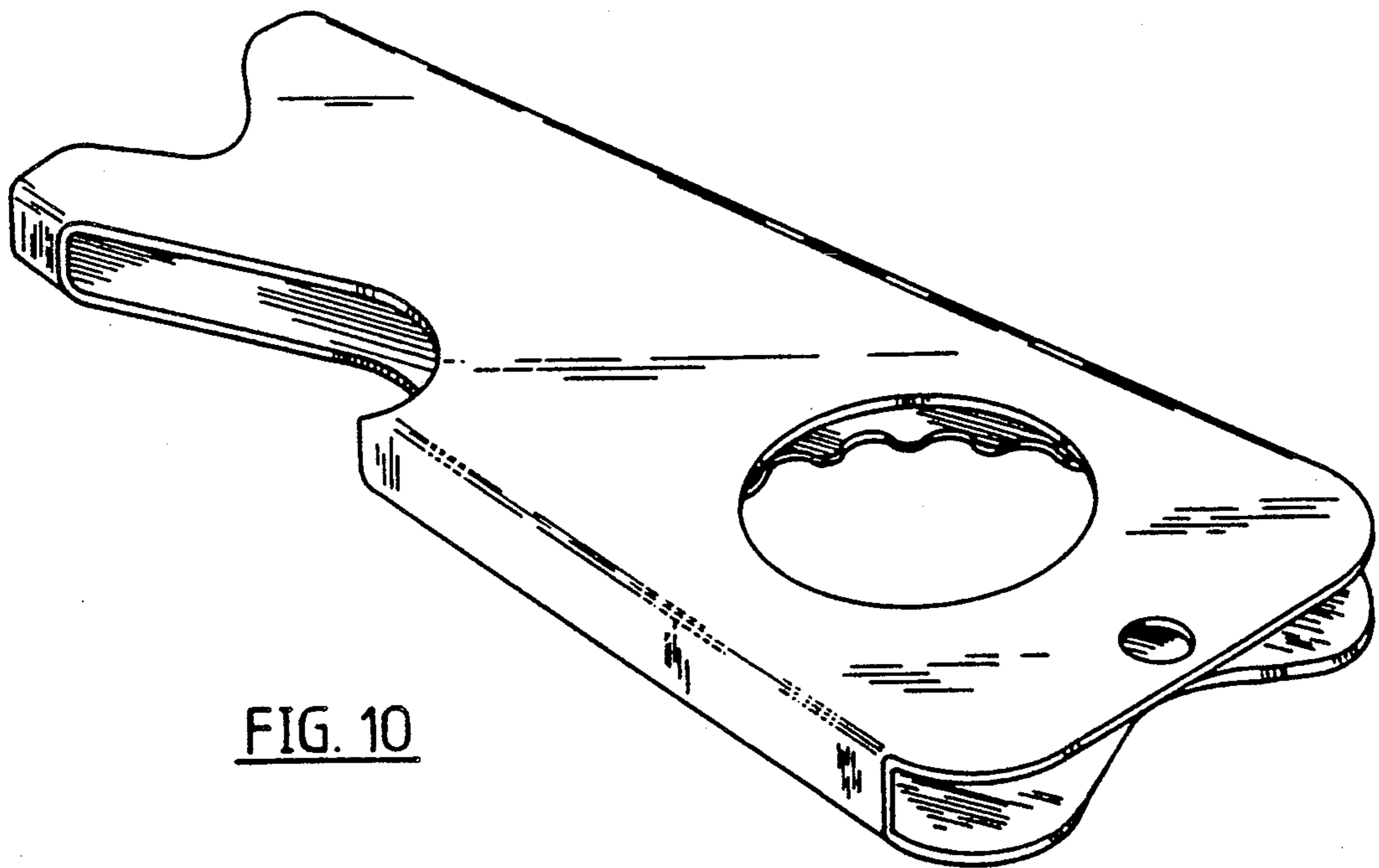


FIG. 10