



US00D325497S

# United States Patent [19]

[11] Patent Number: **Des. 325,497**

Albertson

[45] Date of Patent: **\*\* Apr. 21, 1992**

[54] CAP FUNNEL

[76] Inventor: **David V. Albertson**, 2100 Shadywood Rd., Wayzata, Minn. 55391

[\*\*] Term: **14 Years**

[21] Appl. No.: **515,286**

[22] Filed: **Apr. 27, 1990**

[52] U.S. Cl. .... **D7/700; D9/434; D9/435**

[58] Field of Search ..... **D9/434, 435, 439, 440, D9/447; D7/700, 667; 215/200; 220/86.1; 141/331**

[56] **References Cited**

**U.S. PATENT DOCUMENTS**

- D. 59,232 10/1921 Kincaid ..... D7/667
- D. 123,101 10/1940 Illsche ..... D9/439
- D. 153,202 3/1949 Beller ..... D7/700

- D. 229,735 1/1974 Croyle ..... D7/700 X
- D. 268,588 4/1983 Cubbison et al. .... D7/700 X
- D. 285,179 8/1986 Browne ..... D9/435 X
- D. 310,123 8/1990 Carlson ..... D7/700 X

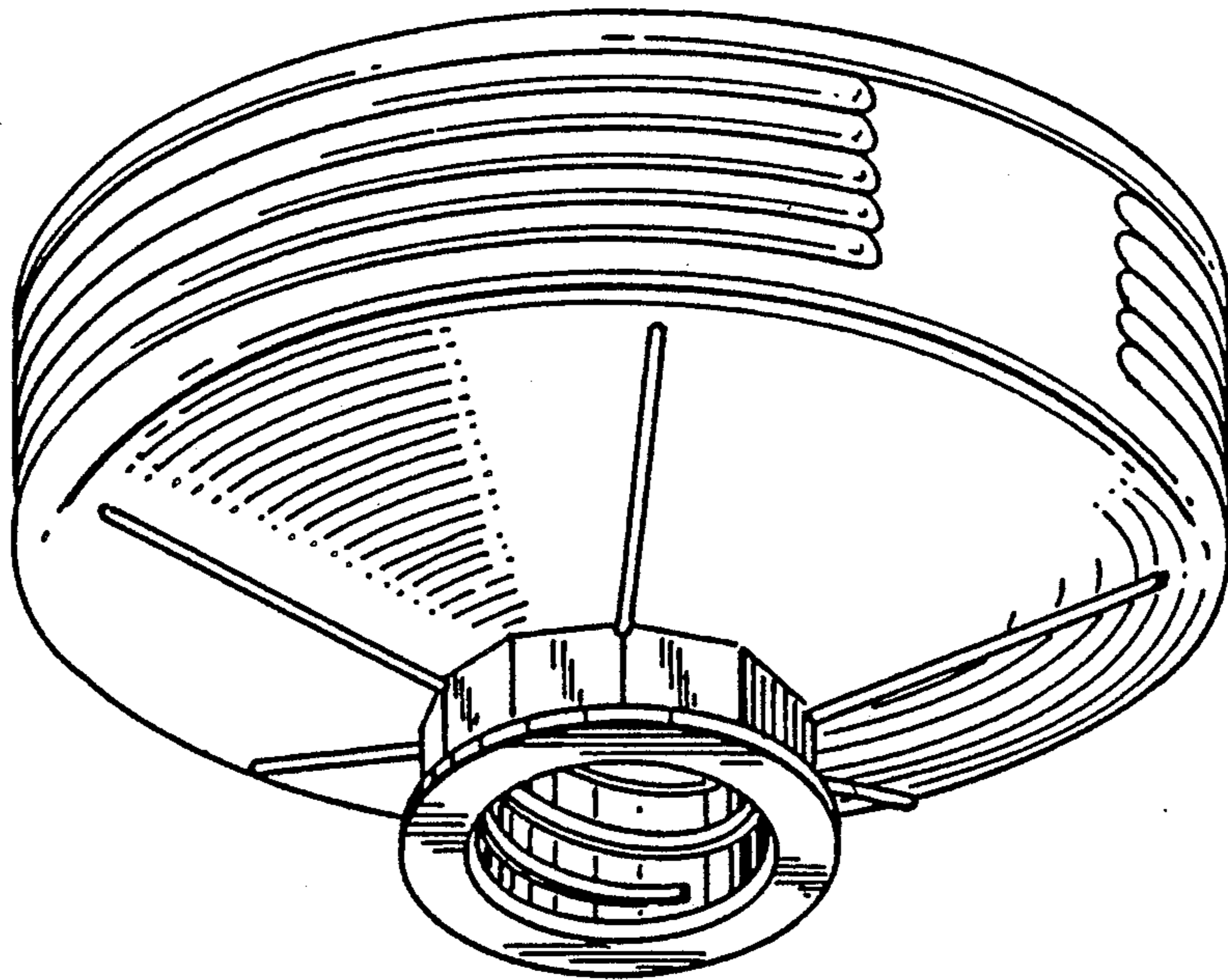
*Primary Examiner*—Bernard Ansher  
*Assistant Examiner*—Dominic Simone

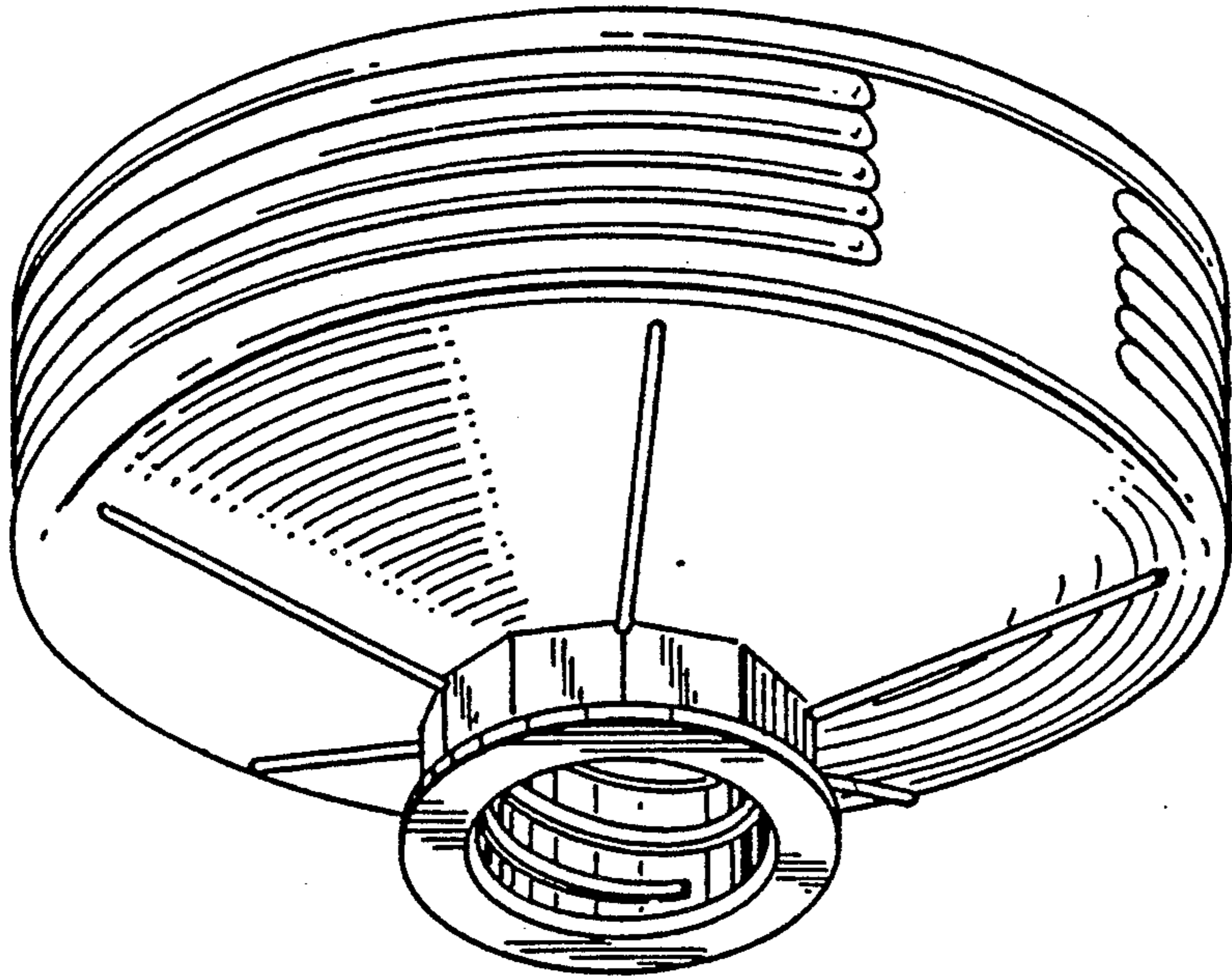
[57] **CLAIM**

The ornamental design for a cap funnel, as shown and described.

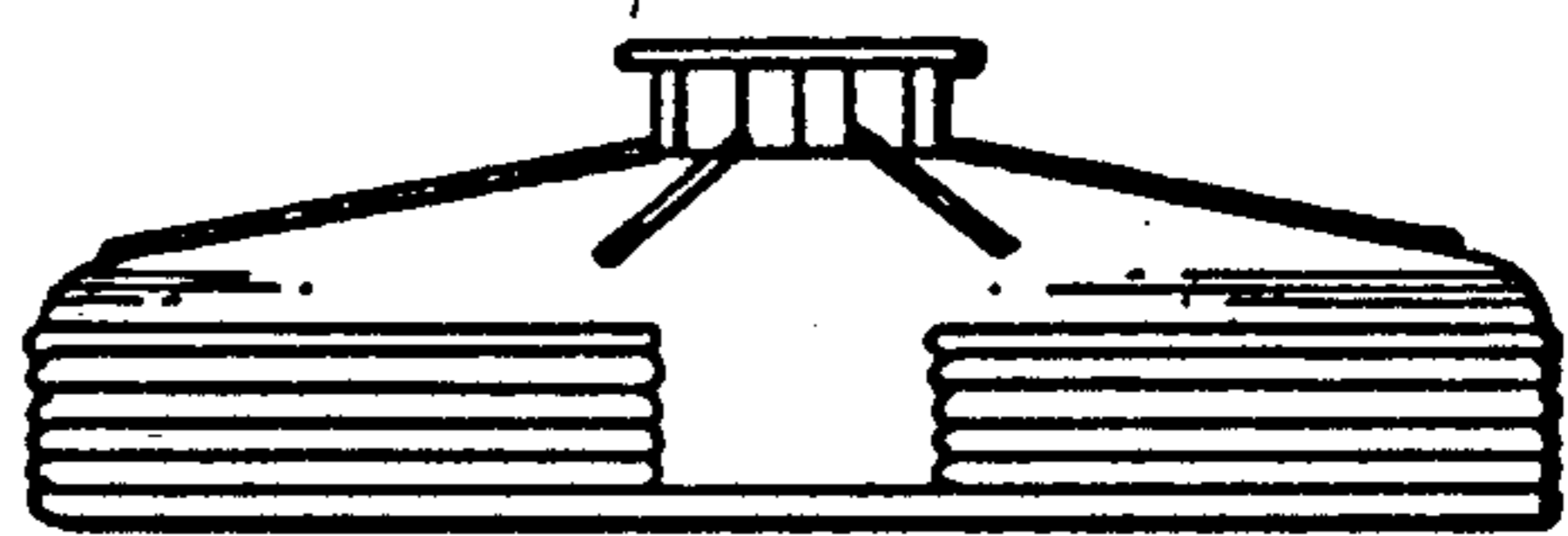
**DESCRIPTION**

FIG. 1 is a perspective view of a cap funnel showing my new design;  
 FIG. 2 is a front view thereof, the back view being a mirror image thereof;  
 FIG. 3 is a top plan view thereof;  
 FIG. 4 is a bottom plan view thereof; and,  
 FIG. 5 is a side view thereof, the opposite side being a mirror image thereof.

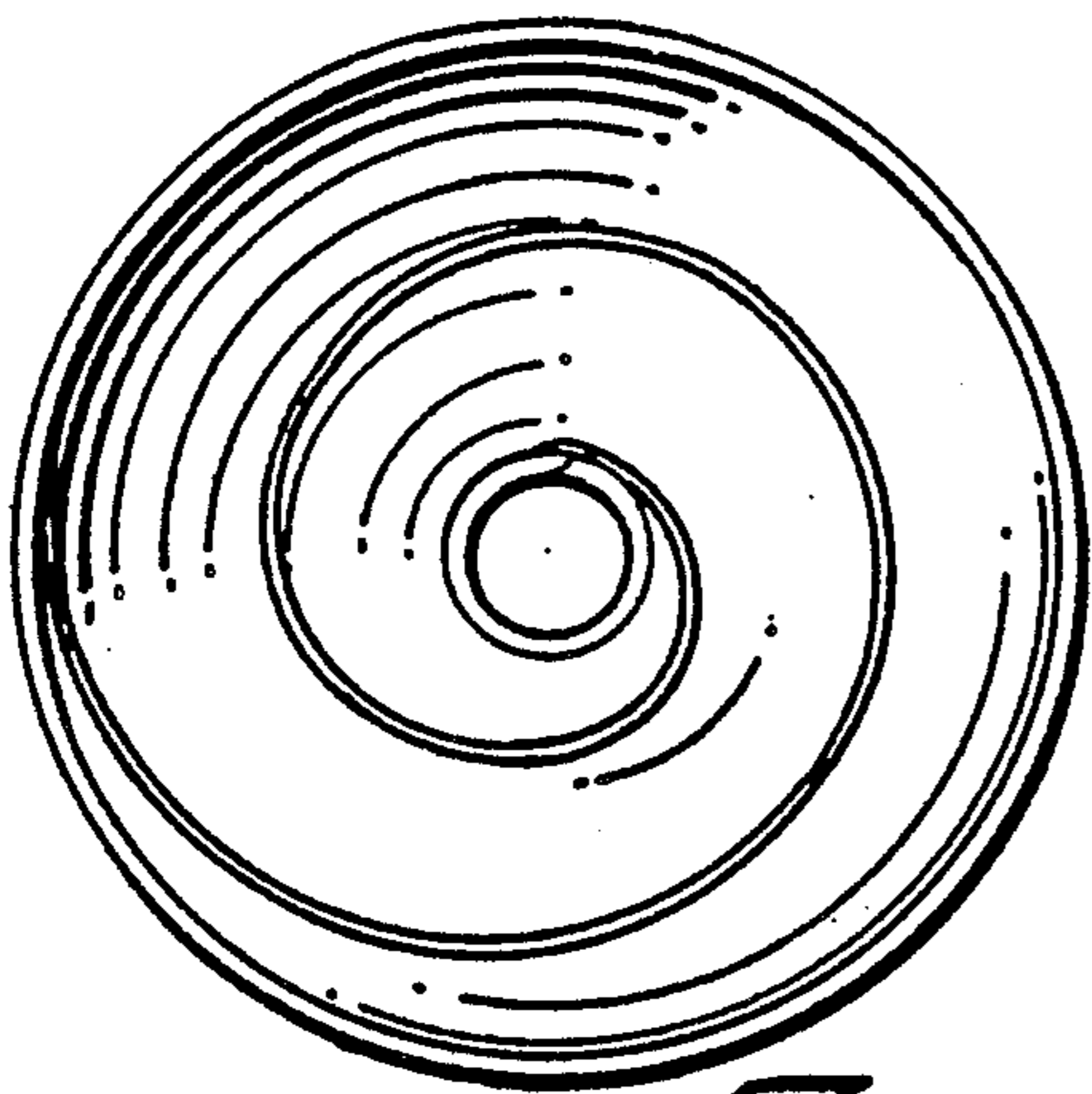




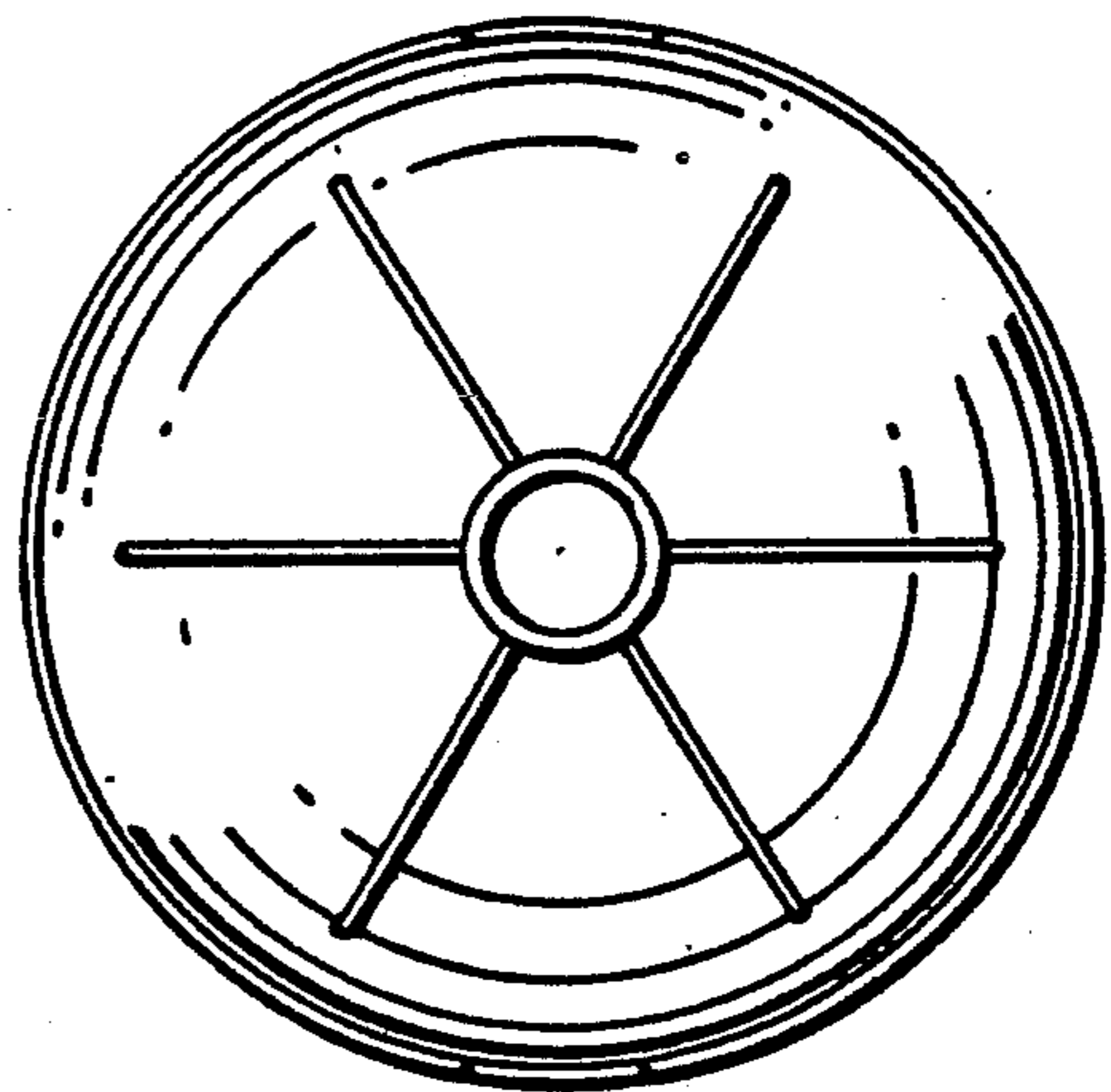
*Fig. 1*



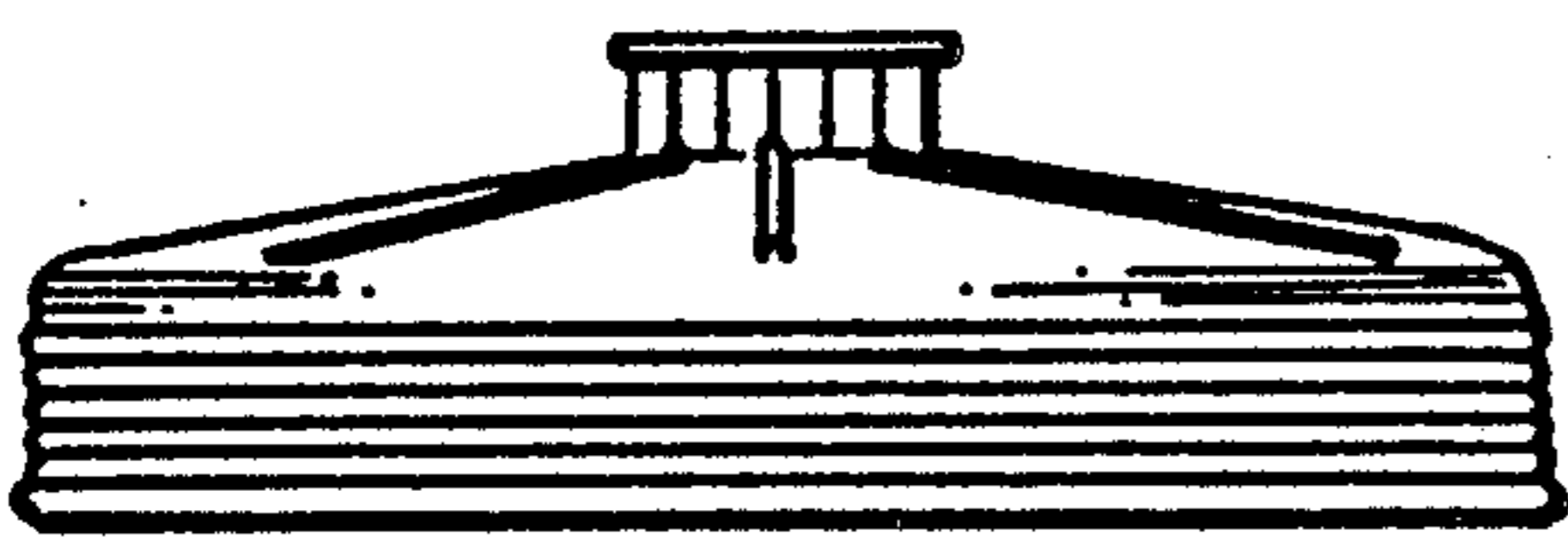
*Fig. 2*



*Fig. 3*



*Fig. 4*



*Fig. 5*