



US00D325490S

United States Patent [19]

[11] Patent Number: Des. 325,490

Dodgen

[45] Date of Patent: ** Apr. 21, 1992

[54] TRAILER MOUNTED BARBECUE AND BEVERAGE DISPENSER

D. 265,374 7/1982 Hamilton, Jr. D7/334
D. 284,256 6/1986 Moncrief D7/334
D. 295,136 4/1988 Cox, Jr. D7/334

[75] Inventor: John N. Dodgen, Ft. Dodge, Iowa

Primary Examiner—A. Hugo Word
Assistant Examiner—Ruth McInroy
Attorney, Agent, or Firm—Zarley, McKee, Thomte,
Voorhees & Sease

[73] Assignee: Dodgen Industries, Inc., Humboldt, Iowa

[**] Term: 14 Years

[57] CLAIM

[21] Appl. No.: 468,788

The ornamental design of a trailer mounted barbecue and beverage dispenser, as shown.

[22] Filed: Jan. 22, 1990

[52] U.S. Cl. D7/334

[58] Field of Search D7/332, 334, 336;
D12/17-19; 126/25 R, 25 A, 37 R, 39 B, 276,
268

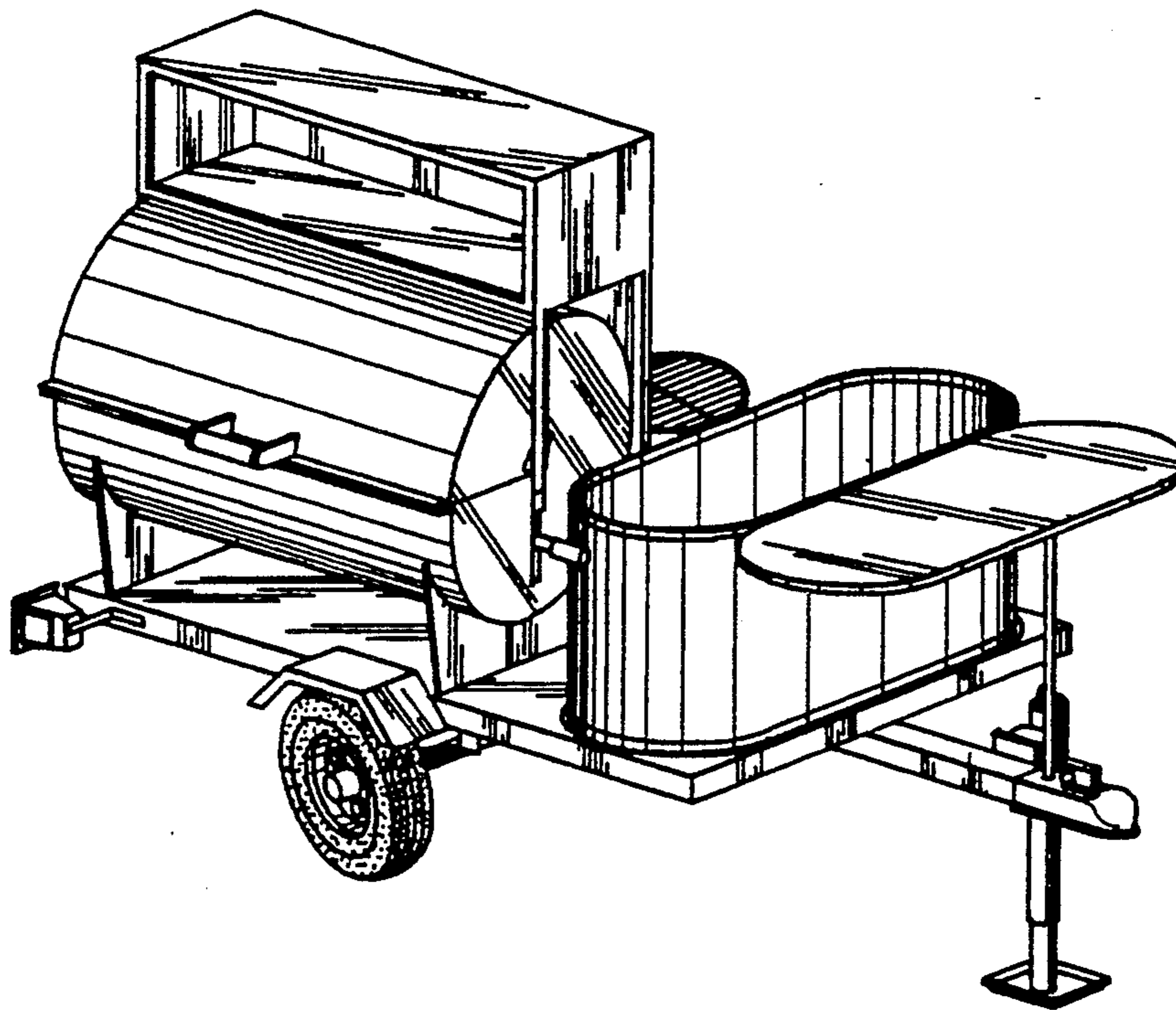
DESCRIPTION

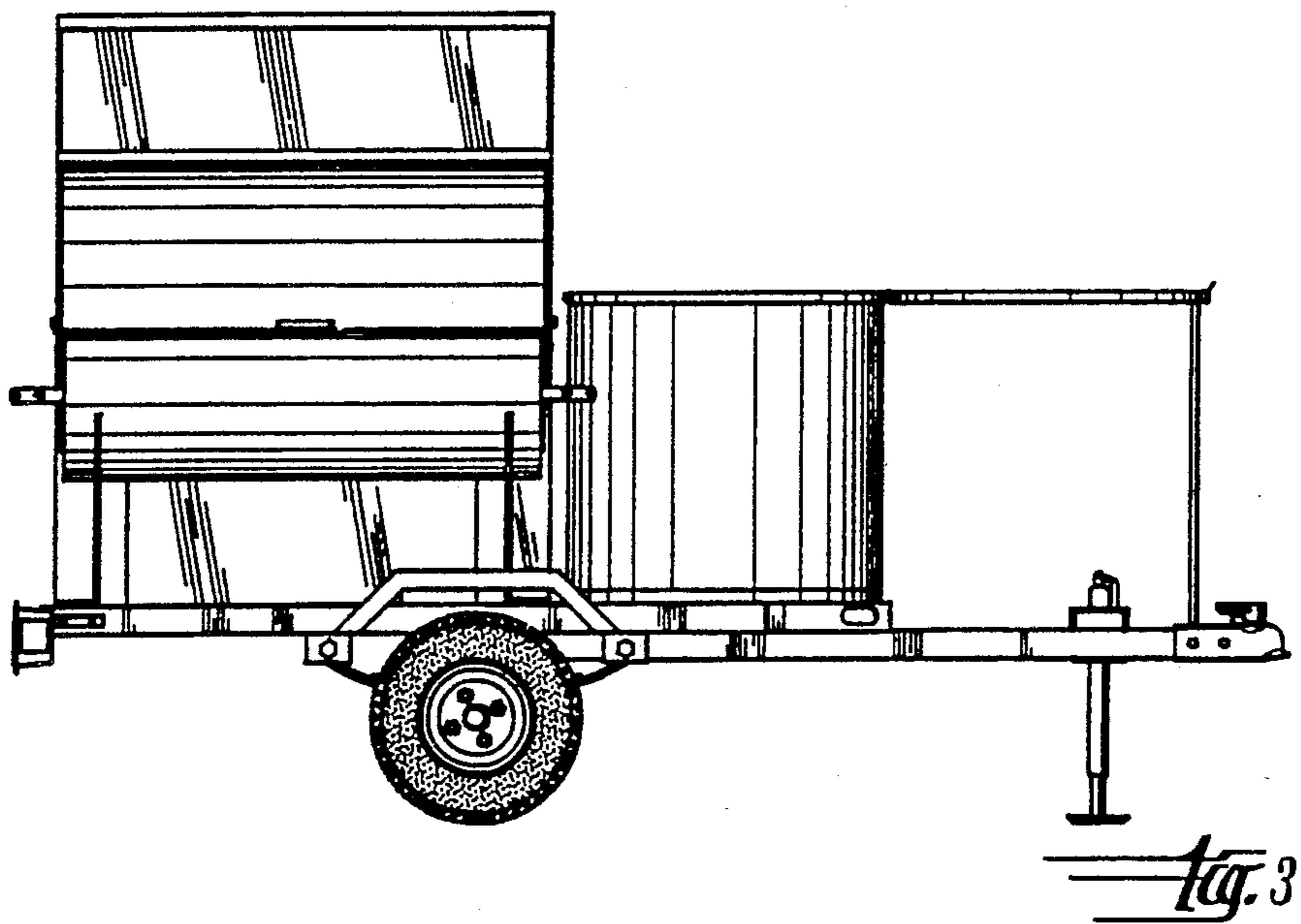
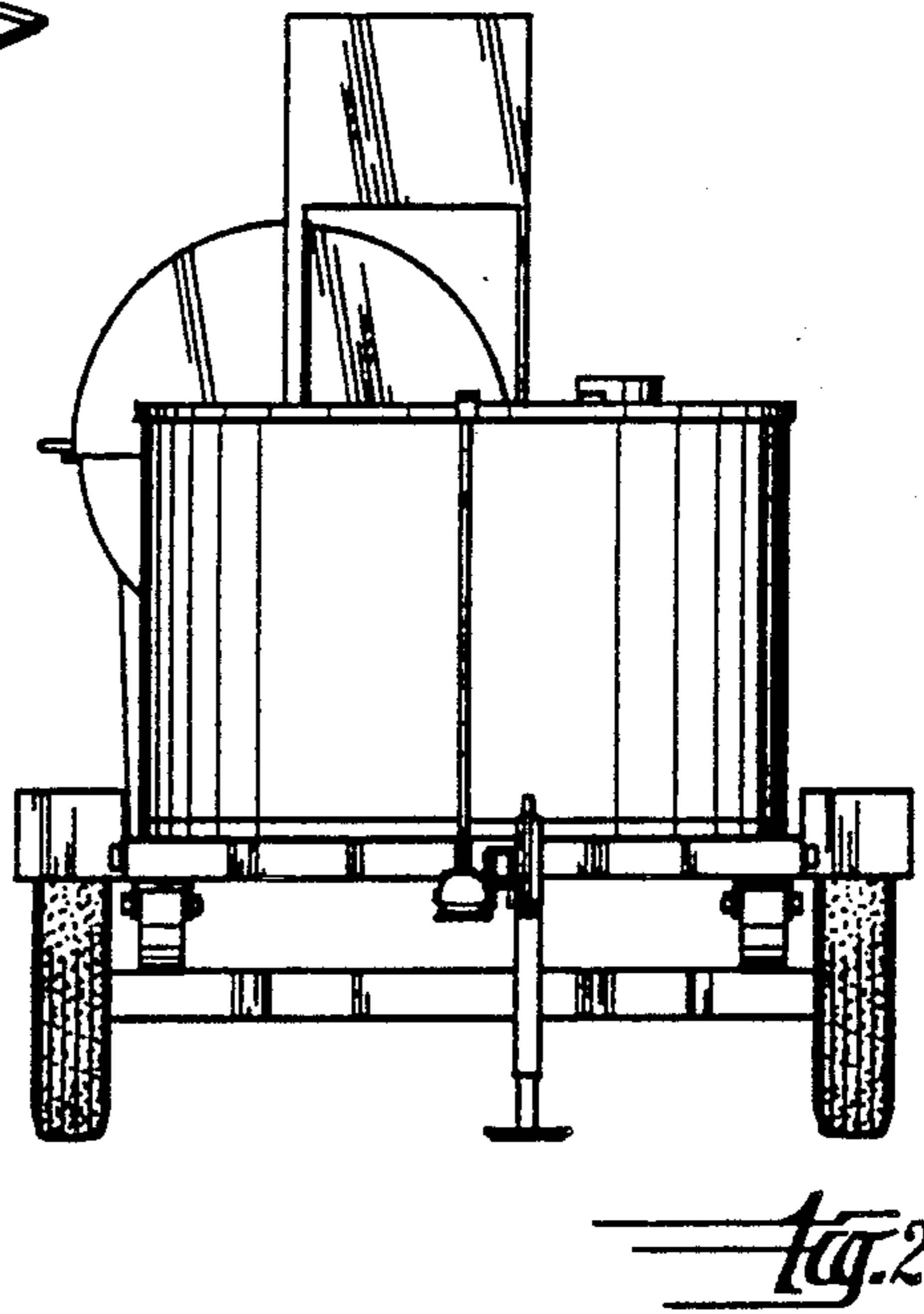
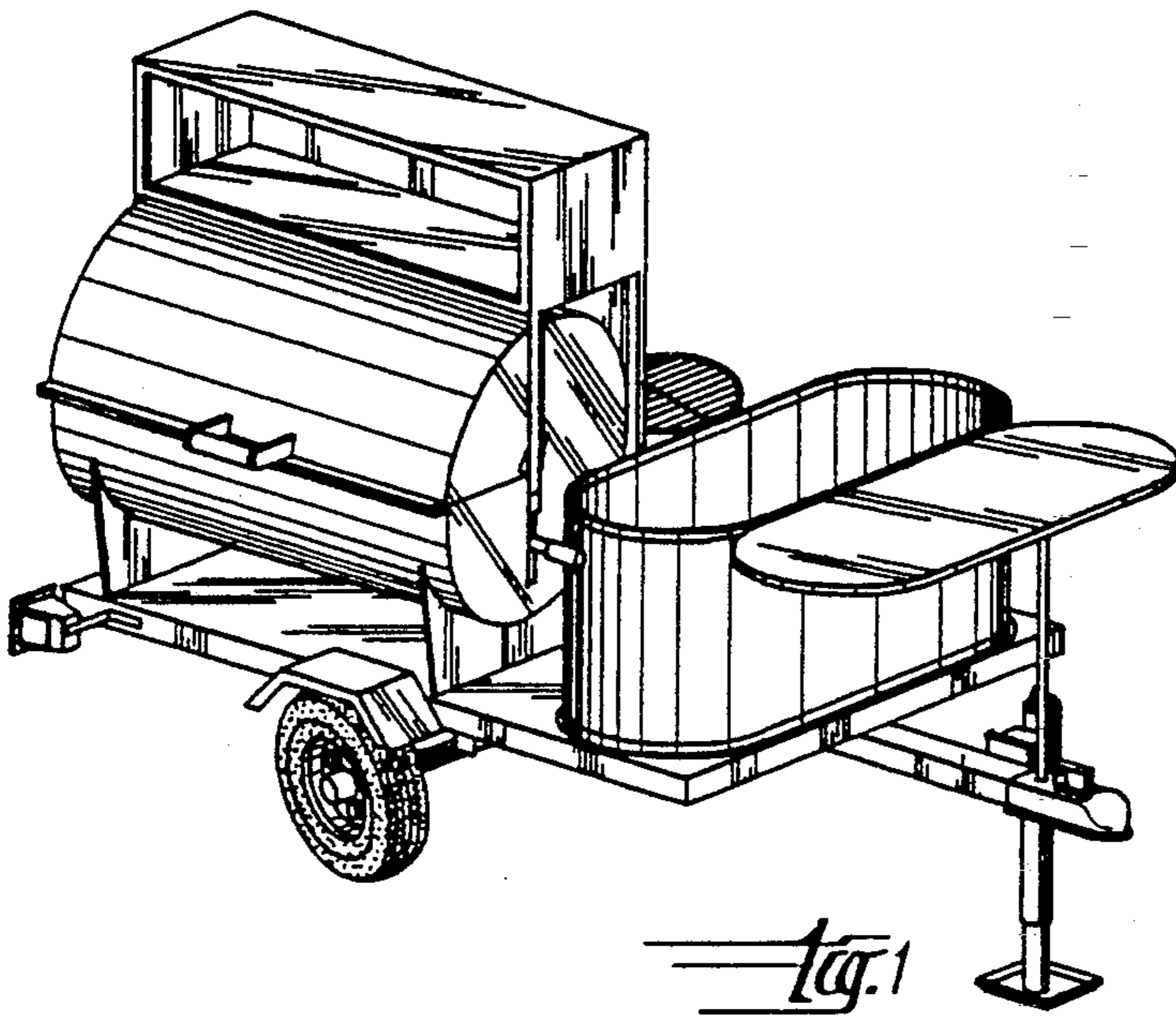
FIG. 1 is a perspective view of a trailer mounted barbecue and beverage dispenser showing my new design; FIG. 2 is a side elevational view thereof; FIG. 3 is a front elevational view thereof; FIG. 4 is a side elevational view of the opposite side of FIG. 2; FIG. 5 is a rear elevational view thereof; and, FIG. 6 is a top plan view thereof. The undisclosed bottom is plain and unornamented.

[56] References Cited

U.S. PATENT DOCUMENTS

D. 218,654 9/1970 Moncrief D7/334
D. 223,065 3/1972 Turner D7/334
D. 255,863 7/1980 Futch D7/334





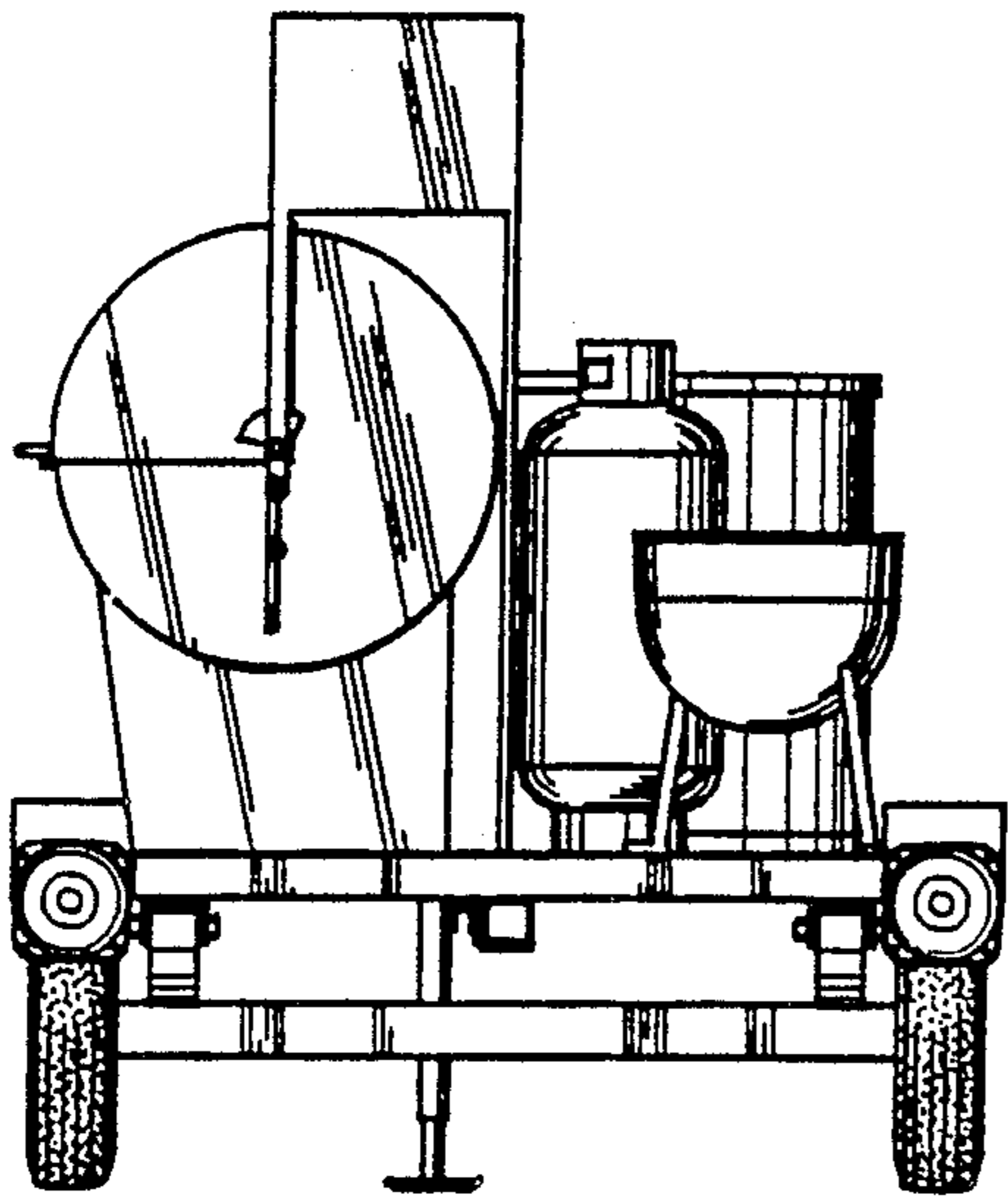


Fig. 4

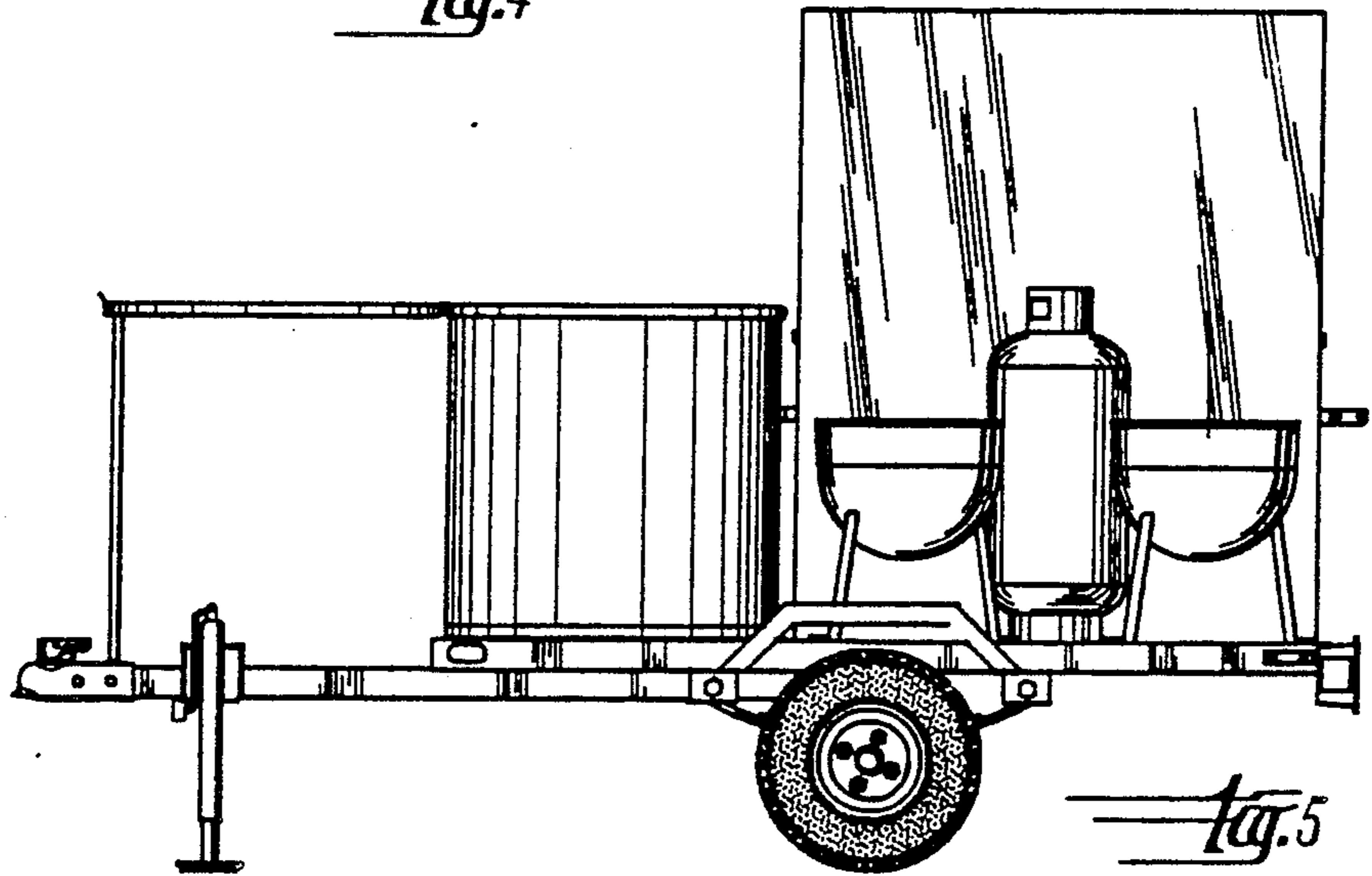


Fig. 5

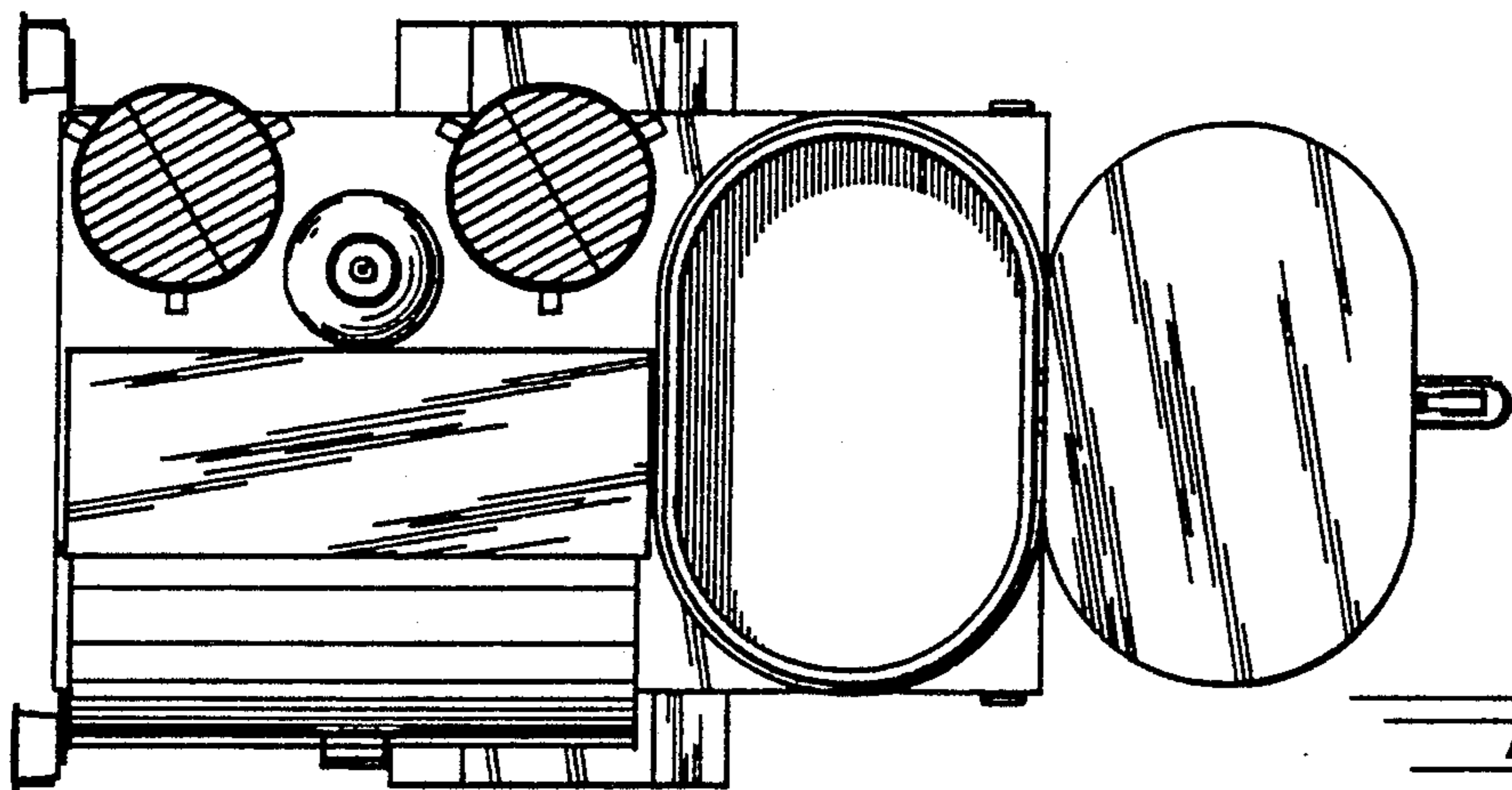


Fig. 6